



US00D355402S

United States Patent [19] Ritzenthaler

[11] Patent Number: Des. 355,402

[45] Date of Patent: ** Feb. 14, 1995

[54] SKI BOAT PYLON

5,238,200 8/1993 Ritzenthaler 242/86.5

[76] Inventor: Robert Ritzenthaler, 1181 Kempton Park, McKinney, Tex. 75069

Primary Examiner—Kay H. Chin
Attorney, Agent, or Firm—Ross, Howison, Clapp & Korn

[**] Term: 14 Years

[21] Appl. No.: 21,083

[57] CLAIM

[22] Filed: Apr. 8, 1994

The ornamental design for ski boat pylon, as shown and described.

[52] U.S. Cl. D12/317; D21/236

[58] Field of Search D12/317, 307; 114/254, 114/253, 363; D21/236

DESCRIPTION

[56] References Cited

U.S. PATENT DOCUMENTS

| | | | |
|-----------|---------|----------|---------|
| 3,890,918 | 6/1975 | Sell | 114/253 |
| 4,589,366 | 5/1986 | Eiber | 114/253 |
| 4,893,577 | 1/1990 | Jennings | 114/253 |
| 4,960,065 | 10/1990 | Junkeris | 114/254 |

FIG. 1 is a front elevational view of a ski boat pylon showing my new design, the rear elevational view being identical. The broken lines are for illustrative purposes only and form no part of the claimed design;

FIG. 2 is a side elevational view thereof, the opposite side being a mirror image thereof;

FIG. 3 is a top plan view thereof; and,

FIG. 4 is a bottom plan view thereof.

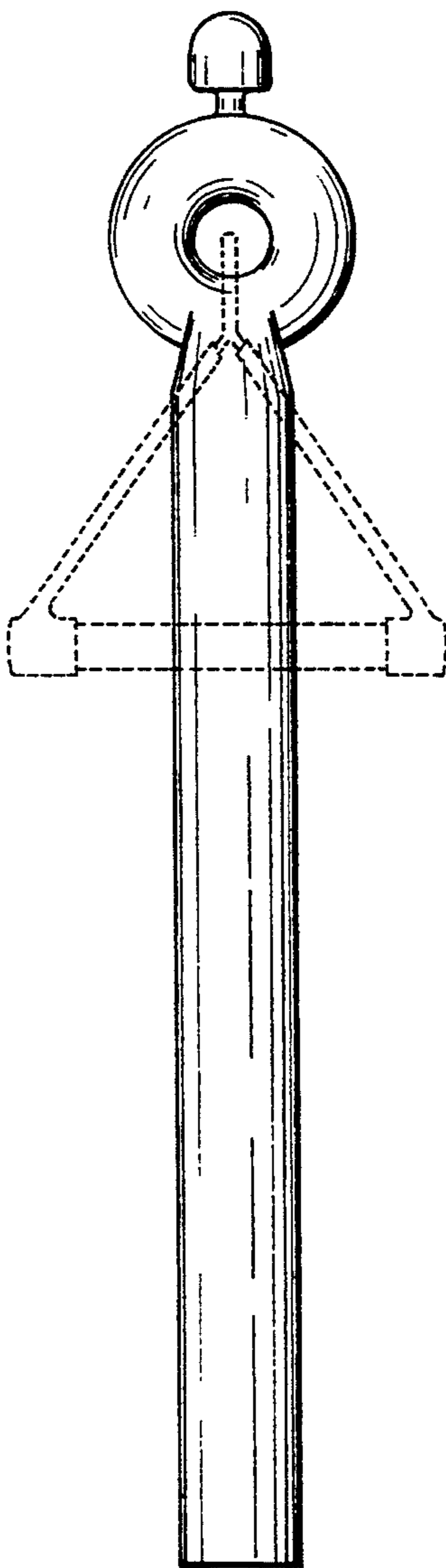




FIG. 3

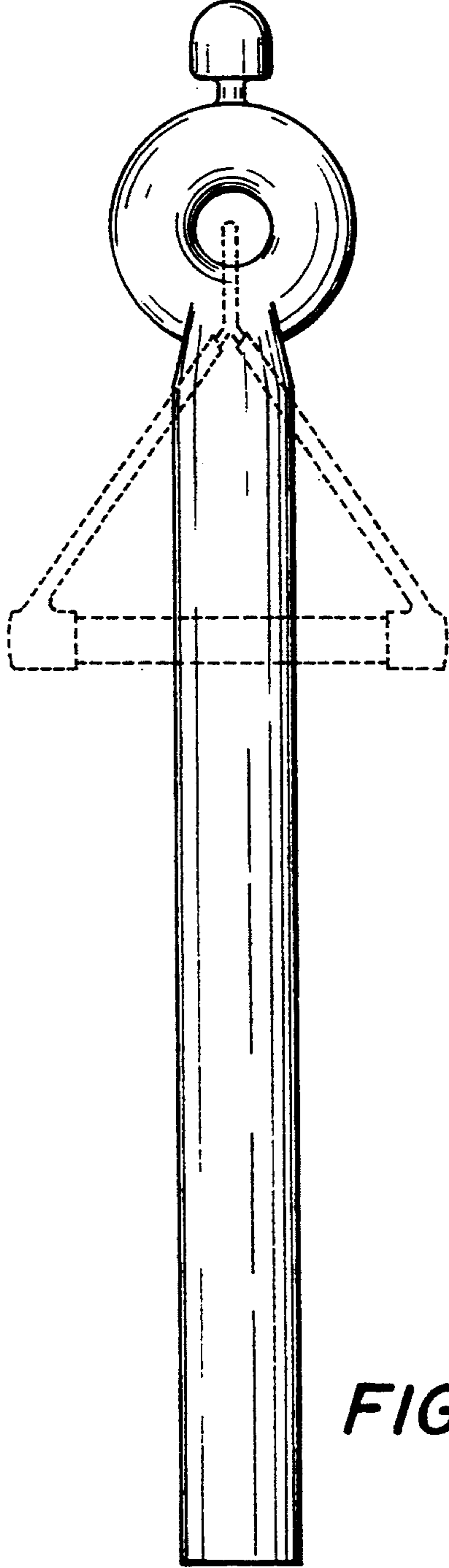


FIG. 1



FIG. 2

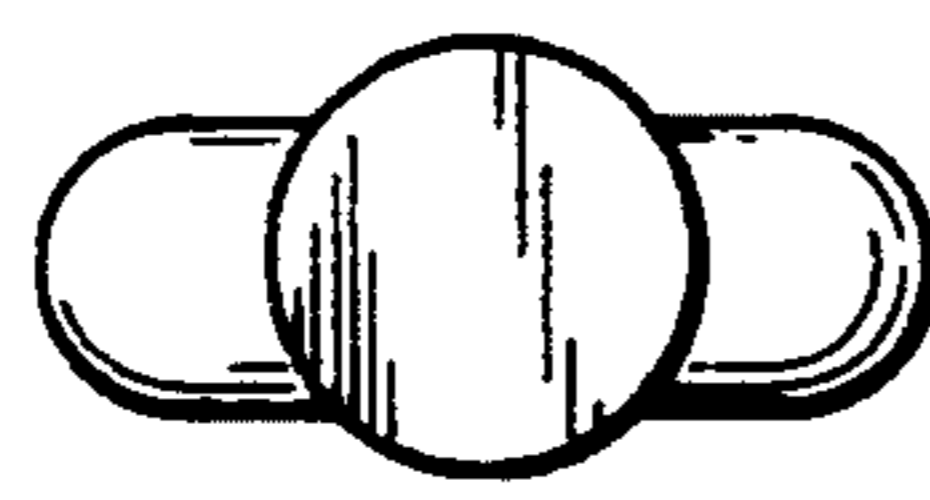


FIG. 4