



US00D355386S

**United States Patent** [19]  
**Fellmann**

[11] **Patent Number: Des. 355,386**  
[45] **Date of Patent: \*\* Feb. 14, 1995**

[54] **FIRE DETECTOR**  
[75] **Inventor: Hansruedi Fellmann,**  
Wangen/Dübendorf, Switzerland  
[73] **Assignee: Cerberus AG, Männedorf,**  
Switzerland  
[\*\*] **Term: 14 Years**  
[21] **Appl. No.: 13,392**  
[22] **Filed: Sep. 23, 1993**

D. 319,798 9/1991 Hatano ..... D10/106  
D. 331,547 12/1992 Ogawa et al. .... D10/106  
D. 339,078 9/1993 Behlke ..... D10/104  
3,226,703 12/1965 Finkle ..... 340/237  
4,236,822 12/1980 Jaretsky et al. .... 356/256

*Primary Examiner*—James M. Gandy  
*Assistant Examiner*—Marcus Jackson  
*Attorney, Agent, or Firm*—Brumbaugh, Graves,  
Donohue & Raymond

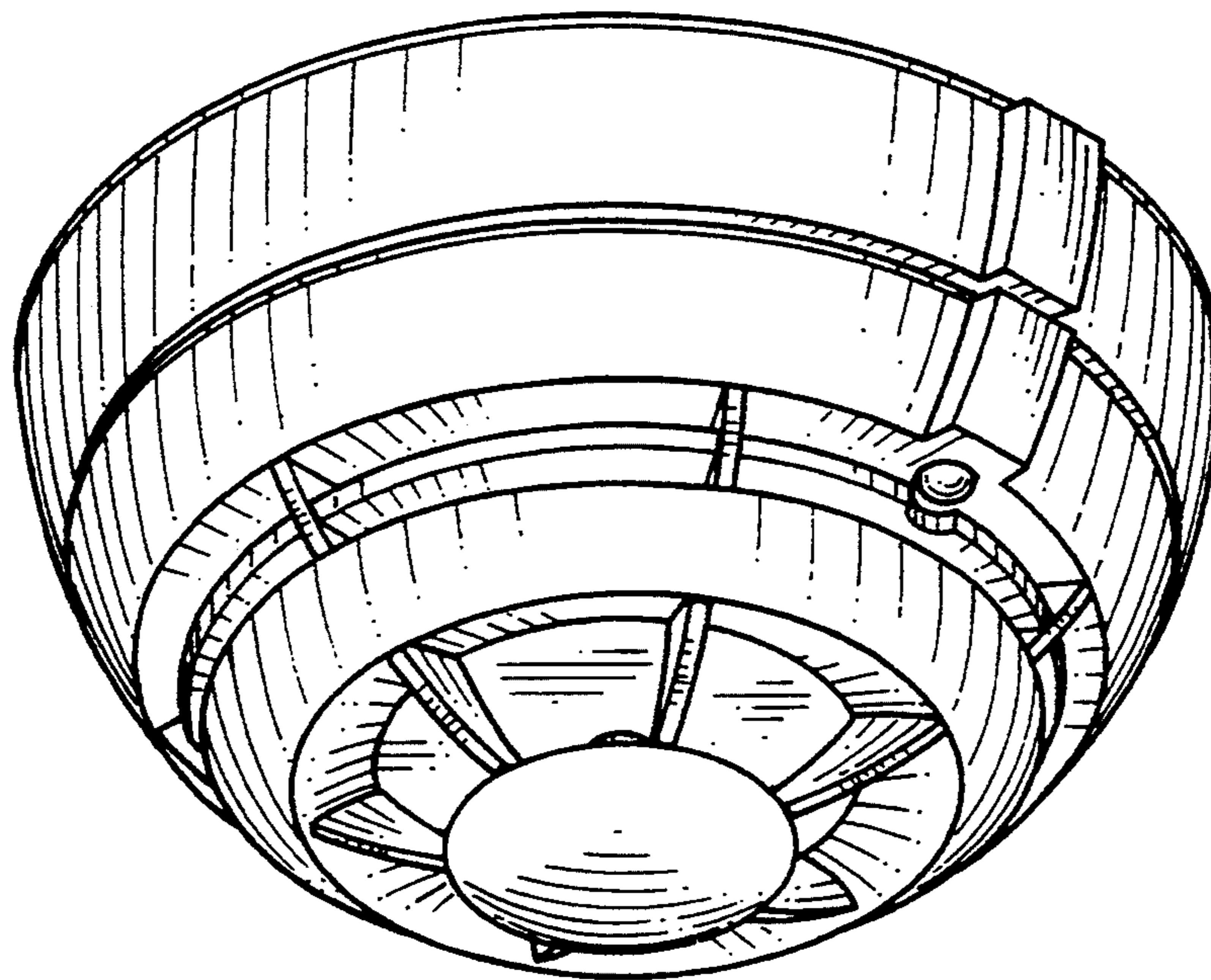
[30] **Foreign Application Priority Data**  
Mar. 24, 1993 [WO] WIPO ..... DMA/002097  
[52] **U.S. Cl. .... D10/106**  
[58] **Field of Search ..... D10/104, 106, 116, 121;**  
340/571, 572, 577, 578, 628, 629, 630

[57] **CLAIM**  
The ornamental design for a fire detector, as shown and described.

[56] **References Cited**  
**U.S. PATENT DOCUMENTS**  
D. 253,525 11/1979 Wilson ..... D10/106  
D. 271,671 12/1983 Thornton, Jr. .... D10/106  
D. 279,769 7/1985 Thornton, Jr. et al. .... D10/106  
D. 297,219 8/1988 Taylor ..... D10/106  
D. 308,836 6/1990 Fenne ..... D10/106

**DESCRIPTION**

FIG. 1 is a perspective representation of a fire detector, illustrating my invention;  
FIG. 2 is a front elevation of the fire detector of FIG. 1;  
FIG. 3 is a rear elevation of the fire detector of FIG. 1;  
FIG. 4 is a right-side elevation of the fire detector of FIG. 1;  
FIG. 5 is a left-side elevation of the fire detector of FIG. 1;  
FIG. 6 is a top view of the fire detector of FIG. 1; and,  
FIG. 7 is a bottom view of the fire detector of FIG. 1.



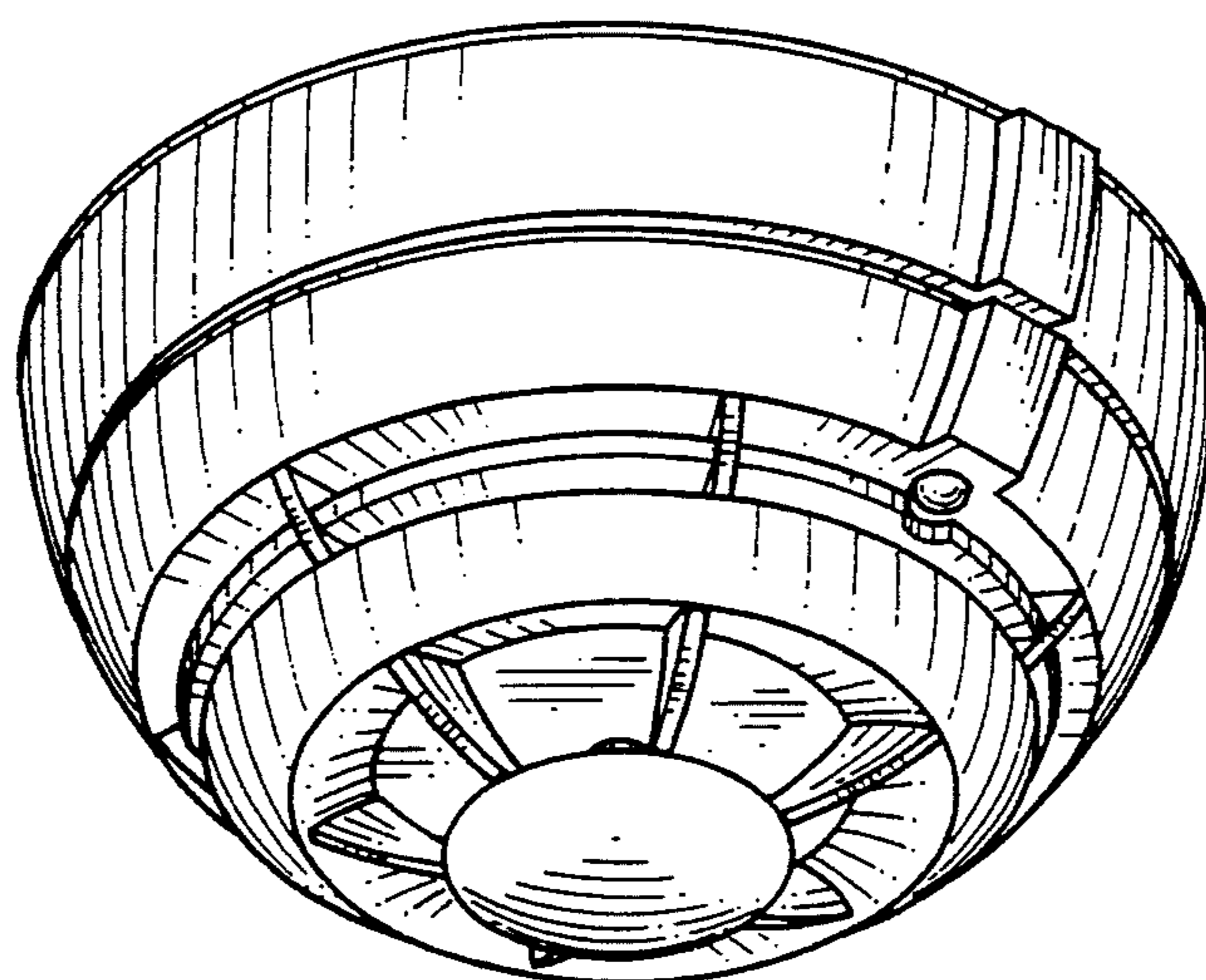


FIG. 1

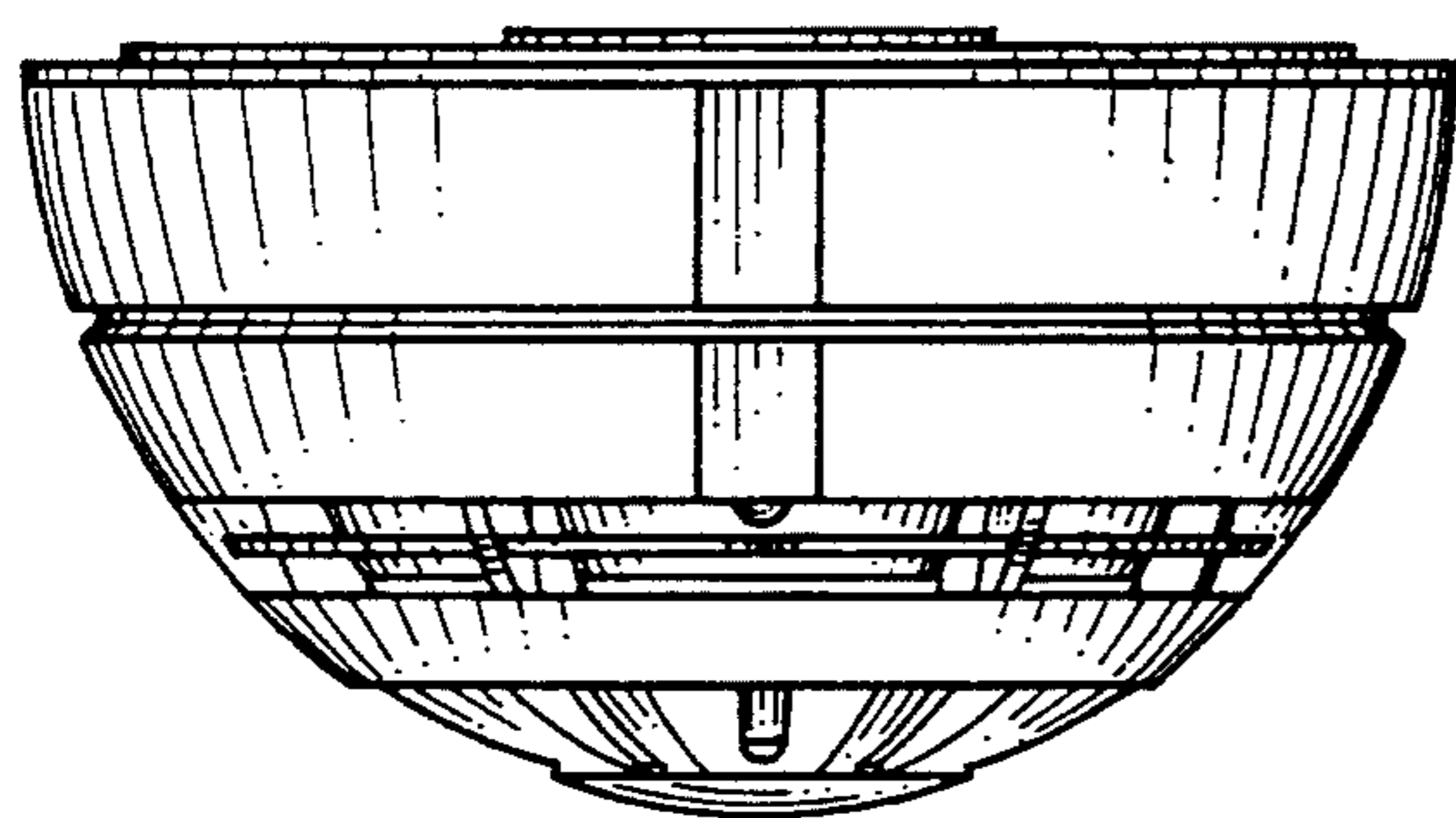


FIG. 2

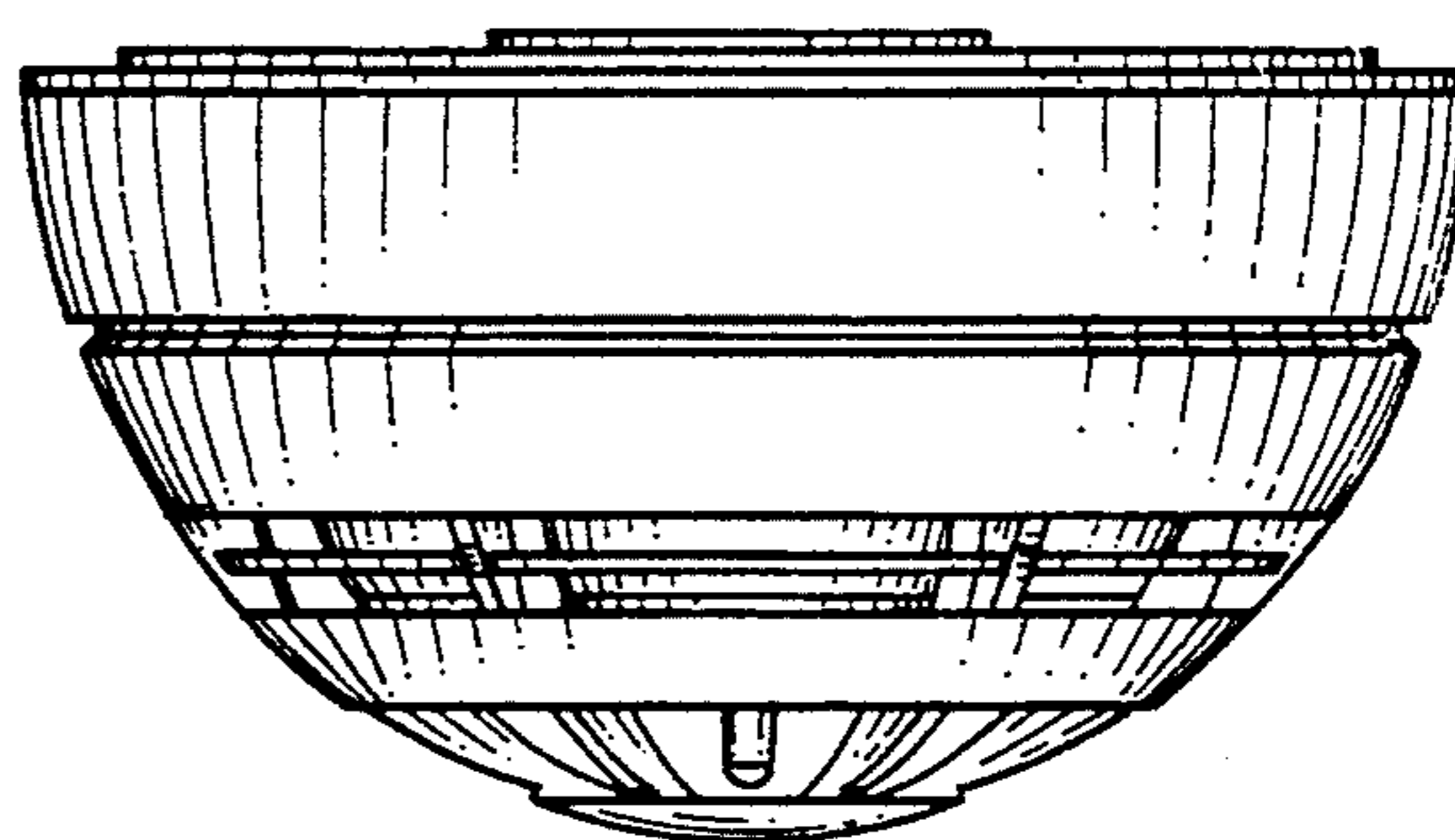


FIG. 3

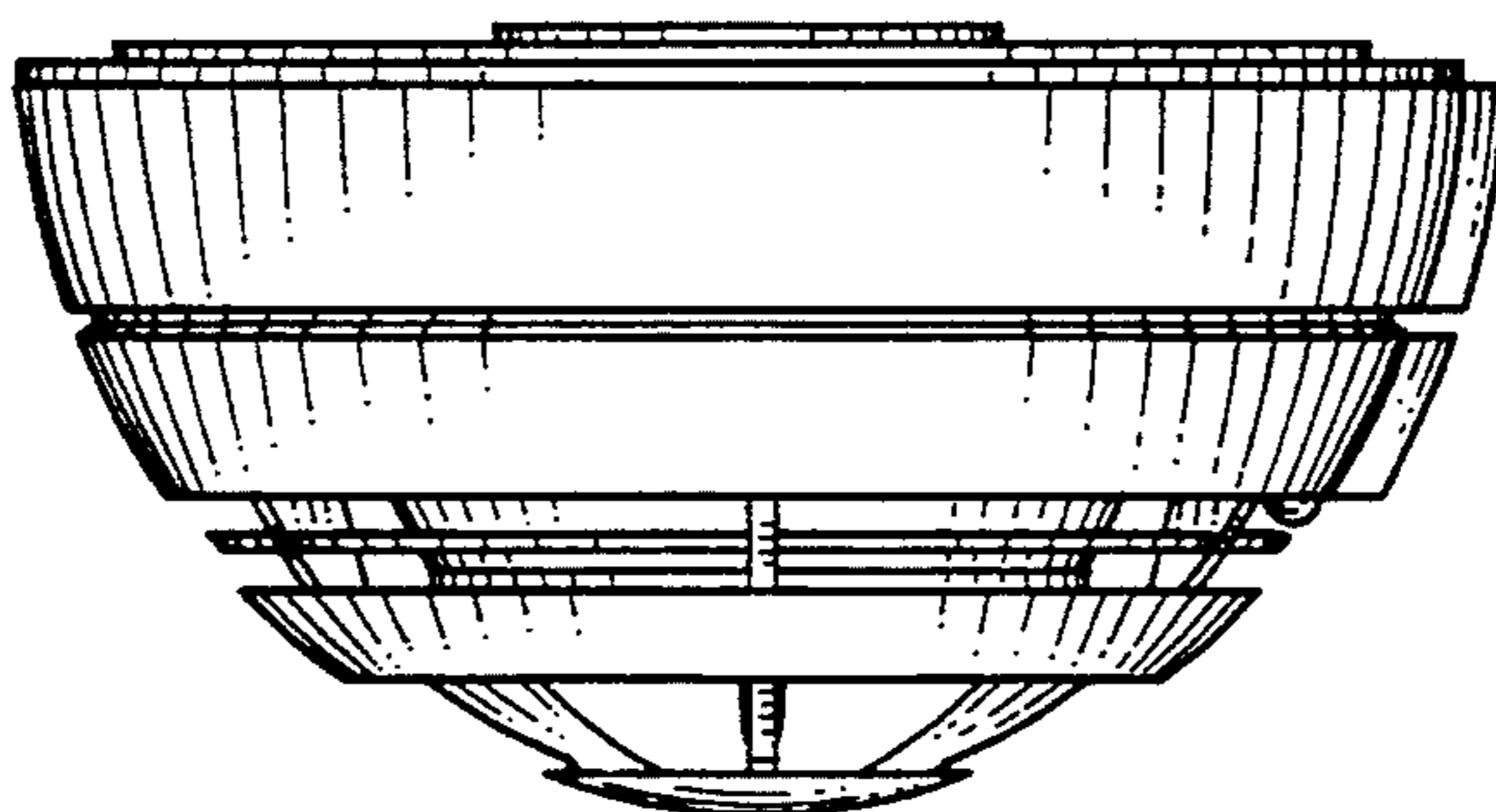


FIG. 4

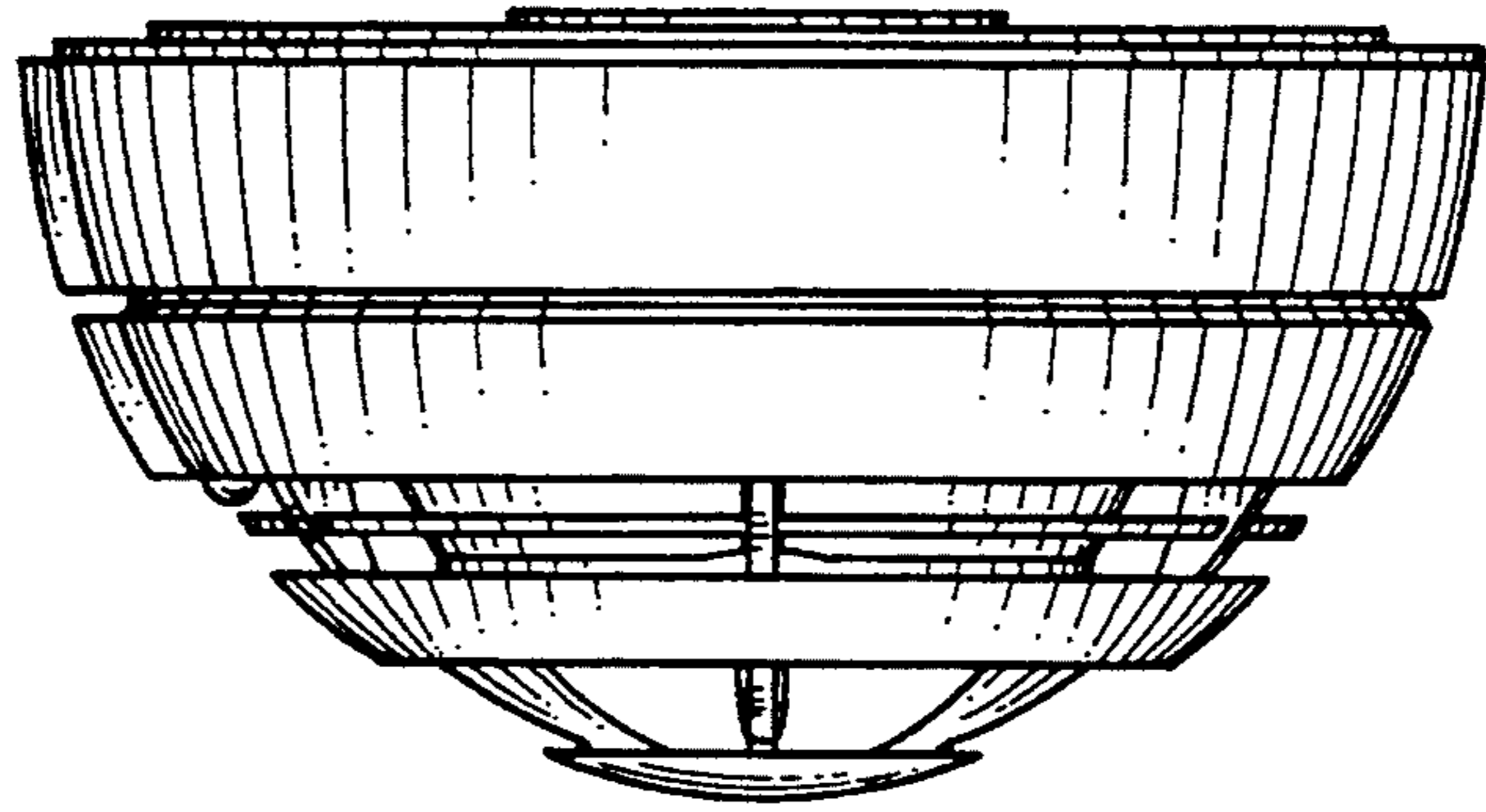


FIG. 5

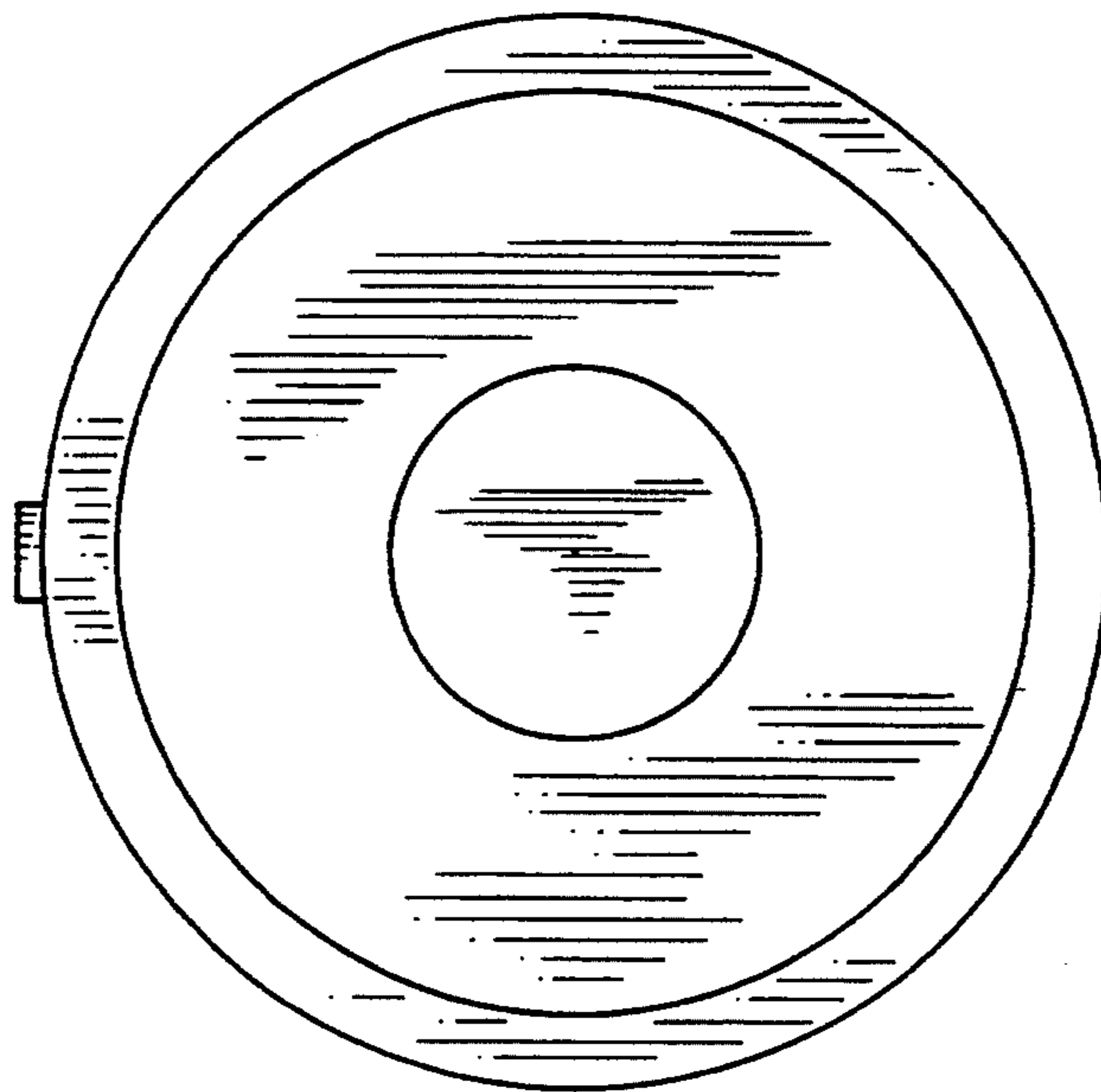


FIG. 6

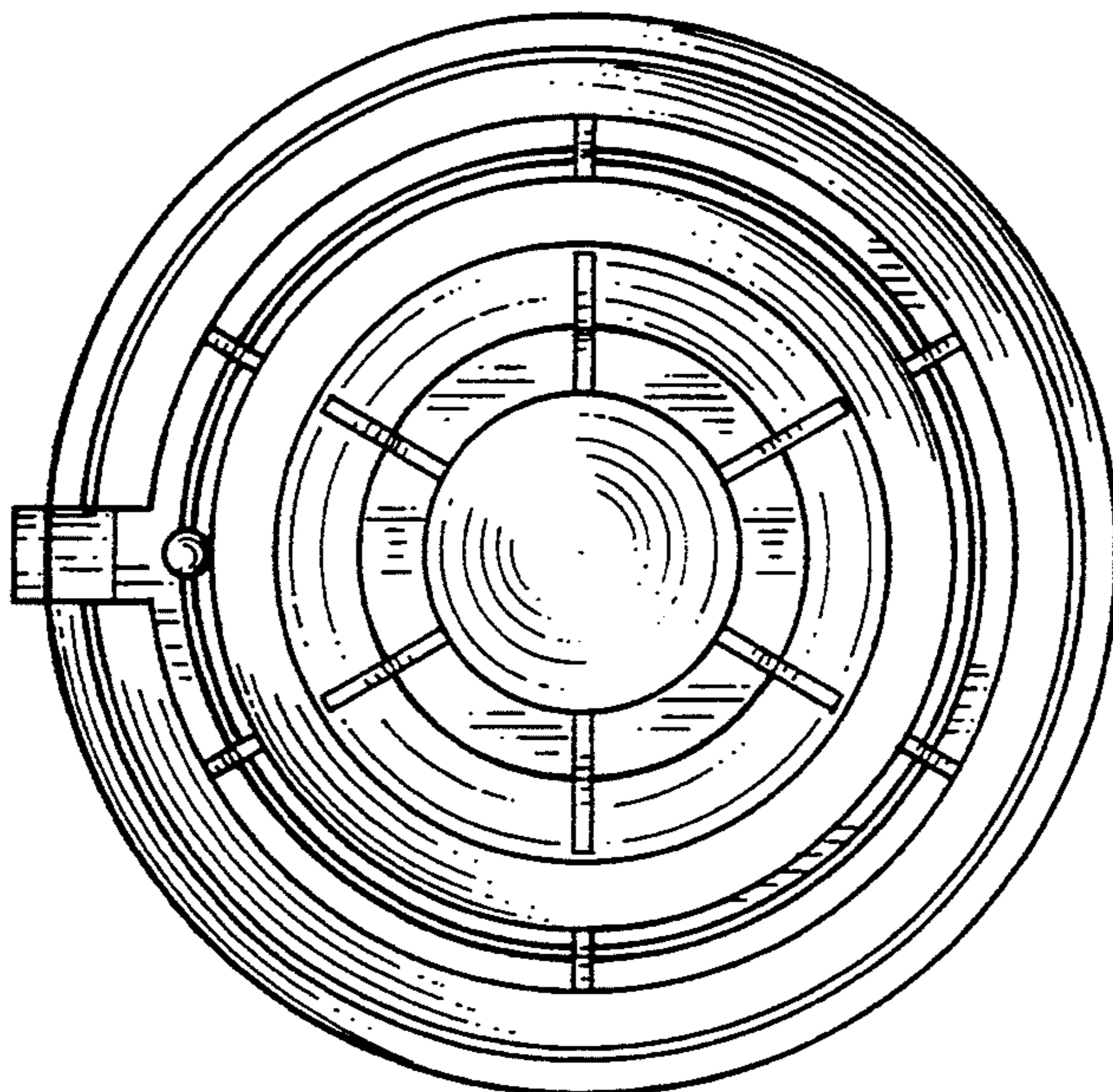


FIG. 7