



US00D355385S

United States Patent [19]

Abrams

[11] Patent Number: **Des. 355,385**

[45] Date of Patent: **** Feb. 14, 1995**

[54] **BABY MONITOR RECEIVER**

[75] Inventor: **Randy L. Abrams, Leominster, Mass.**

[73] Assignee: **Safety 1st, Inc., Chestnut Hill, Mass.**

[**] Term: **14 Years**

[21] Appl. No.: **23,040**

[22] Filed: **May 17, 1994**

[52] U.S. Cl. **D10/104; D14/159**

[58] Field of Search **D10/104, 106, 121; D14/124, 137, 159; 455/73, 89, 90, 128; 340/540, 570, 571, 572, 573**

[56] **References Cited**

U.S. PATENT DOCUMENTS

D. 280,896 10/1985 Campbell et al. D14/155

D. 310,218 8/1990 Murphy D14/137
D. 346,756 5/1994 Grasso D10/106

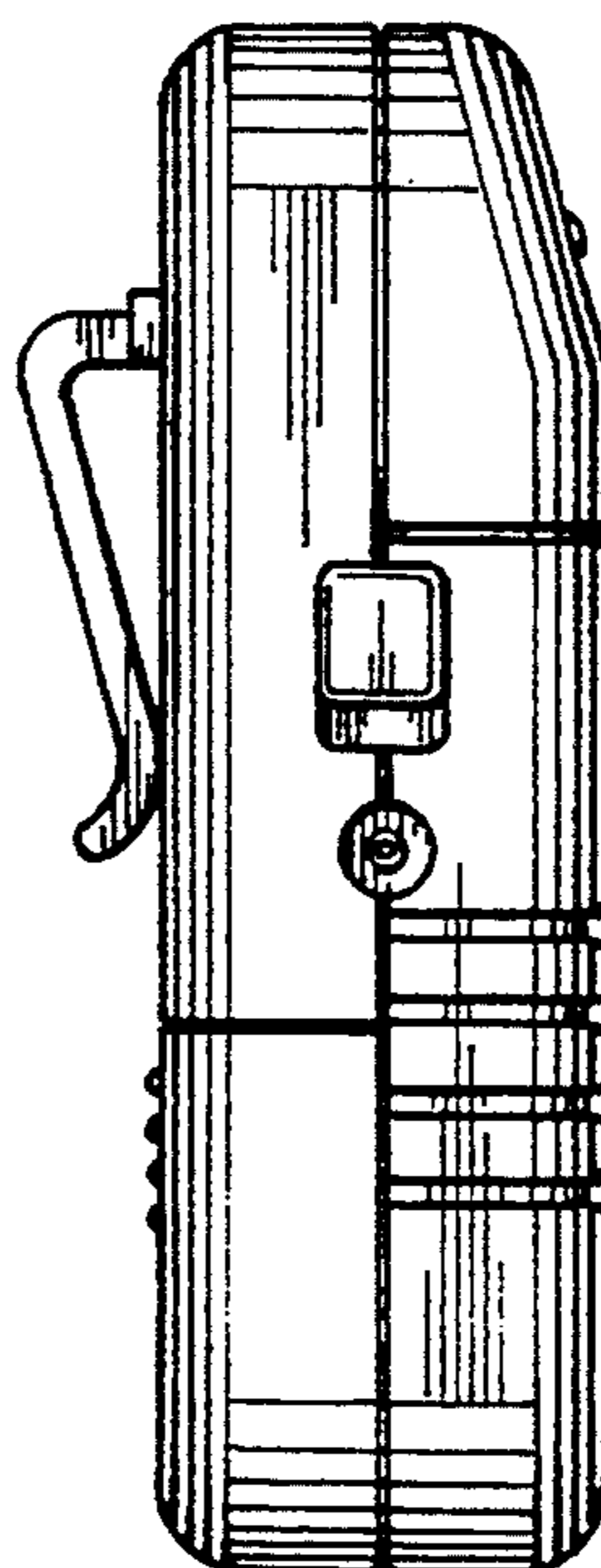
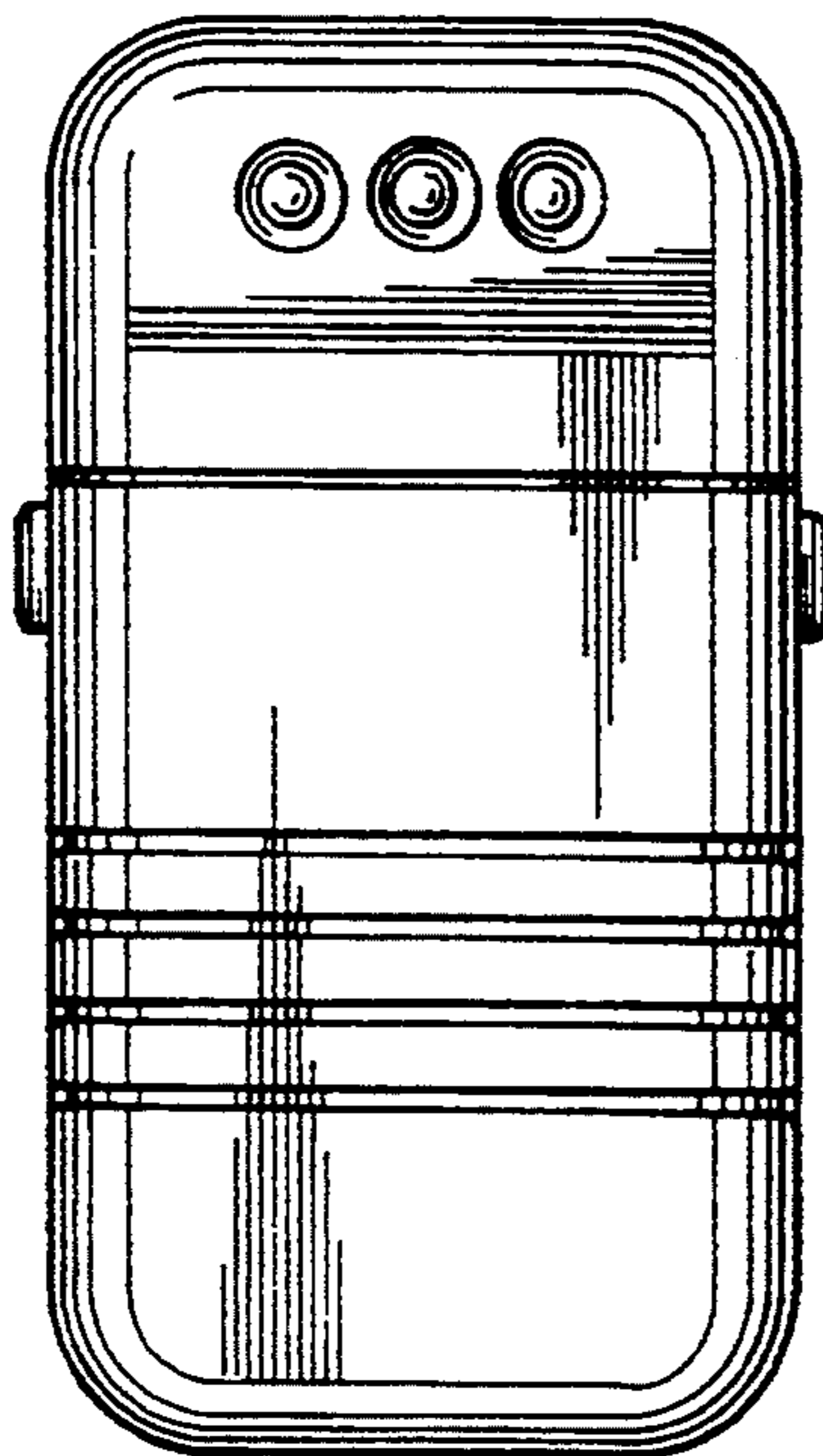
Primary Examiner—Wallace R. Burke
Assistant Examiner—Marcus Jackson
Attorney, Agent, or Firm—Wolf, Greenfield & Sacks

[57] **CLAIM**

The ornamental design for a baby monitor receiver, as shown.

DESCRIPTION

FIG. 1 is a front elevation view of the baby monitor receiver embodying my new design; FIG. 2 is a left side elevation view thereof; FIG. 3 is a right side elevation view thereof; FIG. 4 is a top plan view thereof; FIG. 5 is a bottom plan view thereof; and, FIG. 6 is a rear elevation view thereof.



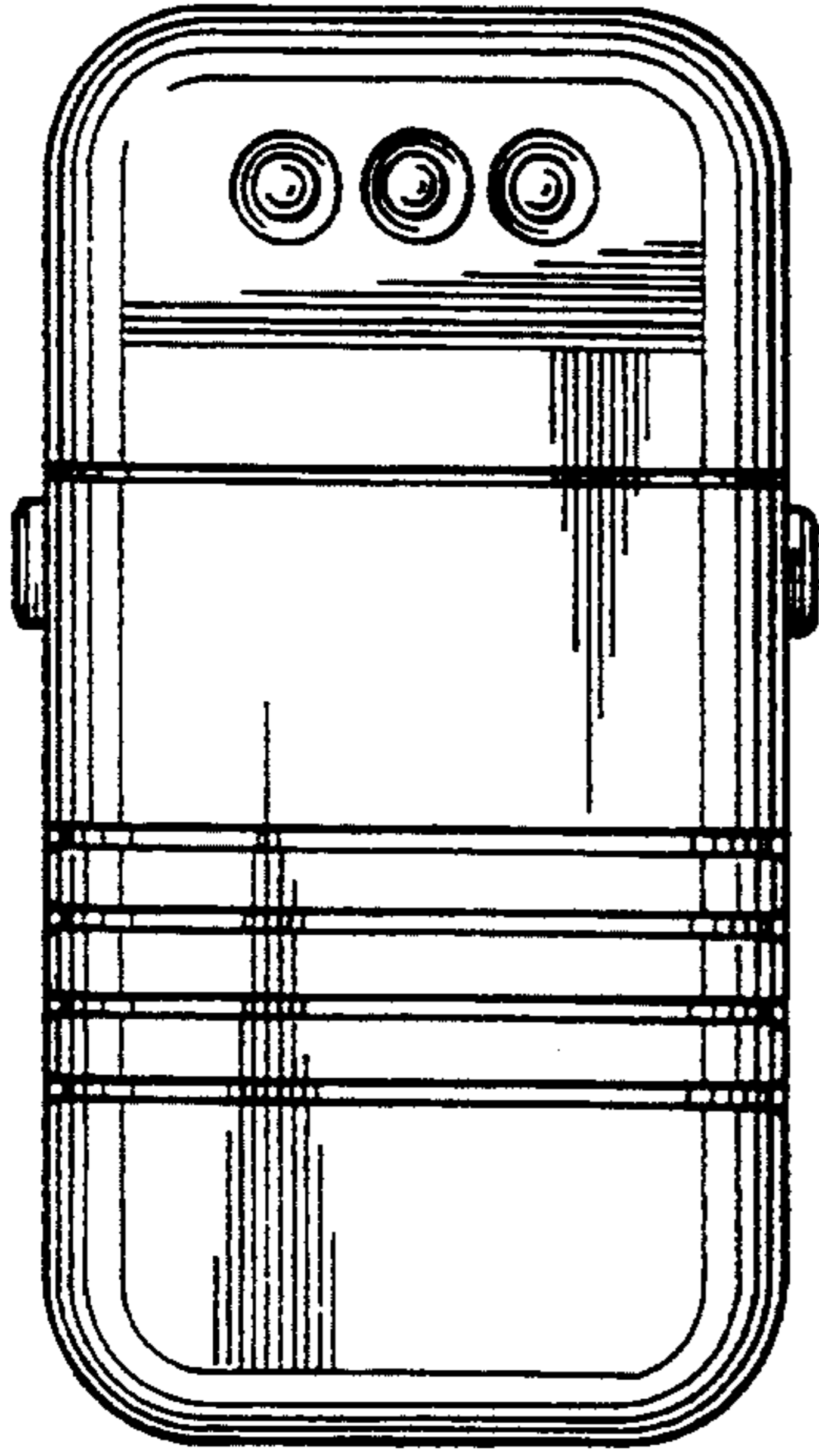


Fig. 1

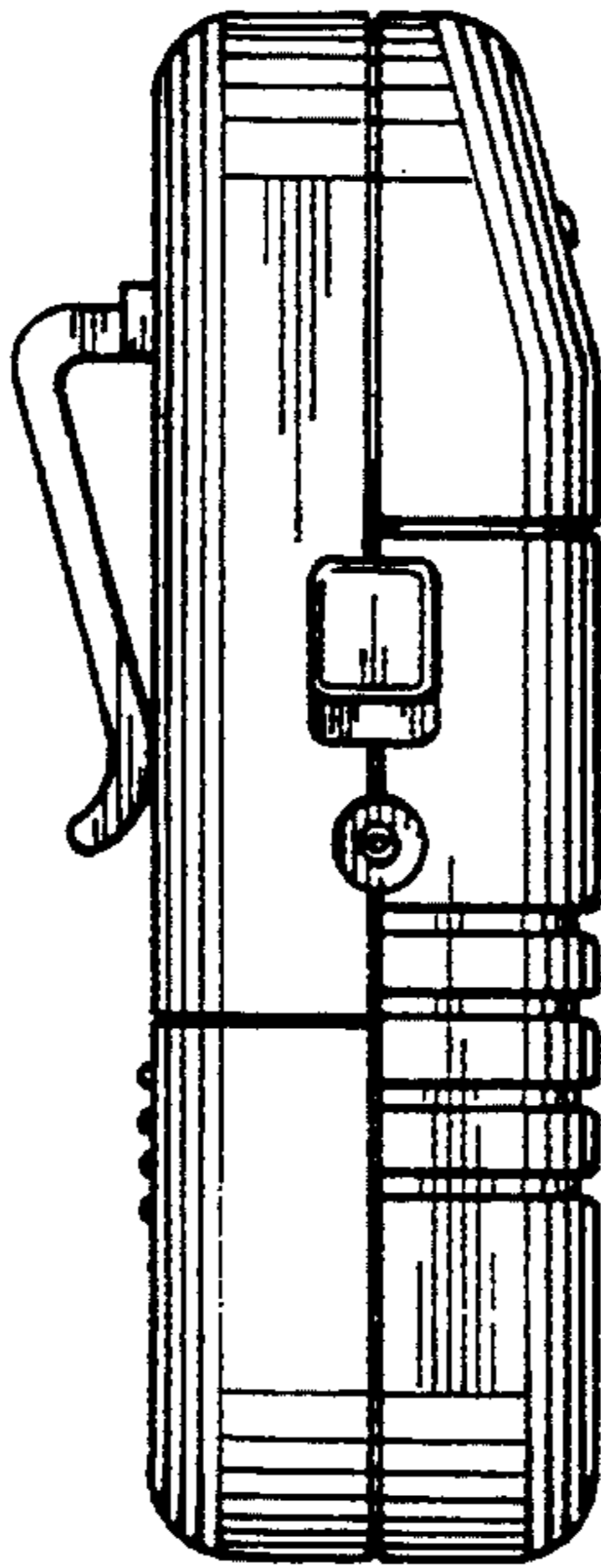


Fig. 2

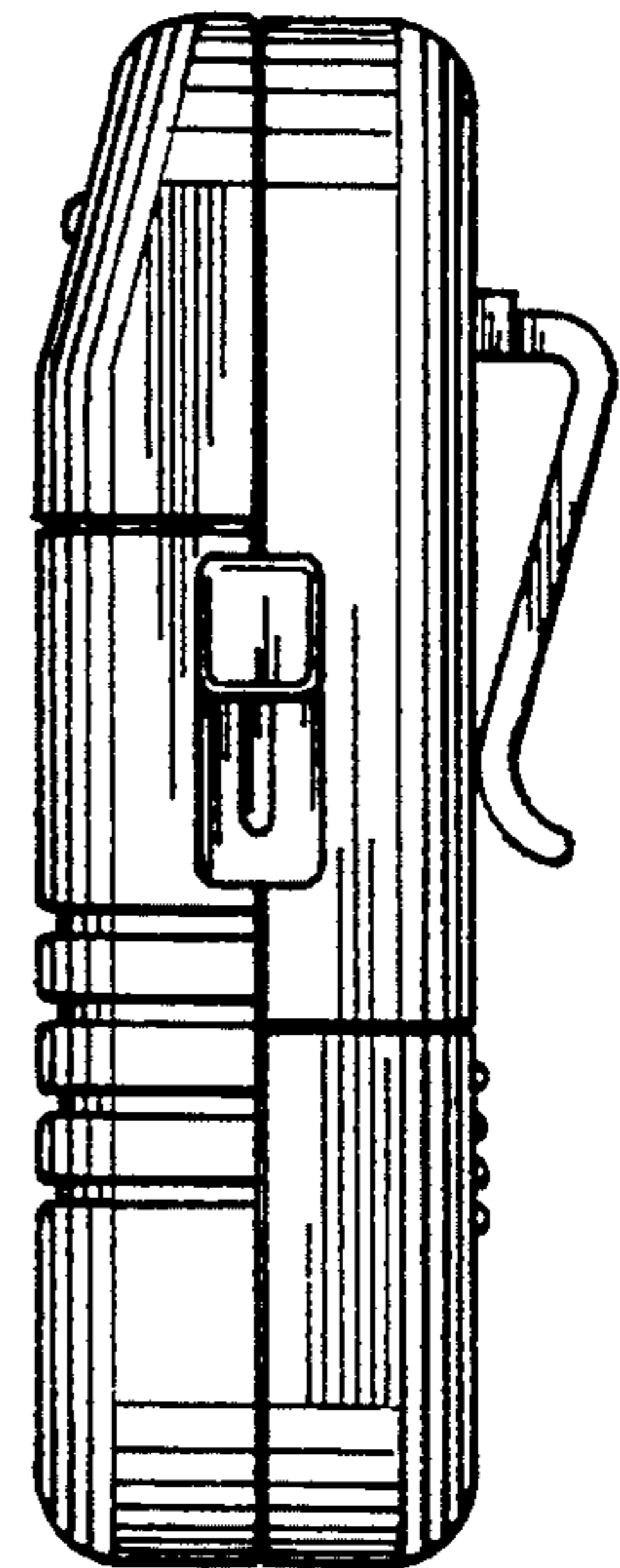


Fig. 3

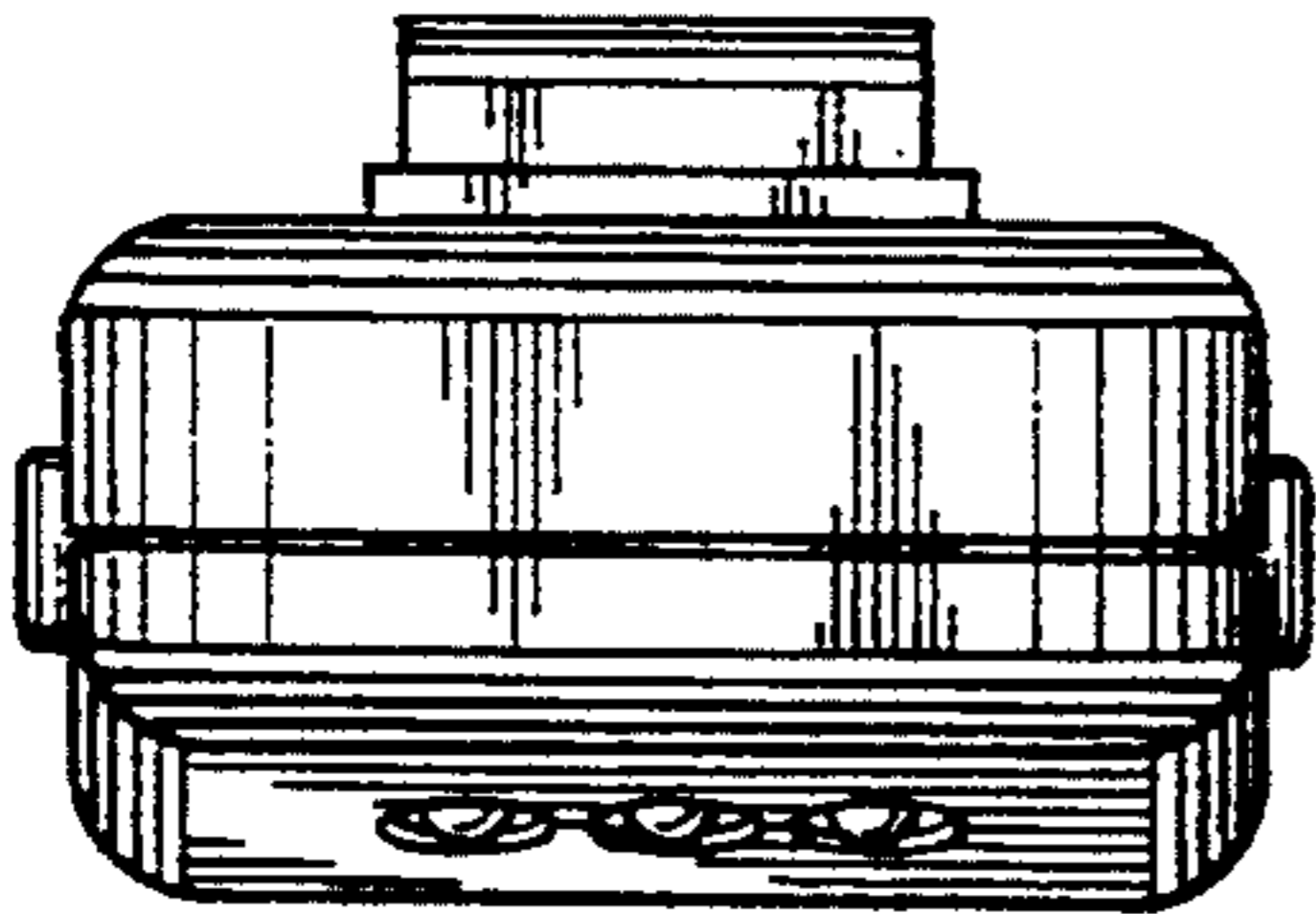


Fig. 4

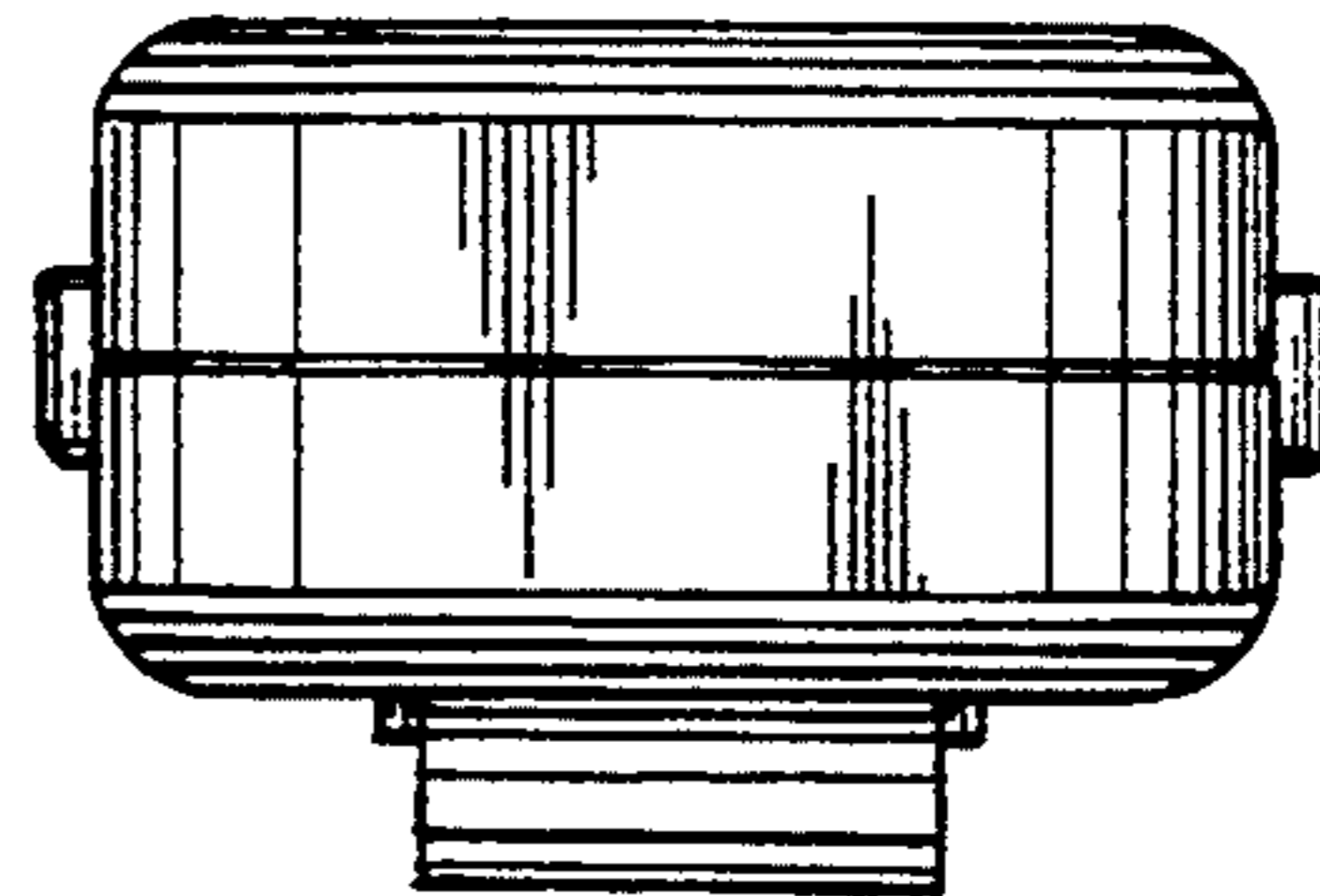


Fig. 5

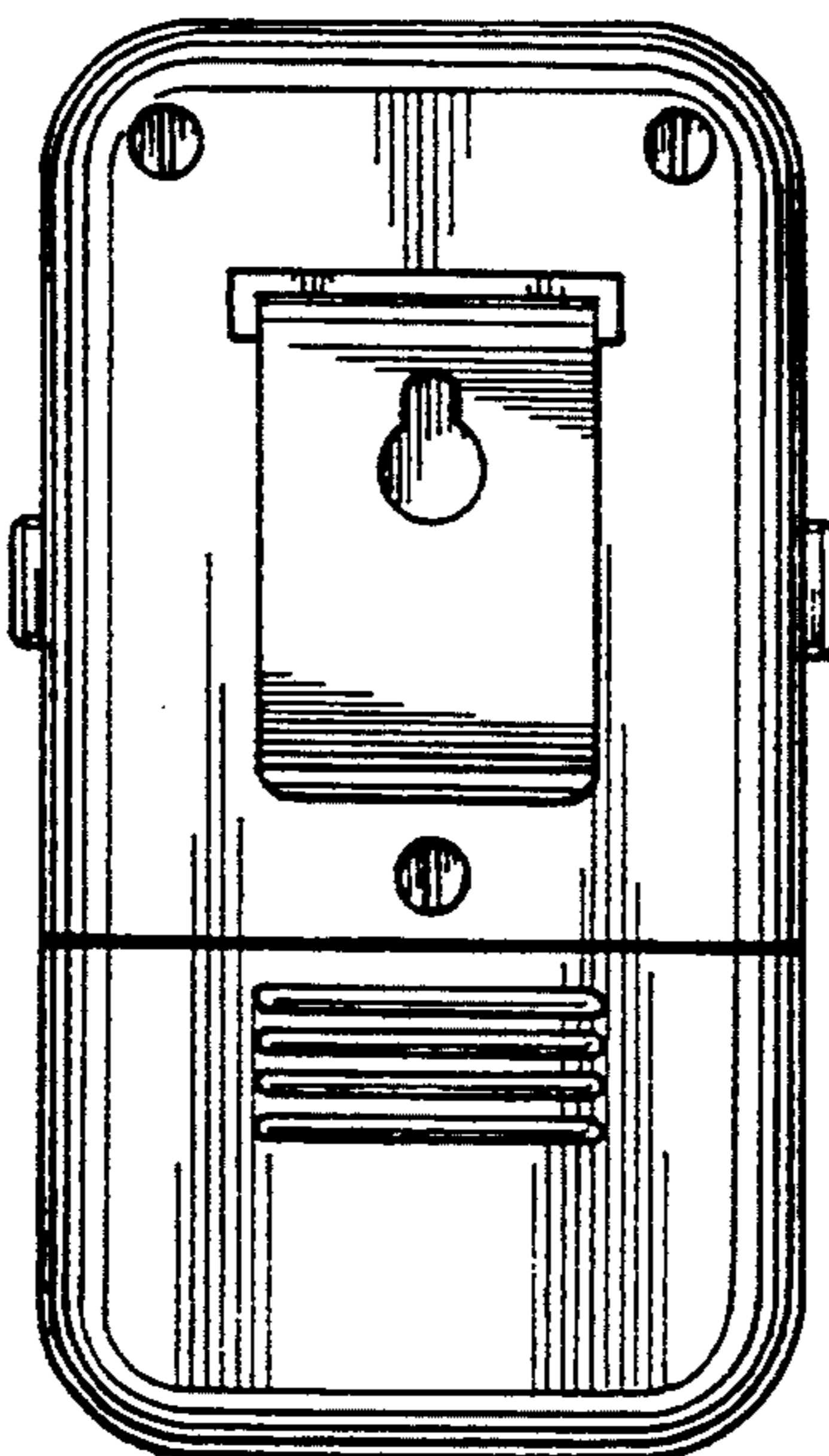


Fig. 6