



US00D355364S

# United States Patent [19]

[11] Patent Number: Des. 355,364

Schmitt

[45] Date of Patent: \*\* Feb. 14, 1995

- [54] **SPLASHLESS LIQUID POURING CONTAINER**
- [76] Inventor: **Donald H. Schmitt**, P.O. Box 53, St. Cloud, Minn. 56302
- [\*\*] Term: **14 Years**
- [21] Appl. No.: **898,758**
- [22] Filed: **Jun. 15, 1992**

- D. 284,641 7/1986 Jones .
- 840,532 1/1907 Webb .
- 1,605,702 11/1986 Brierley .
- 3,396,875 11/1966 Finch .
- 3,680,774 8/1972 Daniels, Jr. .
- 4,394,943 7/1983 Sjonell .
- 4,856,685 8/1989 Gaffney .

### OTHER PUBLICATIONS

Valvoline Publication, Apr. 1989.

*Primary Examiner*—Lucy J. Lieberman  
*Attorney, Agent, or Firm*—Richard O. Bartz

### Related U.S. Application Data

- [63] Continuation-in-part of Ser. No. 801,116, Dec. 2, 1991, Pat. No. Des. 333,980.
- [52] U.S. Cl. .... **D9/524; D9/520; D9/527**
- [58] Field of Search ..... **D9/524, 535, 527, 528, D9/520, 526; 215/1 R, 1 C, 100 A; 222/475, 454**

### [57] CLAIM

The ornamental design for a splashless liquid pouring container, as shown and described.

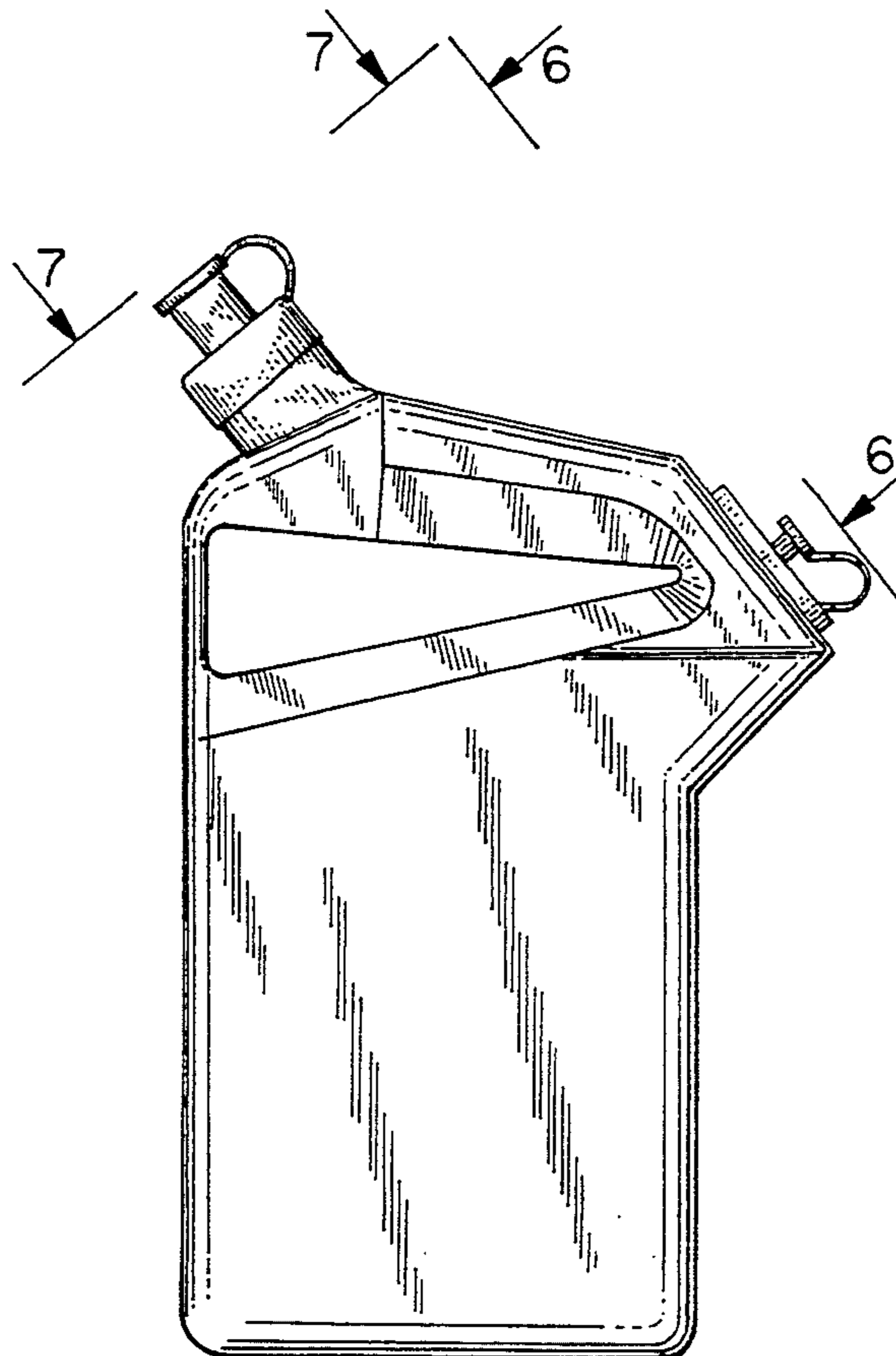
### DESCRIPTION

FIG. 1 is a front elevational view of the splashless liquid pouring container showing my new design;  
 FIG. 2 is a side elevational view thereof, the opposite side being a mirror image thereof;  
 FIG. 3 is a rear elevational view thereof;  
 FIG. 4 is a top plan view thereof;  
 FIG. 5 is a bottom plan view thereof;  
 FIG. 6 is a view along the plane of line 6—6 looking in the directions of the arrows; and,  
 FIG. 7 is a view along the plane of line 7—7 looking in the direction of the arrows.

### [56] References Cited

#### U.S. PATENT DOCUMENTS

- D. 194,486 1/1963 Hill ..... D9/527
- D. 203,706 2/1966 Platte .
- D. 227,443 6/1973 Weckman .
- D. 235,623 7/1975 Lloveras .
- D. 243,656 3/1977 Hutter .
- D. 245,577 8/1977 Smythe .
- D. 247,092 1/1978 Evangelista et al. .... D9/526



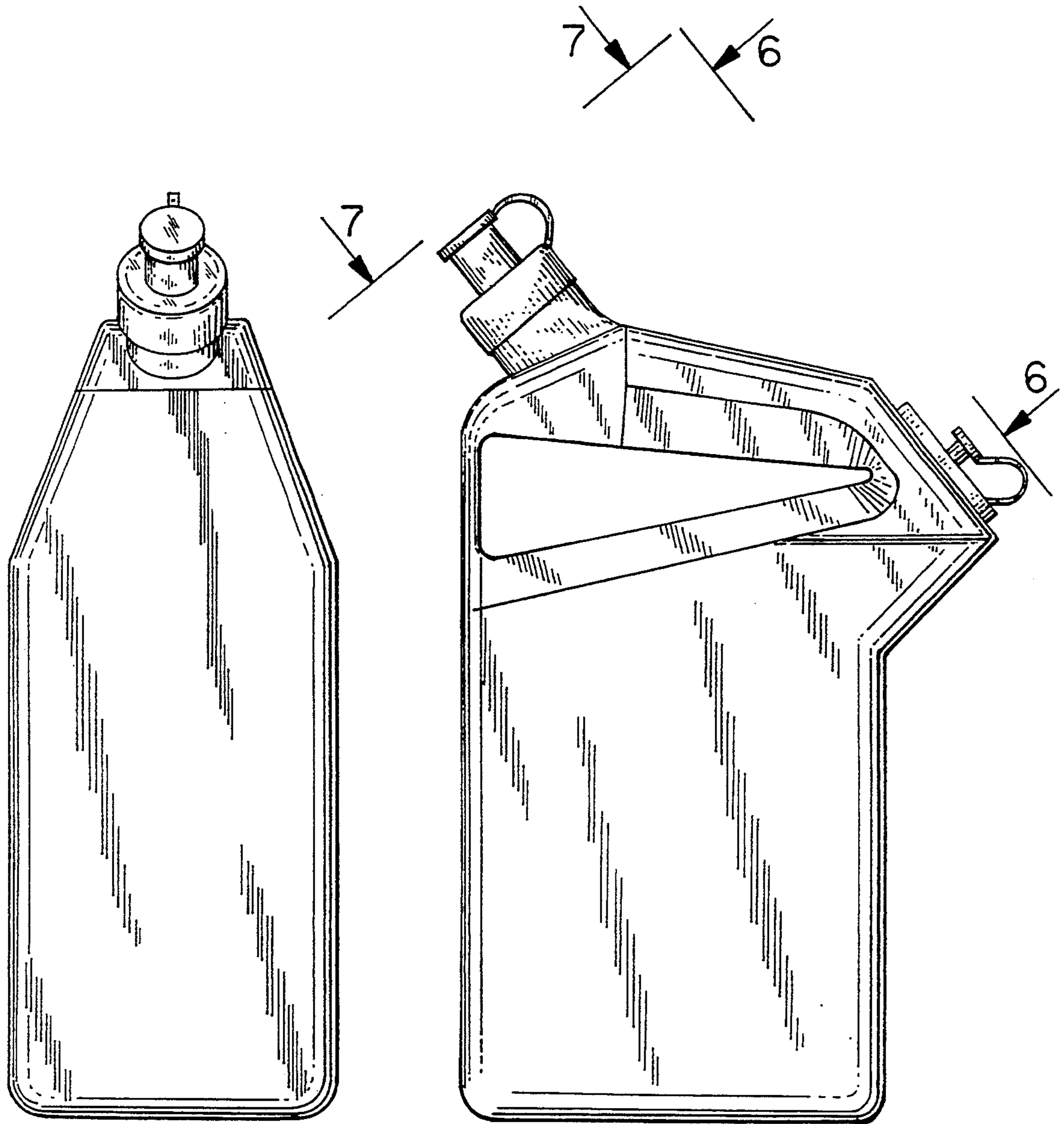
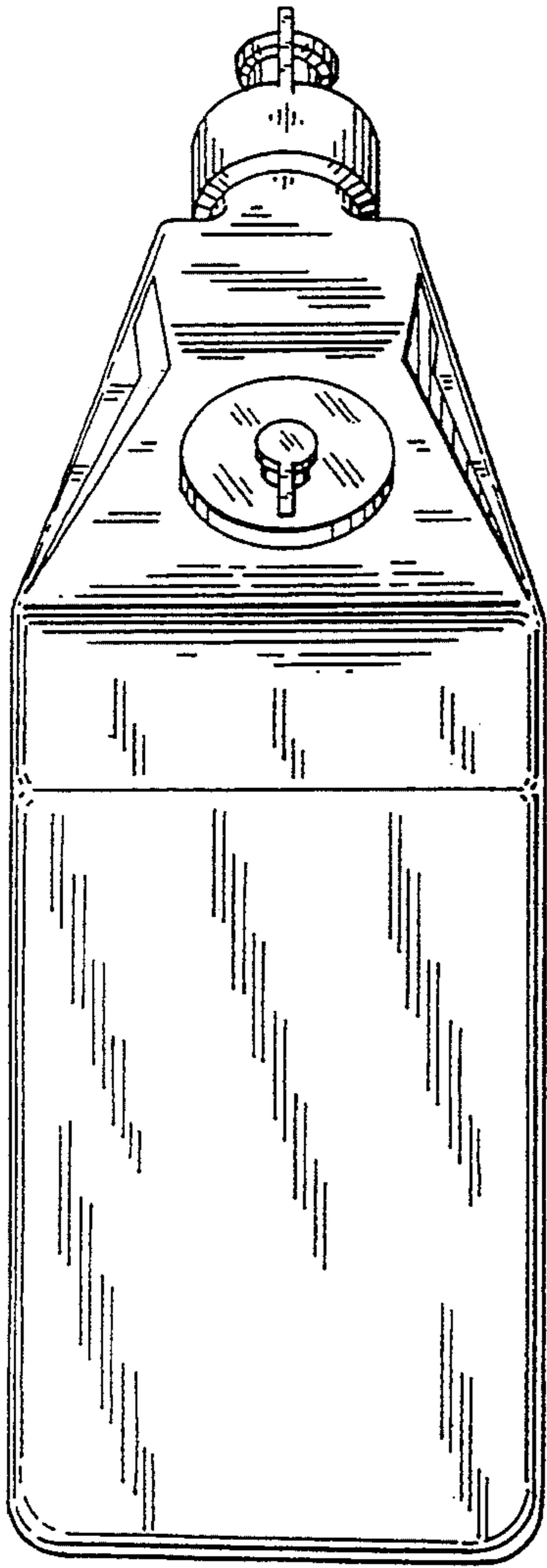
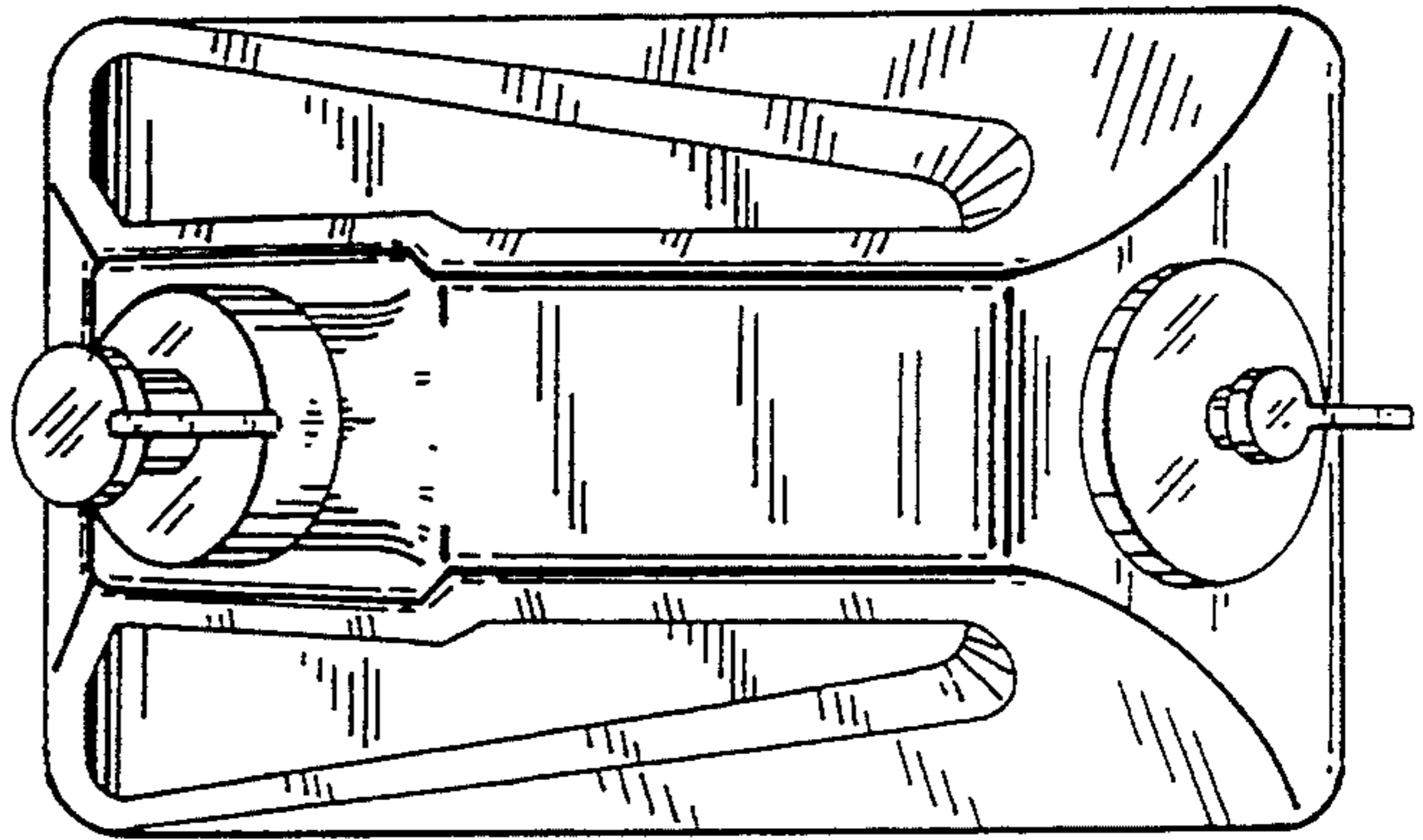


Fig. 1

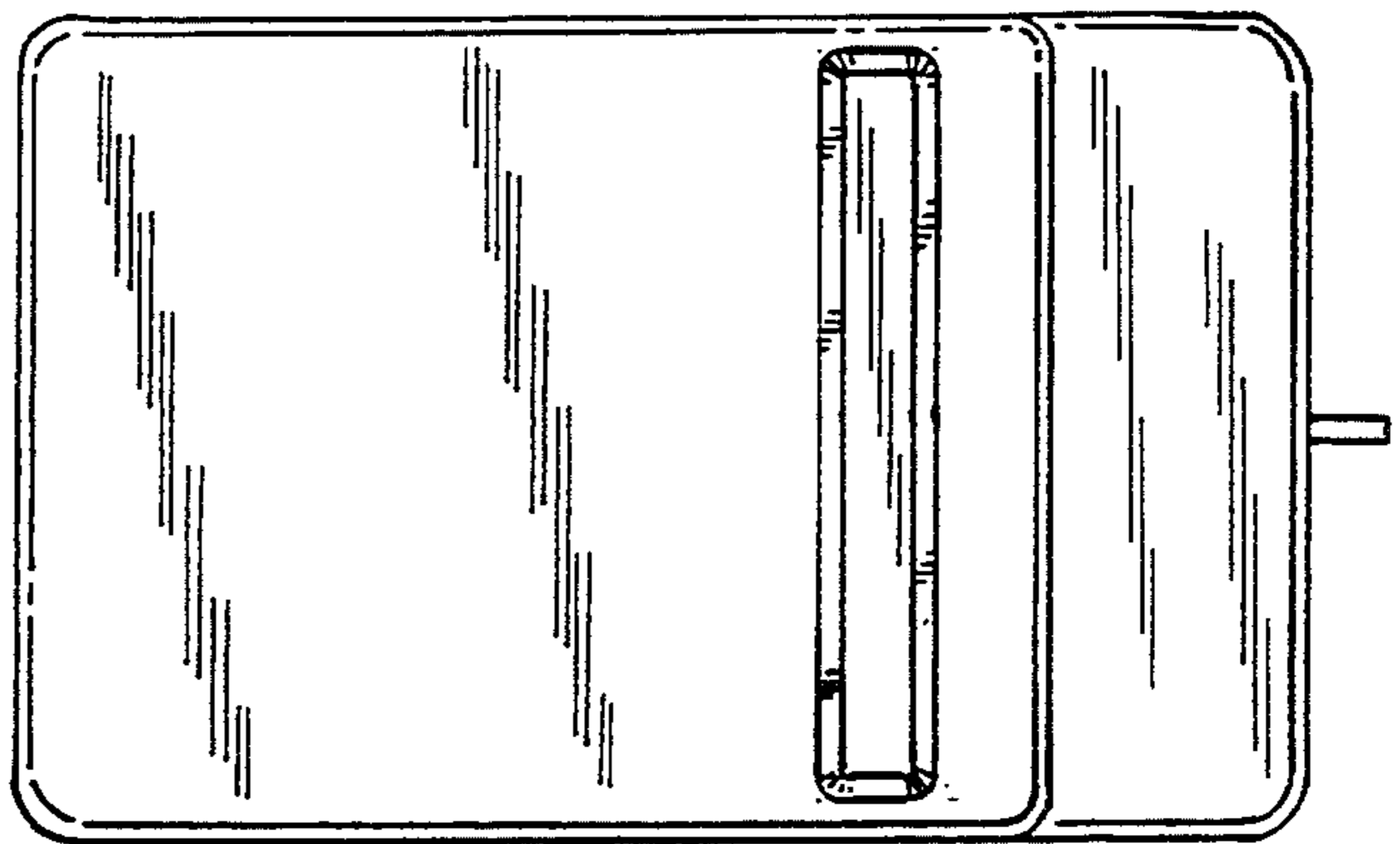
Fig. 2



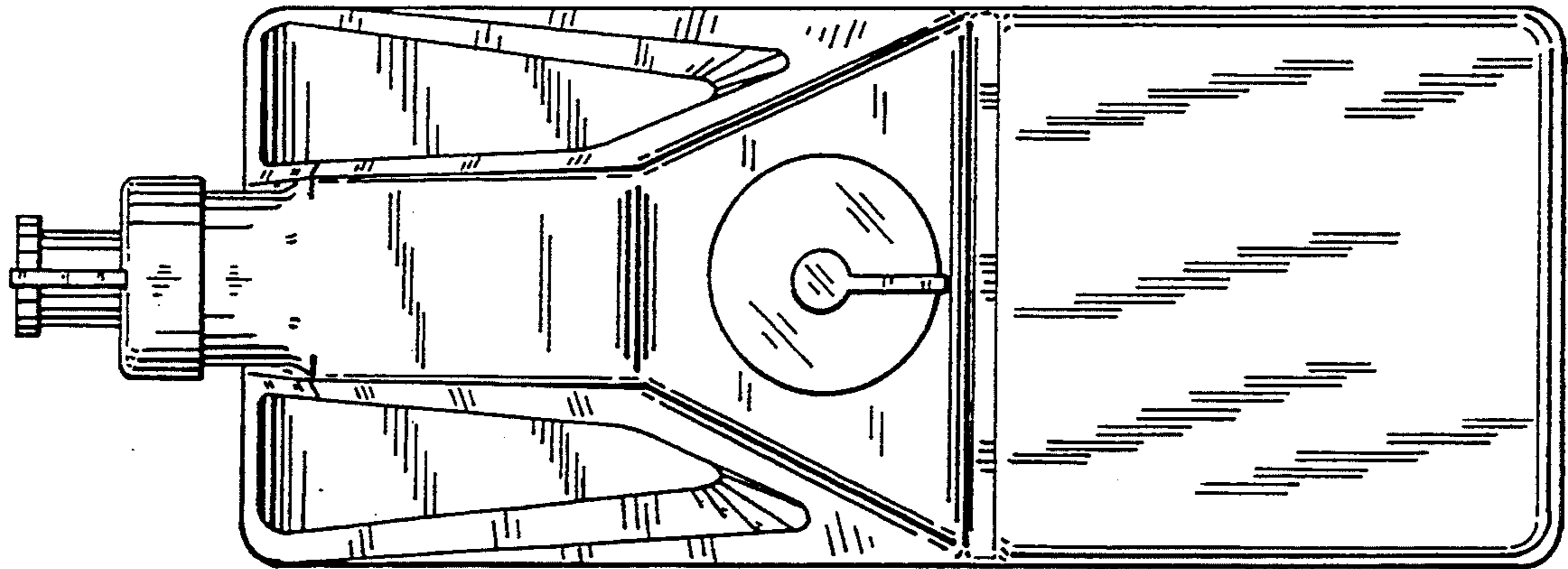
*Fig. 3*



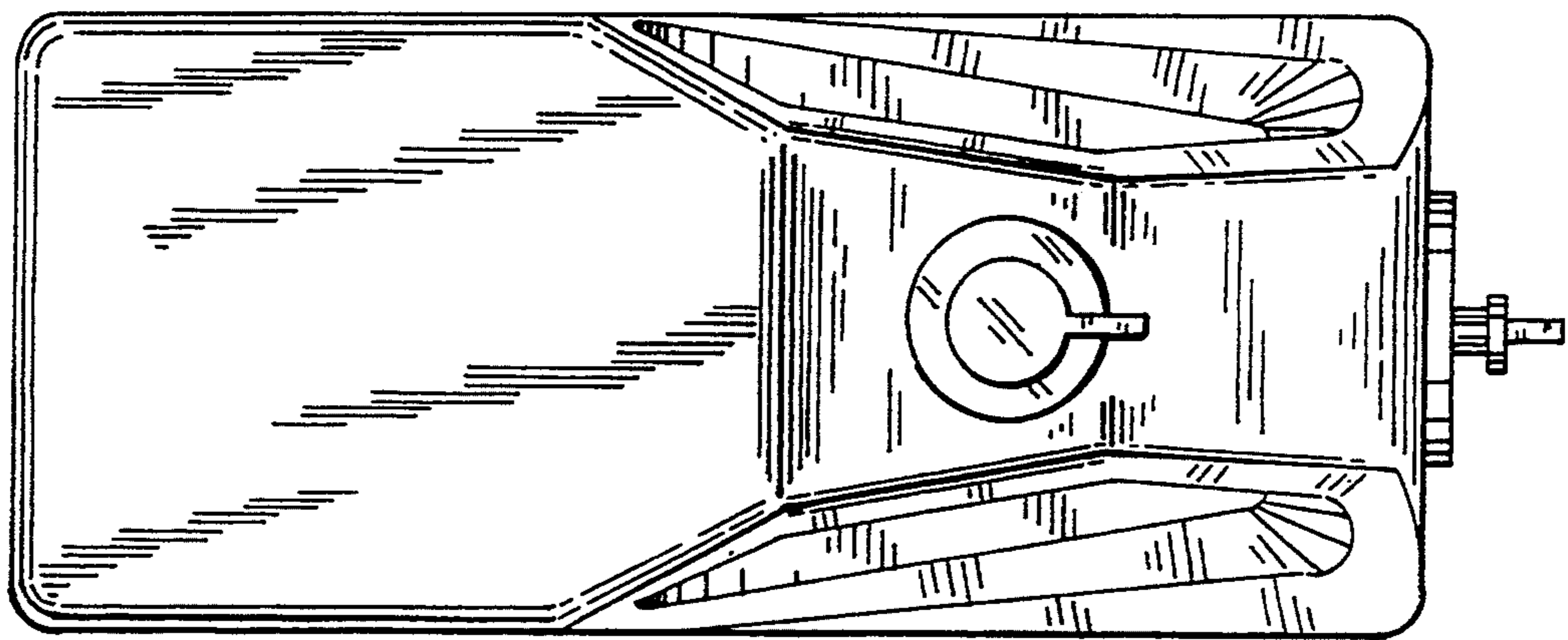
*Fig. 4*



*Fig. 5*



*Fig. 6*



*Fig. 7*