



US00D355361S

United States Patent [19]

[11] Patent Number: **Des. 355,361**

Steijns et al.

[45] Date of Patent: **** Feb. 14, 1995**

[54] **SPRAYER**

[75] Inventors: **Emile B. Steijns, Lierop; Wilhelmus J. J. Maas, Someren, both of Netherlands**

[73] Assignee: **AFA Products, Inc., Forest City, N.C.**

[**] Term: **14 Years**

[21] Appl. No.: **13,793**

[22] Filed: **Oct. 1, 1993**

D. 275,456	9/1984	Martin	D23/226
D. 285,713	9/1986	Garneau	D23/226
D. 293,707	1/1988	Tada	D23/226
D. 327,222	6/1992	Fuchs	D9/448 X
D. 332,652	1/1993	Foster et al.	D9/448 X
D. 333,609	3/1993	Beaumont	D9/300
D. 337,945	8/1993	Warner	D9/448
D. 342,899	1/1994	Battegazzore	D9/448

Primary Examiner—Wallace R. Burke
Assistant Examiner—M. H. Tung
Attorney, Agent, or Firm—Thomas R. Vigil

Related U.S. Application Data

[62] Division of Ser. No. 840,777, Feb. 24, 1992, Pat. No. Des. 346,547.

[52] U.S. Cl. **D9/448**

[58] Field of Search D9/300-301, D9/448; 239/333, 396-397, 337; 222/207, 335, 383-385, 380, 568; D23/213

References Cited

U.S. PATENT DOCUMENTS

D. 272,081 1/1984 Suhajda et al. D23/226

[57] CLAIM

The ornamental design for a sprayer, as shown.

DESCRIPTION

FIG. 1 is a perspective view of our sprayer; FIG. 2 is a side view of the sprayer shown in FIG. 1, the opposite side being a mirror image; FIG. 3 is a front view of the sprayer shown in FIG. 1; FIG. 4 is a top plan view of the sprayer shown in FIG. 1; FIG. 5 is a bottom view of the sprayer shown in FIG. 1; and, FIG. 6 is a rear view of the sprayer shown in FIG. 1.

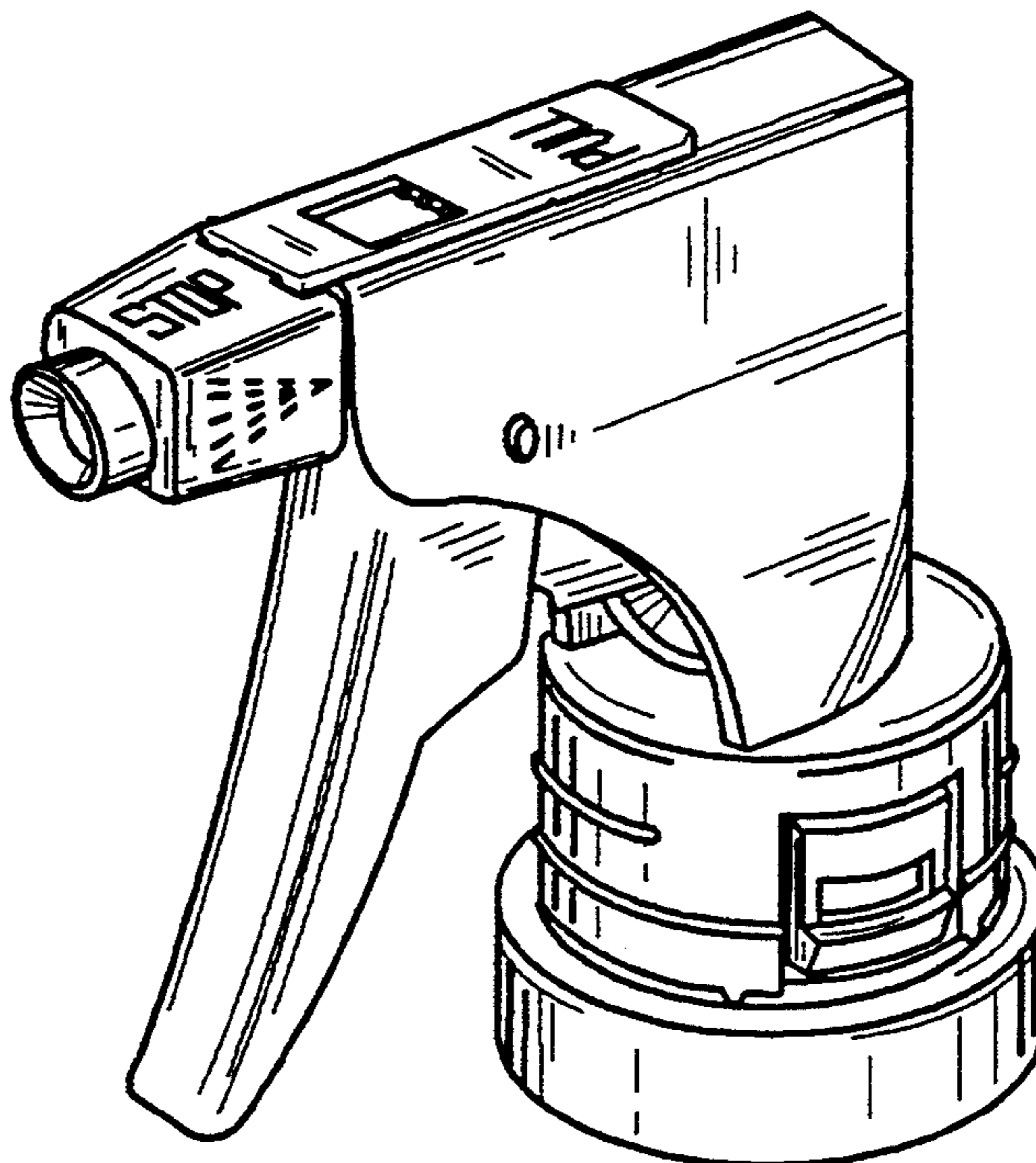


FIG. 1

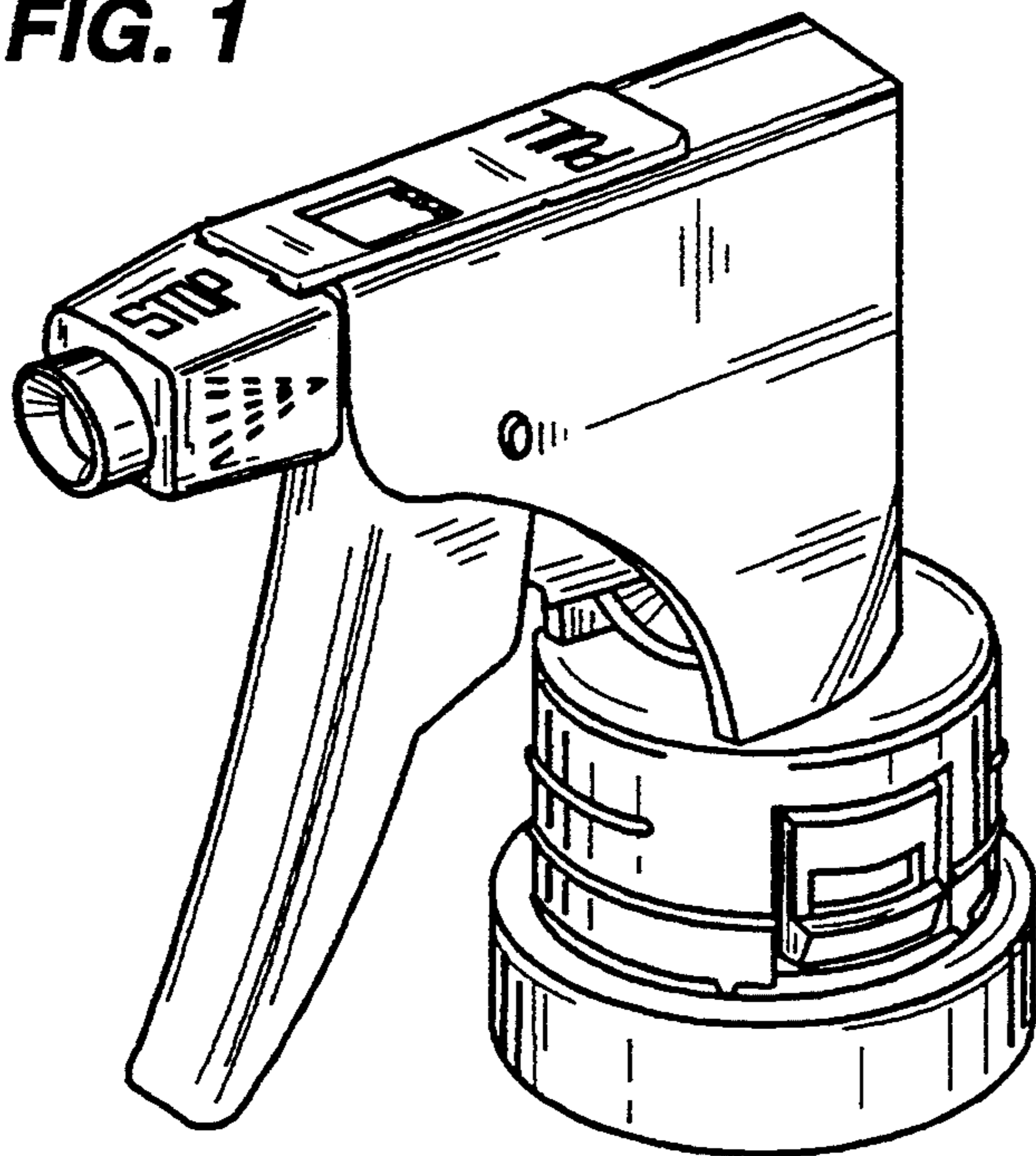


FIG. 2

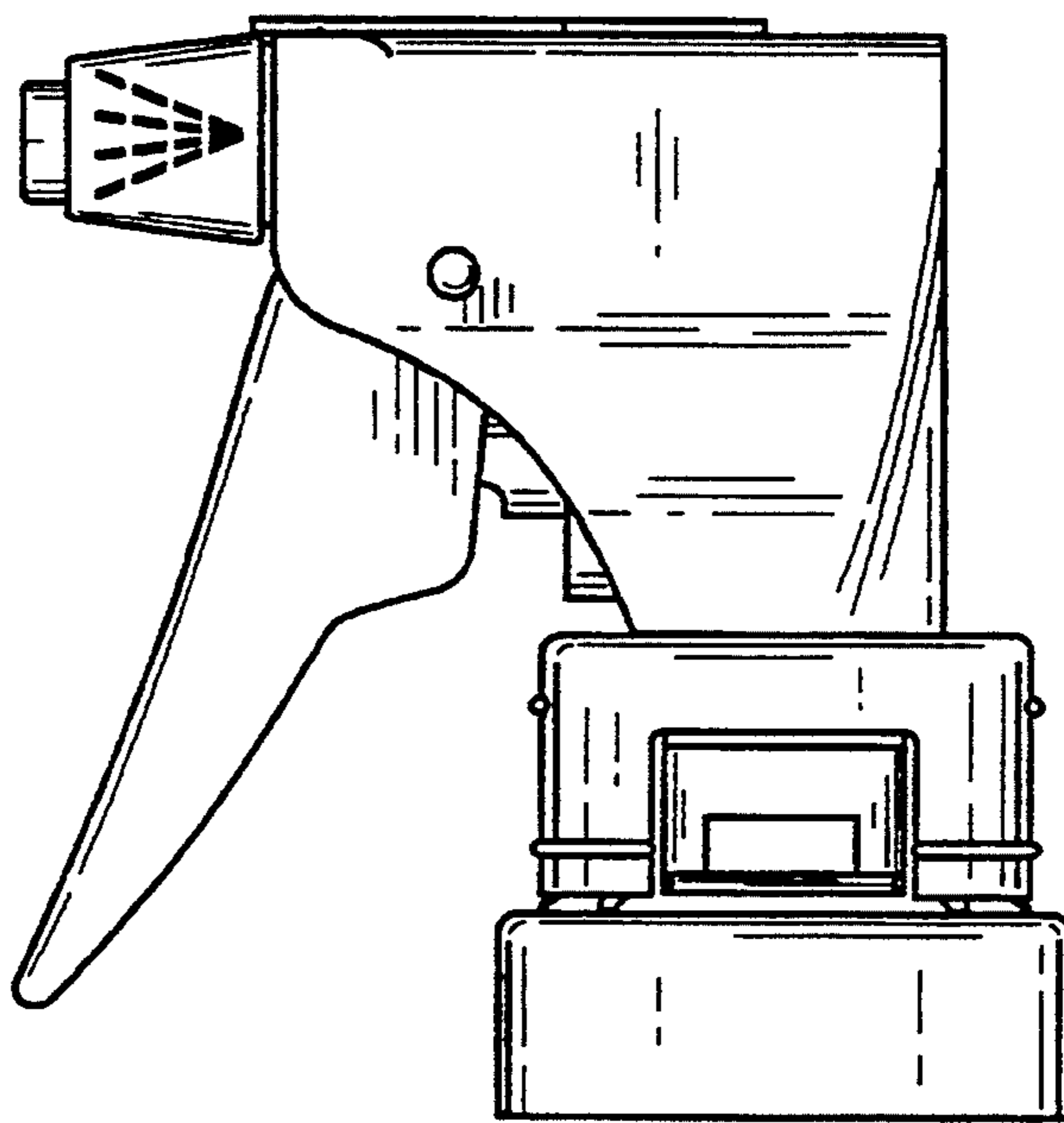


FIG. 3

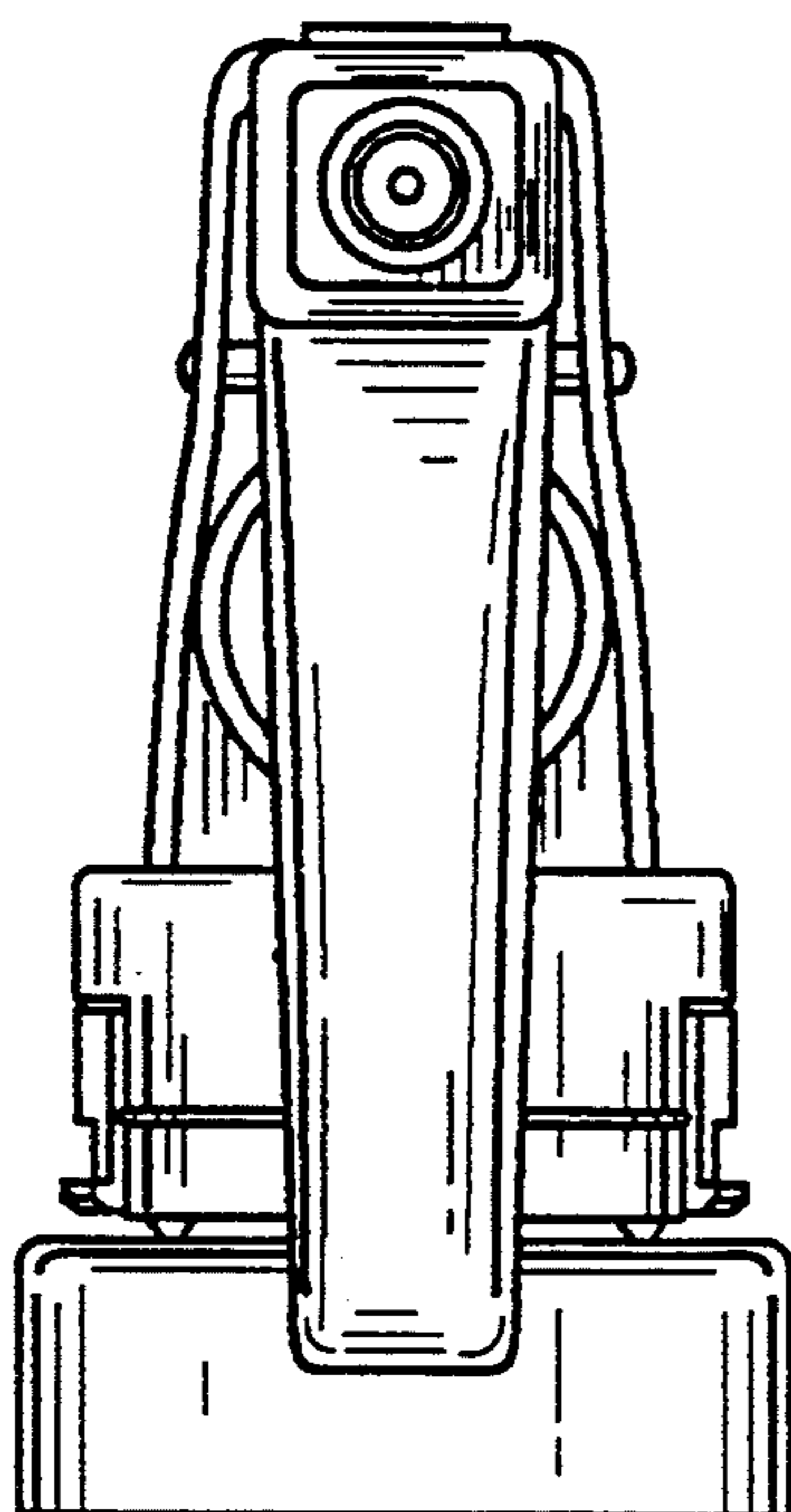


FIG. 4

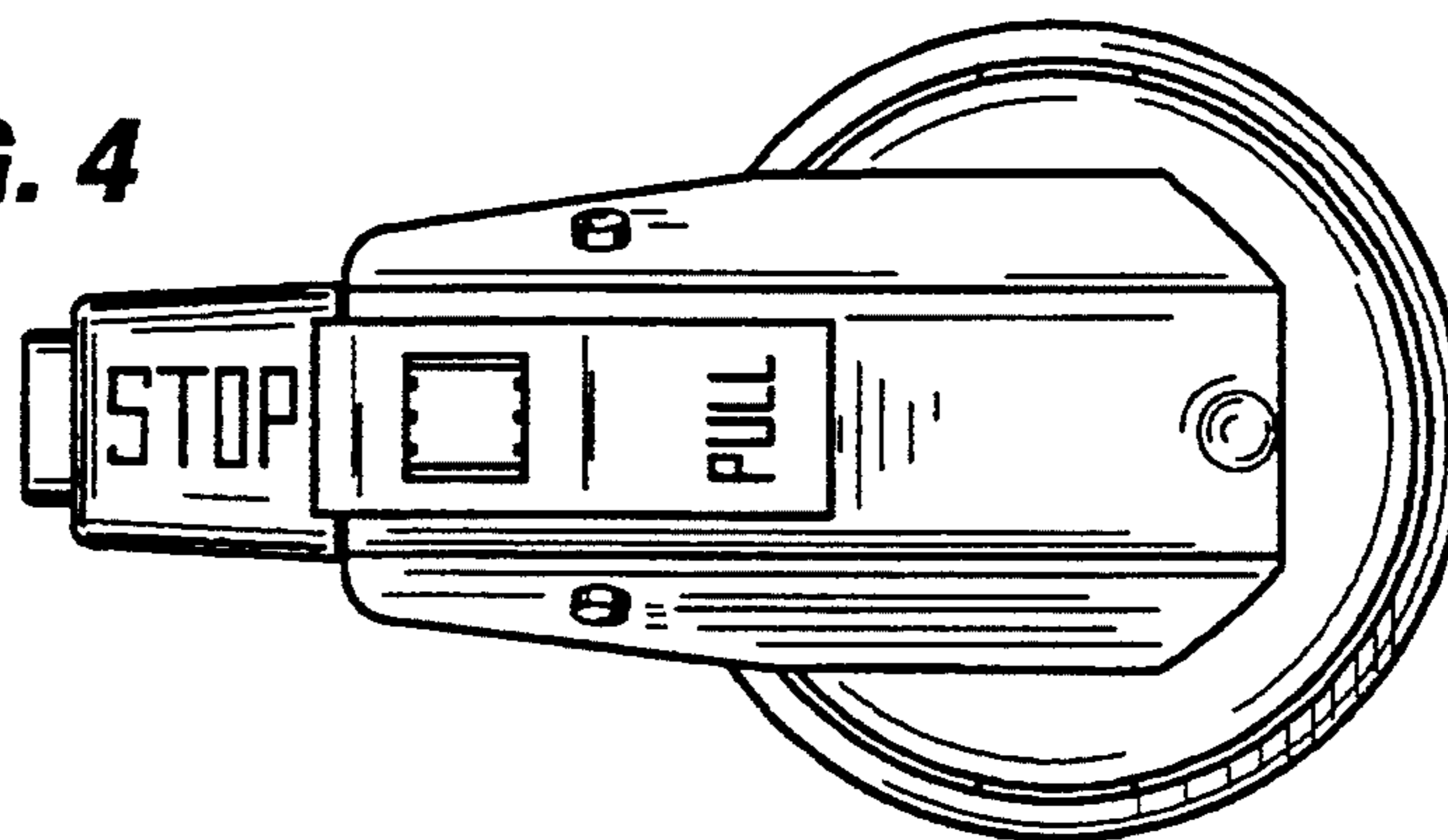


FIG. 5

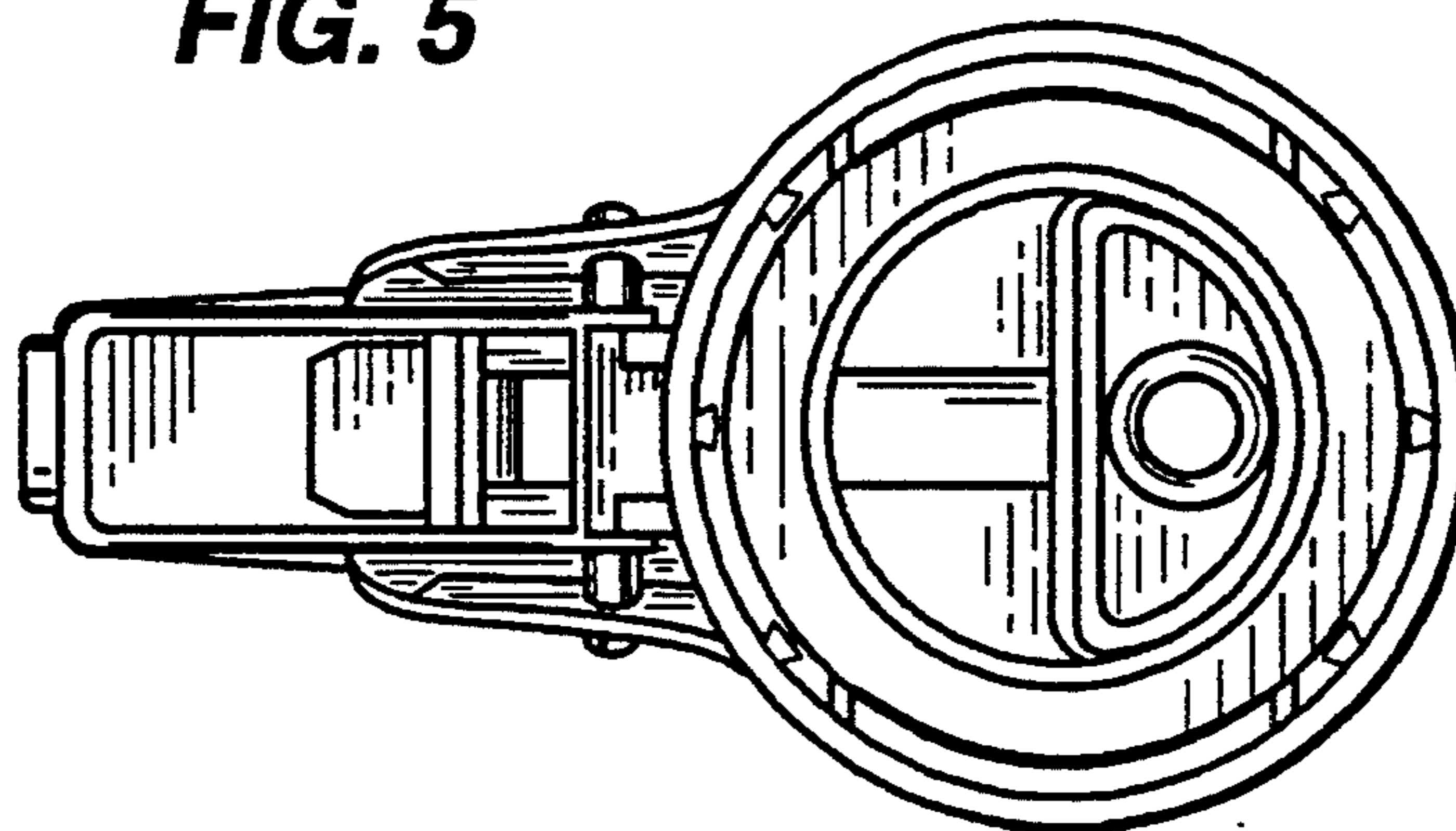


FIG. 6

