



US00D355360S

# United States Patent [19]

[11] Patent Number: **Des. 355,360**

Mund et al.

[45] Date of Patent: **\*\* Feb. 14, 1995**

[54] **STORAGE BOX**

[75] Inventors: **John W. Mund**, Fox Lake, Wis.; **Cari Burns**; **Robert Chieda**, both of Wheaton, Ill.; **Leon C. Clouser, Jr.**, Lombard, Ill.; **Robert A. O'Neil**, Glen Ellyn, Ill.

[73] Assignee: **Sterling Plastics Co.**, Madison, Wis.

[\*\*] Term: **14 Years**

[21] Appl. No.: **9,797**

[22] Filed: **Jun. 22, 1993**

[52] U.S. Cl. .... **D9/423; D9/432**

[58] Field of Search ..... **D9/420-423, D9/337, 432; D3/201, 272, 274, 276, 281, 294; 220/337, 334, 380, 376; 206/566, 216, 235**

[56] **References Cited**

**U.S. PATENT DOCUMENTS**

D. 73,616 10/1927 **McKeon** ..... **D3/272 X**  
D. 168,205 11/1952 **Baustian et al.** ..... **D3/272**

D. 245,579 8/1977 **Jewell** ..... **D9/423 X**  
D. 257,584 12/1980 **Finkel** ..... **D9/423**  
D. 343,120 1/1994 **Lapsker** ..... **D9/423**  
2,375,645 5/1945 **Gordon** ..... **220/337**  
3,902,628 9/1975 **Schurman** ..... **220/343 X**  
5,035,319 7/1991 **Kunisch** ..... **206/566 X**

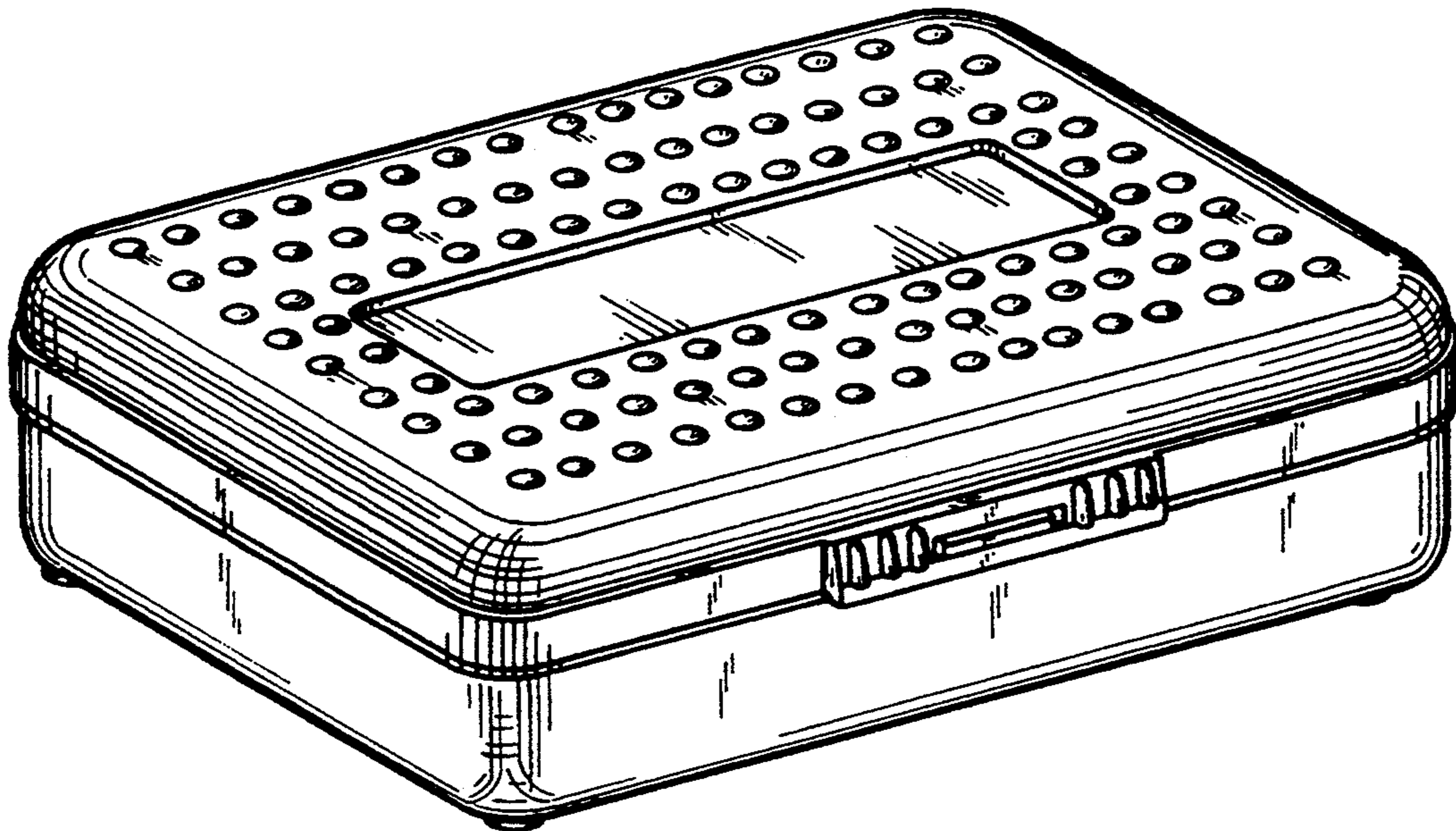
*Primary Examiner*—**Prabhakar G. Deshmukh**  
*Attorney, Agent, or Firm*—**Foley & Lardner**

[57] **CLAIM**

The ornamental design for a storage box, as shown and described.

**DESCRIPTION**

FIG. 1 is a perspective view of a storage box showing our new design;  
FIG. 2 is a top plan view thereof;  
FIG. 3 is a front elevational view thereof;  
FIG. 4 is a bottom view thereof;  
FIG. 5 is a rear elevational view thereof; and,  
FIG. 6 is a left side elevational view thereof; the right side elevational view being a mirror image thereof.



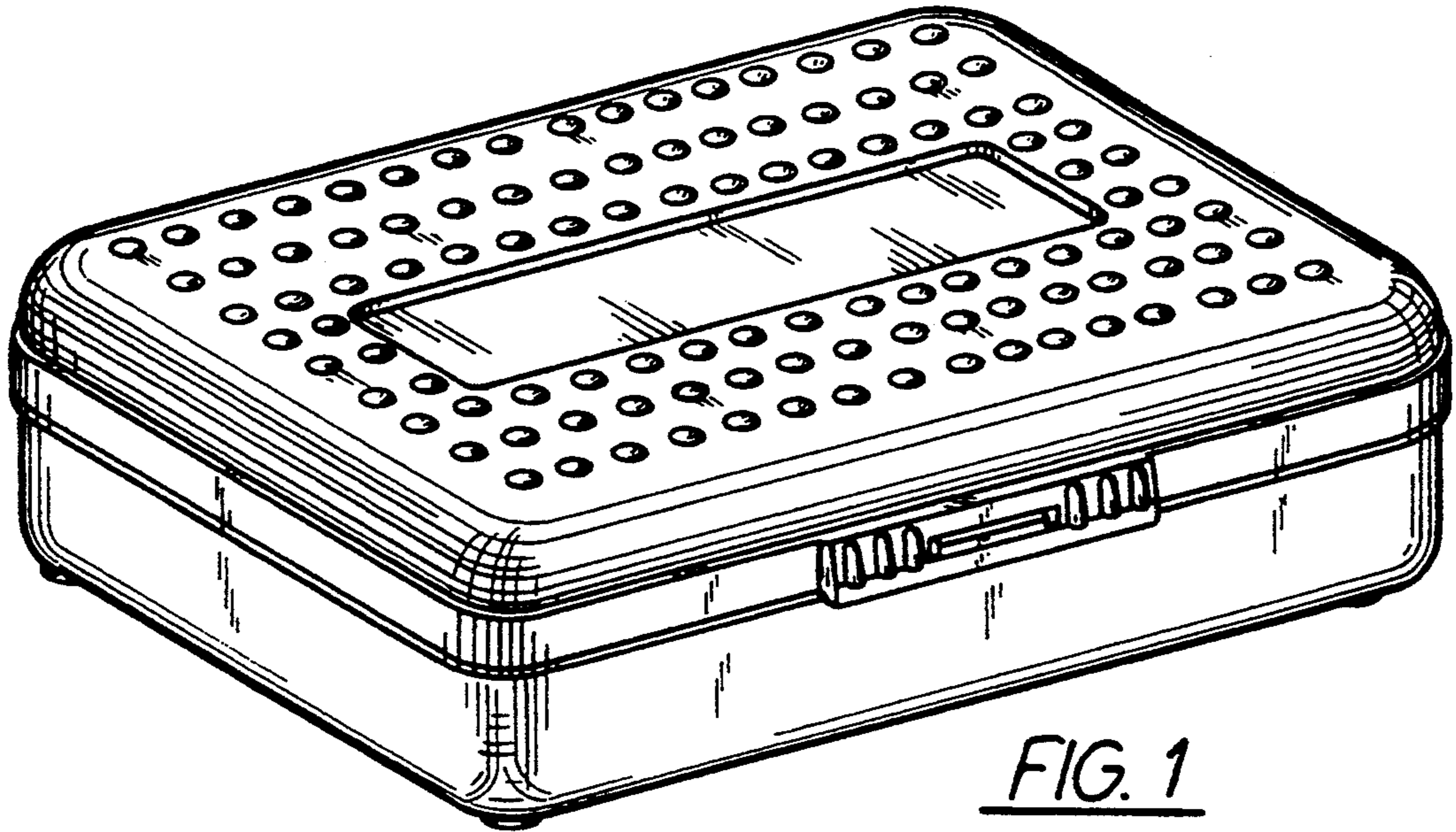


FIG. 1

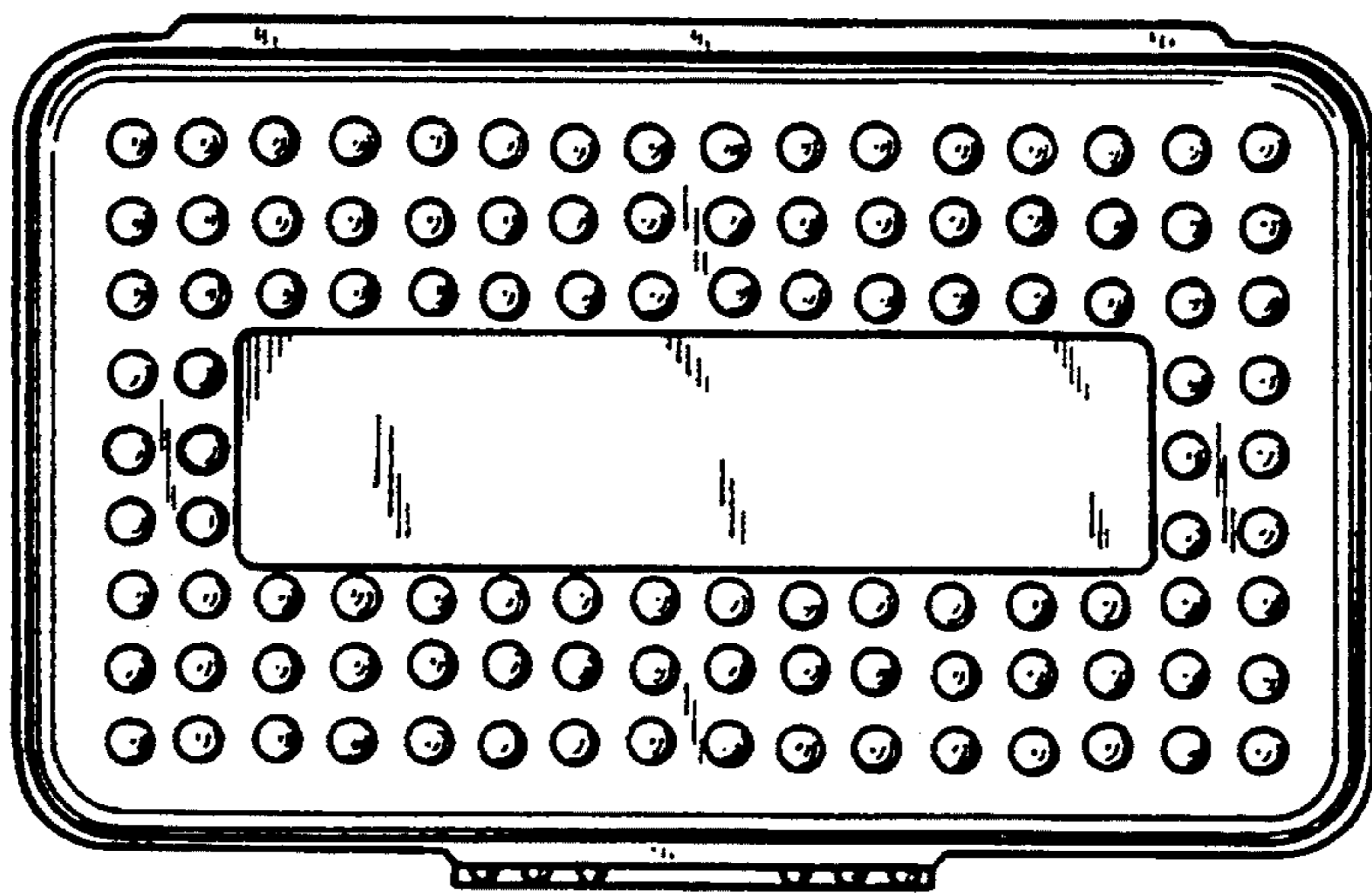


FIG. 2

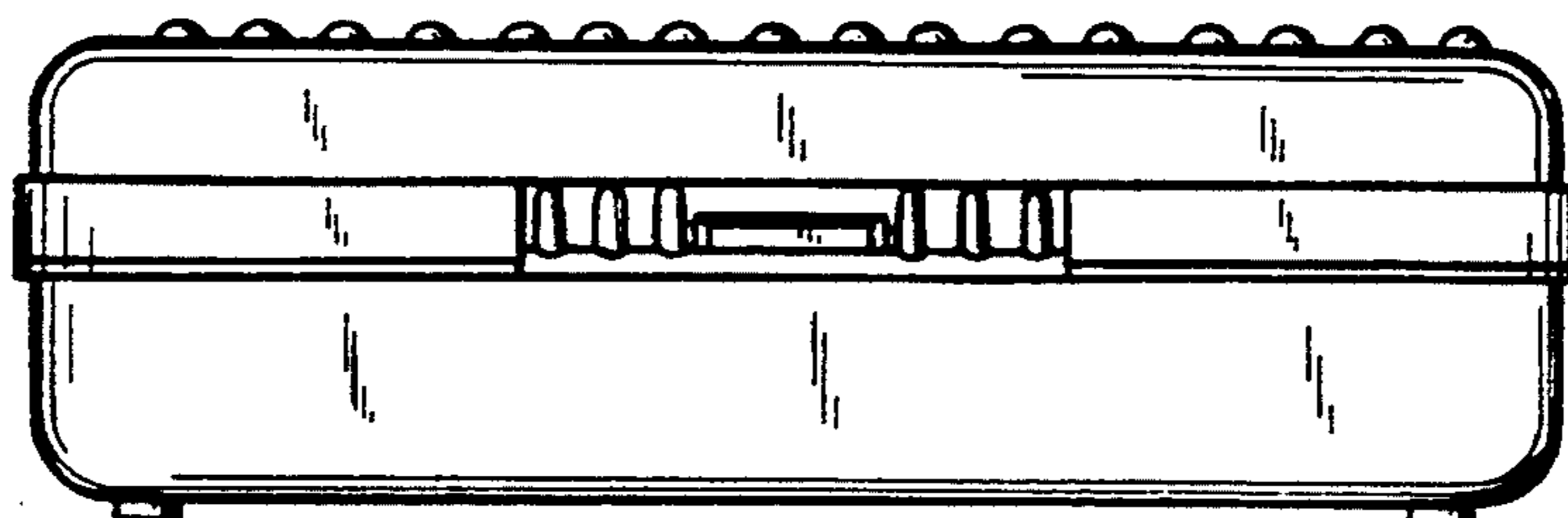


FIG. 3

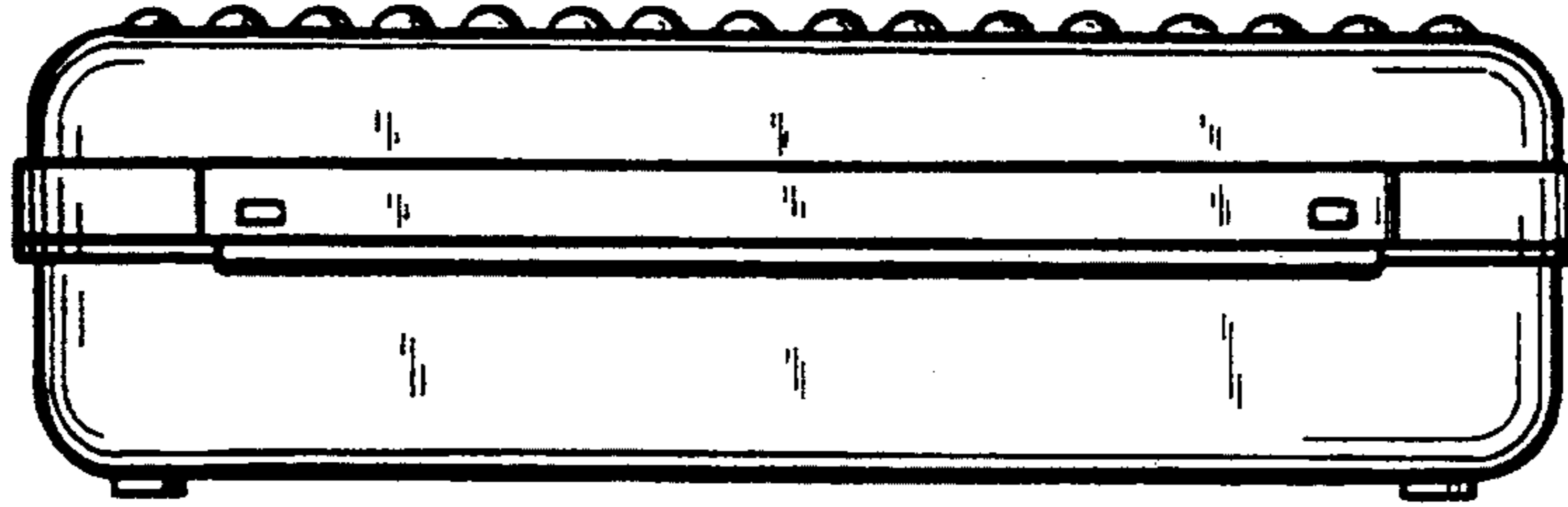


FIG. 5

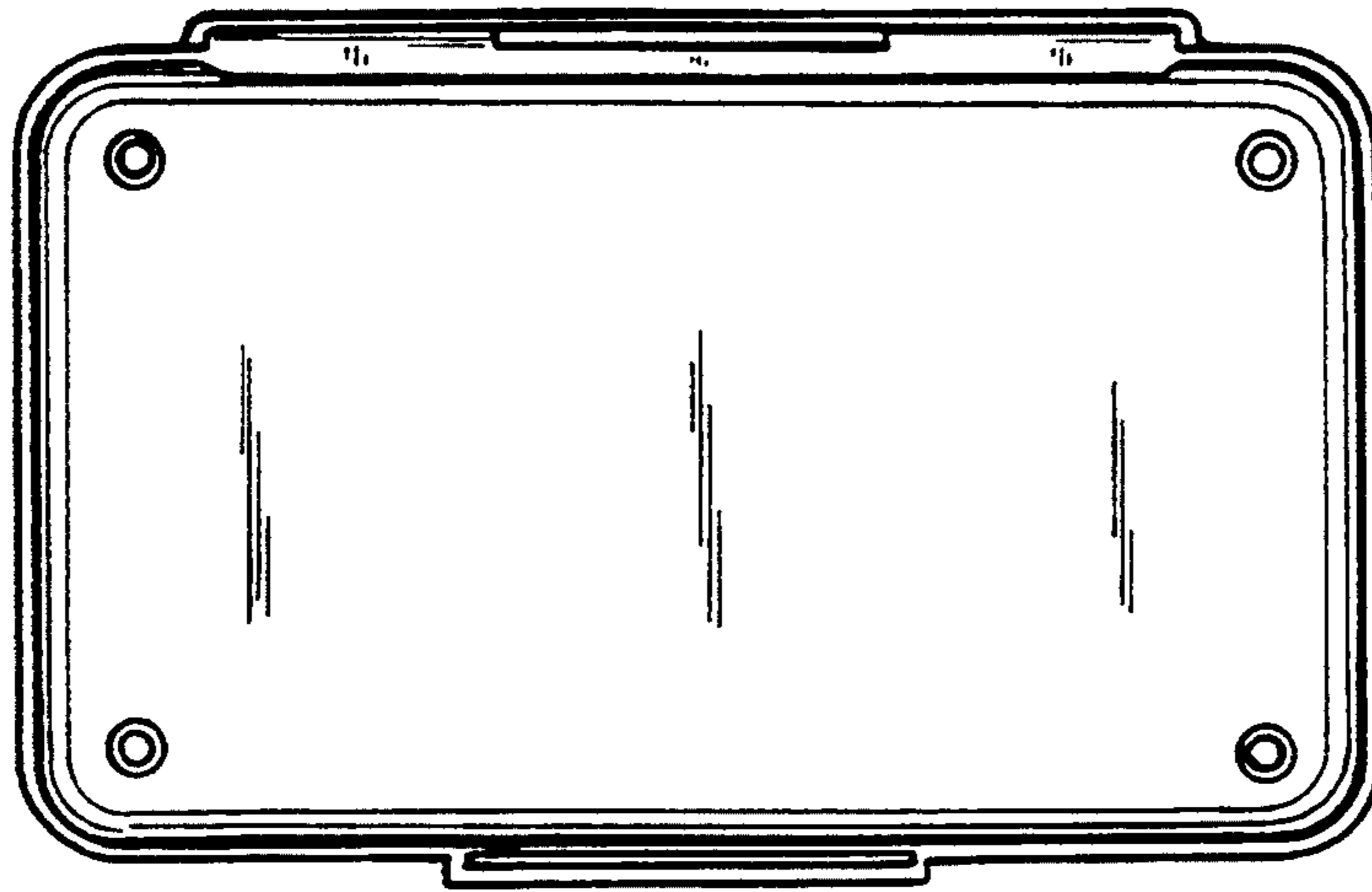


FIG. 4

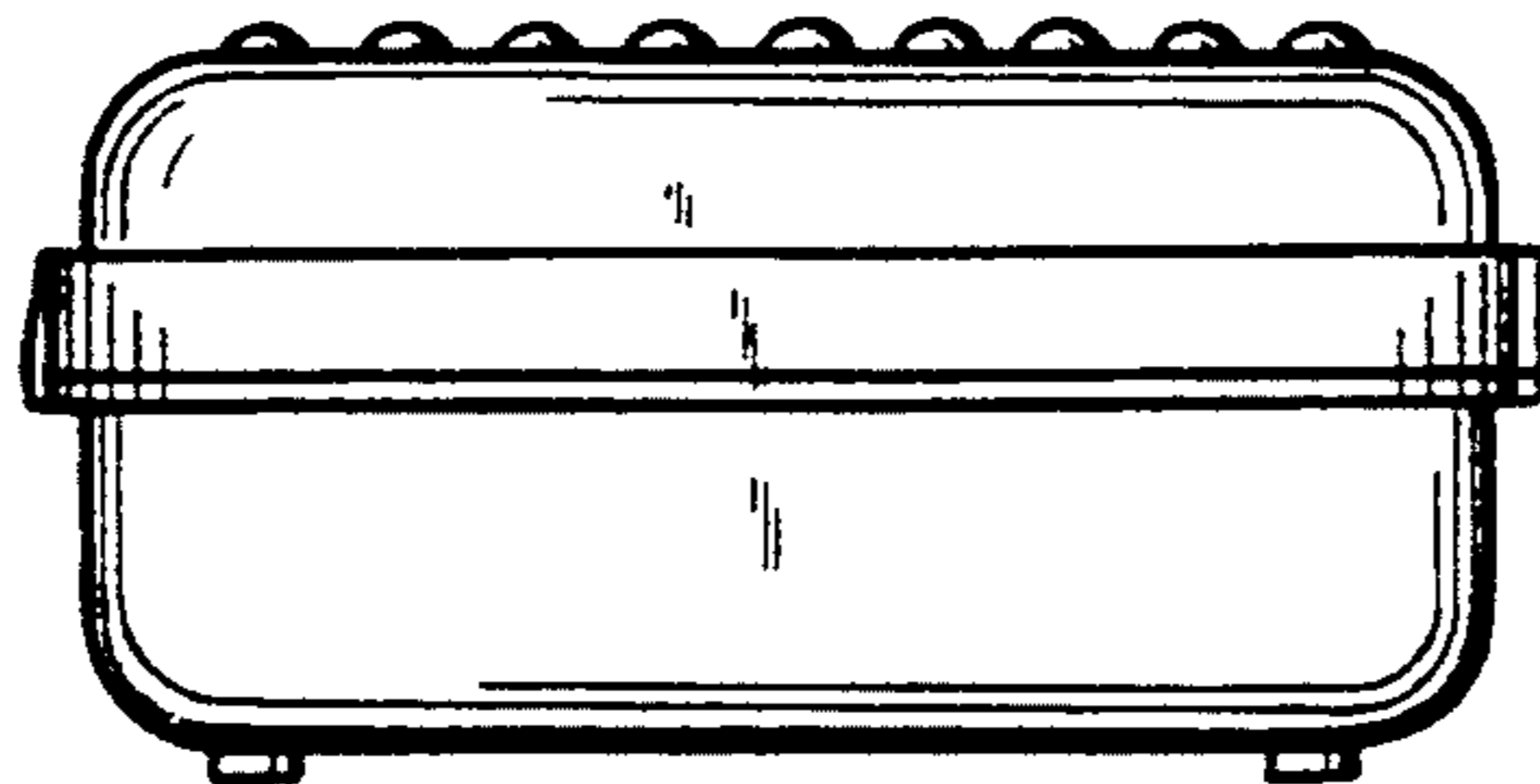


FIG. 6