



US00D355359S

# United States Patent [19]

[11] Patent Number: **Des. 355,359**

**Herzog**

[45] Date of Patent: **\*\* Feb. 14, 1995**

[54] **WRISTWATCH BOX**

[76] Inventor: **Jack L. Herzog**, 5702 Durocher Street, Montreal, Canada, H2V 3Y2

[\*\*] Term: **14 Years**

[21] Appl. No.: **15,188**

[22] Filed: **Nov. 10, 1993**

[52] U.S. Cl. .... **D9/422**

[58] Field of Search ..... **D9/422, 424, 415, 432, D9/428; 206/45.19, 45.13, 45.14, 6.1, 301, 566, 594, 524.3; 224/903; 220/356, 353, 352, 359, 253, 254, 257**

[56] **References Cited**

**U.S. PATENT DOCUMENTS**

D. 219,868	2/1971	Madl et al. ....	D9/422
D. 343,357	1/1994	Masunaga .....	D9/422
4,199,059	4/1980	Maroszek .....	206/45.19 X
4,642,835	2/1987	Schmitz .....	220/353 X
4,848,586	7/1989	Jasik .....	206/45.19 X

**FOREIGN PATENT DOCUMENTS**

2017646 10/1979 United Kingdom ..... 220/353

*Primary Examiner*—Prabhakar G. Deshmukh  
*Attorney, Agent, or Firm*—Pollock, Vande Sande & Priddy

[57] **CLAIM**

The ornamental design for a wristwatch box, as shown and described.

**DESCRIPTION**

FIG. 1 is a perspective view of a wristwatch box showing my new design;  
FIG. 2 is a top plan view thereof;  
FIG. 3 is a bottom plan view thereof;  
FIG. 4 is an exploded perspective view thereof; with a cover shown in separated condition for clarity;  
FIG. 5 is a front elevational view of FIG. 1; the rear elevational view being a mirror image thereof;  
FIG. 6 is an exploded rear elevational view of FIG. 4;  
FIG. 7 is a right side elevational view of FIG. 1; and,  
FIG. 8 is a left side elevational view of FIG. 1.

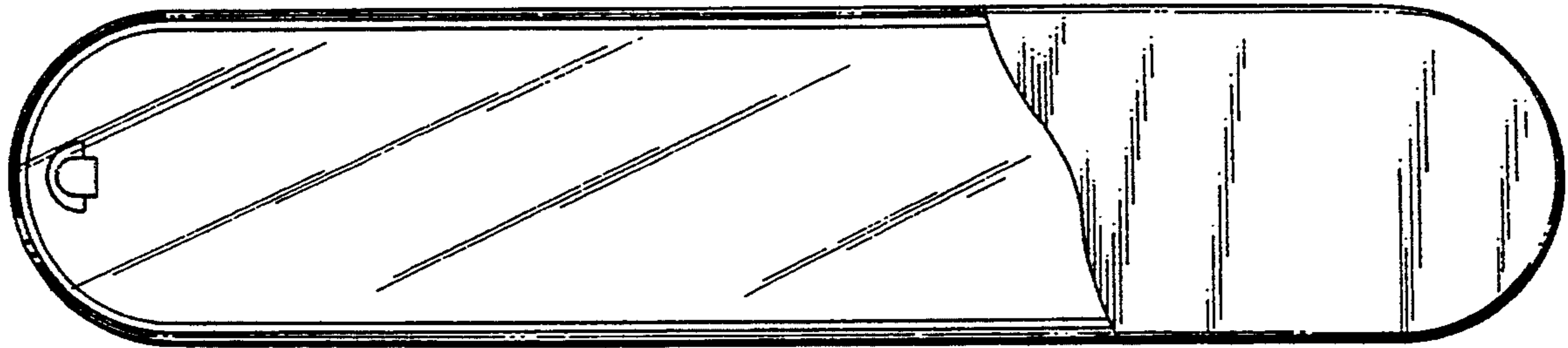


FIG. 1

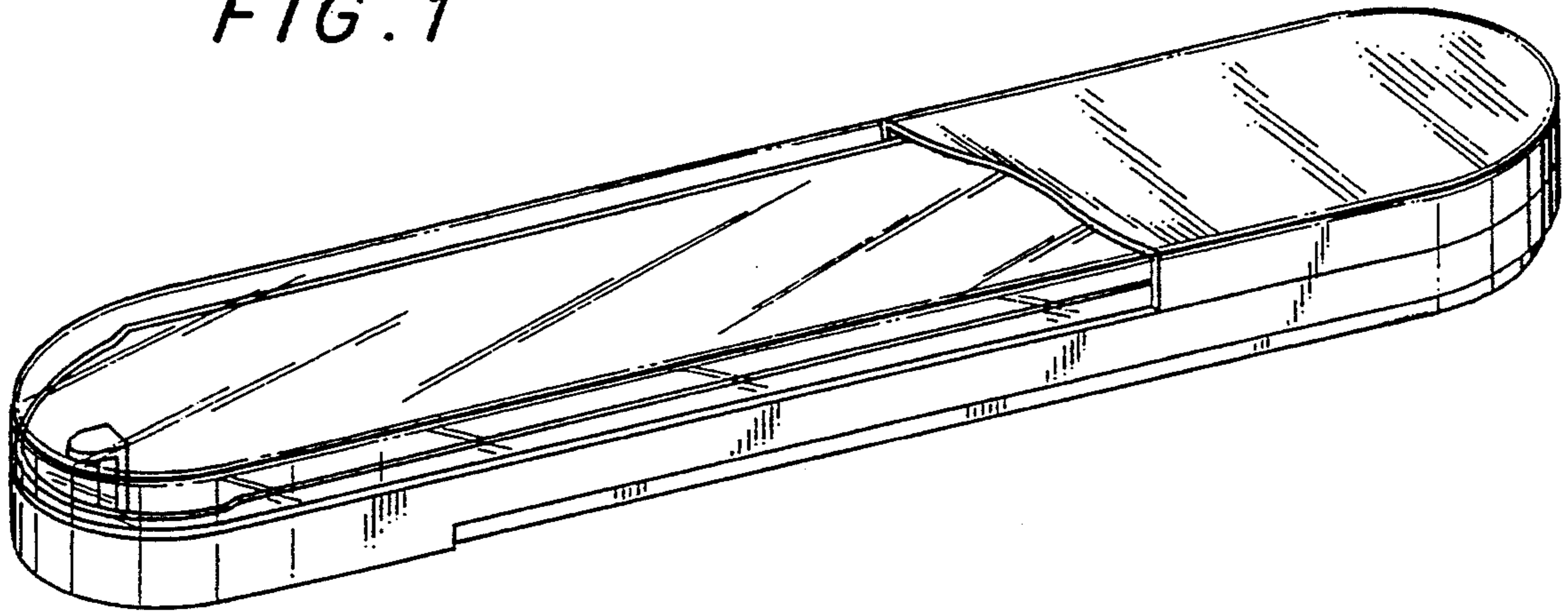


FIG. 2

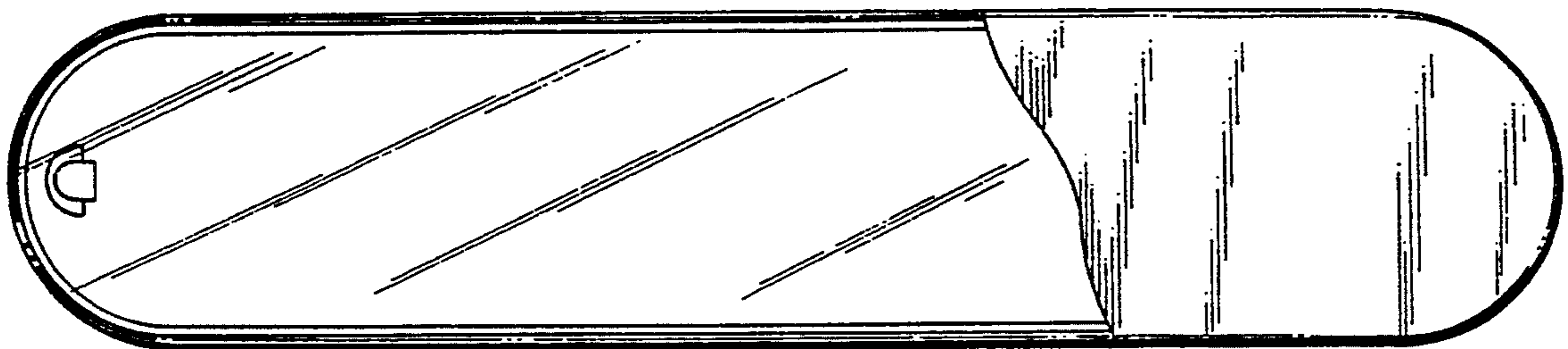


FIG. 3

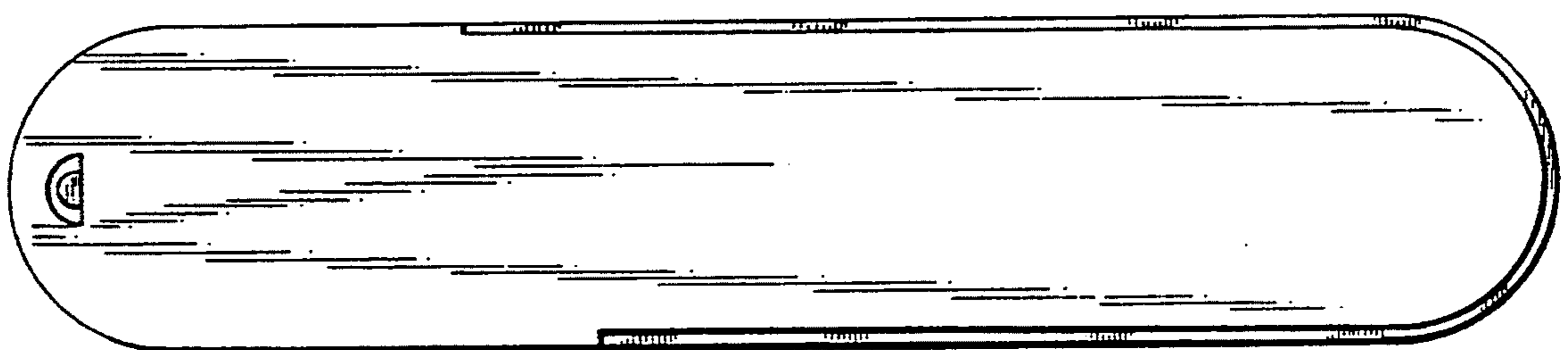


FIG. 4

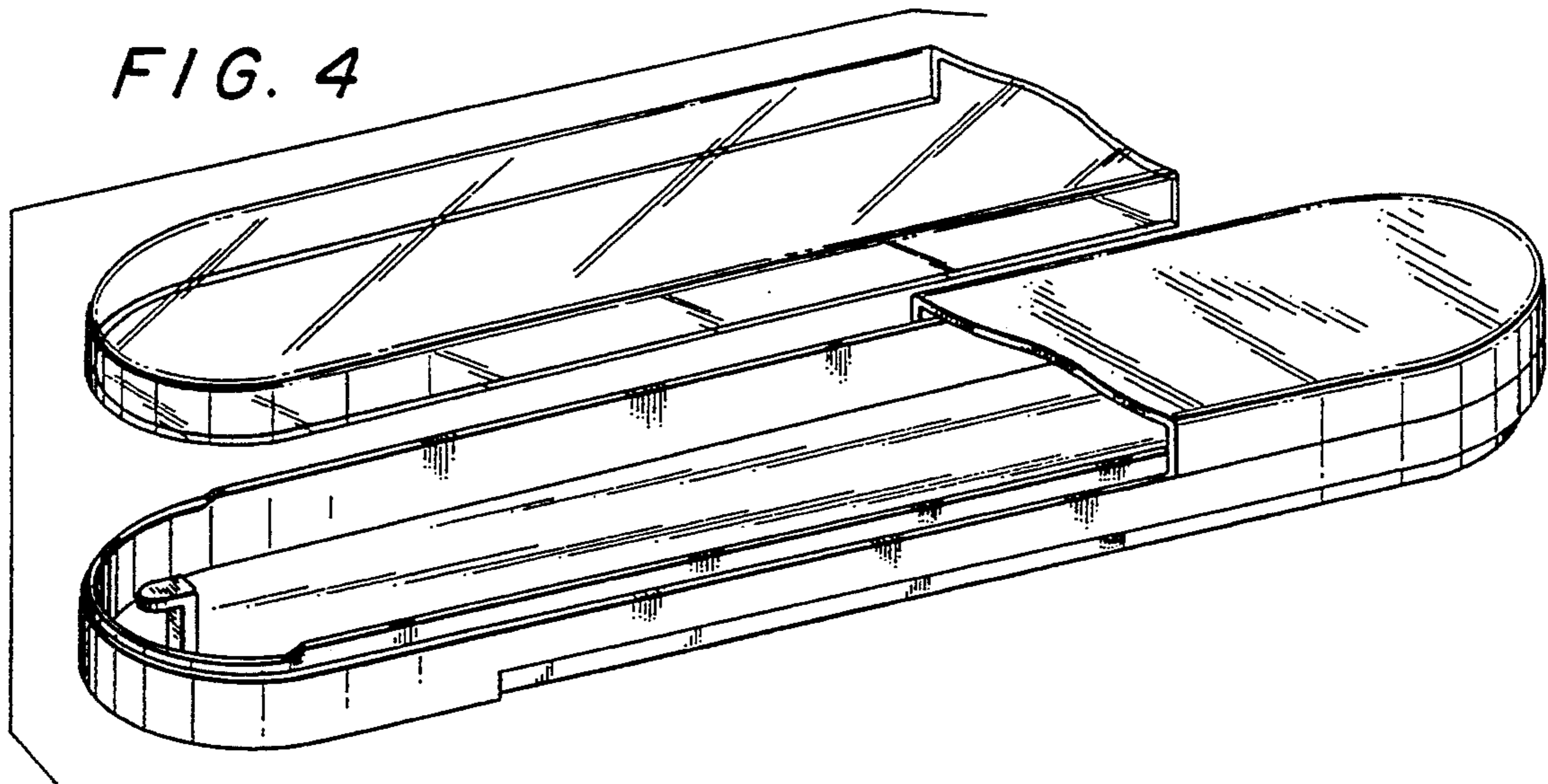


FIG. 5

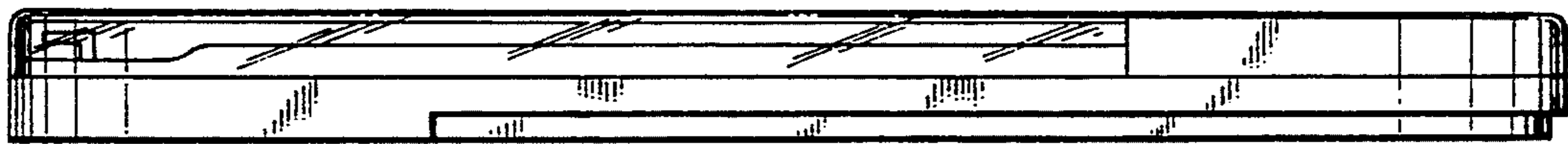


FIG. 6

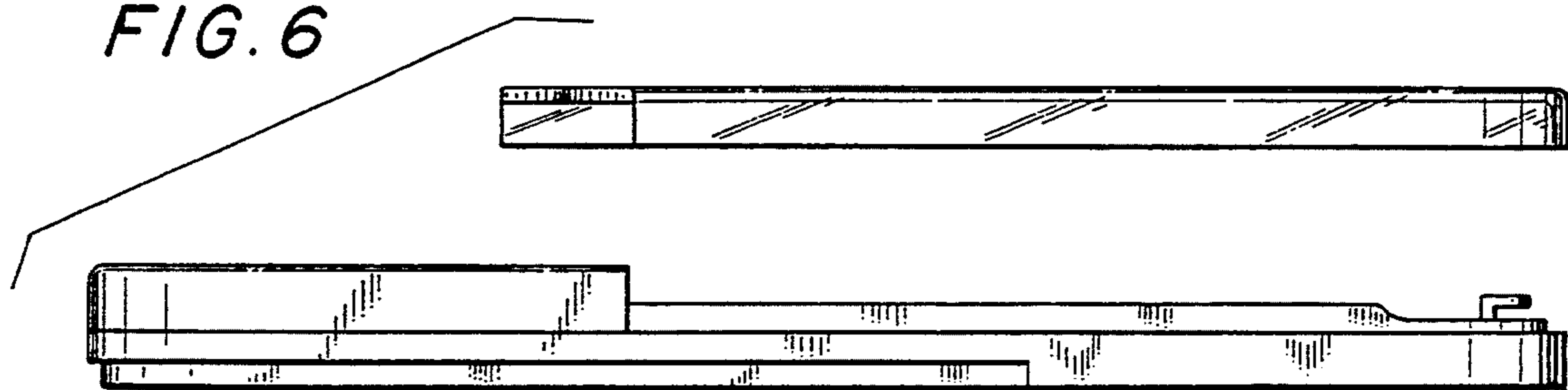


FIG. 7



FIG. 8

