



US00D355355S

United States Patent [19]

[11] Patent Number: **Des. 355,355**

Campbell et al.

[45] Date of Patent: **** Feb. 14, 1995**

[54] **EXTERNAL SURFACE OF A SPLINED NUT**

4,289,210 9/1981 Schoeffler 173/205

[75] Inventors: **Paul B. Campbell, Roanoke; Robert R. Kimberlin, Troutville, both of Va.**

4,319,646 3/1982 Emonet 173/111

5,139,093 8/1992 Lyon et al. 173/111

[73] Assignee: **Ingersoll-Rand Company, Woodcliff Lake, N.J.**

Primary Examiner—B. J. Bullock
Attorney, Agent, or Firm—John J. Selko

[**] Term: **14 Years**

[57] **CLAIM**

[21] Appl. No.: **338**

The ornamental design for an external surface of a splined nut, as shown and described.

[22] Filed: **Oct. 9, 1992**

DESCRIPTION

[52] U.S. Cl. **D8/397**

[58] Field of Search D8/397, 61; D25/120, D25/121, 122, 123; 411/427, 918; 173/97, 104, 105, 111, 205

FIG. 1 is a top perspective view of an external surface for a splined nut showing our new design;

FIG. 2 is a reduced top view thereof, the bottom being a mirror image;

FIG. 3 is a front view taken in the direction of the arrows on line 3—3 of FIG. 2;

FIG. 4 is a rear view taken in the direction of the arrows on line 4—4 of FIG. 2;

FIG. 5 is left side view taken in the direction of the arrows on line 5—5 of FIG. 2, the right side being a mirror image; and,

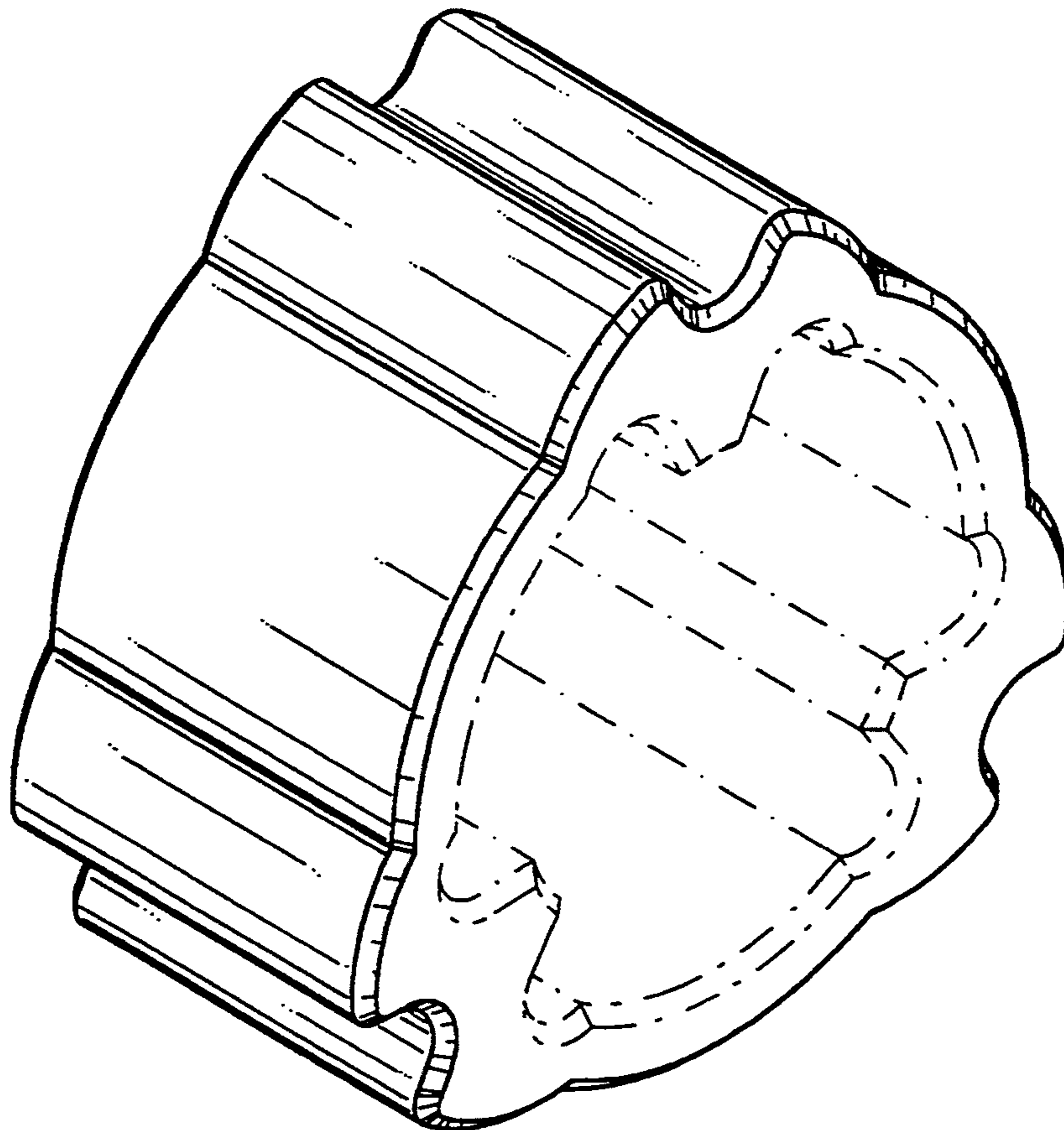
FIG. 6 is a top perspective view of a second embodiment of the design of FIG. 1, the only difference being the omission of the chamfered edges.

The broken lines showing the internal surface of the splined nut are for illustrative purposes only and form no part of the claimed design.

[56] **References Cited**

U.S. PATENT DOCUMENTS

771,218	9/1904	Gilman	173/111
1,084,270	1/1914	Hansen	173/111
1,141,650	6/1915	Oldham	173/111
1,740,684	12/1929	Gartin	173/111
2,572,840	10/1951	Curtis	173/97
2,970,483	2/1961	Schrum, Jr.	173/205
3,149,681	9/1964	Drew	173/97
3,166,131	1/1965	Worman	173/111
3,322,208	5/1967	Skoog	173/205
3,517,754	6/1970	Hughes	173/104



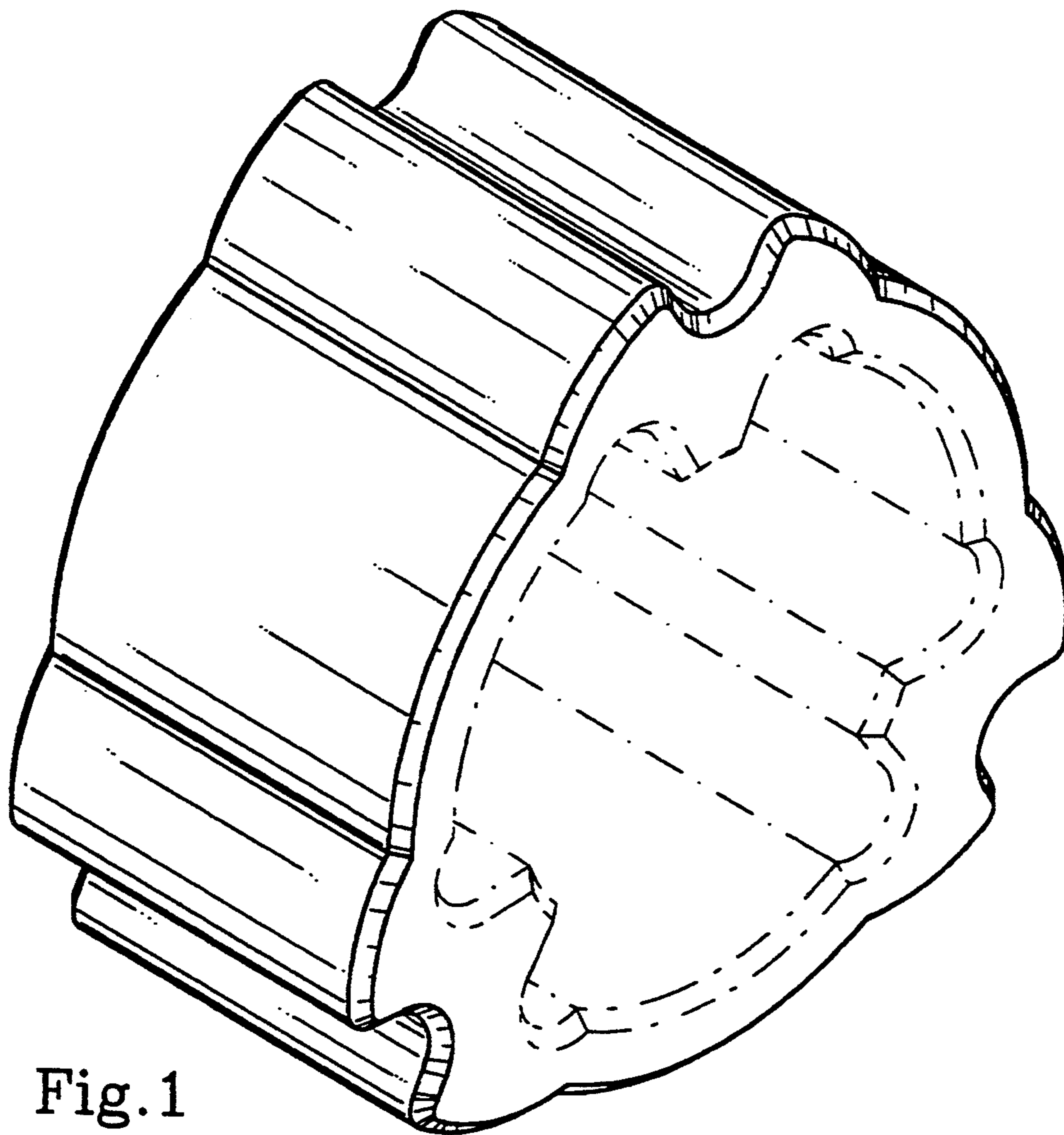


Fig. 1

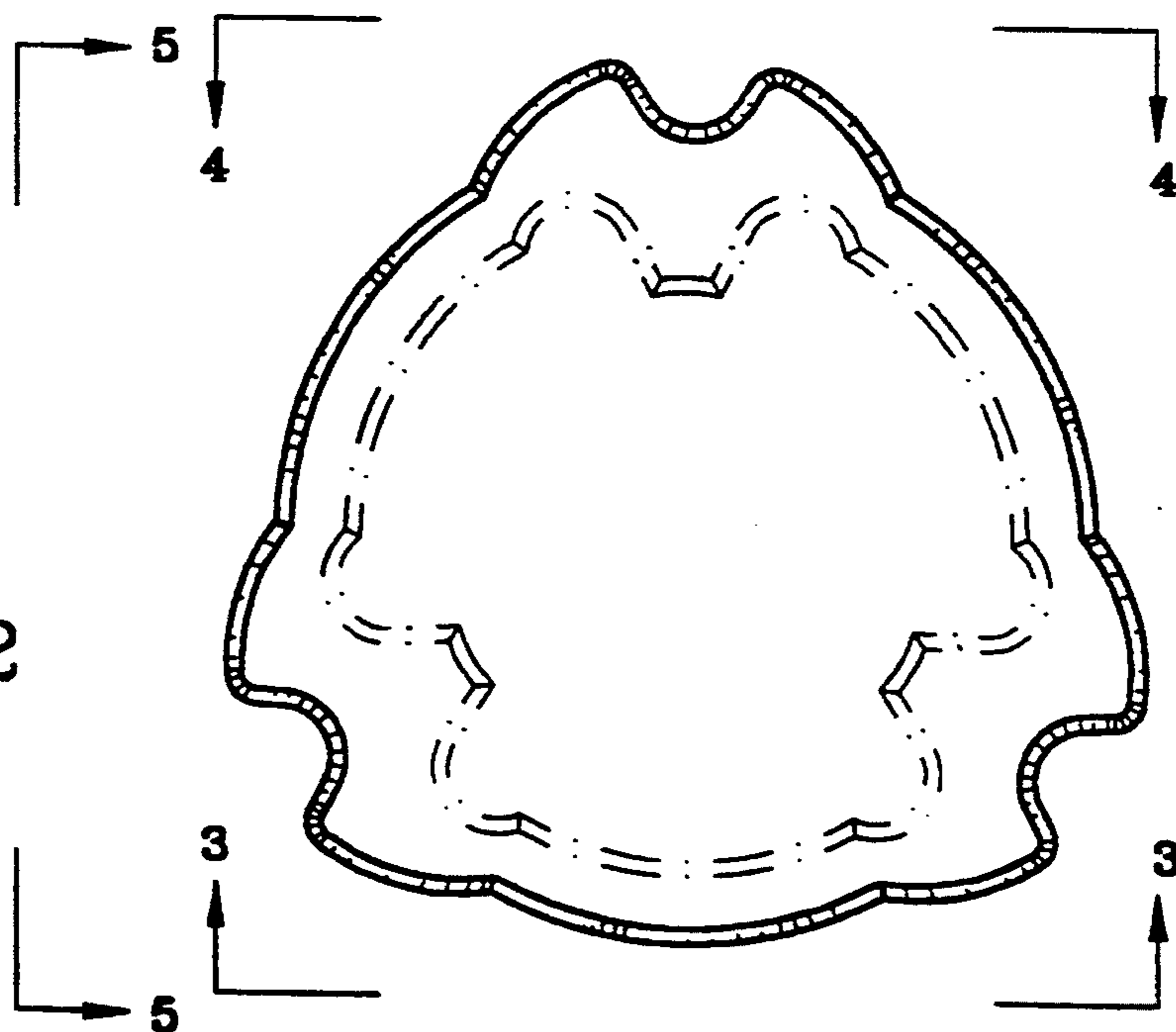


Fig. 2

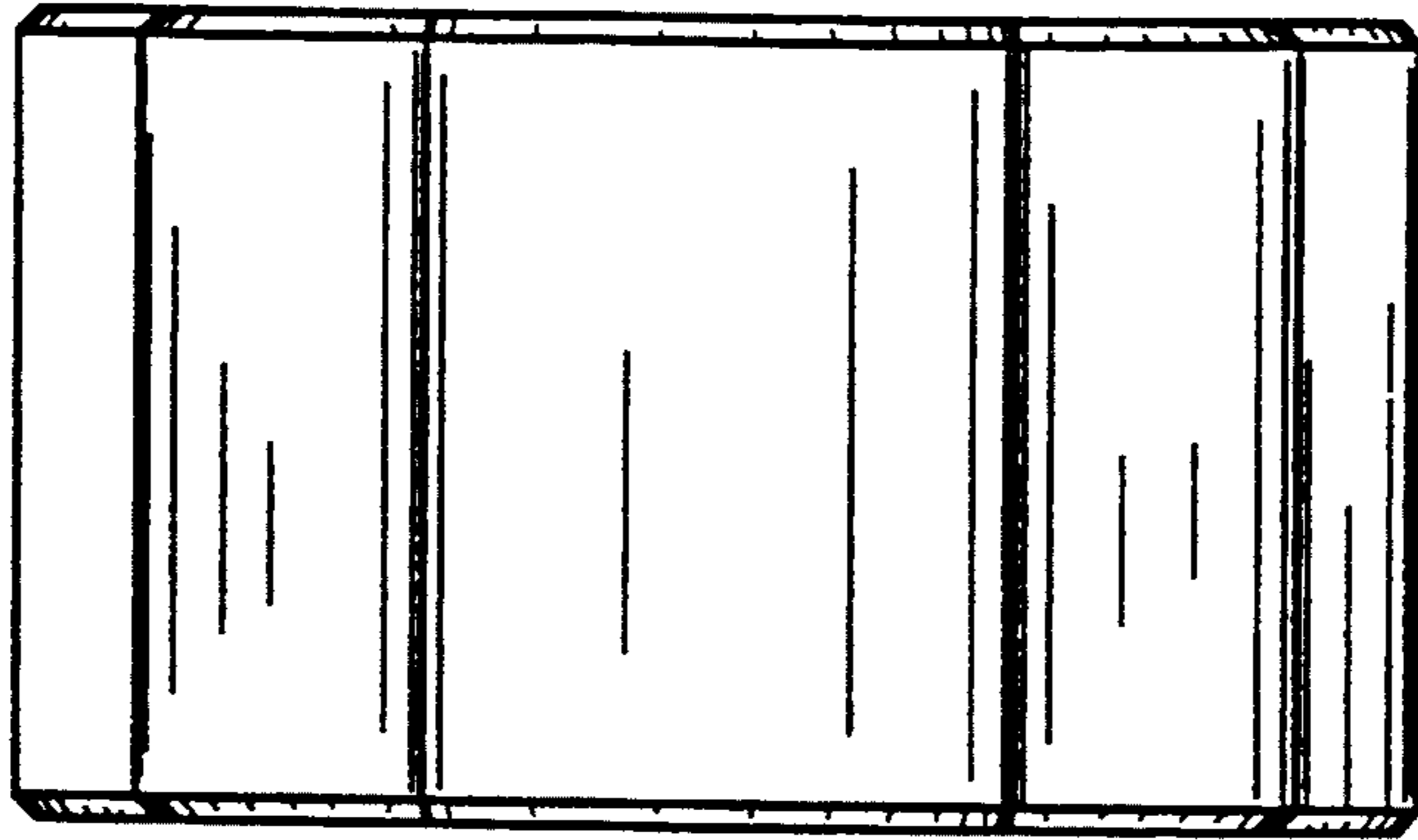


Fig.3

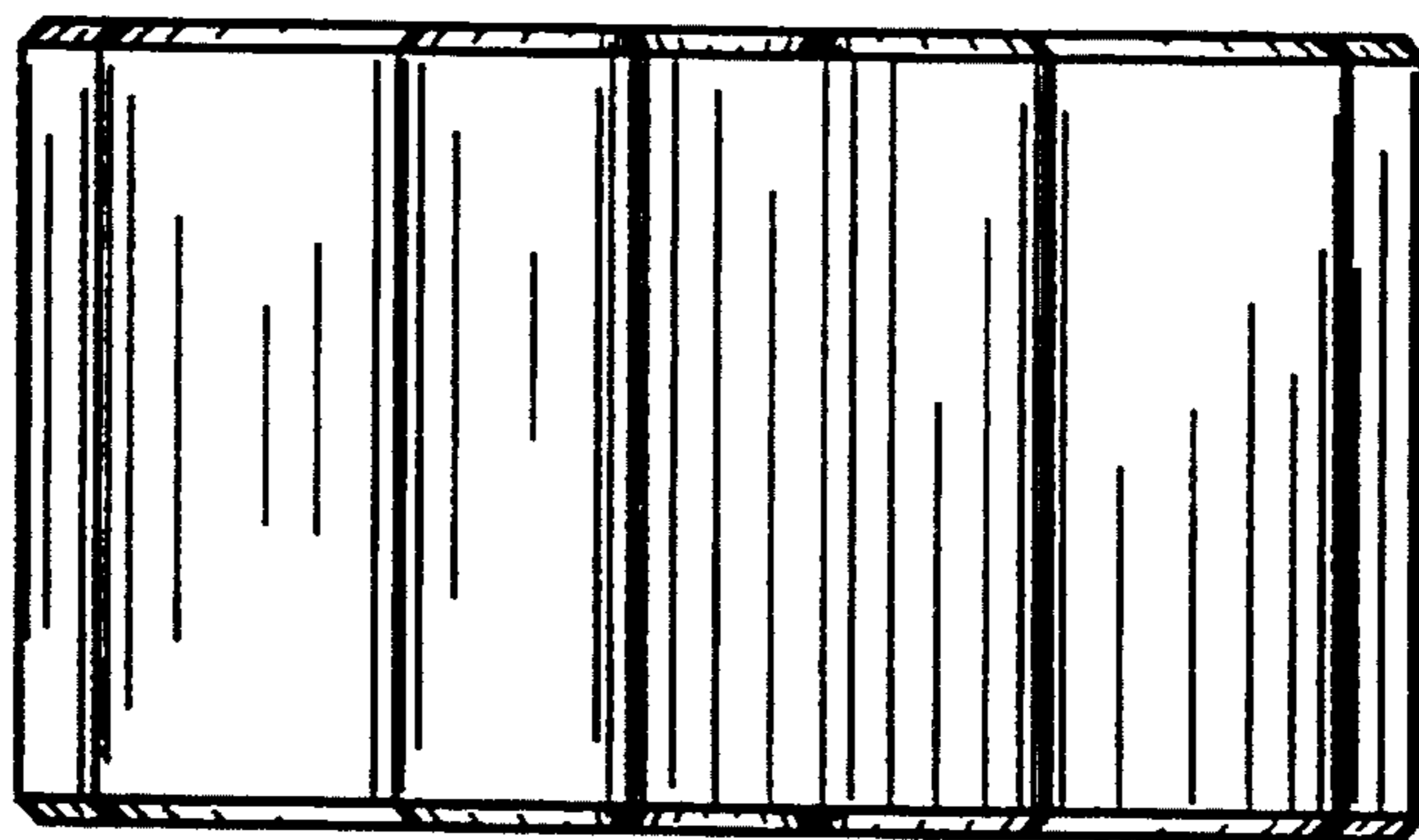


Fig.4

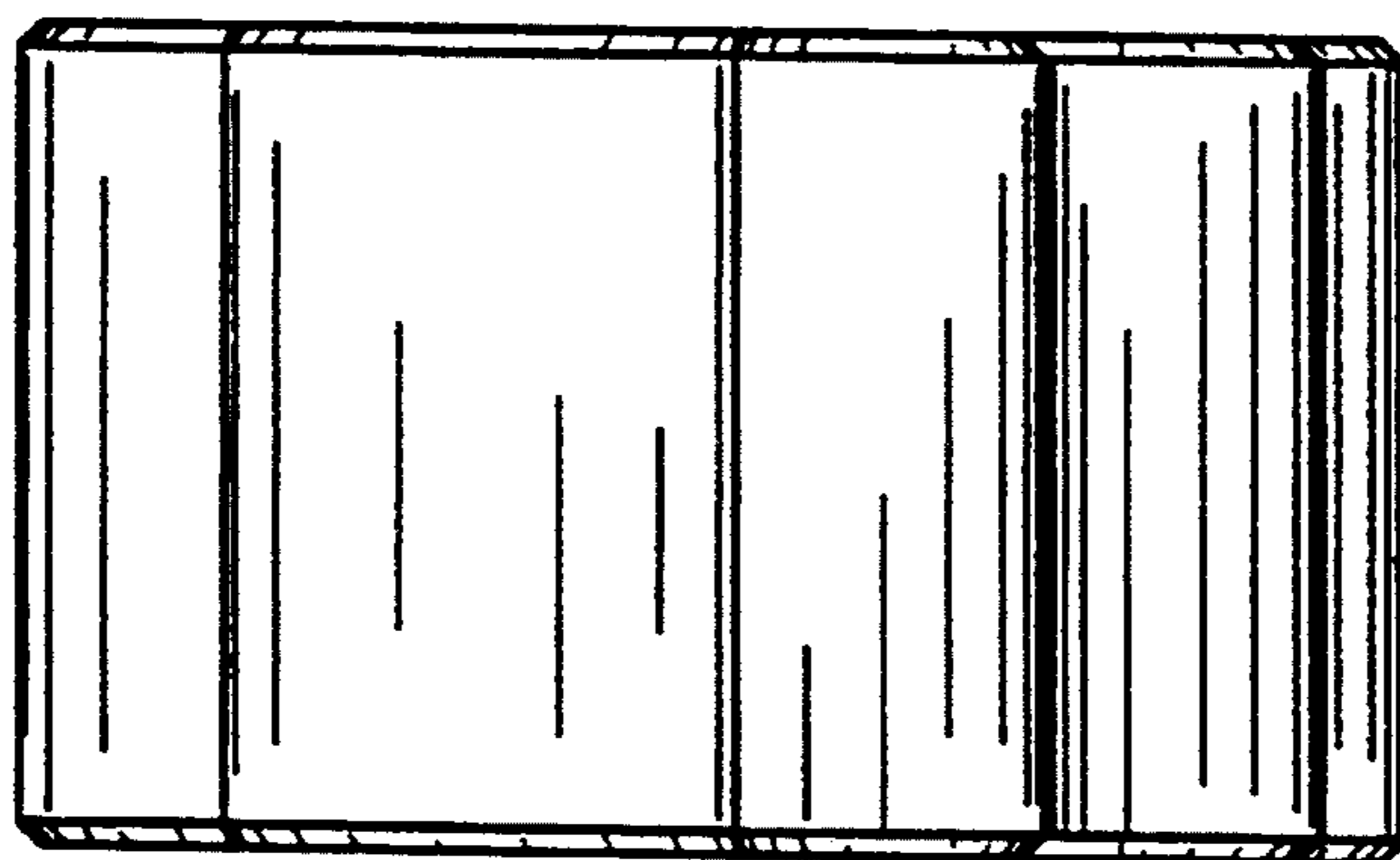


Fig.5

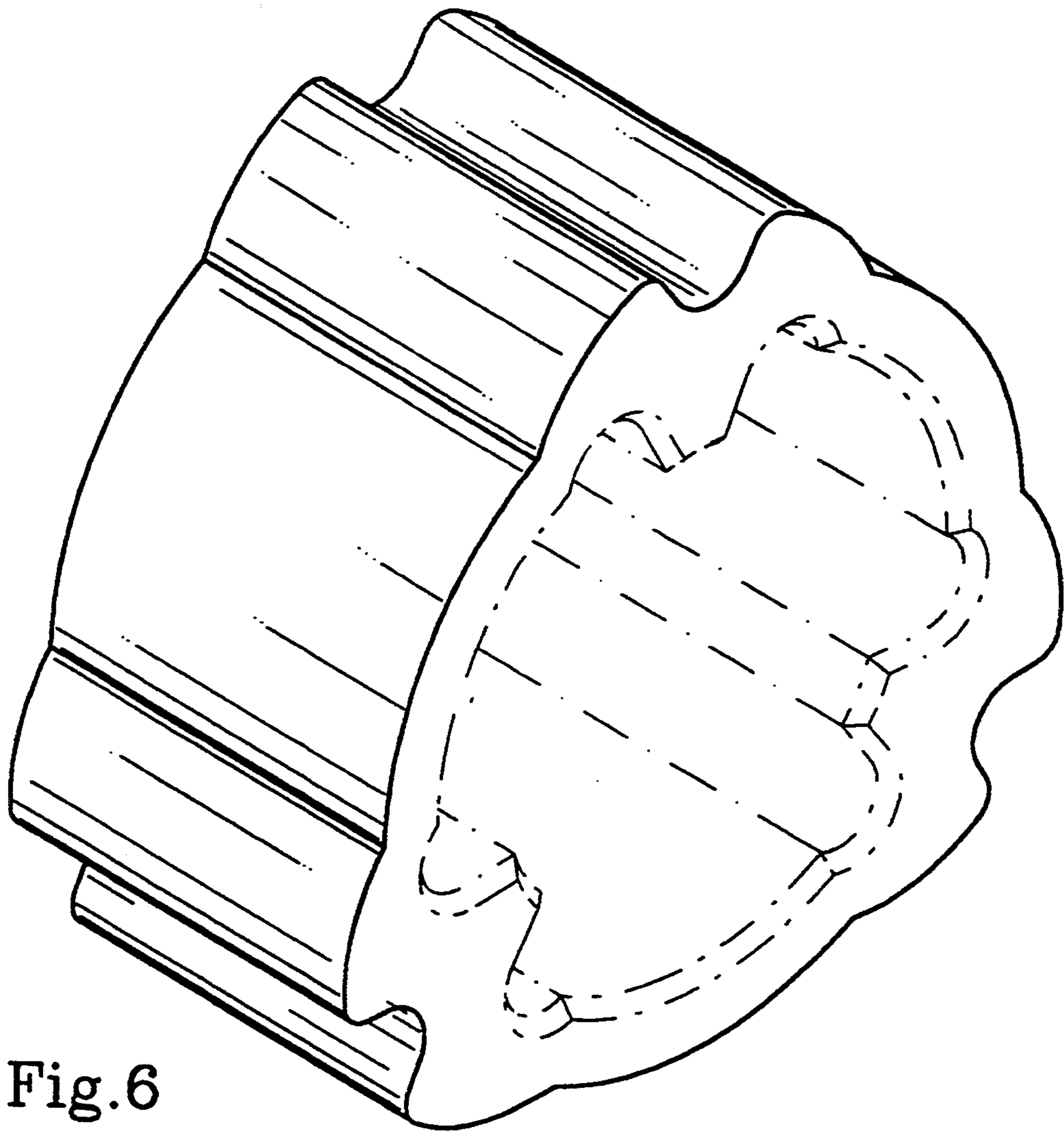


Fig. 6