



US00D355353S

United States Patent [19] Pozzi

[11] Patent Number: **Des. 355,353**

[45] Date of Patent: **** Feb. 14, 1995**

[54] **AWNING HOUSING**

[75] Inventor: **Carlo M. Pozzi**, Ruvigliana,
Switzerland

[73] Assignees: **Fiamma S.P.A.**, Cardano, Italy;

[**] Term: **14 Years**

[21] Appl. No.: **5,827**

[22] Filed: **Mar. 12, 1993**

[30] **Foreign Application Priority Data**

Mar. 6, 1992 [EP] European Pat. Off. 92401505.0

[52] U.S. Cl. **D8/377; D25/124**

[58] Field of Search **D25/57, 124;**
D8/376-377; 52/74-78; 160/33, 23.1, 13, 19,
39, 22, 45, 41, DIG. 5, 250, 238; 248/273

[56] **References Cited**

U.S. PATENT DOCUMENTS

D. 245,756 9/1977 McKee D25/57

D. 292,874 11/1987 Clauss D8/377
2,547,692 4/1951 D'Azzo 160/45
3,918,510 11/1975 Haywood 160/45
4,615,371 10/1986 Clauss 960/22

Primary Examiner—Doris Clark
Attorney, Agent, or Firm—Curtis, Morris & Safford

[57] CLAIM

The ornamental design for an awning housing, as shown and described.

DESCRIPTION

FIG. 1 is a front perspective view of an awning housing showing my new design;

FIG. 2 is a top plan view thereof;

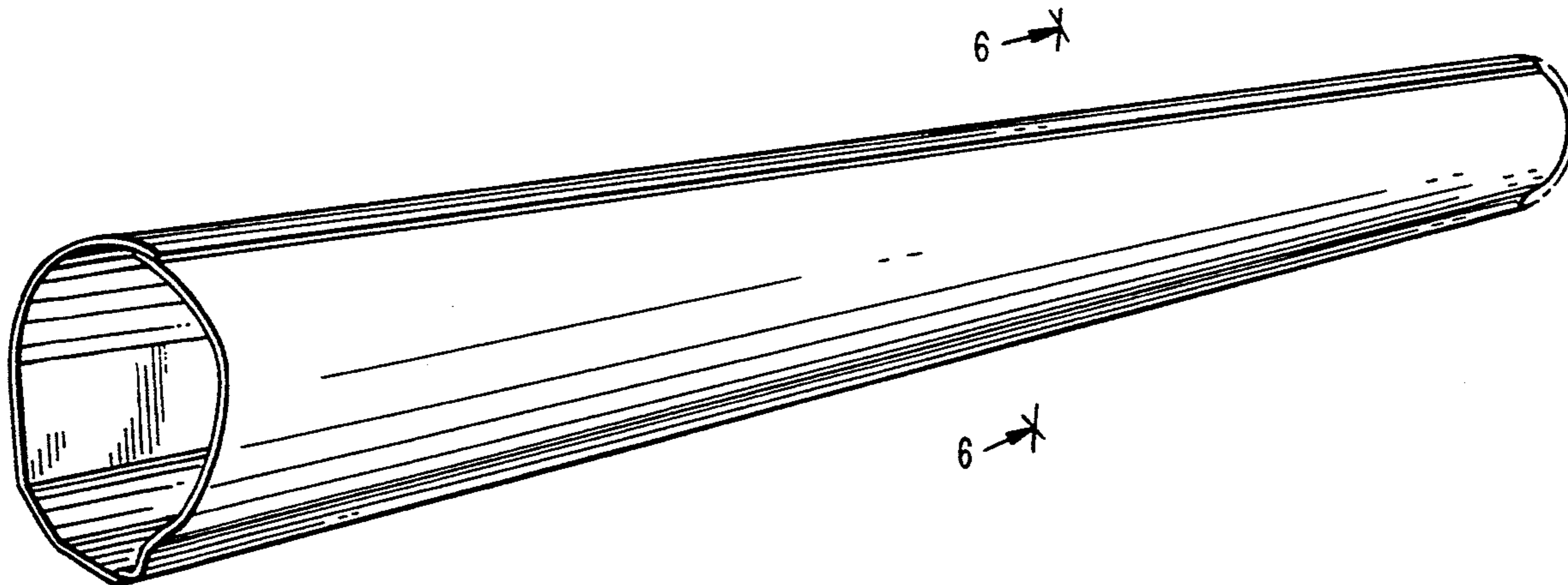
FIG. 3 is a right side elevational view thereof;

FIG. 4 is a left side elevational view thereof;

FIG. 5 is a bottom view thereof; and,

FIG. 6 is a cross-sectional view taken along line 6 of FIG. 1.

The broken lines disclosing flanges are for illustrative purposes only, and form no part of the claimed design.



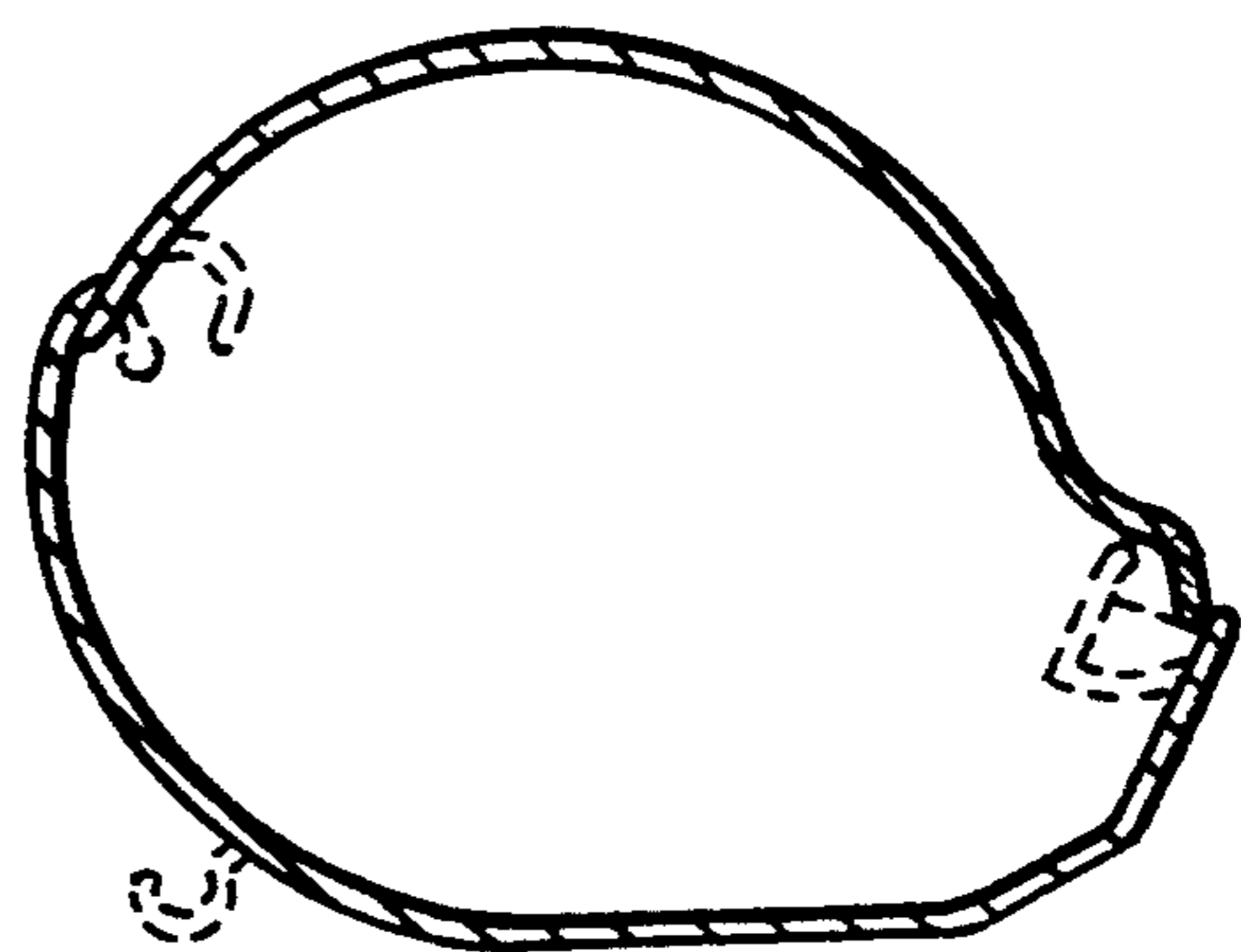
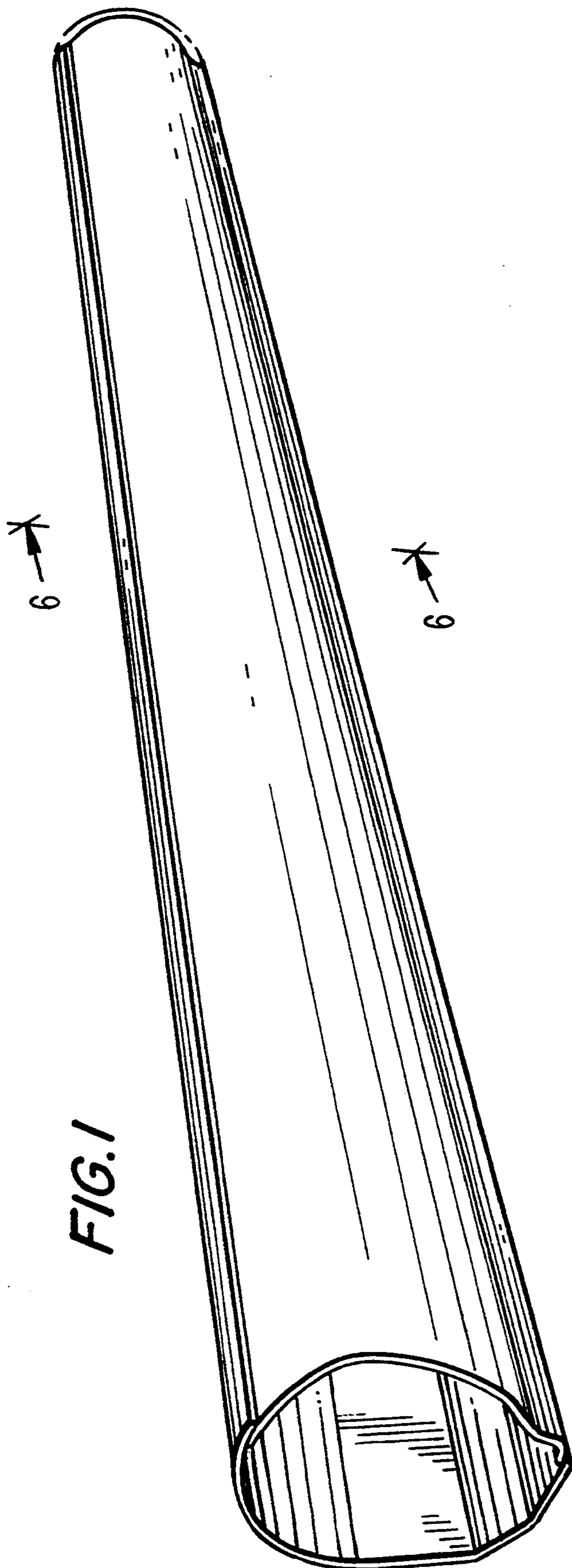




FIG. 2



FIG. 3



FIG. 4



FIG. 5