



US00D355352S

United States Patent [19] Whitley, II

[11] Patent Number: **Des. 355,352**
[45] Date of Patent: **** Feb. 14, 1995**

- [54] CLEAT FOR BOATS
- [75] Inventor: **Warwick M. Whitley, II**, Lynn Haven, Fla.
- [73] Assignee: **Attwood Corporation**, Lowell, Mich.
- [**] Term: **14 Years**
- [21] Appl. No.: **12,257**
- [22] Filed: **Aug. 26, 1993**
- [52] U.S. Cl. **D8/356**
- [58] Field of Search **D8/356; 114/218**

Assistant Examiner—H. Baynham
Attorney, Agent, or Firm—Price, Heneveld, Cooper, DeWitt & Litton

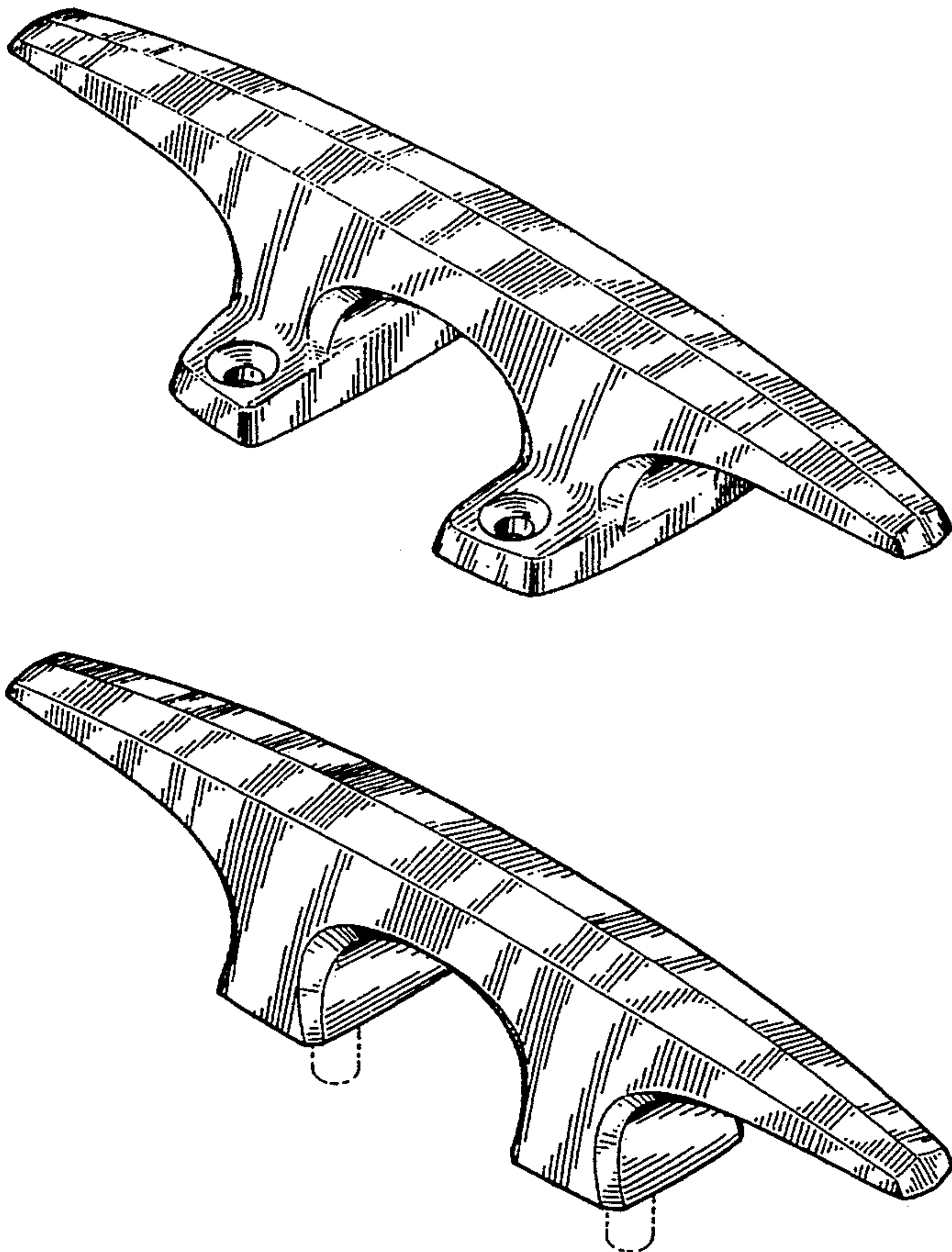
[57] **CLAIM**

The ornamental design for a cleat for boats, as shown and described.

DESCRIPTION

FIG. 1 is an elevational, perspective view of a cleat for boats showing my new design;
 FIG. 2 is an elevational view of one of the sides thereof, the other side being a mirror image;
 FIG. 3 is a top plan view thereof;
 FIG. 4 is a bottom plan view thereof;
 FIG. 5 is an elevational view of one end thereof, the other end being a mirror image;
 FIG. 6 is a perspective view of a modified cleat showing my new design thereof;
 FIG. 7 is an elevational view of one side of the design of FIG. 6, the other side being a mirror image;
 FIG. 8 is a top plan view of the design of FIG. 6;
 FIG. 9 is a bottom plan view of the design of FIG. 6; and,
 FIG. 10 is an elevational view of one end of the design of FIG. 6, the other end being a mirror image.
 The broken line showing of a structure is for illustrative purposes only and forms no part of the claimed design.

- [56] **References Cited**
- U.S. PATENT DOCUMENTS**
- | | | | | |
|------------|--------|-------------|-------|---------|
| D. 239,258 | 3/1976 | Faul | | D8/382 |
| D. 301,683 | 6/1989 | Whitley, II | | D8/356 |
| 4,270,478 | 6/1981 | Kafka | | 114/218 |
- OTHER PUBLICATIONS**
- Perko Catalog No. 240, (Copyright 1981), pp. 16 and 17.
 L. S. Brown Co. (1983), p. 27.
 Attwood Product Catalog (1991-1992), pp. 41, 53, and 54.
 Attwood Product Catalog (1985-1986), pp. 38 and 39.
 Attwood Product Catalog 1987-1988), pp. 52 and 53.
- Primary Examiner*—Wallace R. Burke



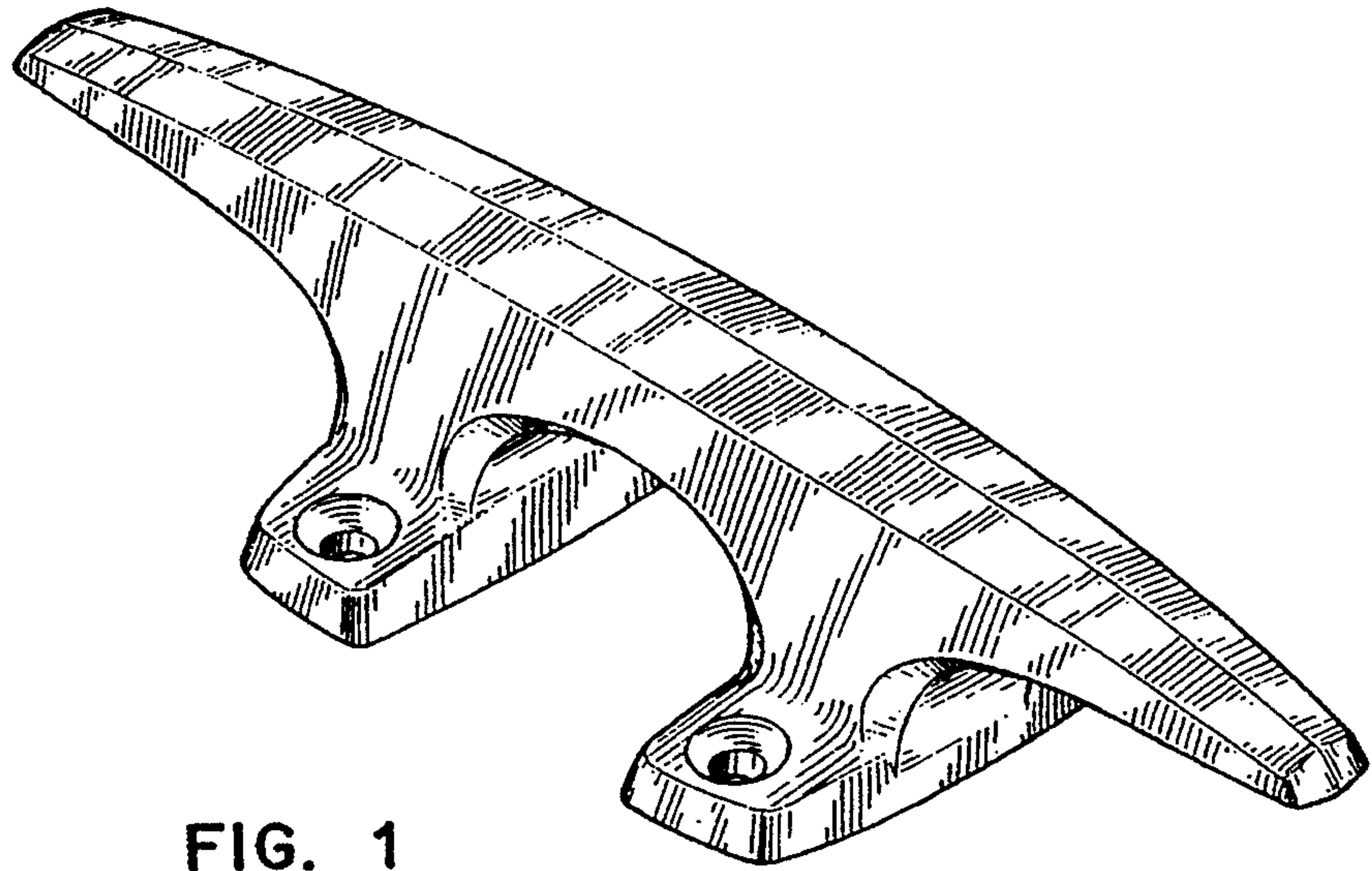


FIG. 1

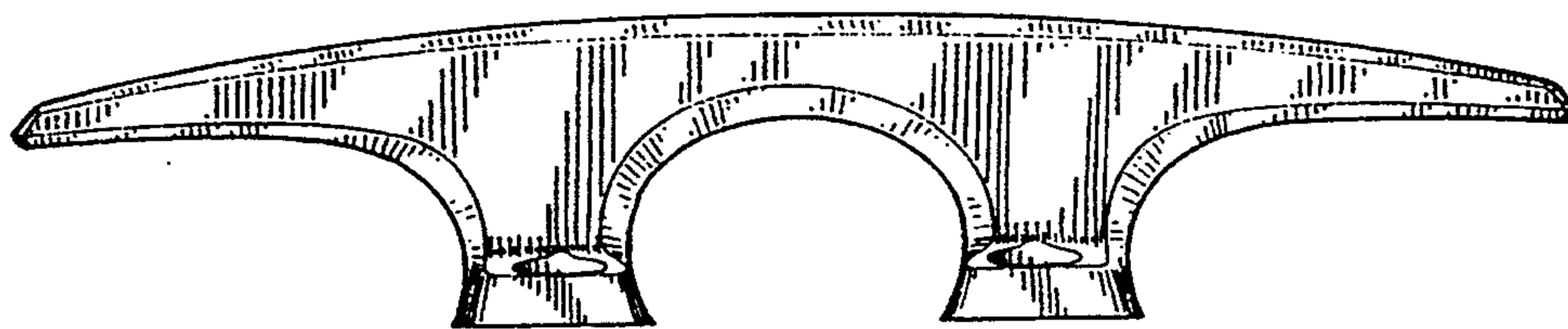


FIG. 2

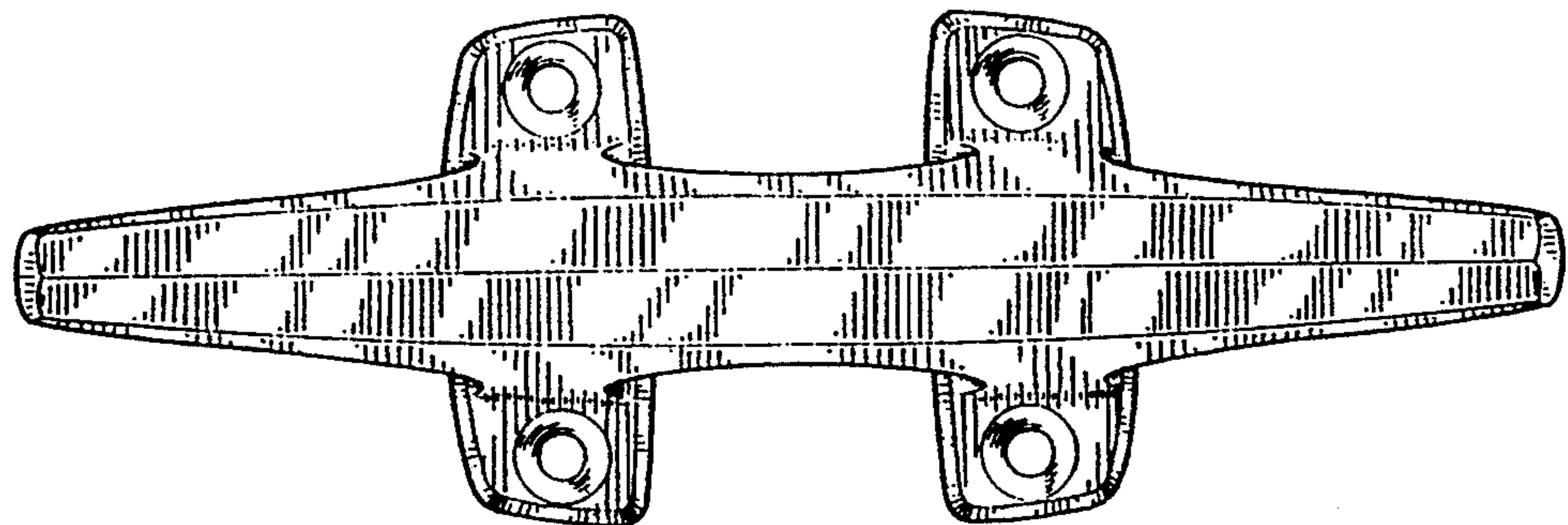


FIG. 3

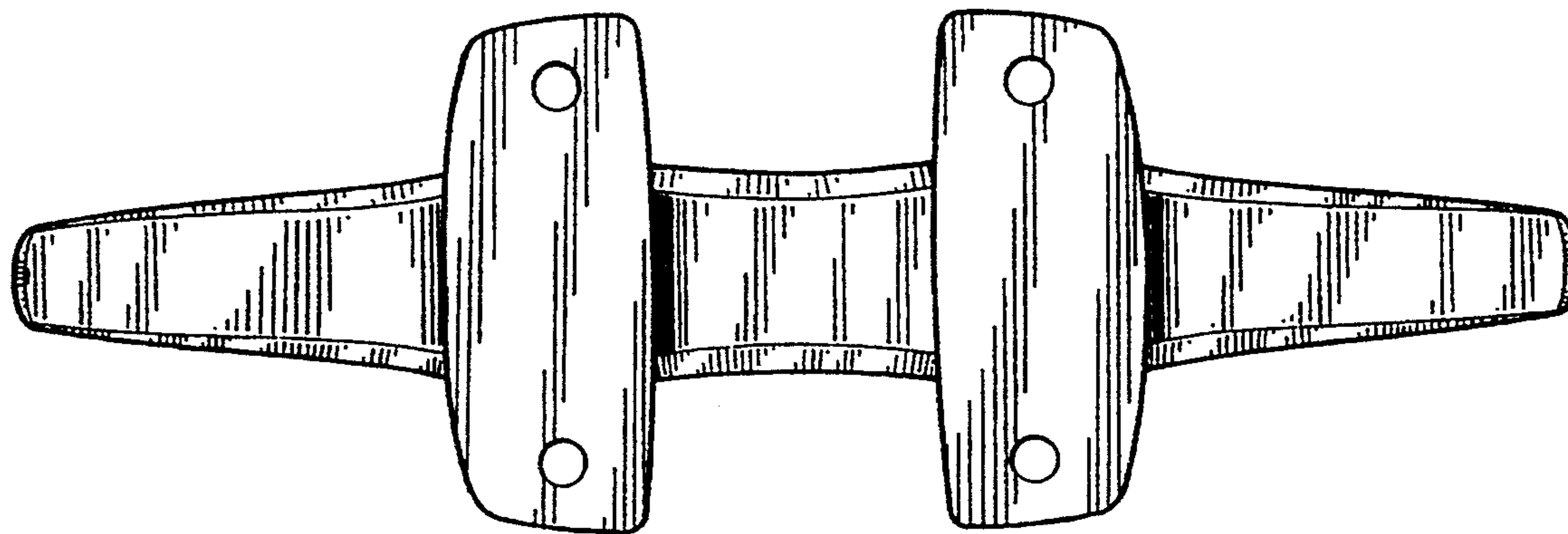


FIG. 4

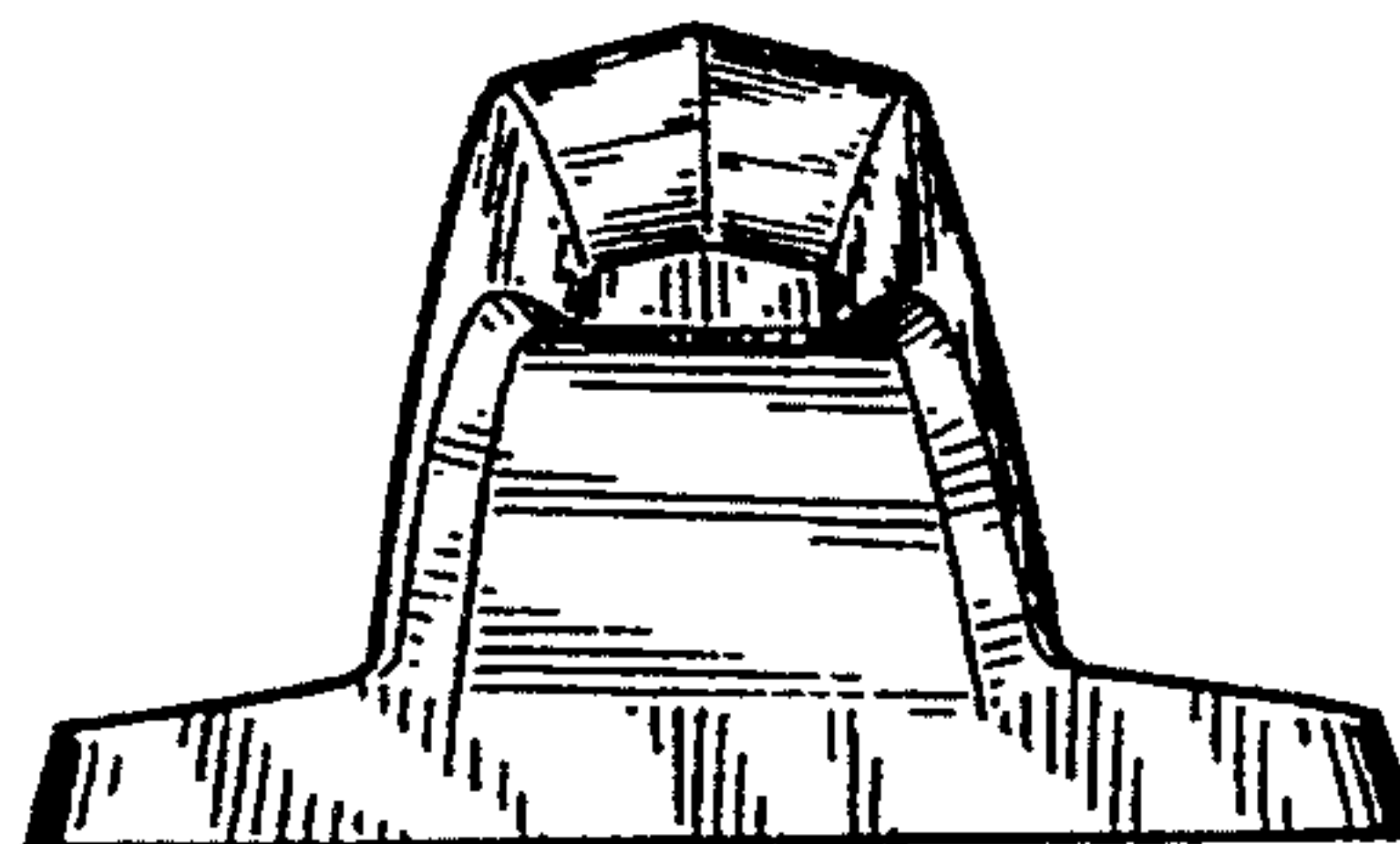


FIG. 5

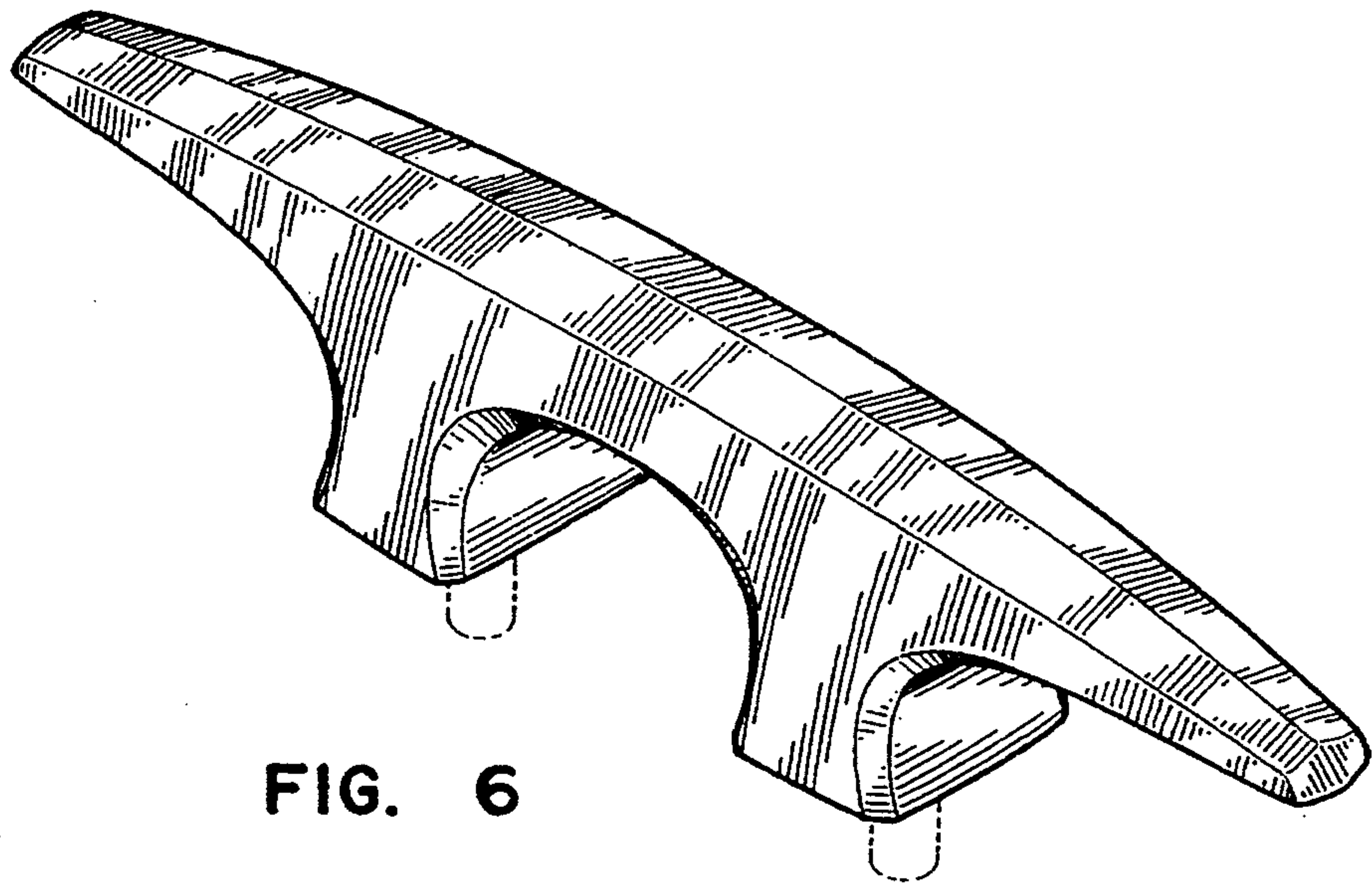


FIG. 6

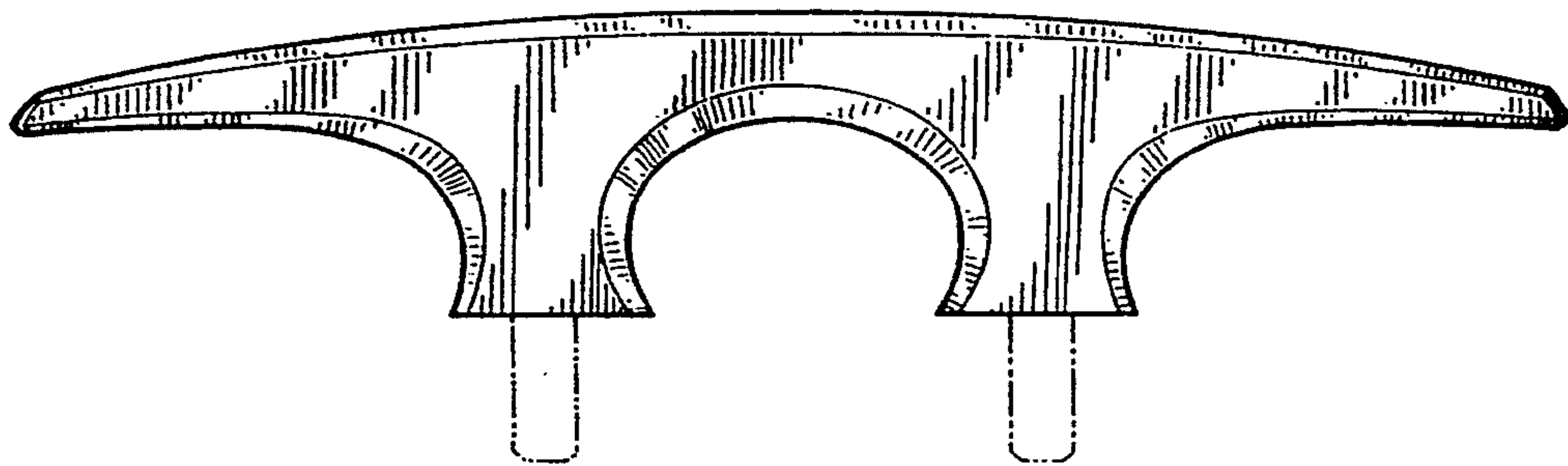


FIG. 7

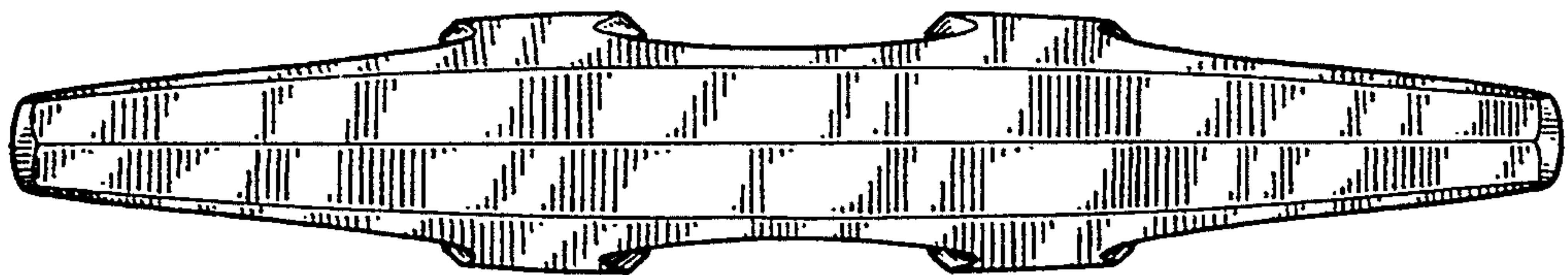


FIG. 8

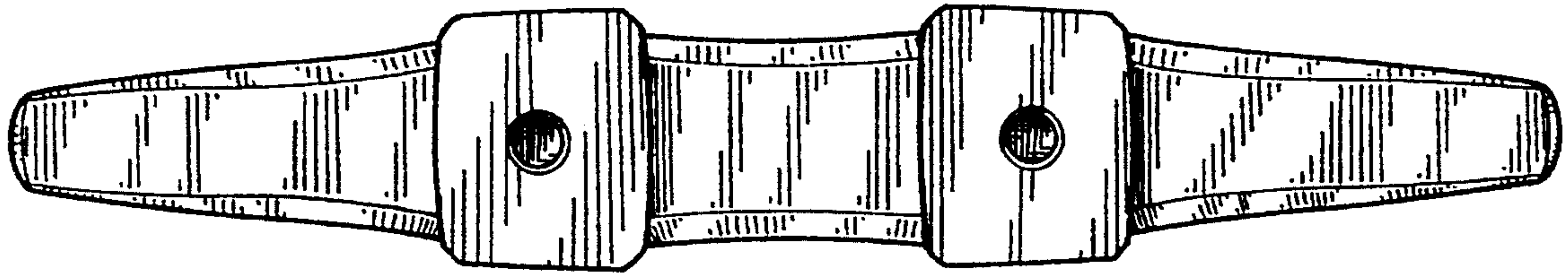


FIG. 9

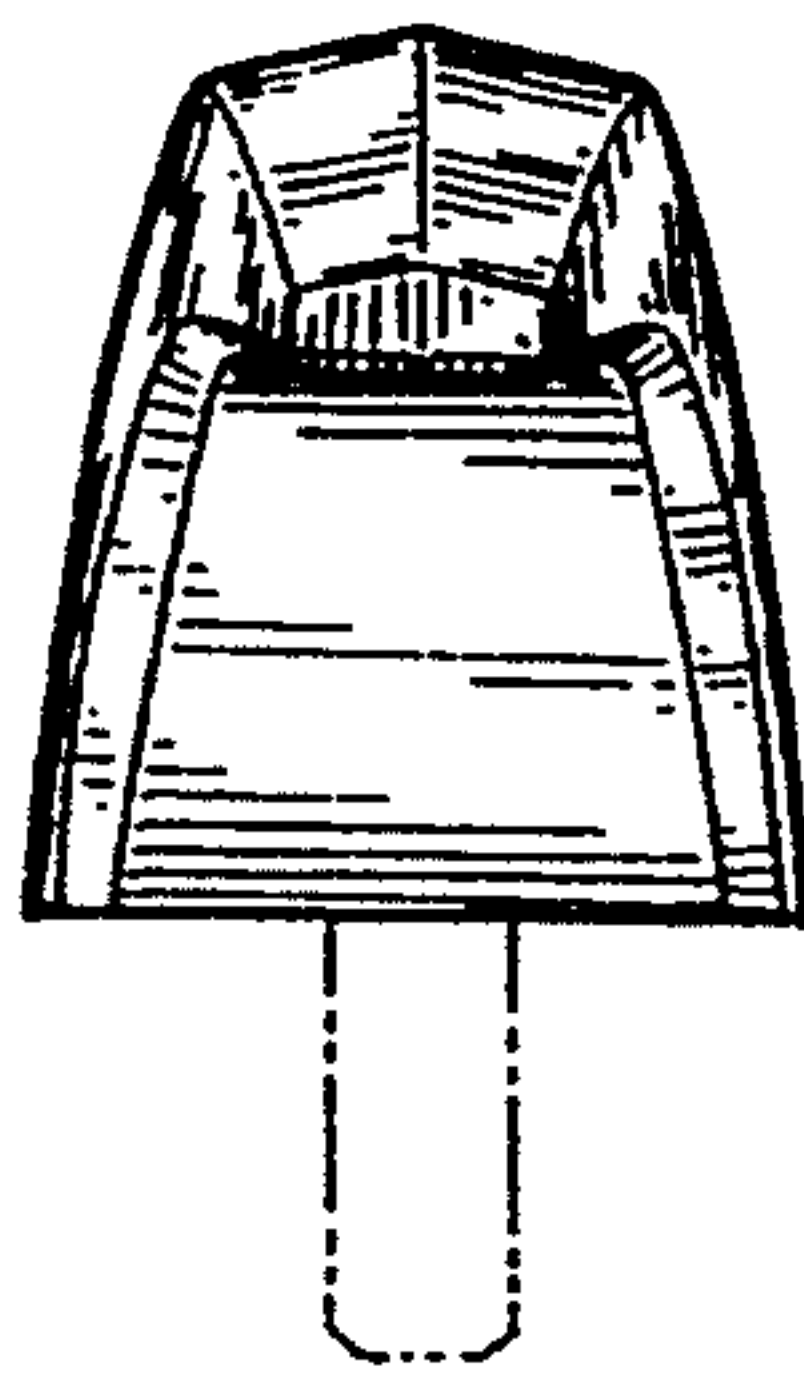


FIG. 10