



US00D355350S

United States Patent [19]

[11] Patent Number: **Des. 355,350**

Frakes

[45] Date of Patent: **** Feb. 14, 1995**

[54] **PORTABLE GAS NOZZLE TRIGGER ACCESSORY**

Primary Examiner—Wallace R. Burke
Assistant Examiner—H. Baynham
Attorney, Agent, or Firm—David L. Baker

[76] Inventor: **Eugene E. Frakes**, 3918 Sheffield Ave., Hammond, Ind. 46327

[57] **CLAIM**

[**] Term: **14 Years**

The ornamental design for a portable gas nozzle trigger accessory, as shown.

[21] Appl. No.: **8,638**

DESCRIPTION

[22] Filed: **May 24, 1993**

[52] U.S. Cl. **D8/354; D15/9.1**

[58] Field of Search **D8/349, 354; 141/392; D15/9.1**

FIG. 1 is a perspective view of a portable gas nozzle trigger accessory showing my new design therefor; the broken line drawing depicting a partial view of a gas pump hose and nozzle is for purposes of illustration only and forms no part of my design;

[56] **References Cited**

U.S. PATENT DOCUMENTS

- D. 258,114 2/1981 Maynor, Jr. D15/9.1 X
- D. 297,612 9/1988 Friezner D8/354
- D. 331,240 11/1992 Winn D15/9.1 X

FIG. 2 is a top plan view;

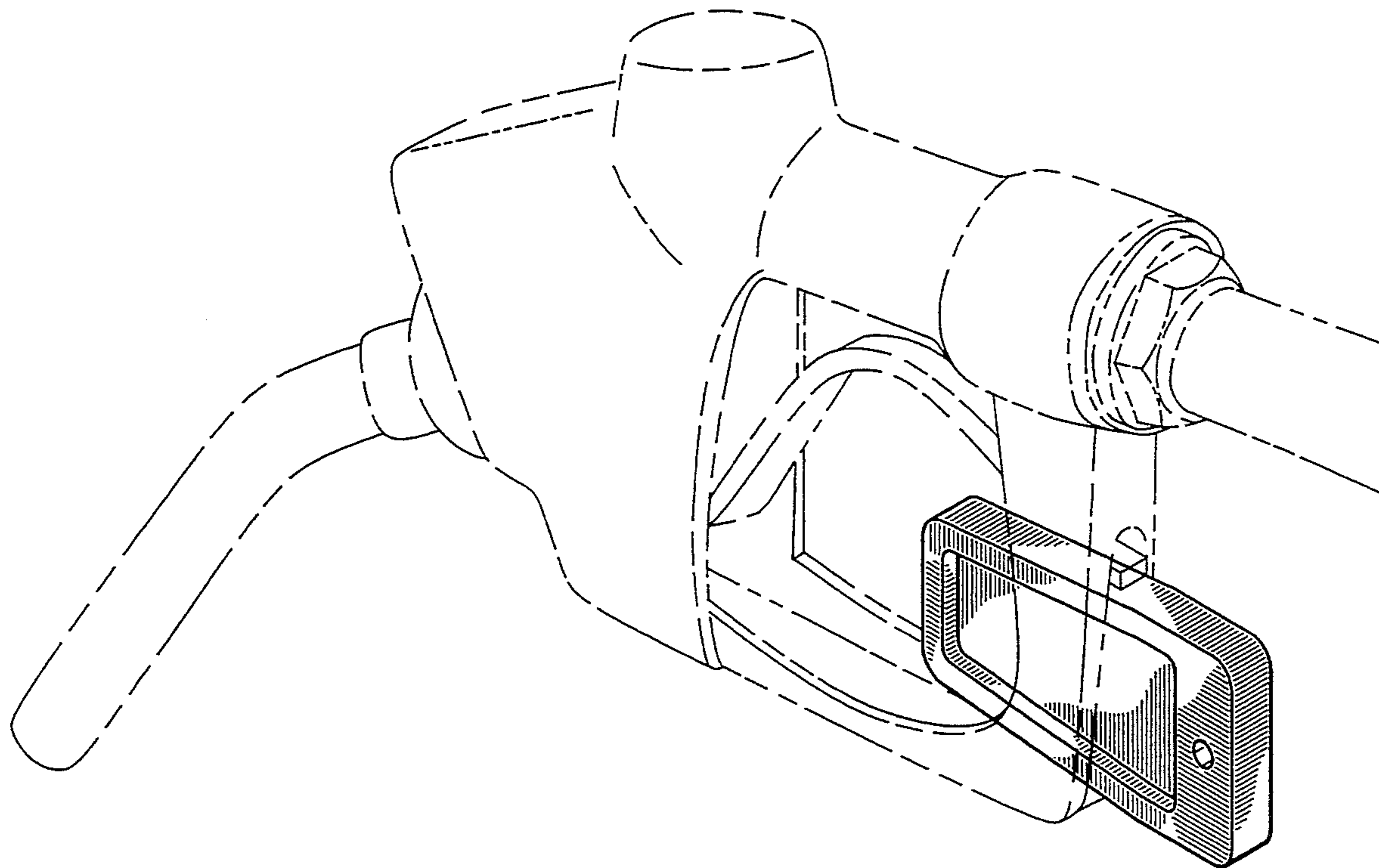
FIG. 3 is a left side elevational view;

FIG. 4 is a front elevational view;

FIG. 5 is a right side elevational view;

FIG. 6 is a rear elevational view; and,

FIG. 7 is a bottom plan view.



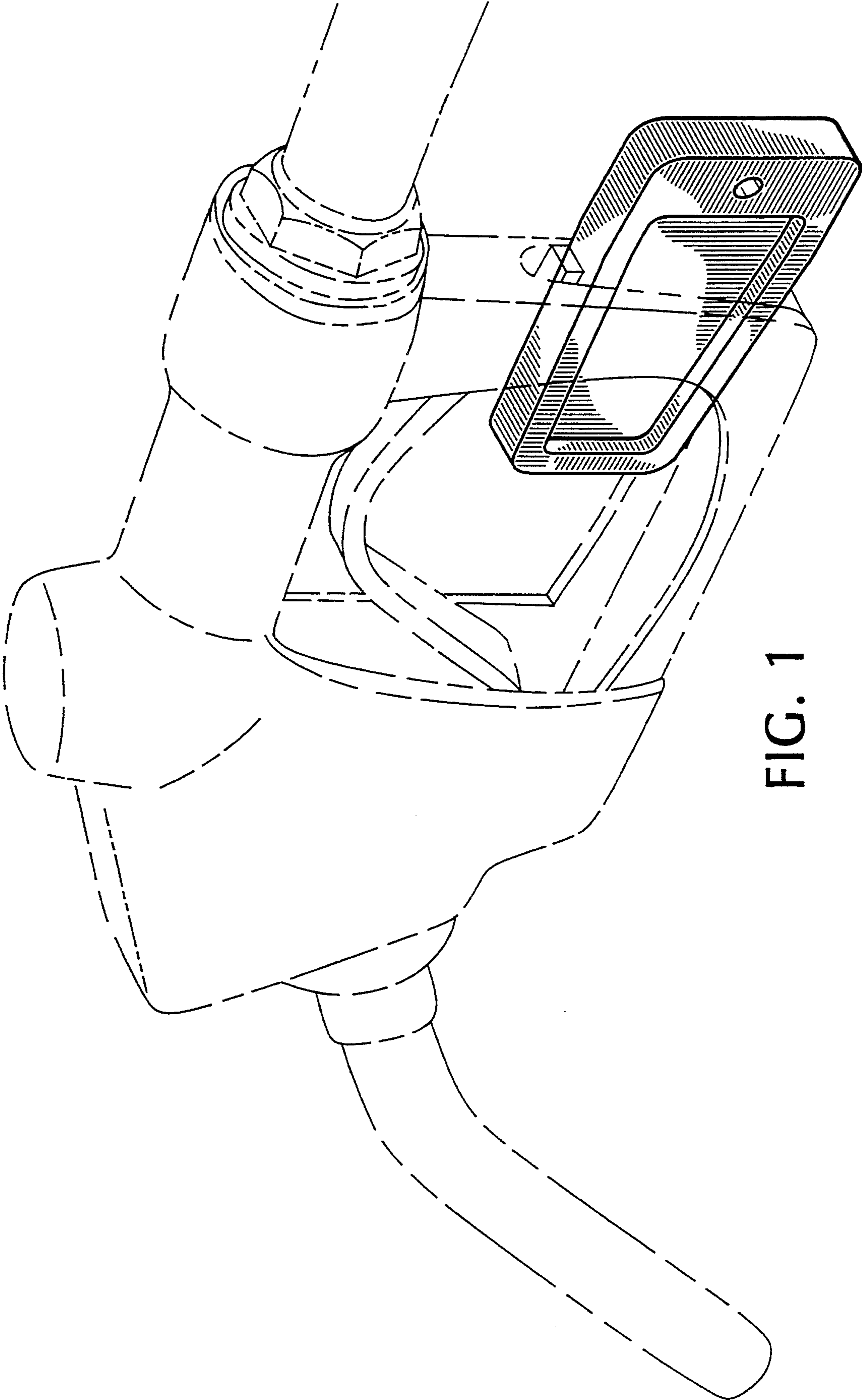


FIG. 1



FIG. 3



FIG. 2

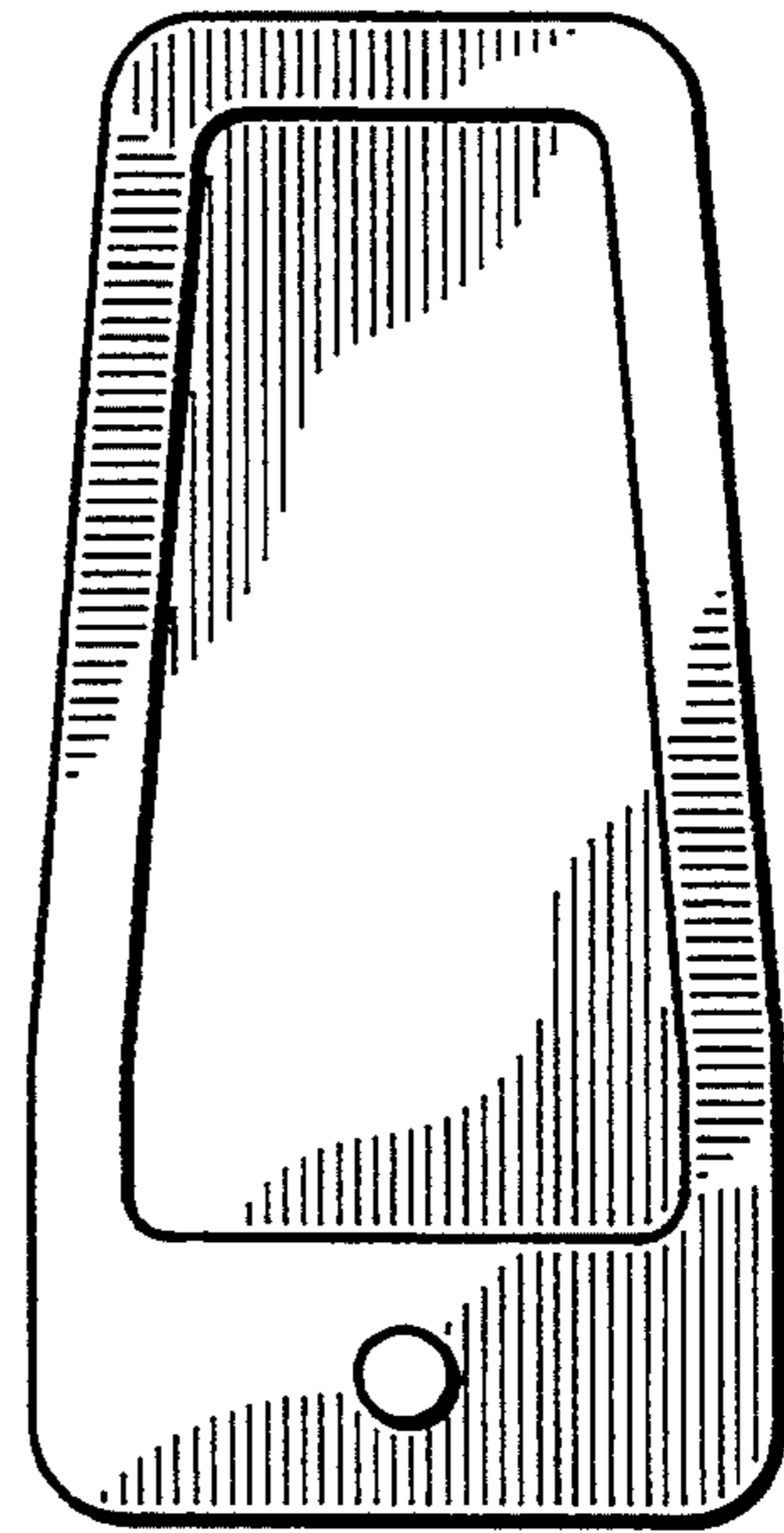


FIG. 4



FIG. 5

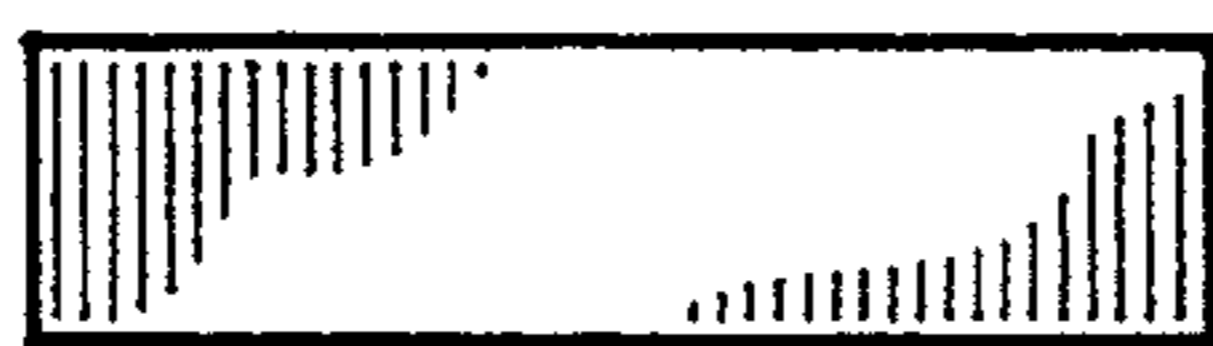


FIG. 7

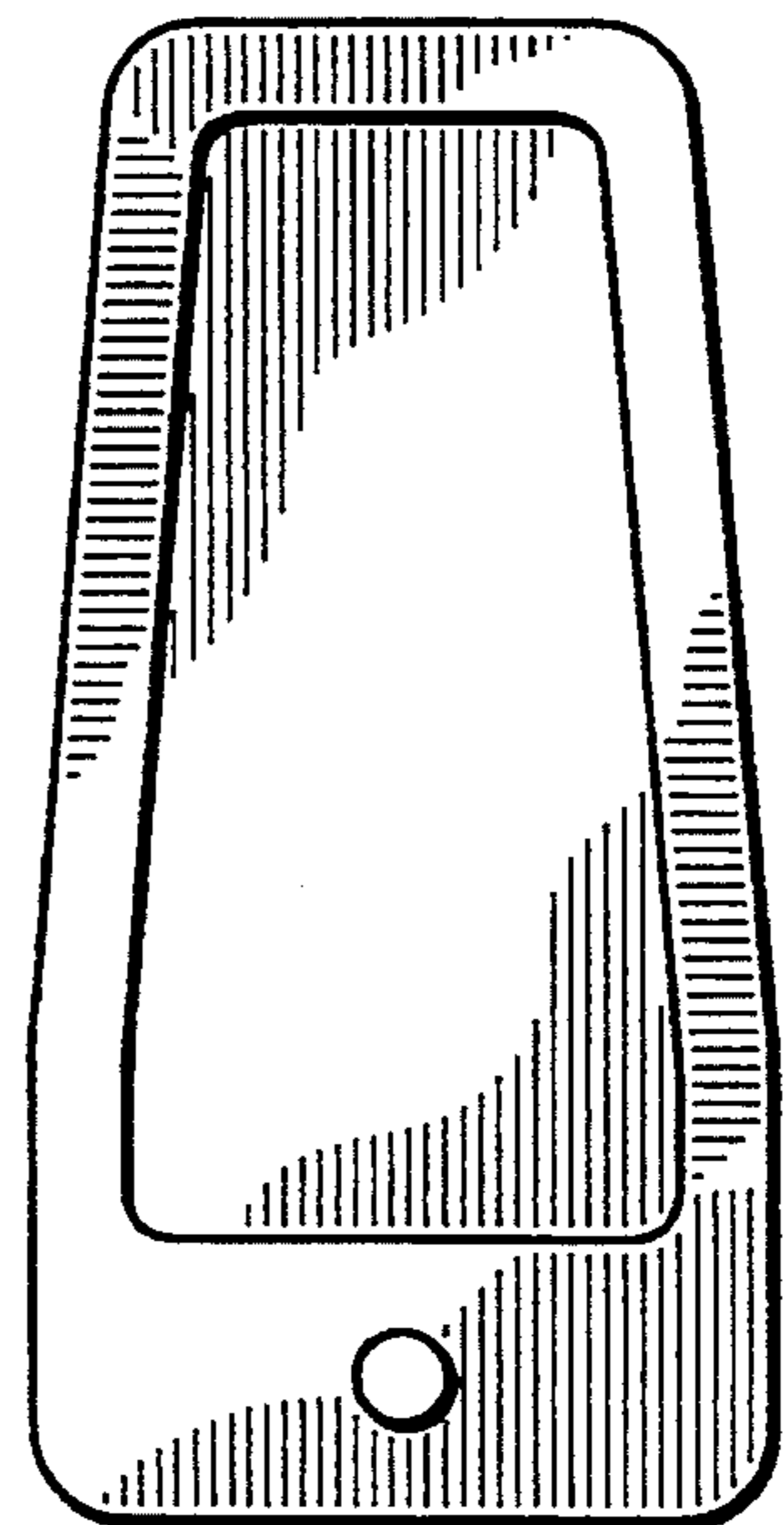


FIG. 6