



US00D355349S

United States Patent [19]

Taparauskas, Jr.

[11] Patent Number: **Des. 355,349**

[45] Date of Patent: **** Feb. 14, 1995**

[54] **BRACKET FOR TUBULAR MEMBERS**

[76] Inventor: **William J. Taparauskas, Jr.**, 1710 Mabry Mill, Houston, Tex. 77062

[**] Term: **14 Years**

[21] Appl. No.: **7,422**

[22] Filed: **Apr. 22, 1993**

[52] U.S. Cl. **D8/349**

[58] Field of Search **D8/354; 248/68.1, 230, 248/218.4, 219.1; 52/712-715**

[56] **References Cited**

U.S. PATENT DOCUMENTS

2,523,920	9/1950	Piatt	52/713 X
2,537,719	1/1951	Tuepker	248/218.4 X
2,704,868	3/1955	Danielson	52/715 X
3,004,370	10/1961	Tinnerman	52/714 X
3,210,898	10/1965	Kurtz	52/714 X
3,420,019	1/1969	Padilla	52/714 X
3,501,119	3/1970	Rich, Jr.	248/230 X

3,537,221	11/1970	Helfman et al.	52/714 X
5,170,977	12/1992	McMillan	52/712 X

Primary Examiner—Wallace R. Burke
Assistant Examiner—H. Baynham
Attorney, Agent, or Firm—Kenneth A. Roddy

[57] **CLAIM**

The ornamental design for a bracket for tubular members, as shown and described.

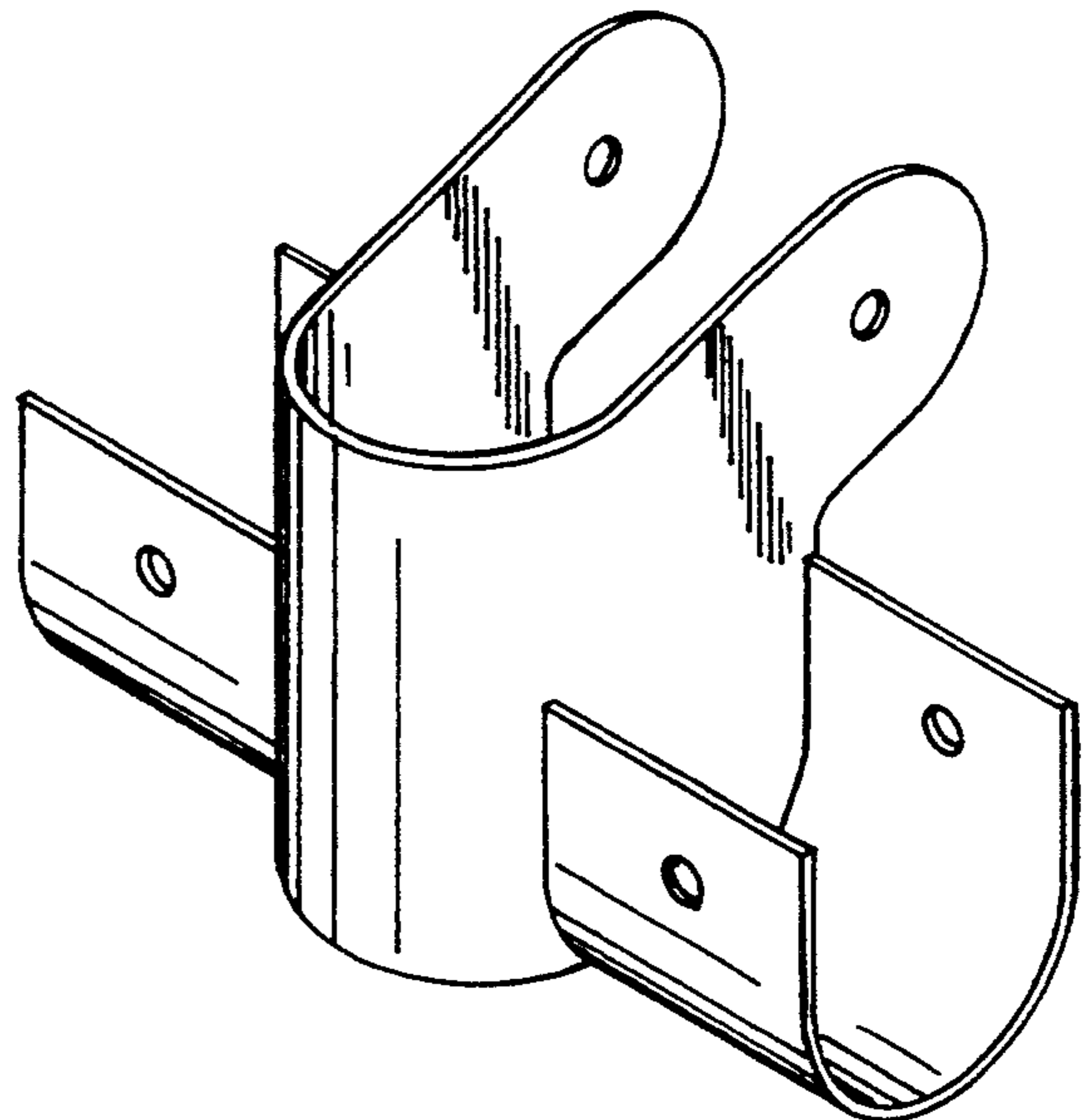
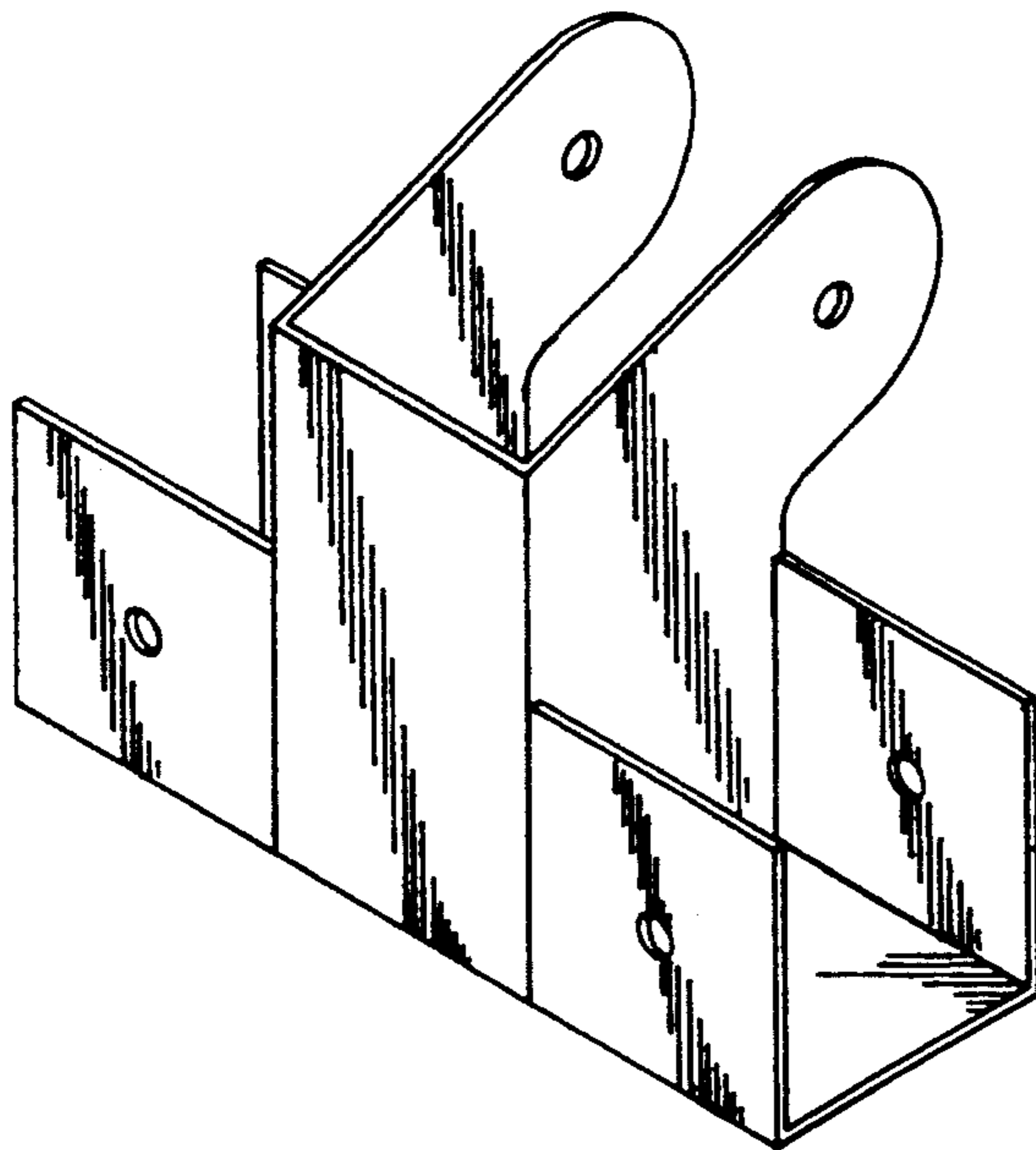
DESCRIPTION

FIG. 1 is a perspective view of a bracket for tubular members showing my new design as seen from the top and one side;

FIG. 2 is a perspective view thereof as seen from the bottom and the opposite side;

FIG. 3 is a perspective view of a second embodiment of the bracket for tubular members showing my new design as seen from the top and one side; and,

FIG. 4 is a perspective view of the embodiment of FIG. 3 as seen from the bottom and the opposite side.



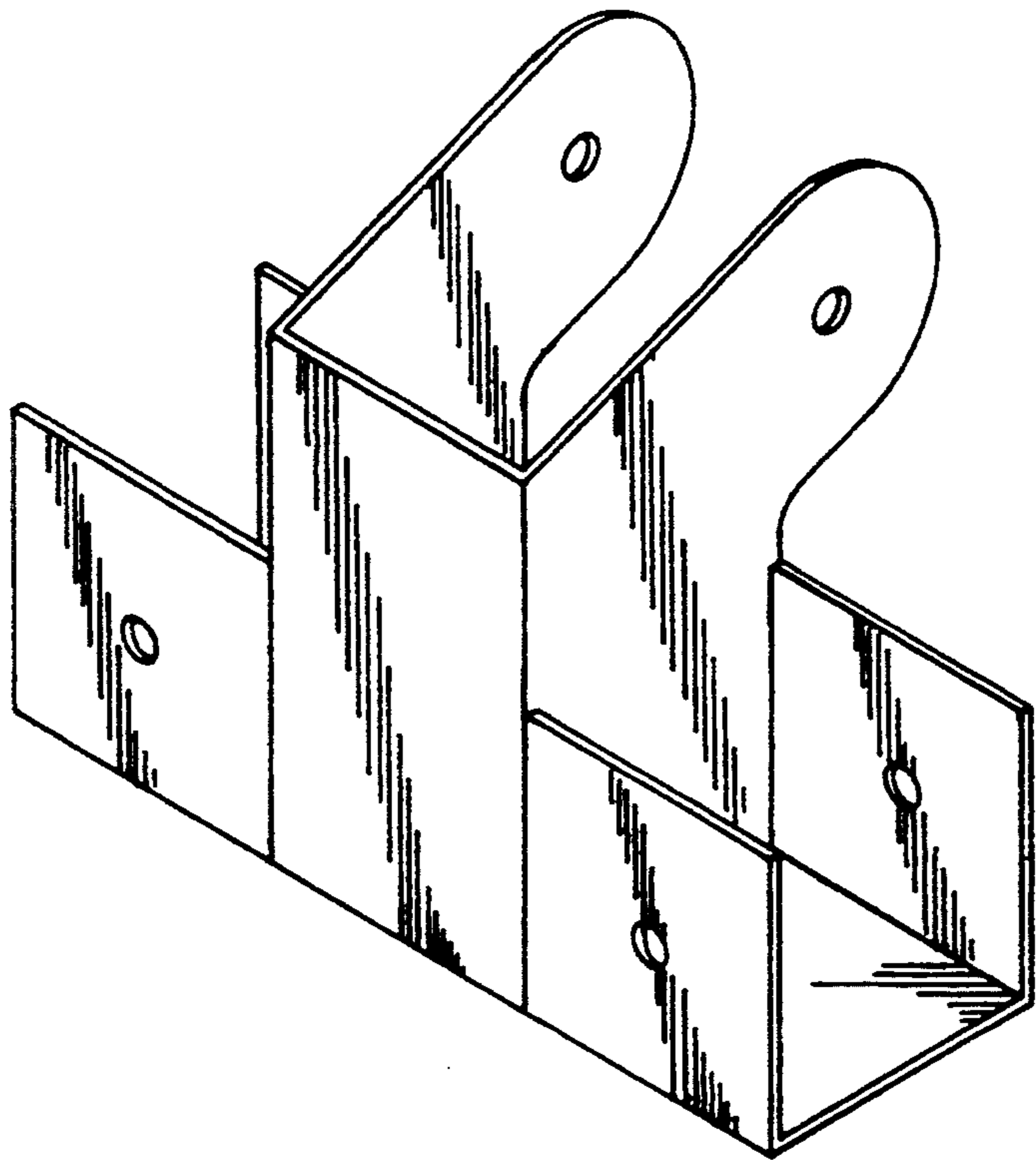


fig.1

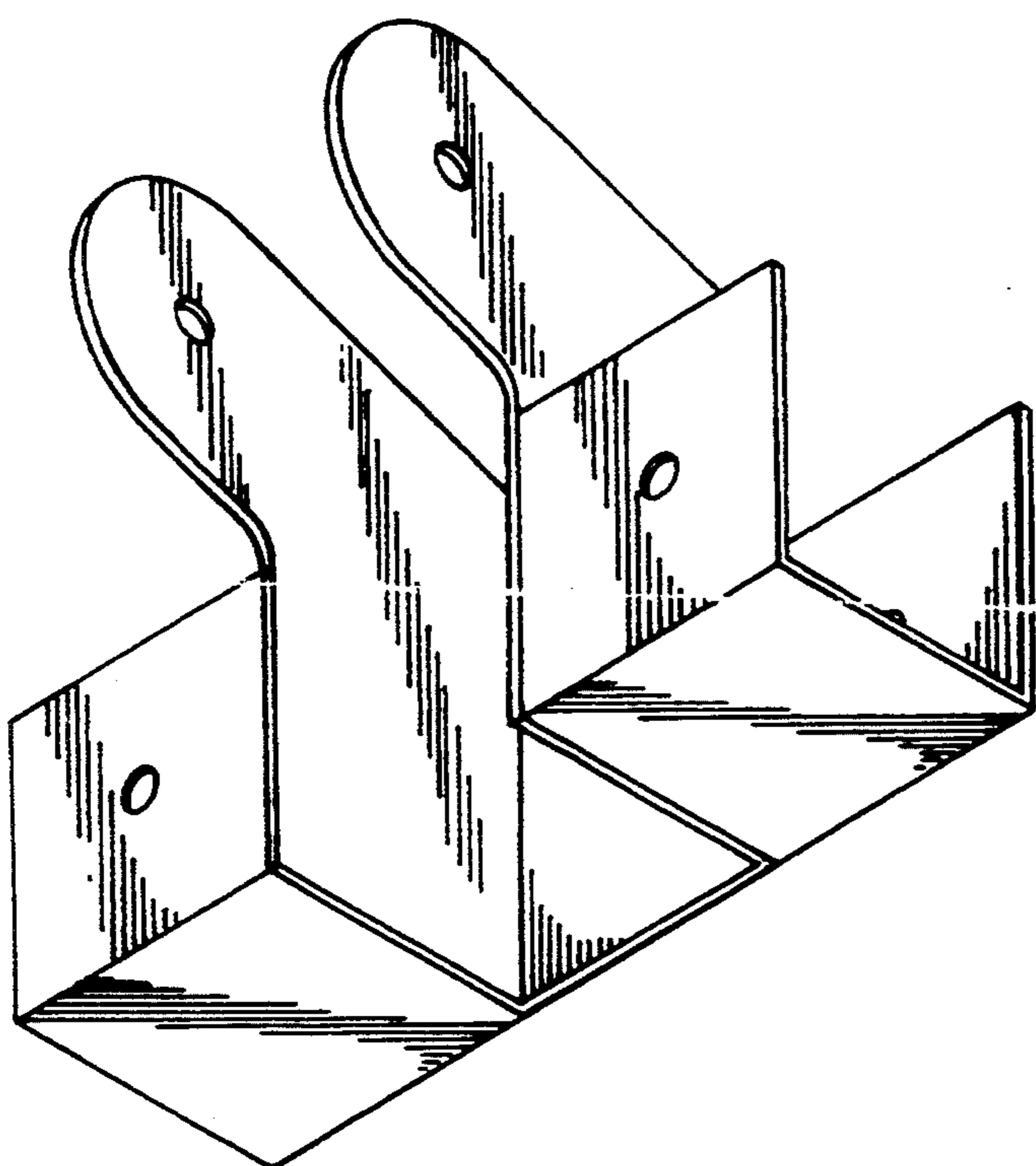


fig.2

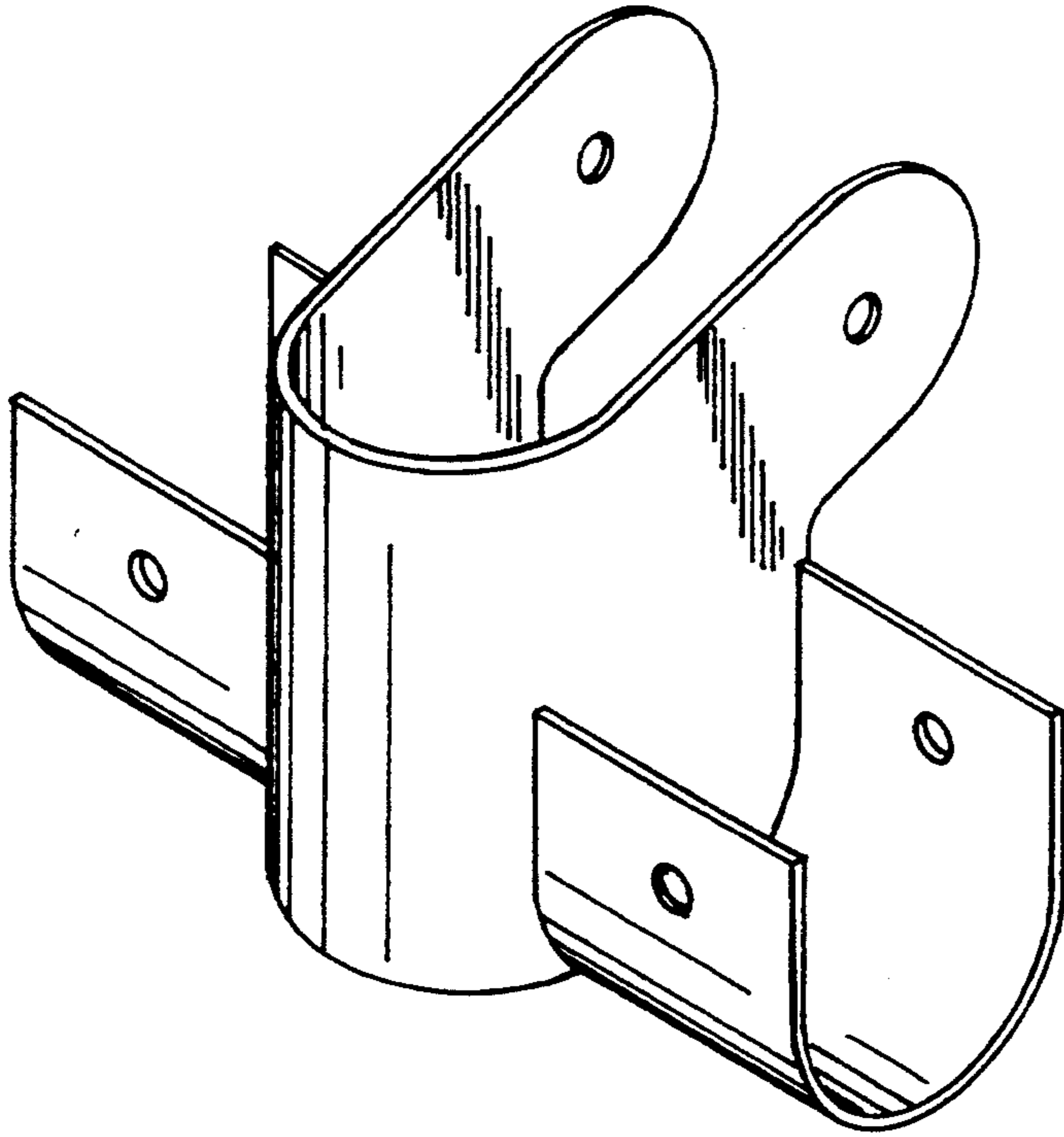


fig. 3

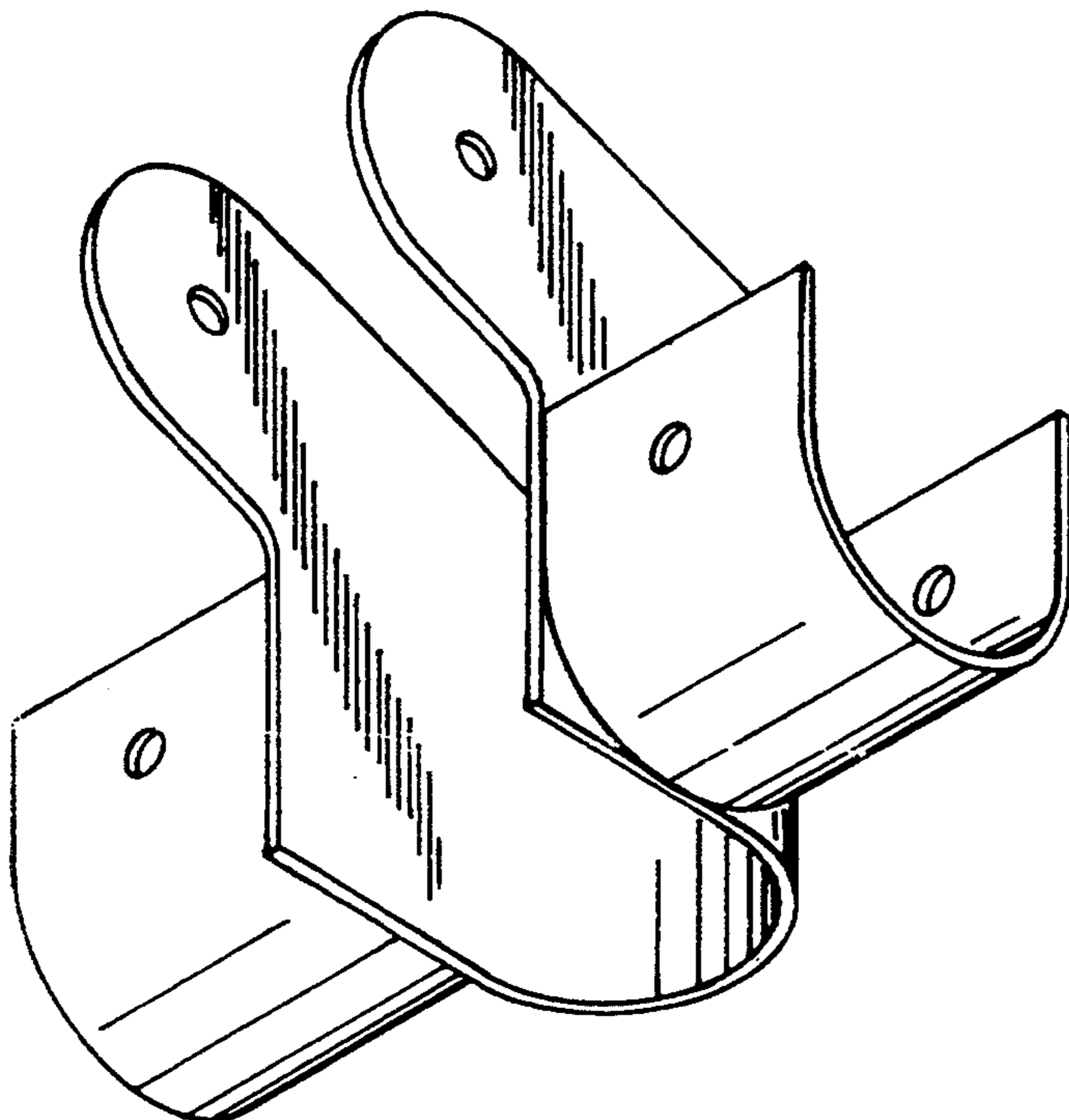


fig. 4