



US00D355348S

United States Patent [19] Jans

[11] **Patent Number: Des. 355,348**
[45] **Date of Patent: ** Feb. 14, 1995**

[54] **DOOR HANDLE**

[75] **Inventor: Franz W. Jans, Roedermark, Germany**
[73] **Assignee: JADO Hardware and Bathroom Manufacturing Co., Camarillo, Calif.**
[**] **Term: 14 Years**
[21] **Appl. No.: 21,574**
[22] **Filed: Apr. 19, 1994**

[56]

References Cited

U.S. PATENT DOCUMENTS

D. 261,726 11/1981 Valli D8/301
D. 312,565 12/1990 Abraham et al. D8/301
D. 345,684 4/1994 Shaanan D8/301
4,873,853 10/1989 Fosher 70/452

Primary Examiner—B. J. Bullock
Attorney, Agent, or Firm—H. Michael Brucker

[57]

CLAIM

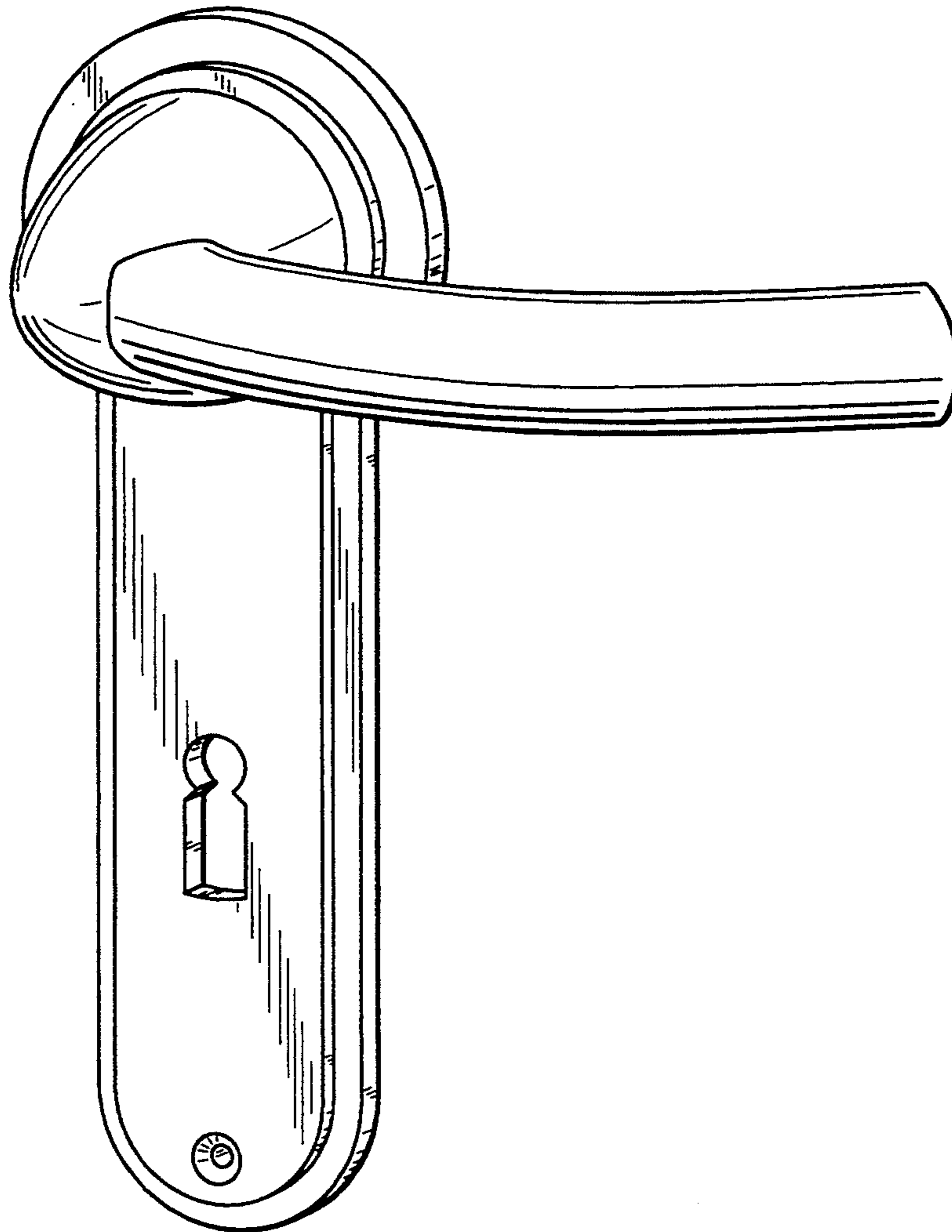
The ornamental design for a door handle, as shown and described.

DESCRIPTION

FIG. 1 is a perspective view of a door handle showing my new design;
FIG. 2 is a front view;
FIG. 3 is a rear view;
FIG. 4 is a left side view;
FIG. 5 is a right side view;
FIG. 6 is a top view; and,
FIG. 7 is a bottom view.

Related U.S. Application Data

[62] Division of Ser. No. 8,677, May 19, 1993, Pat. No. Des. 349,228.
[52] U.S. Cl. **D8/301; D8/308; D8/350**
[58] Field of Search **D8/300, 301, 308, 350, D8/352; 16/110 R; 74/523; 292/347, 357; 70/452, 453**



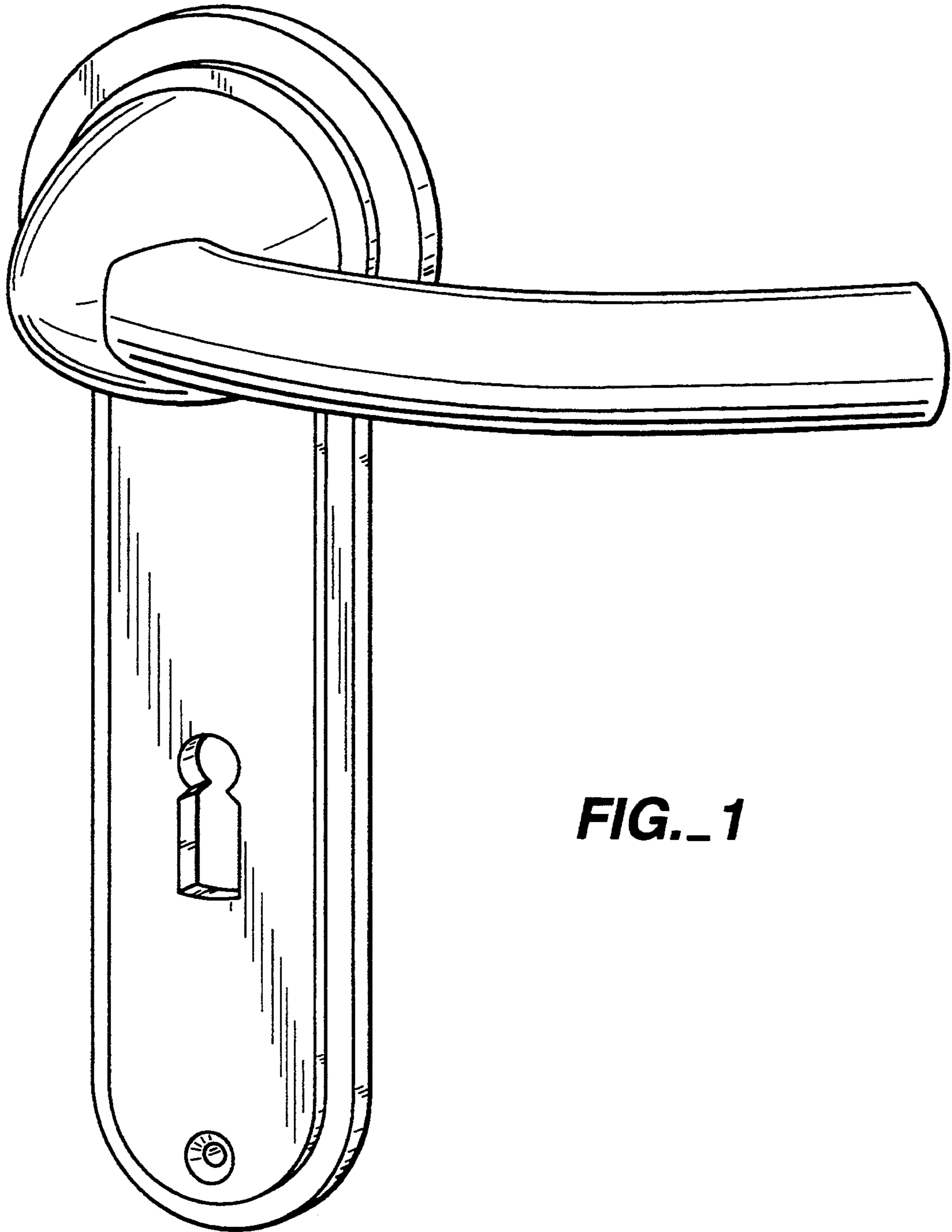


FIG. 1

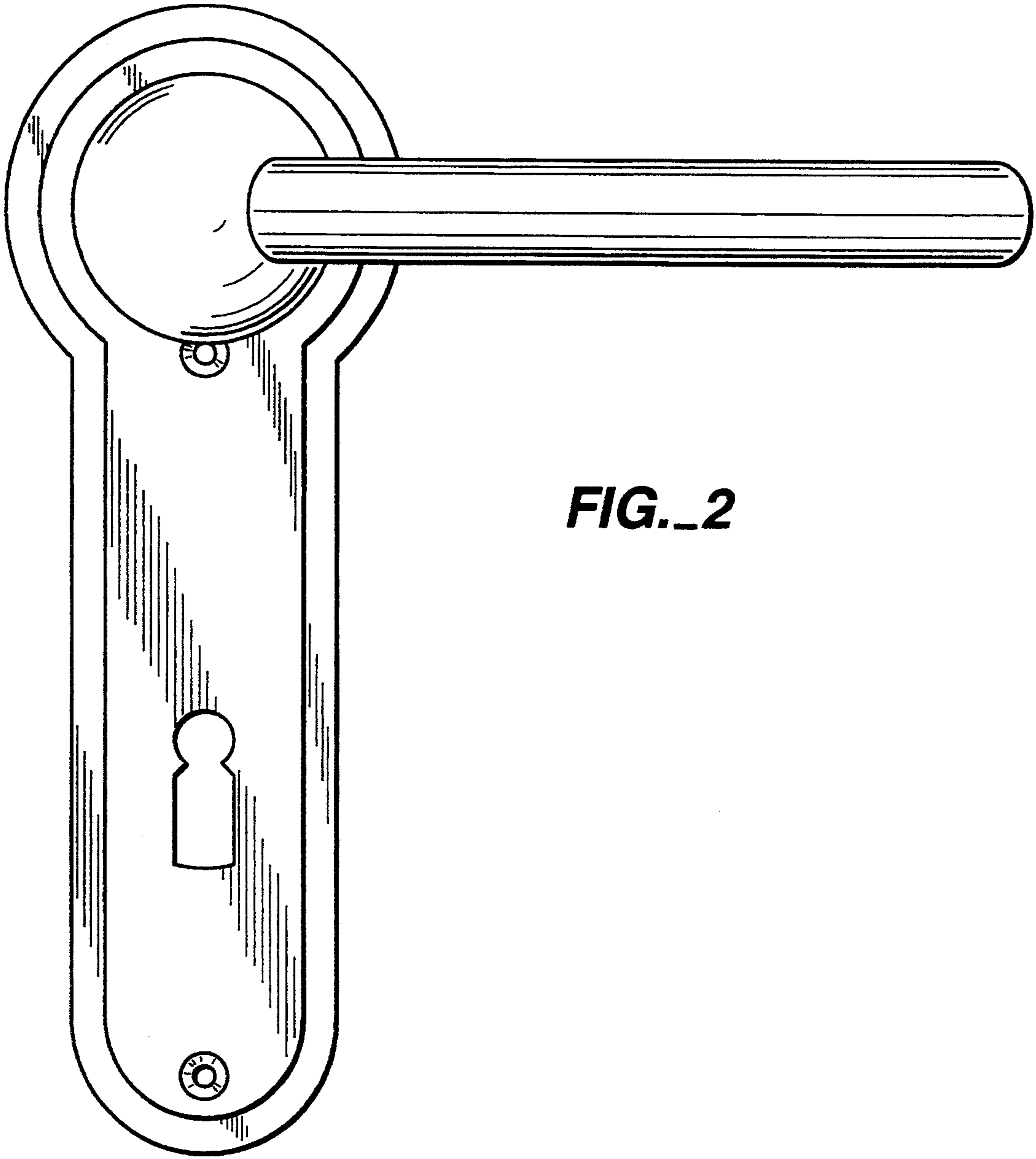


FIG._2

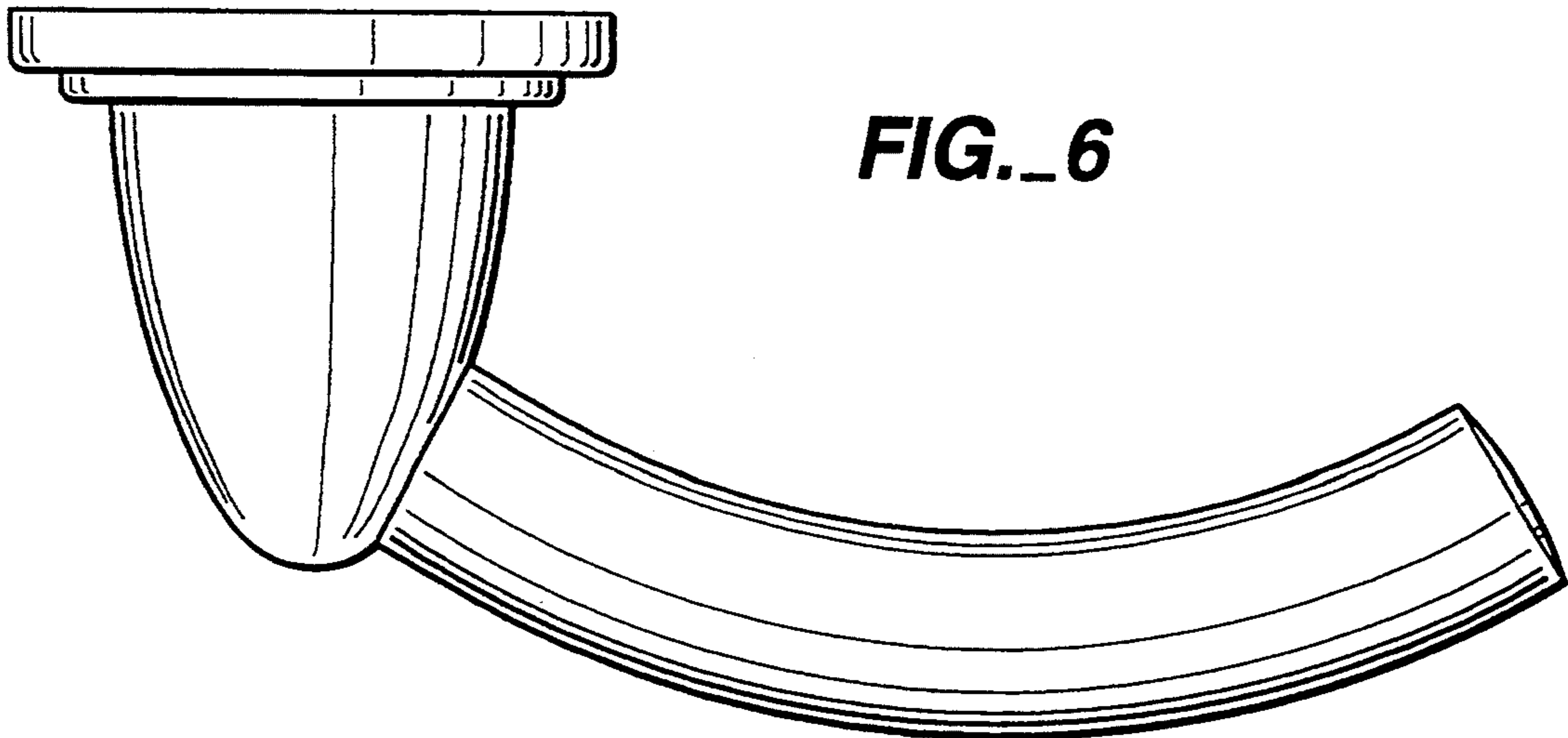


FIG._6

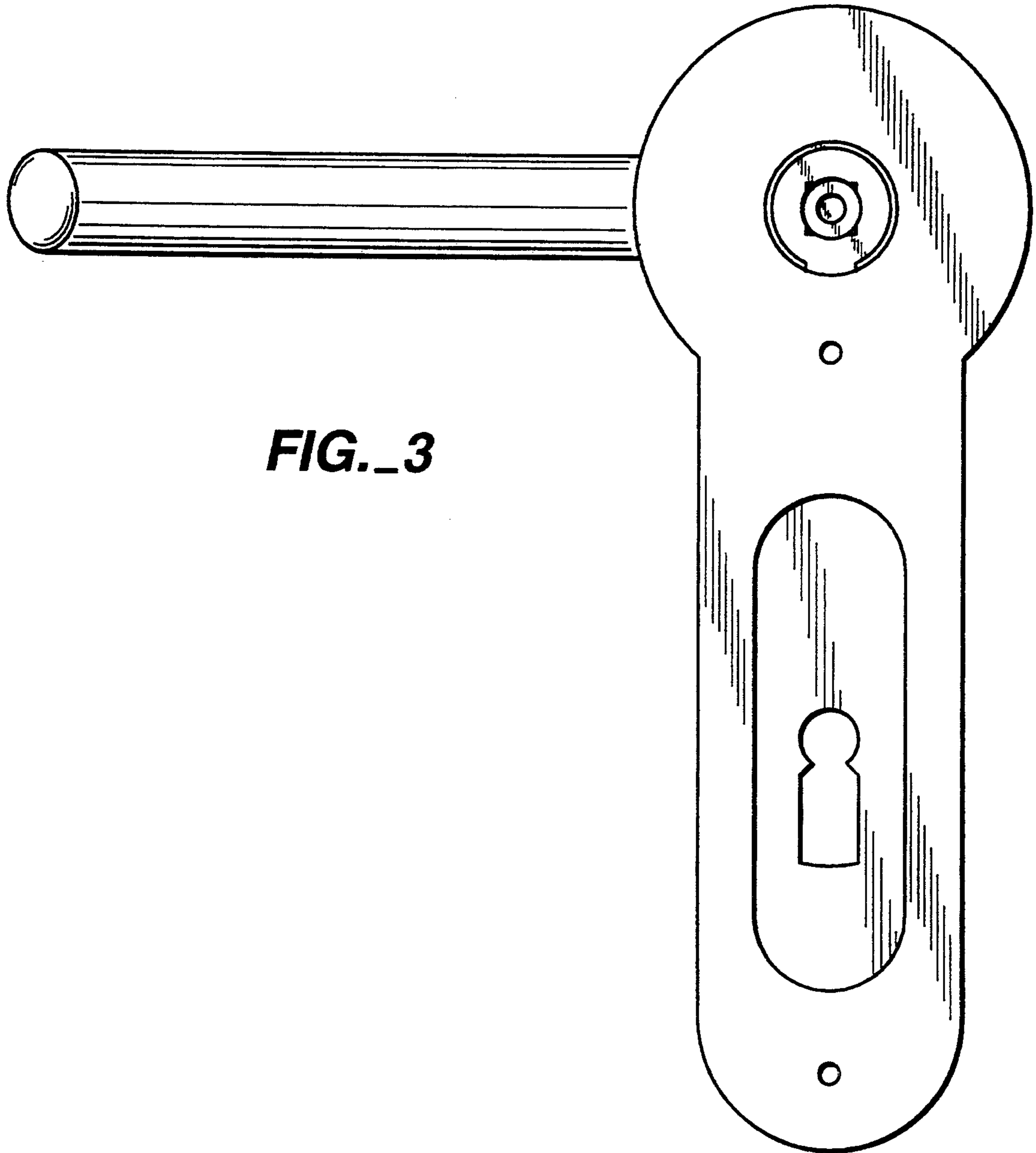


FIG._3

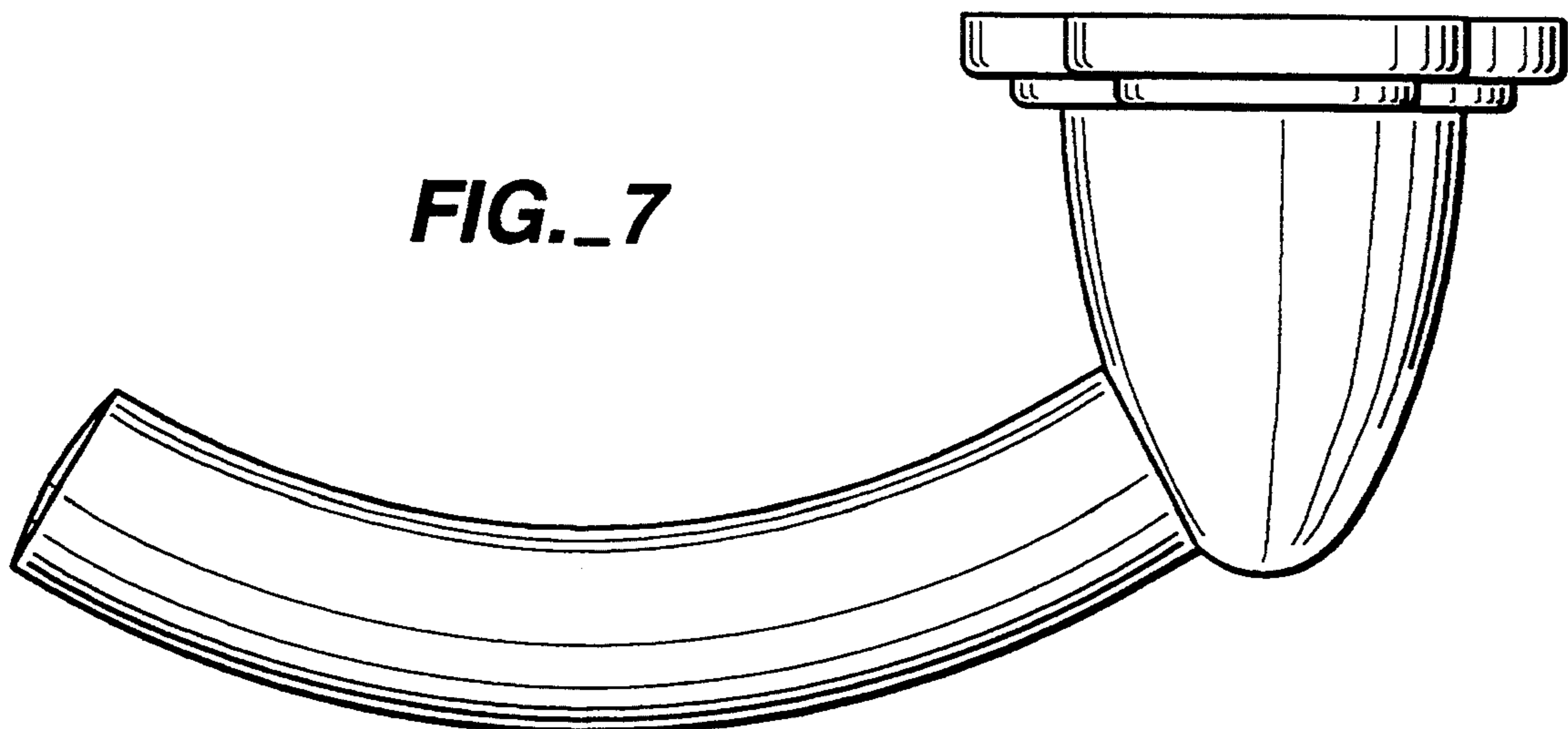


FIG._7

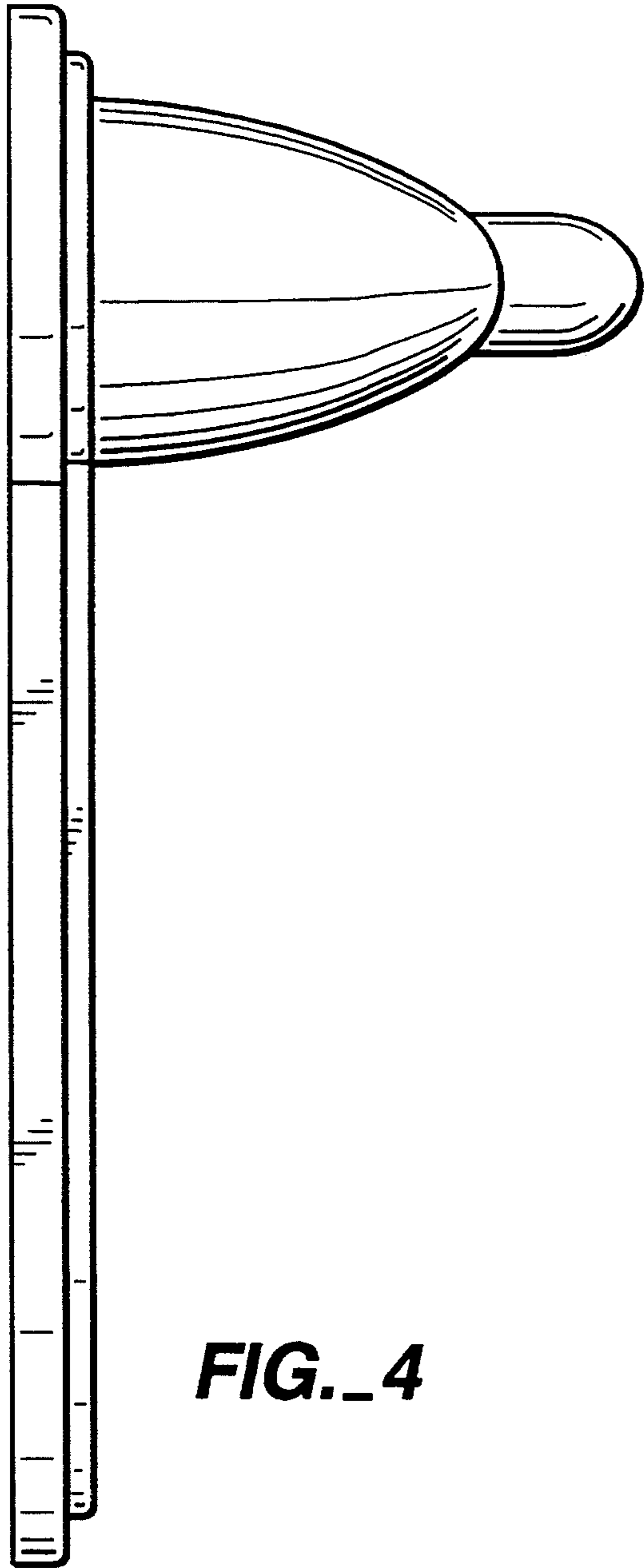


FIG._4

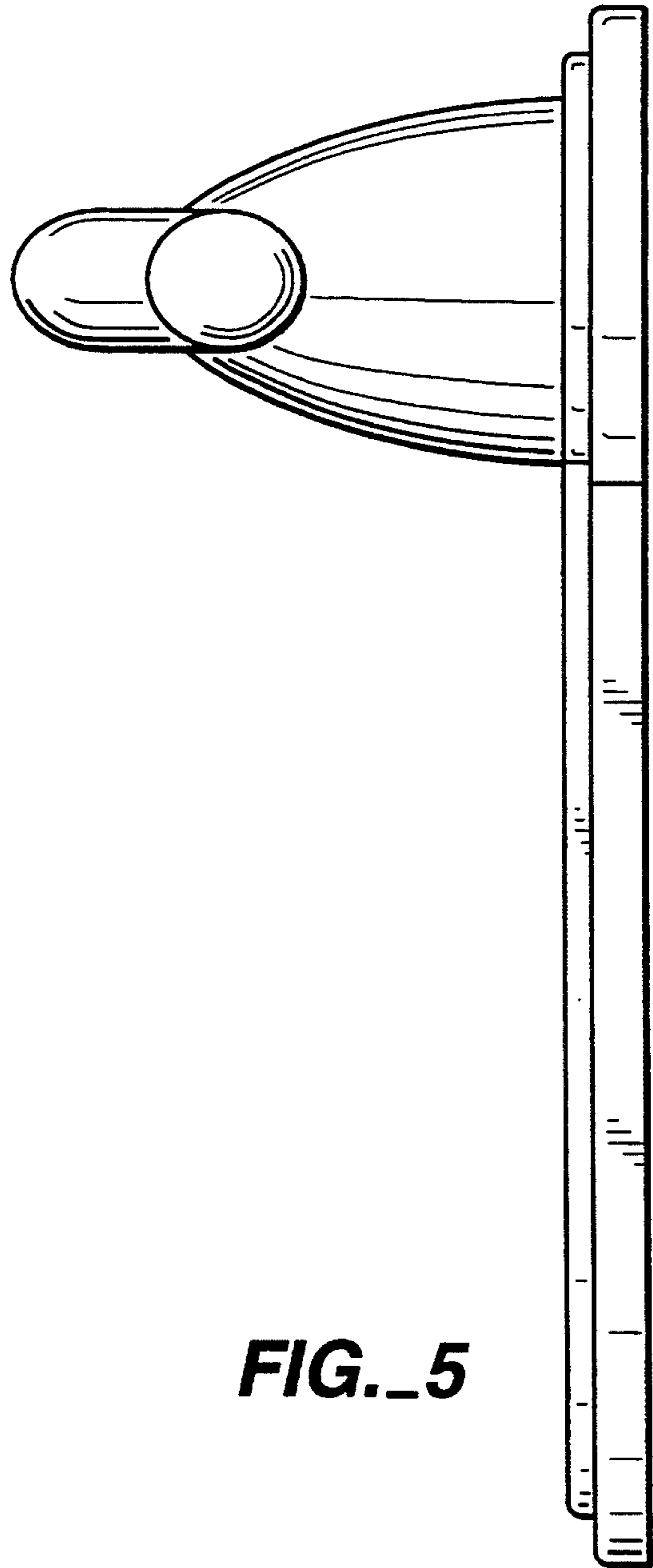


FIG._5