



US00D355342S

# United States Patent [19]

Davidson et al.

[11] Patent Number: Des. 355,342

[45] Date of Patent: \*\* Feb. 14, 1995

## [54] TOOL HANDLE

[75] Inventors: **John B. Davidson**, Chicago, Ill.;  
**Peter M. Roberts**, Chattanooga,  
Tenn.; **Kenneth Svetlik**, Schaumburg,  
Ill.

[73] Assignee: **Roberts Tool International (USA),  
Inc.**, Chicago, Ill.

[\*\*] Term: **14 Years**

[21] Appl. No.: **12,766**

[22] Filed: **Sep. 9, 1993**

[52] U.S. Cl. .... **D8/25; D8/107**

[58] Field of Search ..... **D8/14, 21, 25, 107;  
D4/138; 81/60, 61, 62, 63, 177.1, 489; 16/110  
R, 111 R, 116 R**

## [56] References Cited

### U.S. PATENT DOCUMENTS

D. 255,978	7/1980	Albertson .....	D8/25
D. 275,726	10/1984	Cleminshaw .....	D8/25
D. 300,296	3/1989	Krapowicz et al. ....	D8/25
D. 326,985	6/1992	Chow .....	D8/25
D. 329,970	10/1992	Lee .....	D8/25
D. 340,628	10/1993	Chow .....	D8/25
4,561,329	12/1985	Lack .....	81/62
5,178,047	1/1993	Arnold et al. ....	81/62

## OTHER PUBLICATIONS

Stanley Works—brochure sheet (undated) in public use prior to filing date of claimed design.

Snap-on Corporation—brochure sheet (undated) in public use prior to filing date of the claimed design.

Armstrong Tool—brochure sheet (undated) in public use prior to the filing date of the claimed design.

Allen Hand Tools—brochure sheet (undated) in public use prior to the filing date of the claimed design.

Sears Roebuck—brochure sheet (undated) in public use prior to the filing date of the claimed design.

*Primary Examiner*—Bernard Ansher

*Assistant Examiner*—Philip Hyder

*Attorney, Agent, or Firm*—William Brinks Hofer Gilson & Lione

## [57] CLAIM

The ornamental design for a tool handle, as shown and described.

## DESCRIPTION

FIG. 1 is a front top perspective view of a tool handle showing our new design;

FIG. 2 is a front view thereof;

FIG. 3 is a top end view thereof;

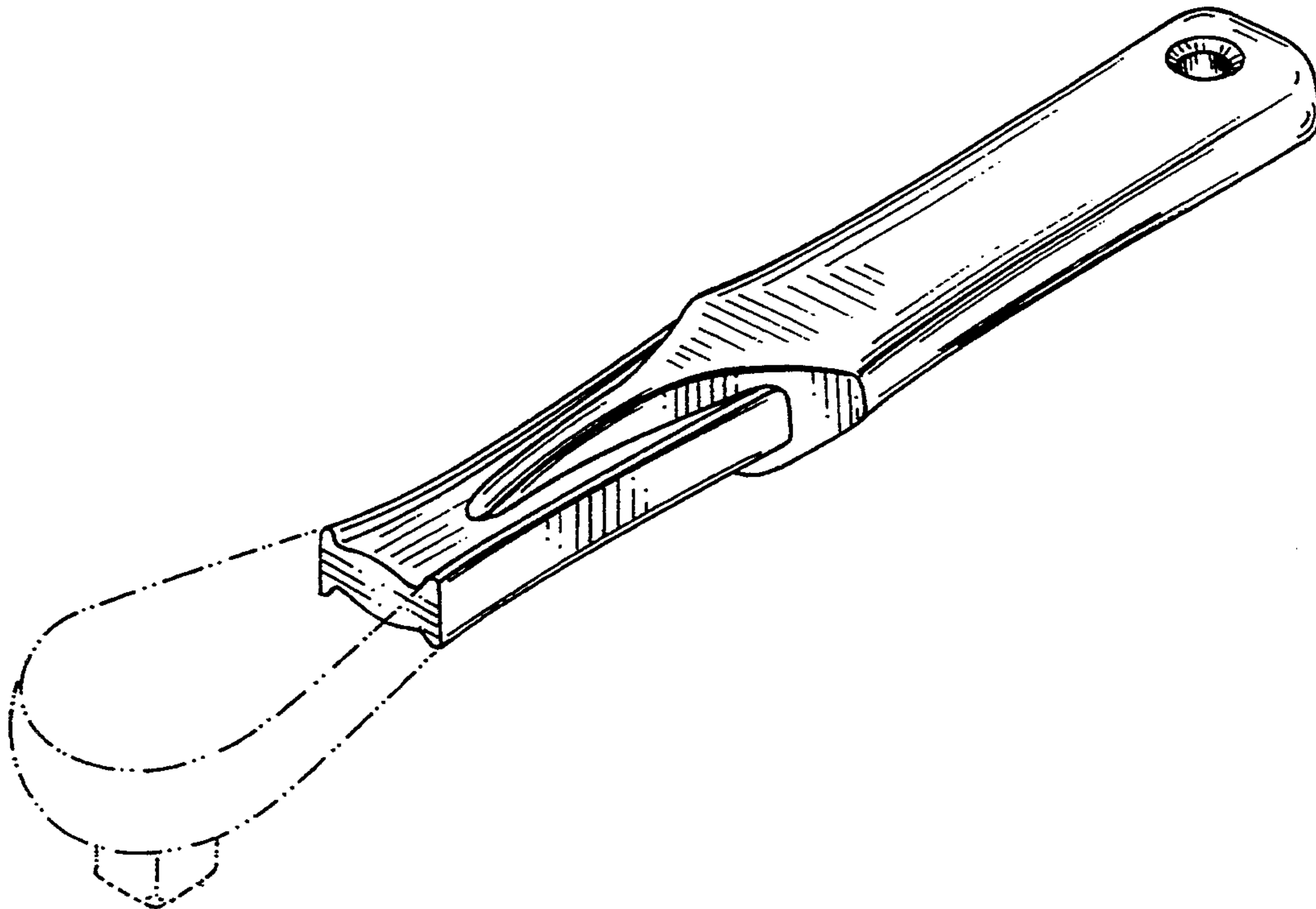
FIG. 4 is a bottom end view thereof;

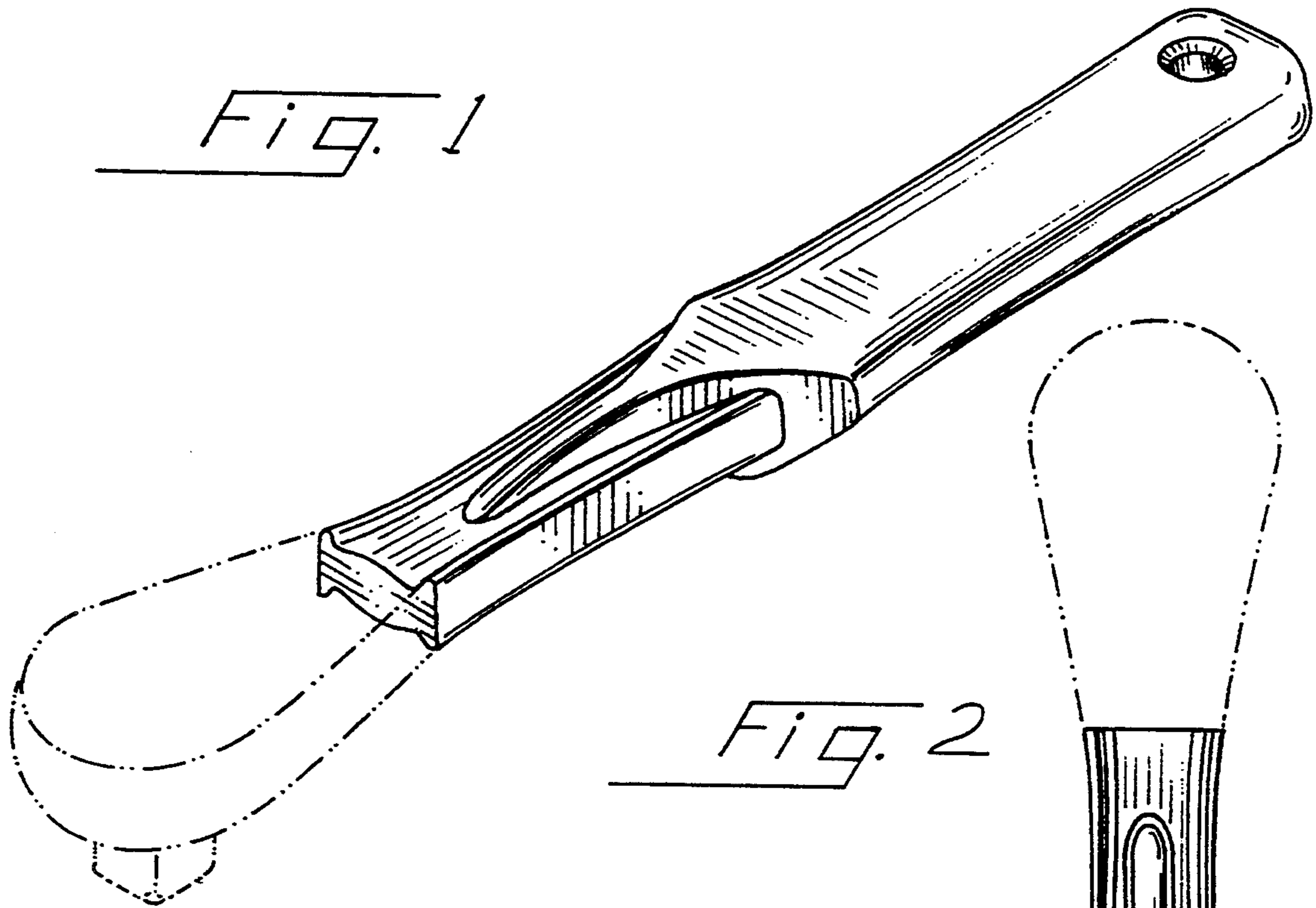
FIG. 5 is a right side view thereof;

FIG. 6 is a rear view thereof; and,

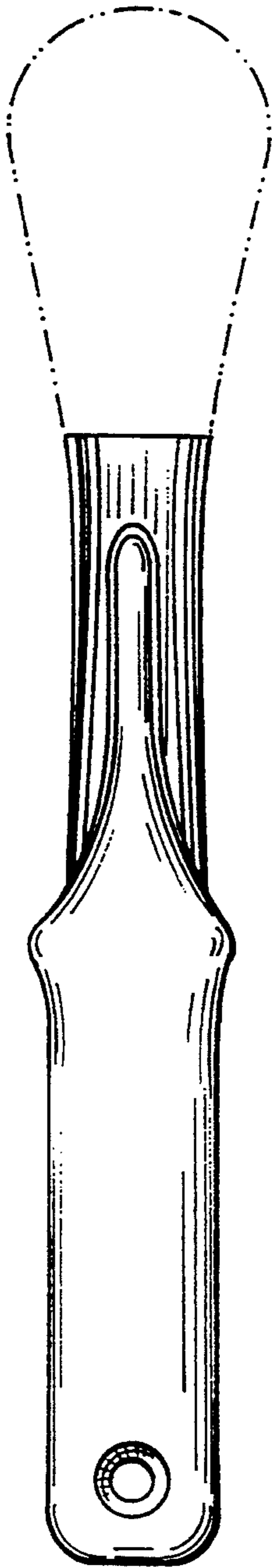
FIG. 7 is a left side view thereof.

The broken line showing of the socket wrench head is for illustrative purposes only and forms no part of the claimed design.

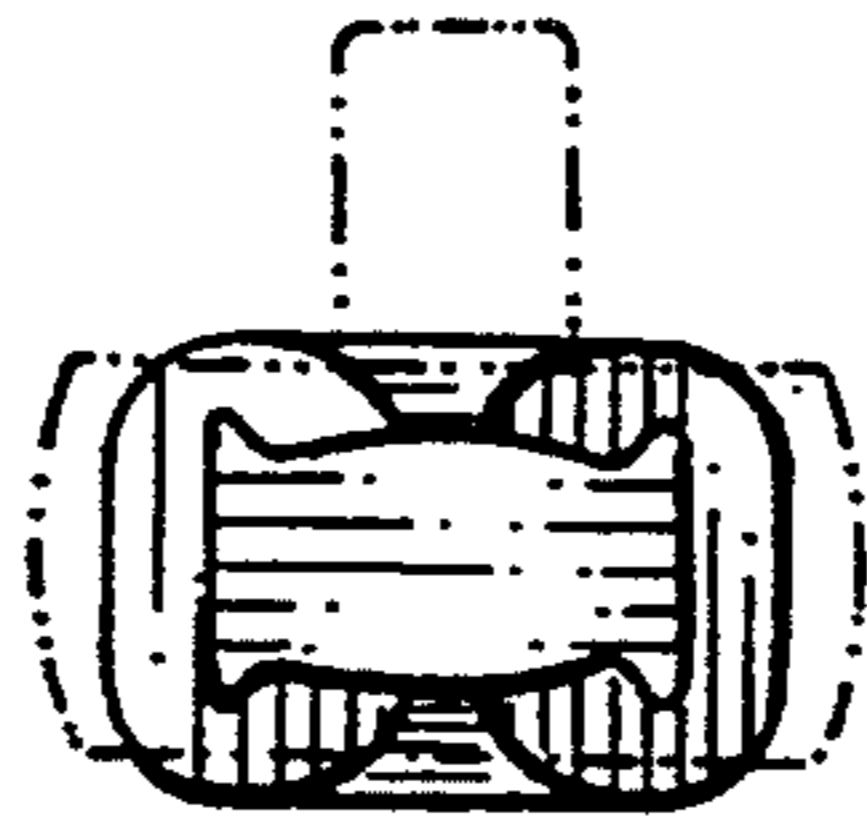




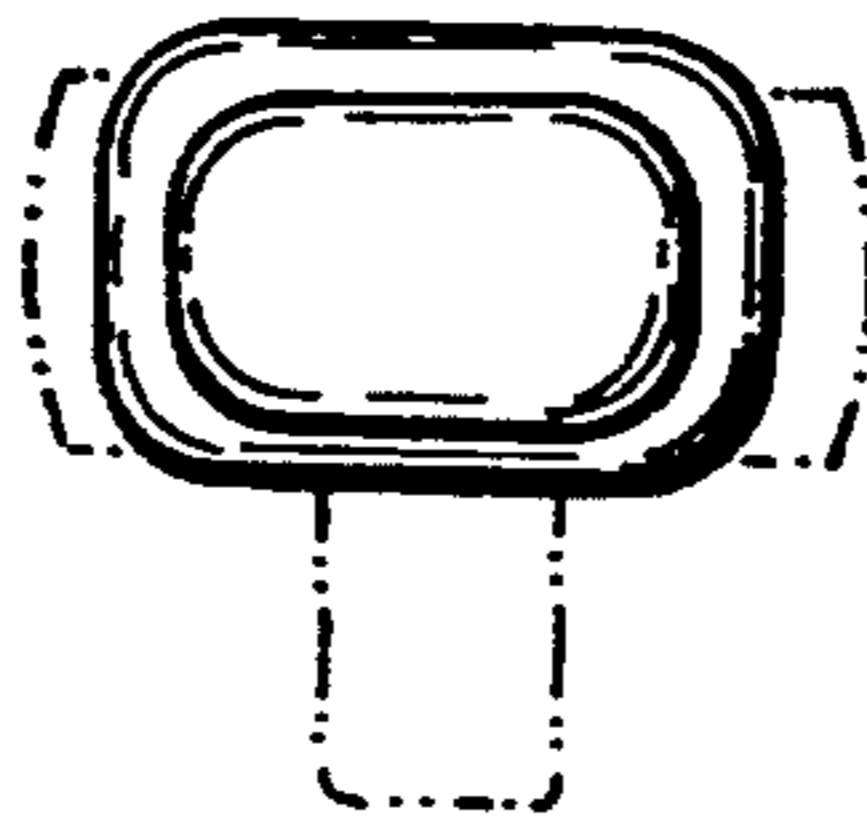
*Fig. 2*



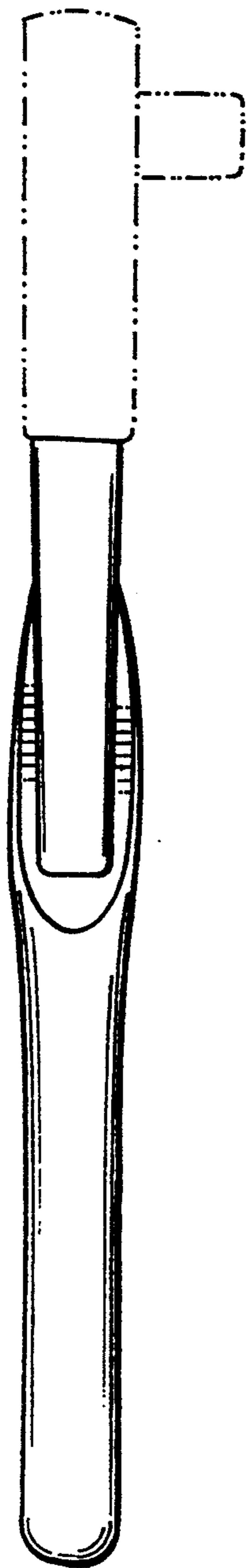
*Fig. 3*



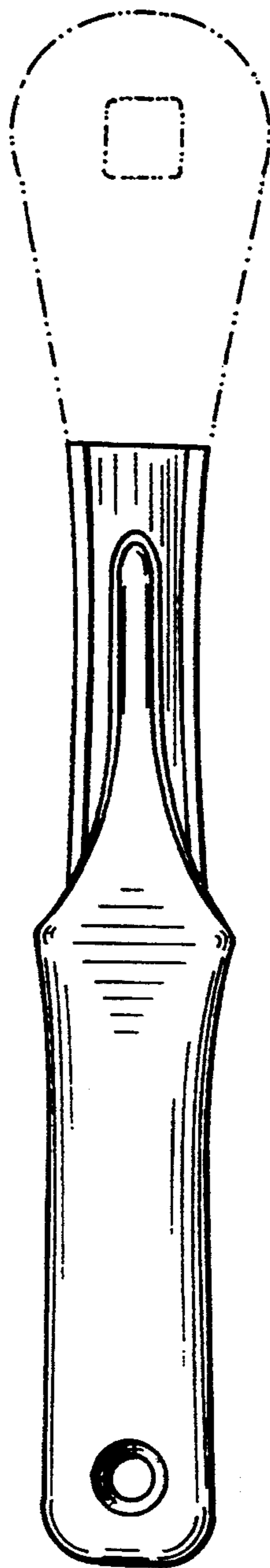
*Fig. 4*



*Fig. 5*



*Fig. 6*



*Fig. 7*

