



US00D355341S

**United States Patent** [19]  
**Cunha, III**

[11] **Patent Number: Des. 355,341**  
[45] **Date of Patent: \*\* Feb. 14, 1995**

[54] **FRUIT PICKER**  
[76] **Inventor: Moritz C. Cunha, III, 35386**  
**Moravian, Sterling Heights, Mich.**  
**48312**  
[\*\*] **Term: 14 Years**  
[21] **Appl. No.: 17,937**  
[22] **Filed: Jan. 26, 1994**  
[52] **U.S. Cl. .... D8/1**  
[58] **Field of Search ..... 56/239, 333; D8/1;**  
**294/49**

5,083,418 1/1992 Reece ..... 56/239

**OTHER PUBLICATIONS**

The Alsto Company Catalog, 1989, p. 28, fruit harvester located in upper right corner of page.

*Primary Examiner*—James M. Gandy  
*Assistant Examiner*—H. Baynham  
*Attorney, Agent, or Firm*—Terry M. Gernstein

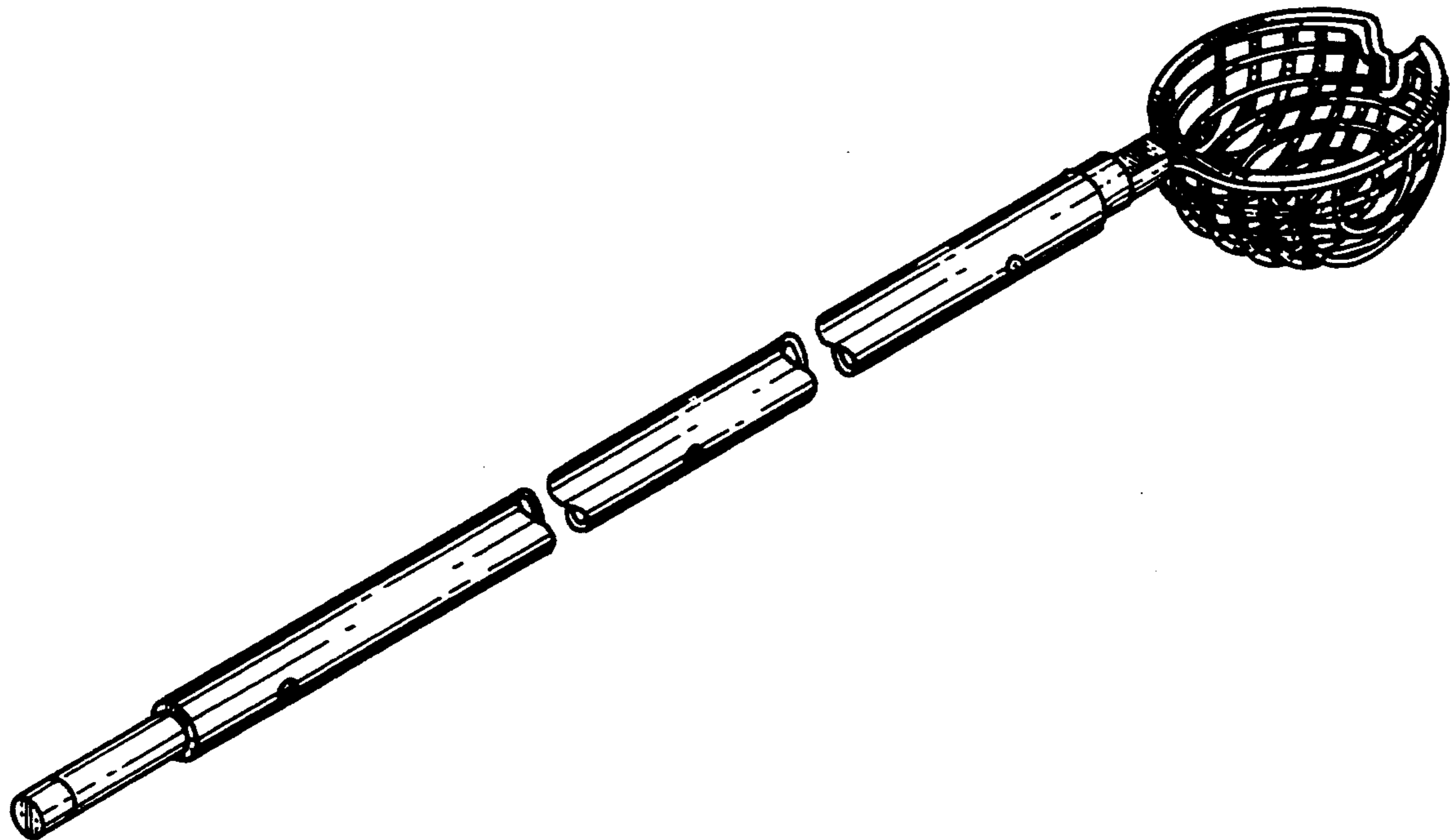
**CLAIM**

[57] The ornamental design for a fruit picker, as shown and described.

**DESCRIPTION**

FIG. 1 is a front, top and side perspective view of the fruit picker showing my new design;  
FIG. 2 is a front elevational view thereof;  
FIG. 3 is a rear elevational view thereof;  
FIG. 4 is a side elevational view thereof, the side opposite being a mirror image of the side shown in FIG. 4;  
FIG. 5 is a top plan view thereof; and,  
FIG. 6 is a bottom plan view thereof.

[56] **References Cited**  
**U.S. PATENT DOCUMENTS**  
213,105 3/1879 Greenwood ..... 56/333  
431,709 7/1890 Ridlon ..... 56/333  
636,738 11/1899 Allen ..... 294/49  
774,737 11/1904 Borden ..... 56/333  
1,070,204 8/1913 Sweeney ..... 56/333  
2,990,668 7/1961 Brendel .  
4,835,955 6/1989 Gaubis .



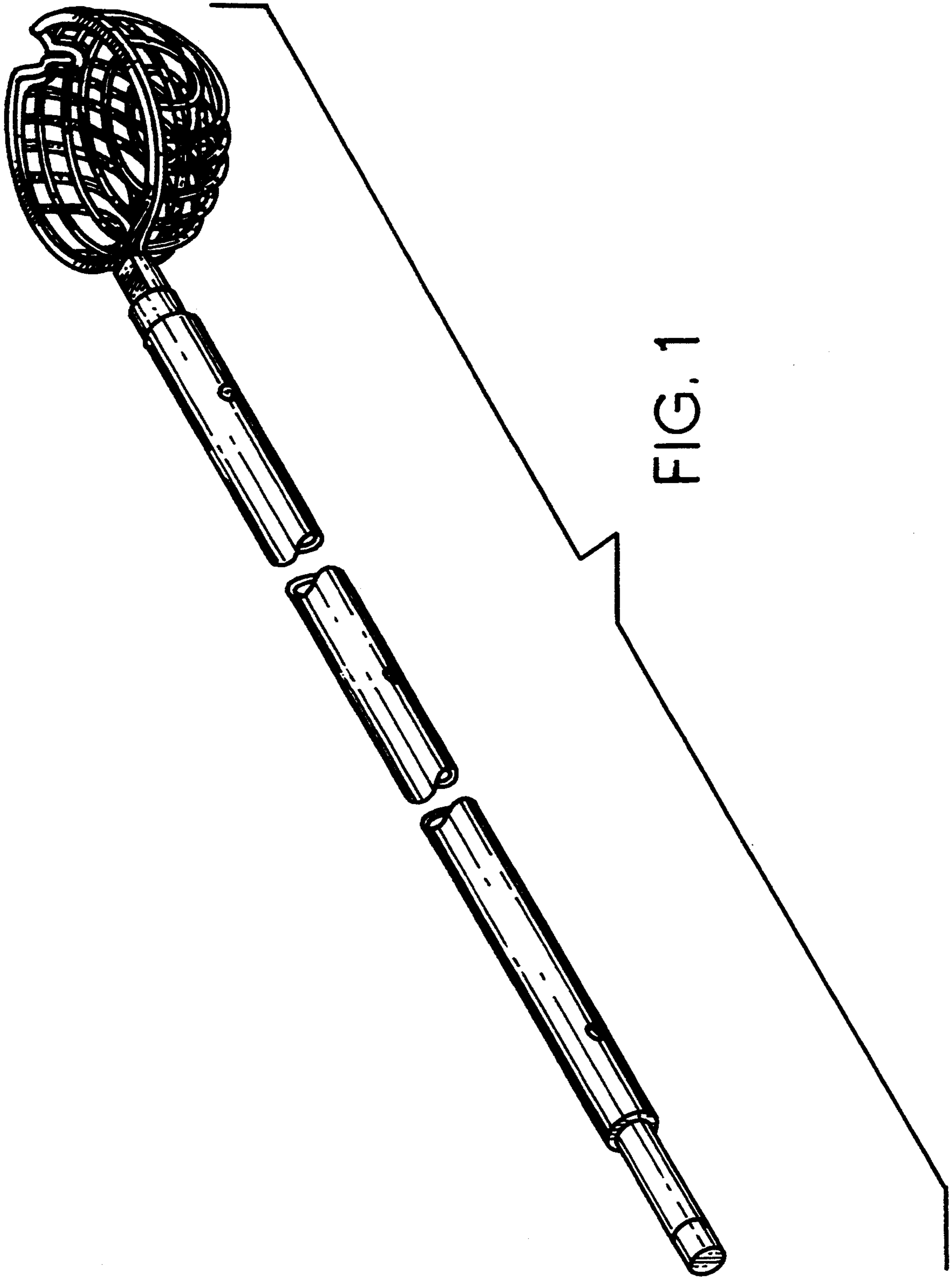
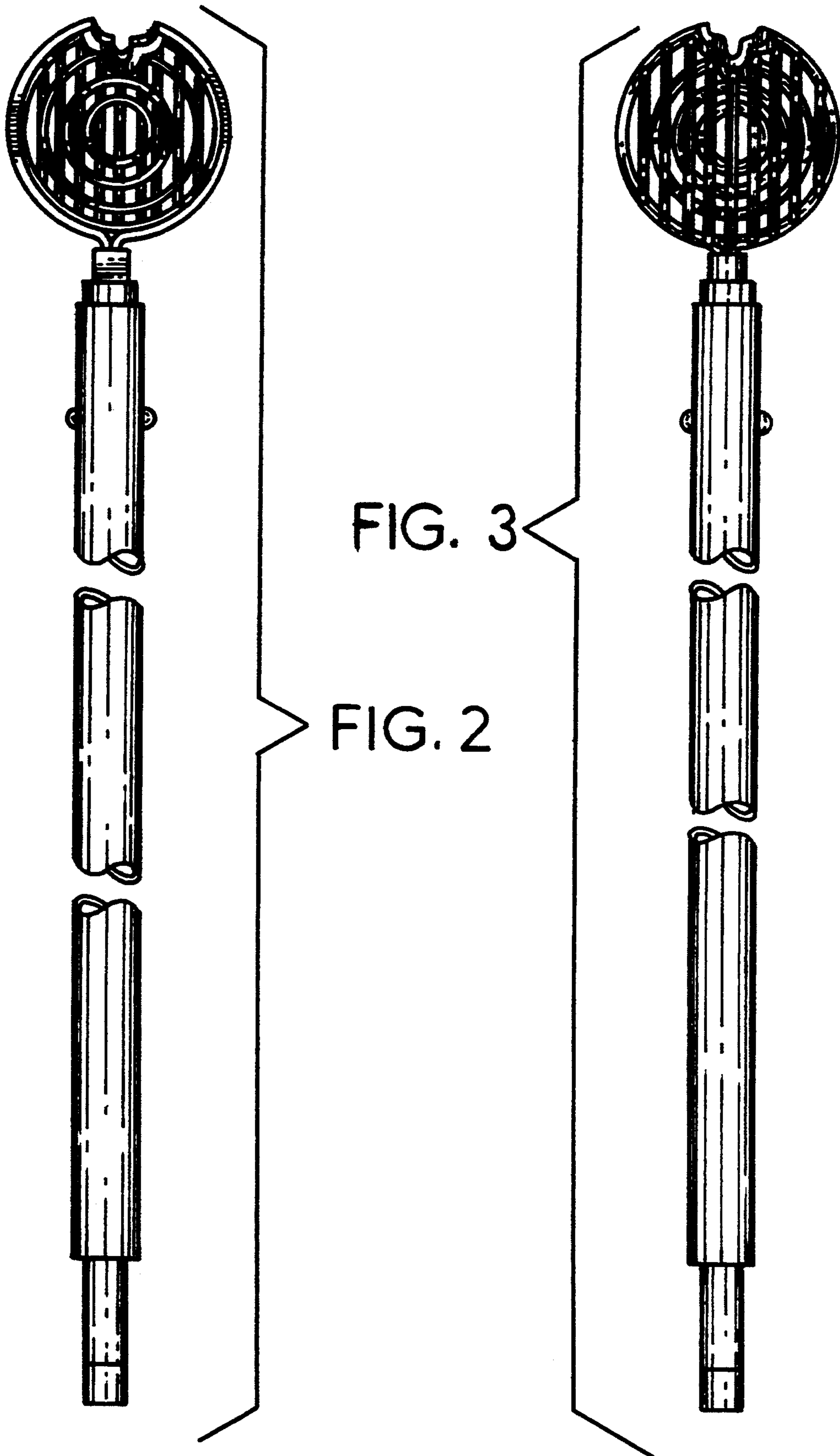


FIG. 1



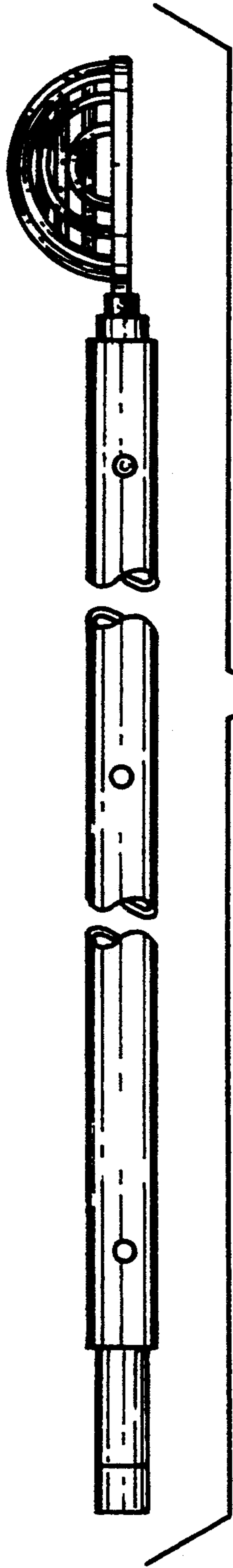


FIG. 4

FIG. 5

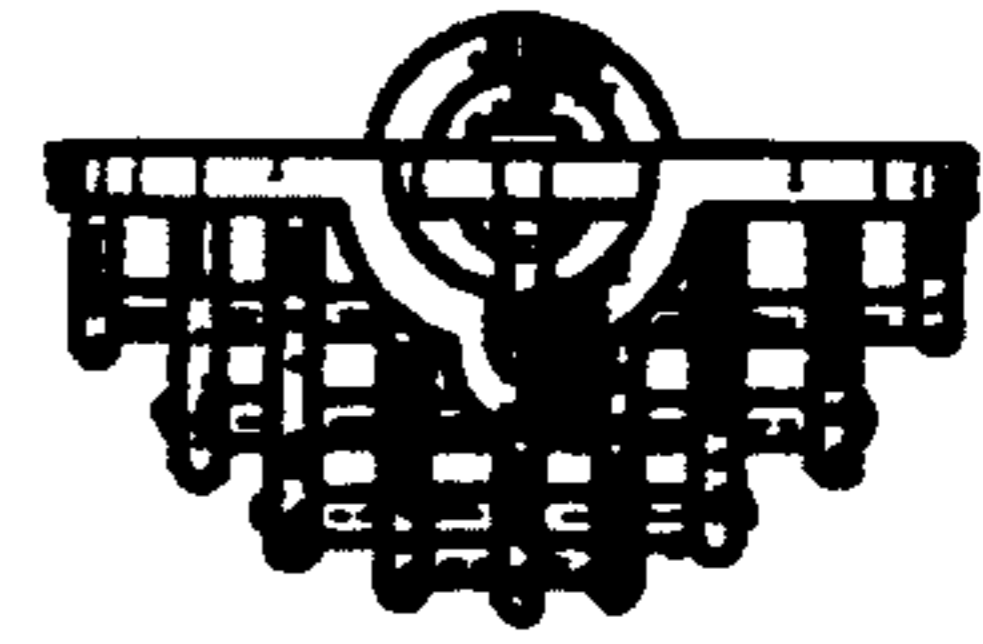


FIG. 6

