



US00D355333S

# United States Patent [19] Campbell

[11] Patent Number: **Des. 355,333**  
[45] Date of Patent: **\*\* Feb. 14, 1995**

- [54] **MULTI-COMPARTMENT FOOD SERVICE TRAY**
- [75] Inventor: **Argyle Campbell**, Newport Beach, Calif.
- [73] Assignee: **Cambro Manufacturing Company**, Huntington Beach, Calif.
- [\*\*] Term: **14 Years**
- [21] Appl. No.: **17,233**
- [22] Filed: **Jan. 7, 1994**
- [52] U.S. Cl. .... **D7/553; D7/555; D7/550**
- [58] Field of Search ..... **D7/500, 505, 507, 543, D7/546, 549, 550, 552, 553, 554, 555, 557; D9/341, 347; 220/555, 556; 211/126, 133**

- [56] **References Cited**
- U.S. PATENT DOCUMENTS**
- D. 20,487 1/1891 McBride ..... D7/555
  - D. 22,305 3/1893 Gulick .
  - Re. 30,962 6/1982 Bridges .
  - D. 54,971 4/1920 Thompson .
  - D. 55,218 5/1920 Torgeson .
  - D. 122,589 9/1940 Bastress ..... D7/553
  - D. 132,425 5/1942 Erickson .
  - D. 199,684 12/1964 Lombardo ..... D7/554
  - D. 201,454 6/1965 Lindstrom et al. .
  - D. 206,761 1/1967 Kirwan .
  - D. 206,763 1/1967 Kirwan .
  - D. 208,260 8/1967 Meyer .
  - D. 213,631 3/1969 Scott .
  - D. 214,523 6/1969 Stone .
  - D. 224,207 7/1972 Cyr et al. .
  - D. 225,364 12/1972 Antoni .
  - D. 231,424 4/1974 Brides et al. .... D7/554
  - D. 247,765 4/1978 Pariente .
  - D. 249,774 10/1978 Seager .
  - D. 251,536 4/1979 Hansen .
  - D. 255,310 6/1980 Spencer .
  - D. 255,752 7/1980 Kallstrom .
  - D. 261,589 11/1981 Herbst .
  - D. 261,590 11/1981 Herbst .
  - D. 261,591 11/1981 Herbst ..... D7/553
  - D. 264,538 5/1982 Pomroy .
  - D. 266,435 10/1982 Laughlin .
  - D. 267,766 2/1983 Storrs .
  - D. 267,767 2/1983 Storrs .
  - D. 268,317 3/1983 Wyatt, Jr. .

- D. 271,932 12/1983 Mosley .
- D. 276,201 11/1984 Wolff ..... D7/554
- D. 280,060 8/1985 Holzkopf .
- D. 280,669 9/1985 Hammeke .
- D. 292,768 11/1987 Kearney .
- D. 310,315 9/1990 Bitel .
- 313,218 3/1885 Leslie ..... 220/555
- D. 316,359 4/1991 Anderson .
- D. 318,207 7/1991 Anderson .
- D. 333,842 3/1993 Kirchner .
- D. 338,135 8/1993 Anderson ..... D7/553
- 1,962,556 6/1934 Eberhardt, Jr. .
- 2,415,767 2/1947 Shaw ..... 220/555 X
- 2,652,702 9/1953 Hintze .
- 3,305,124 2/1967 Whiteford .
- 3,305,126 2/1967 Cease .
- 3,501,044 3/1970 Stone .
- 3,532,247 10/1970 Bridges .
- 4,232,789 11/1980 Springer ..... 211/133
- 4,838,444 6/1989 Bitel .

### OTHER PUBLICATIONS

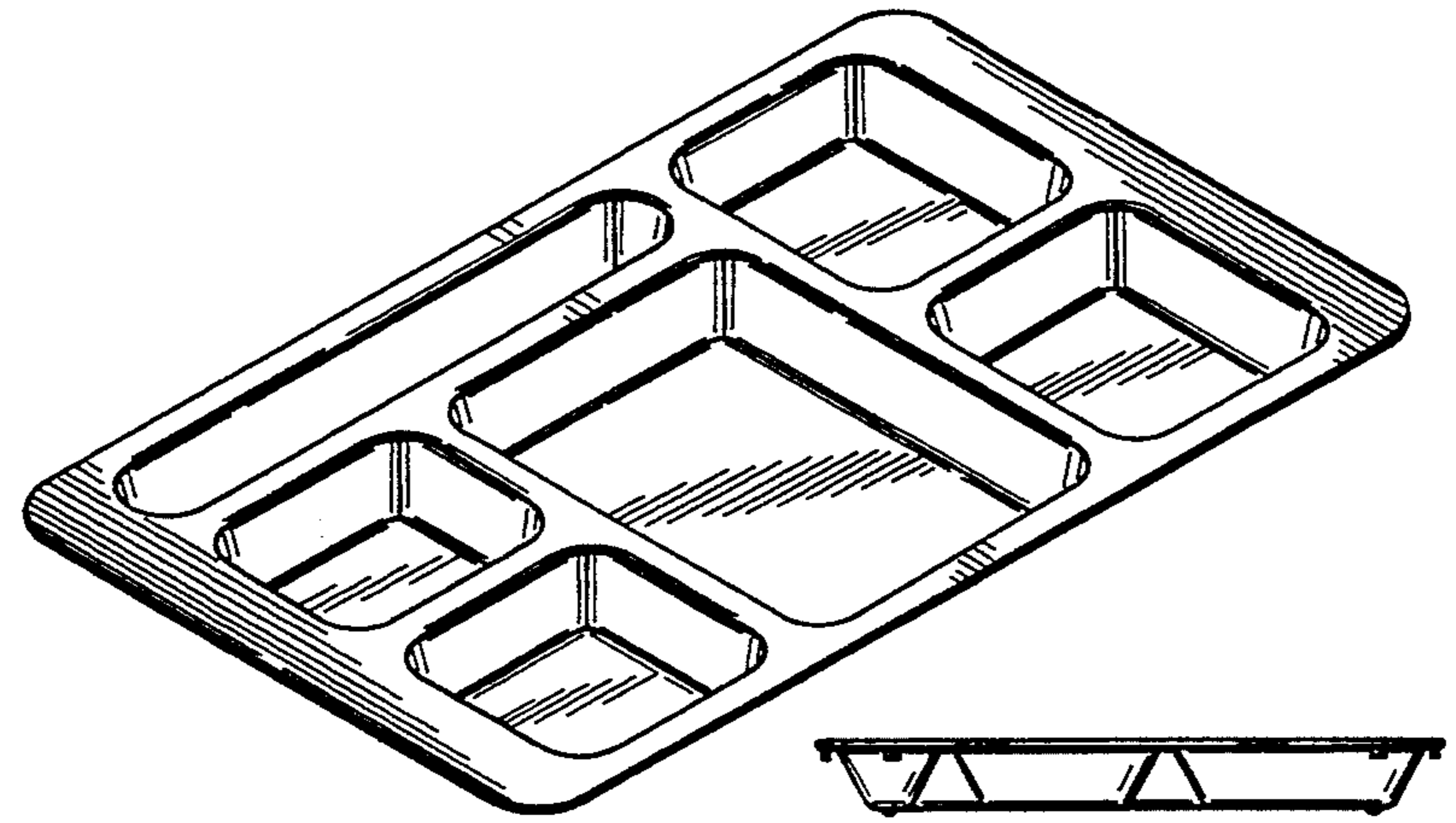
Silite's Boilable Compartment Tray, Restaurant Equipment Dealer Jul. 1958.  
 Jones-Zylon, Inc., Autoclavable Plastic Dinnerware and Tumblers, May 1, 1981, pp. 6-7.  
*Primary Examiner*—Alan P. Douglas  
*Assistant Examiner*—M. N. Pandozzi  
*Attorney, Agent, or Firm*—George F. Bethel; Patience K. Bethel

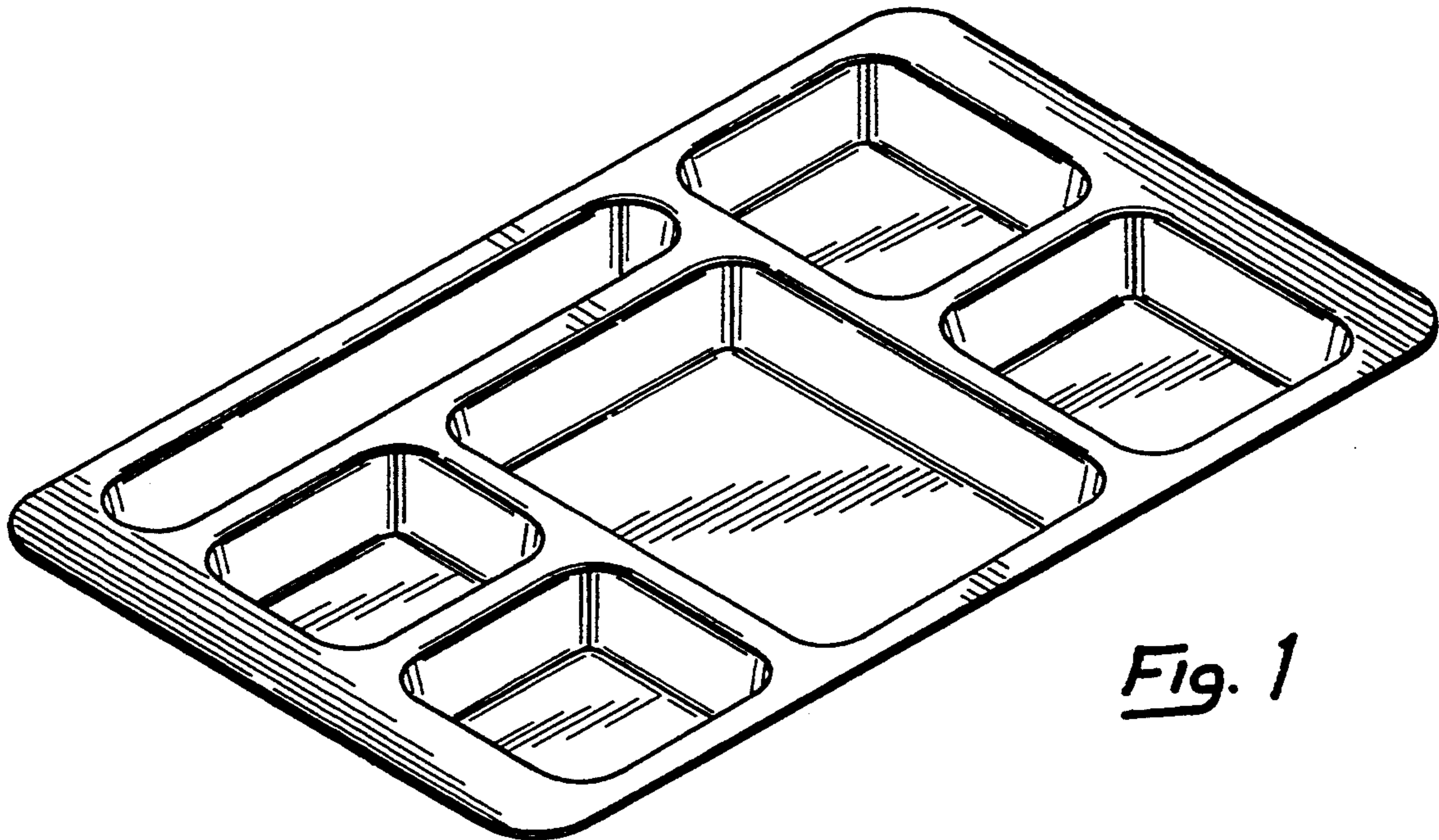
### CLAIM

[57] The ornamental design for a multi-compartment food service tray, as shown.

### DESCRIPTION

FIG. 1 shows a perspective view of my new and ornamental design for a multi-compartment food service tray;  
 FIG. 2 shows a top plan view;  
 FIG. 3 shows an end elevation view looking from the left side of FIG. 1;  
 FIG. 4 shows a front elevation view looking from the frontal portion of FIG. 1;  
 FIG. 5 shows a rear elevation view looking from the back of the tray as shown in FIG. 1;  
 FIG. 6 shows an end view looking from the right side of FIG. 1; and,  
 FIG. 7 shows a bottom plan view thereof.

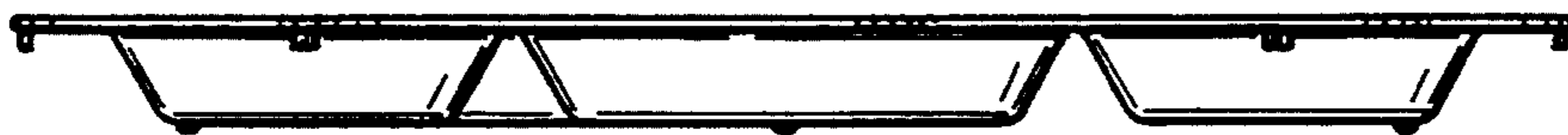




*Fig. 3*



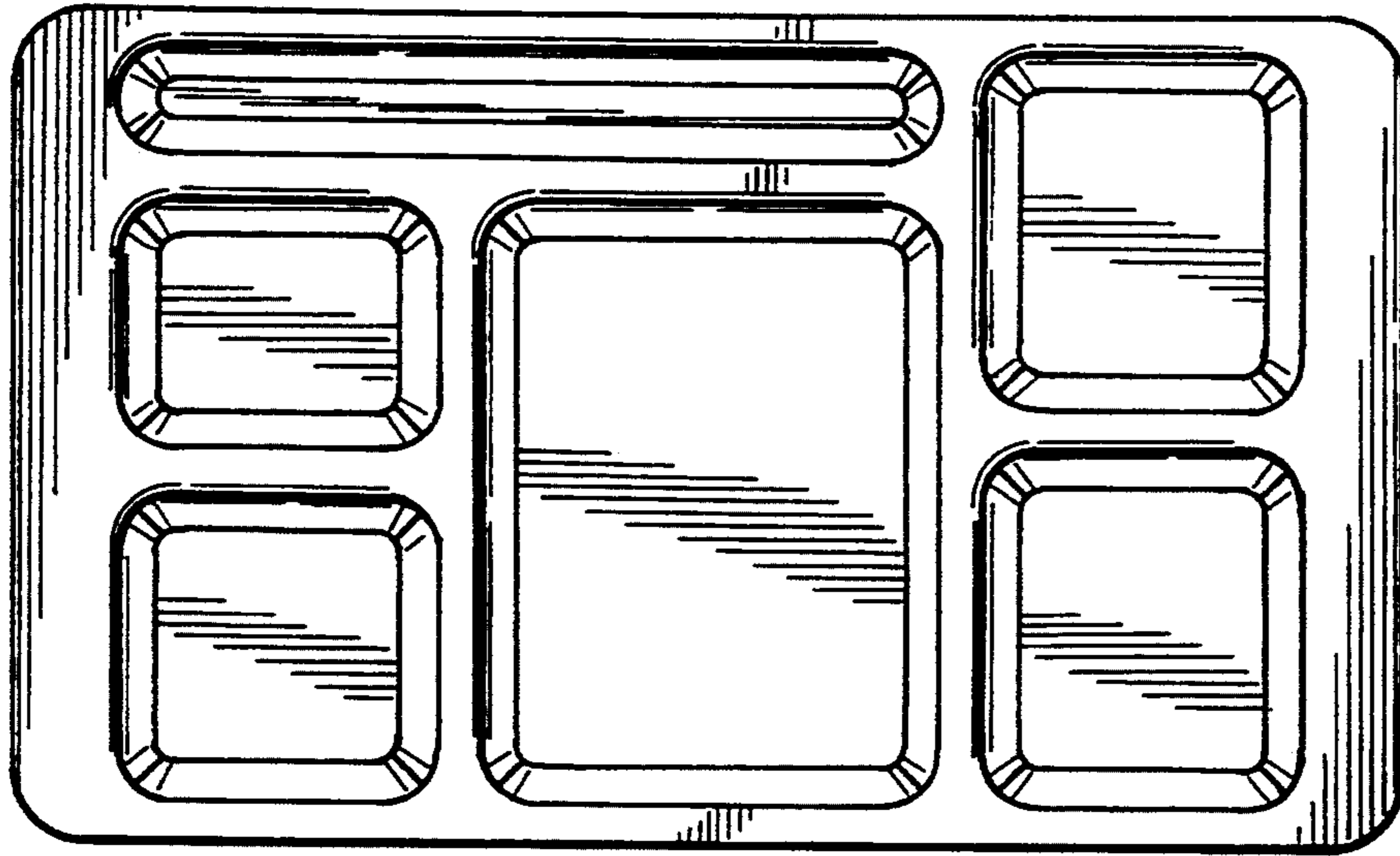
*Fig. 4*



*Fig. 6*







*Fig. 2*

*Fig. 5*



*Fig. 7*

