



US00D355329S

# United States Patent [19]

[11] Patent Number: **Des. 355,329**

**Ullmann**

[45] Date of Patent: **\*\* Feb. 14, 1995**

[54] **COFFEE-POT**

D. 339,712	9/1993	Bunn et al.	.....	D7/318
4,748,901	6/1988	Burmeister	.....	D7/309 X
4,759,274	7/1988	Schmidt	.....	D7/309 X

[75] Inventor: **Roland Ullmann,**  
Offenbach-Rumpenheim, Germany

[73] Assignee: **Braun Aktiengesellschaft,** Germany

[\*] Notice: The portion of the term of this patent subsequent to Jan. 31, 2009 has been disclaimed.

[\*\*] Term: **14 Years**

[21] Appl. No.: **5,340**

[22] Filed: **Mar. 2, 1993**

[30] **Foreign Application Priority Data**

Sep. 3, 1992 [DE] Germany ..... DMA/001892

[52] U.S. Cl. .... **D7/317; D7/316;**  
**D7/318; D7/312**

[58] Field of Search ..... **D7/305, 309, 310, 311,**  
**D7/301, 302, 303, 312, 316, 318, 317, 319, 321,**  
**300; 99/279**

[56] **References Cited**

**U.S. PATENT DOCUMENTS**

D. 158,236	4/1947	Ward	.....	D7/316 X
D. 261,344	10/1981	Maass	.....	D7/309
D. 268,319	3/1983	Donoski et al.	.....	D7/318
D. 288,517	3/1987	Kahlcke	.	
D. 288,885	3/1987	Kahlcke	.	
D. 299,608	1/1989	Knöchner	.....	D7/309
D. 314,881	2/1991	Wongergem et al.	.....	D7/310 X
D. 326,206	5/1992	Rakocy et al.	.....	D7/318 X
D. 326,386	5/1992	Rakocy et al.	.....	D7/300 X
D. 339,711	9/1993	Precht et al.	.....	D7/310 X

**FOREIGN PATENT DOCUMENTS**

73MR8186	8/1973	Germany	.
73MR8232	2/1974	Germany	.
11MR784	11/1982	Germany	.
016657	5/1990	Germany	.
020329	8/1991	Germany	.
9105895.3	8/1991	Germany	.
9107623.4	10/1991	Germany	.
115519	9/1986	Switzerland	.

**OTHER PUBLICATIONS**

Coffee Pot By Salton (#2) W. Bell 1987 p. 297.  
Melitta Filterautomaten product literature.  
Melitta product literature, 1989.

*Primary Examiner*—Alan P. Douglas  
*Assistant Examiner*—M. N. Pandozzi  
*Attorney, Agent, or Firm*—Fish & Richardson

[57] **CLAIM**

The ornamental design for a coffee-pot, as shown and described.

**DESCRIPTION**

**FIG. 1** is a top, front perspective view of a coffee-pot showing my new design;  
**FIG. 2** is a top plan view thereof;  
**FIG. 3** is a side view thereof;  
**FIG. 4** is a front view thereof;  
**FIG. 5** is a rear view thereof;  
**FIG. 6** is a side view thereof; and,  
**FIG. 7** is a bottom plan view thereof.

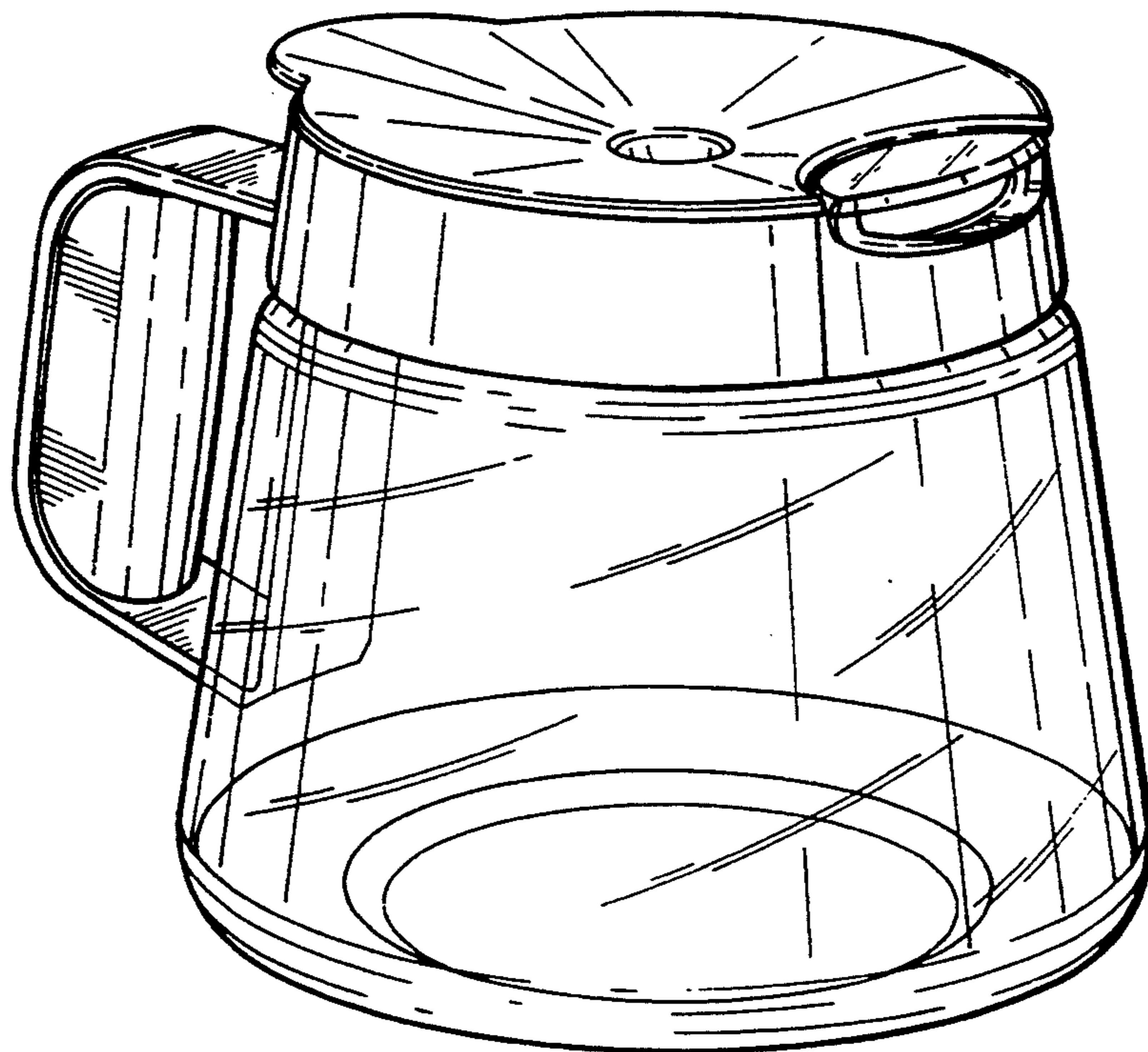


Fig. 1

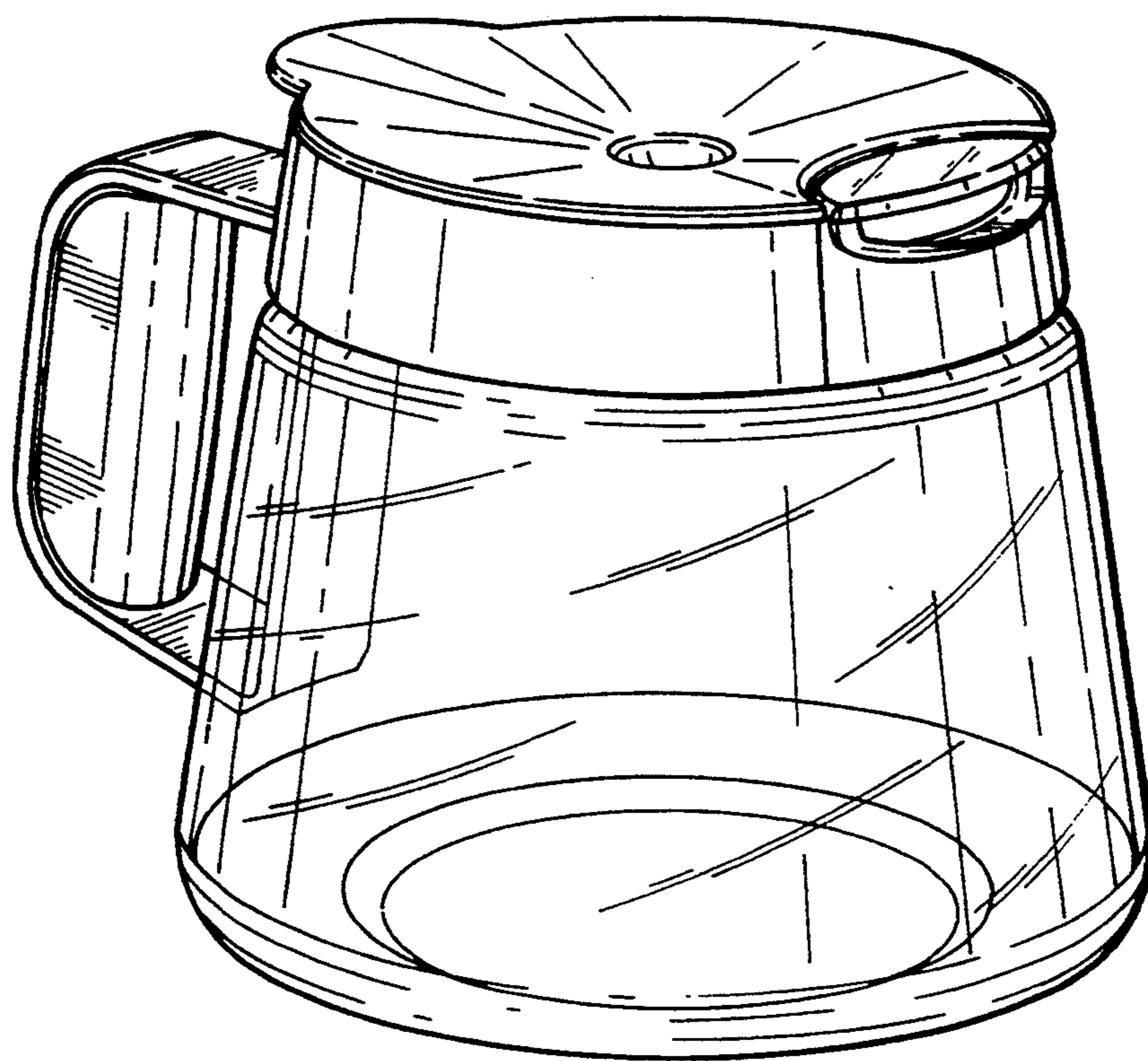


Fig. 2

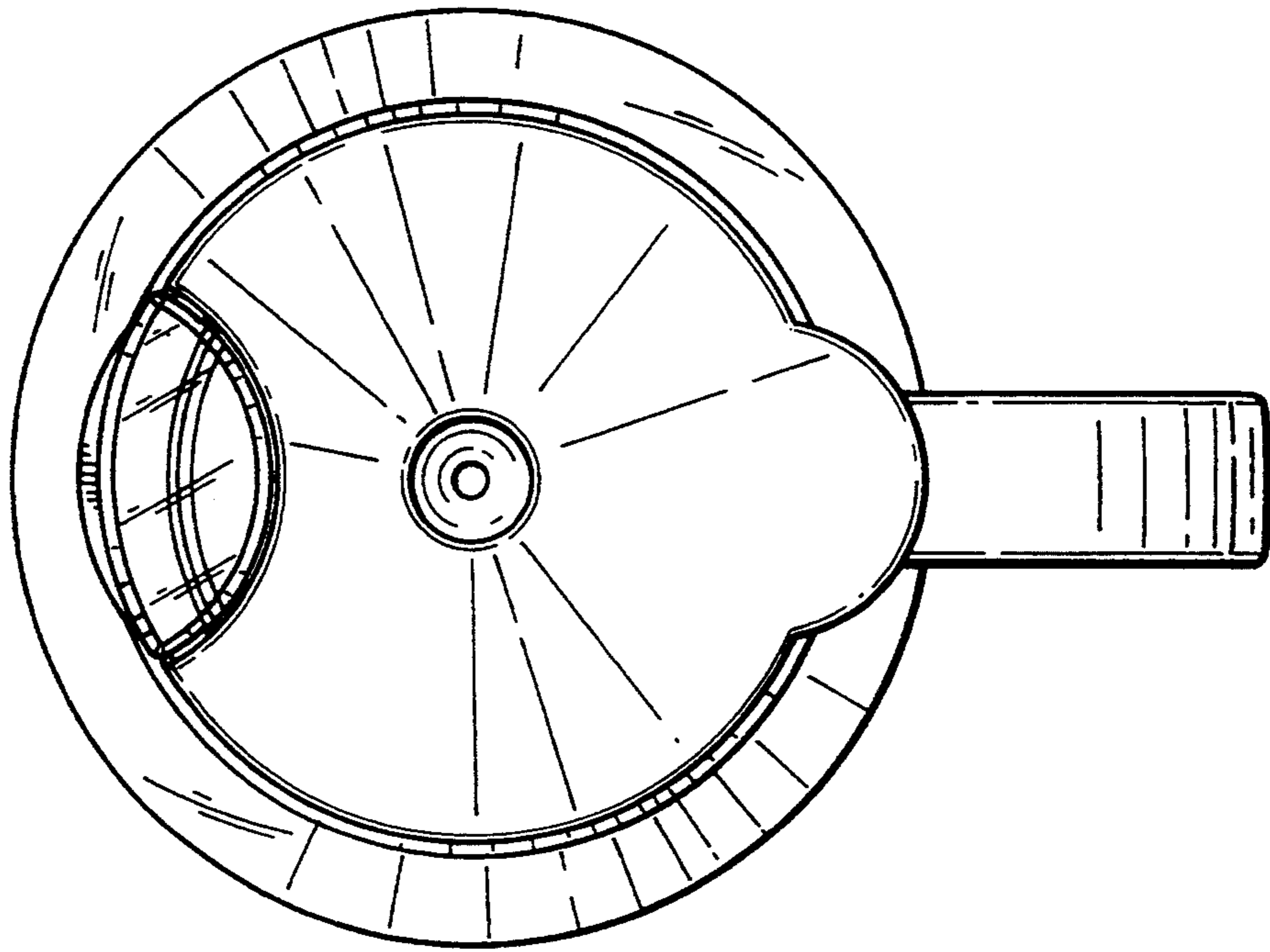


Fig. 3

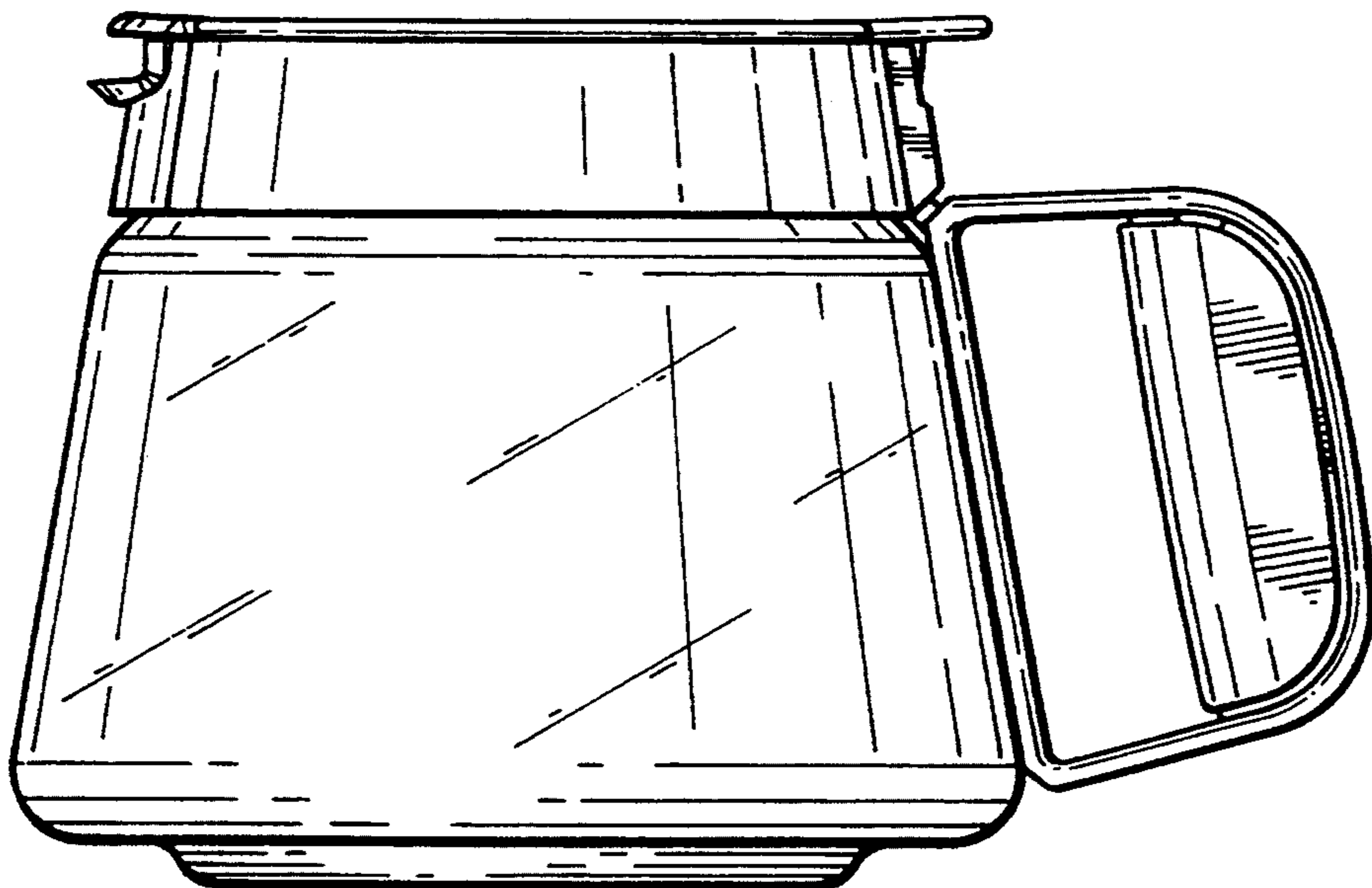


Fig. 4

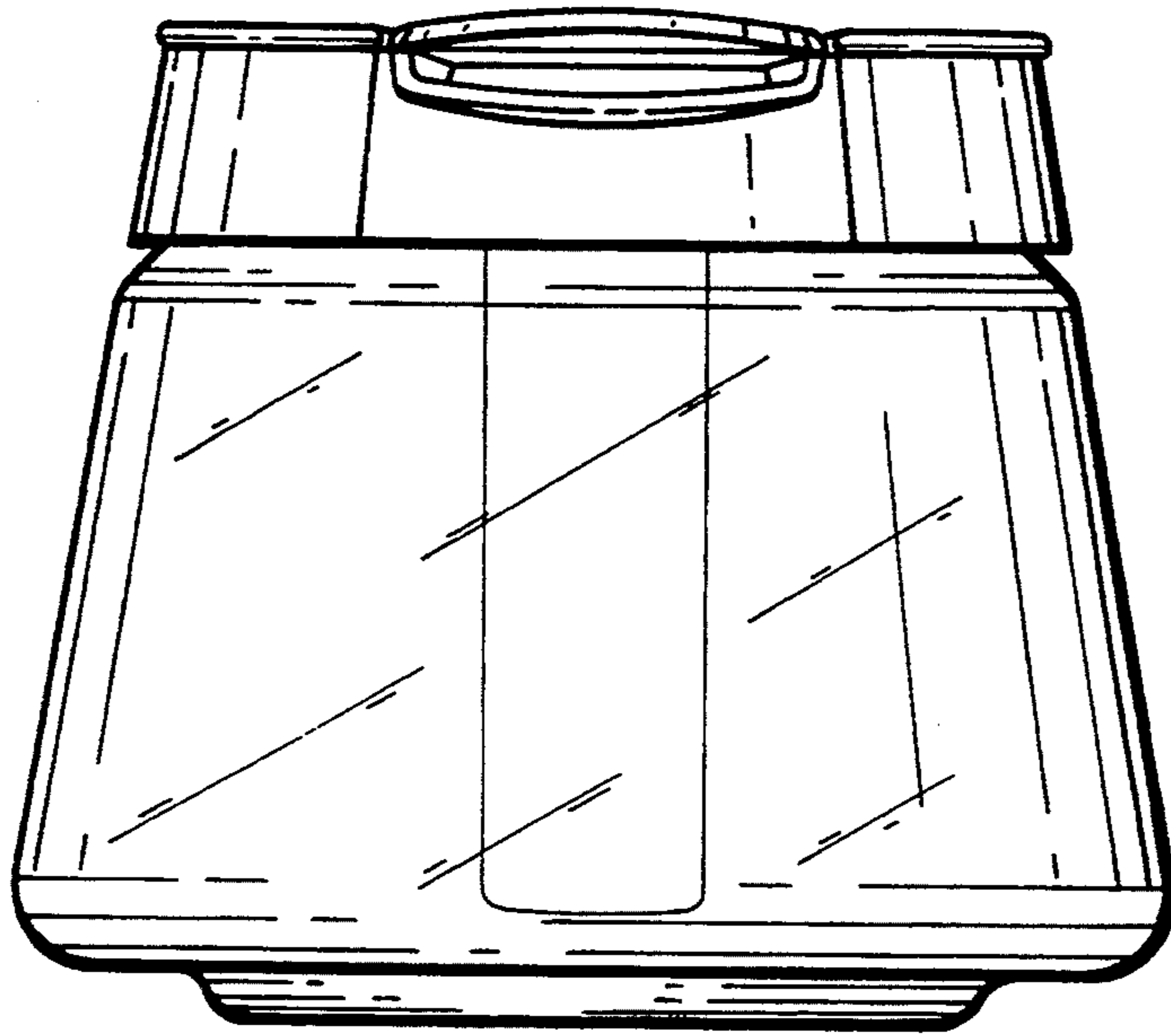


Fig. 5

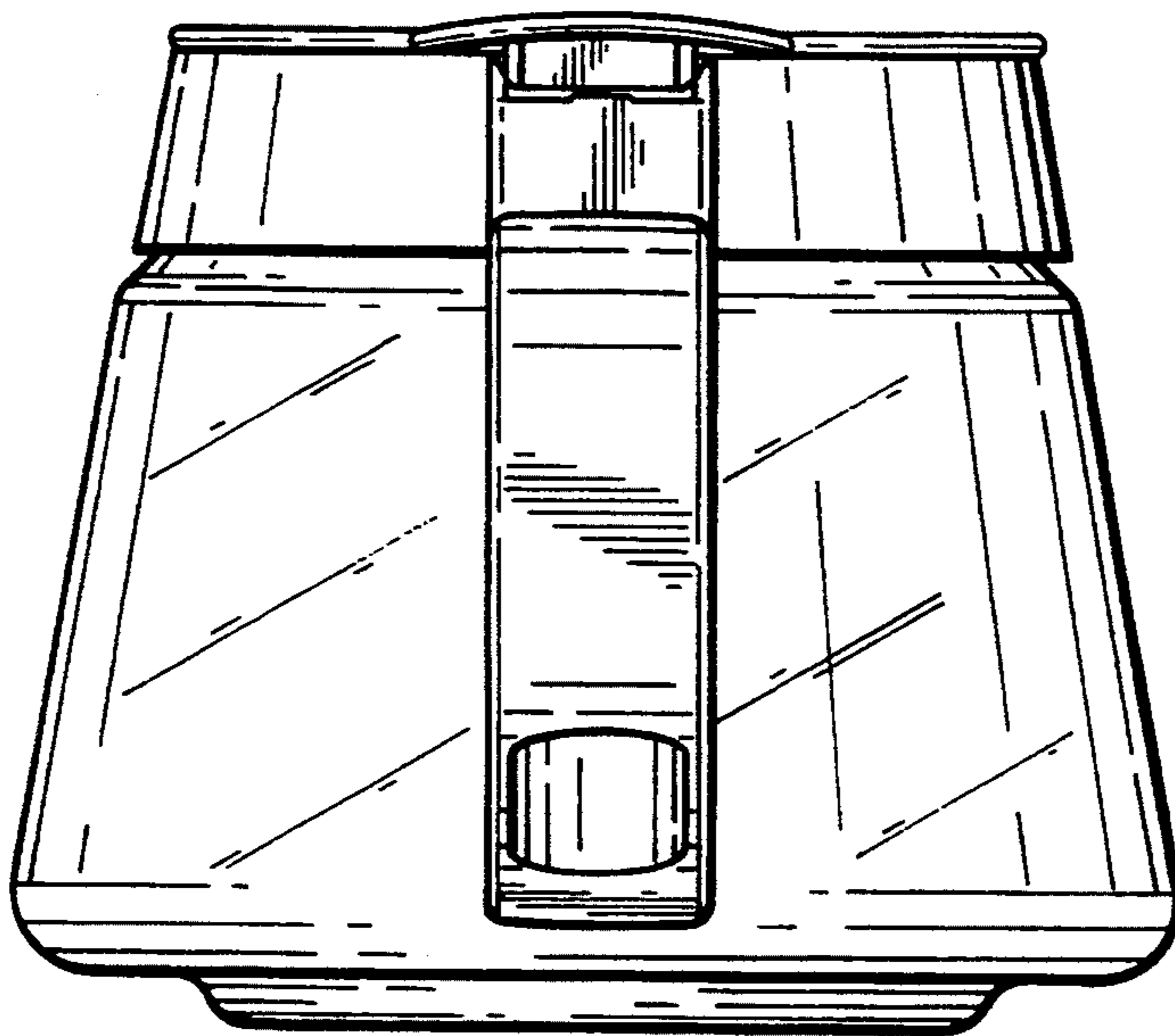


Fig. 6

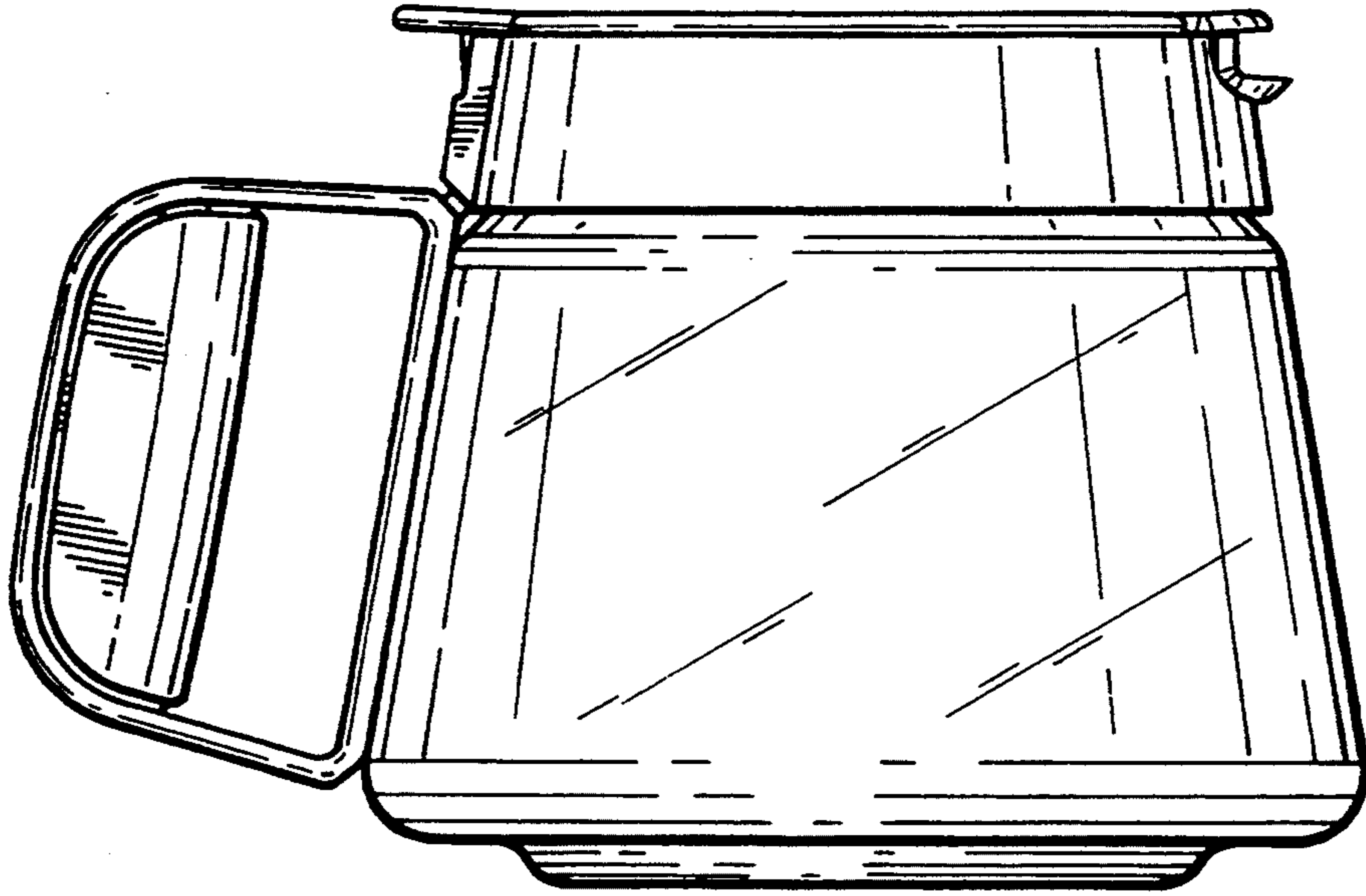


Fig. 7

