



US00D355328S

**United States Patent** [19]  
**Lebowitz**

[11] **Patent Number: Des. 355,328**  
[45] **Date of Patent: \*\* Feb. 14, 1995**

[54] **TEA KETTLE**  
[75] **Inventor: Sam Lebowitz, New York, N.Y.**  
[73] **Assignee: Wilton Industries, Inc., Woodridge, Ill.**  
[\*\*] **Term: 14 Years**  
[21] **Appl. No.: 4,028**  
[22] **Filed: Jan. 25, 1993**  
[52] **U.S. Cl. .... D7/302; D7/312**  
[58] **Field of Search ..... D7/515, 318, 518, 559, D7/301, 302, 322, 321, 318, 312, 313, 604, 613, 623, 539, 319; D9/307, 329, 310**

D. 288,890 3/1987 Lebowitz ..... D7/319  
D. 308,315 6/1990 Ancona et al. .... D7/321 X  
D. 333,753 3/1993 Ancona et al. .... D7/318 X

**FOREIGN PATENT DOCUMENTS**

1145115 3/1967 United Kingdom ..... D9/307

**OTHER PUBLICATIONS**

Teapot by Ernest Sohn, *The Gift & Art Buyer*, Jan. 1962, p. 48.  
Pear Box, *The Horchow Collection* Jun.-Jul. 1973.

*Primary Examiner*—Alan P. Douglas  
*Assistant Examiner*—M. N. Pandozzi  
*Attorney, Agent, or Firm*—Rockey, Rifkin & Ryther

[56] **References Cited**

**U.S. PATENT DOCUMENTS**

D. 67,216 5/1925 Levey ..... D7/301 X  
D. 67,876 7/1925 Couch ..... D9/329 X  
D. 78,715 6/1929 Repenning ..... D7/301  
D. 108,362 2/1938 Buma ..... D7/302  
D. 165,824 2/1952 Collins ..... D7/301  
D. 193,690 9/1962 Hayes ..... D9/329  
D. 233,413 10/1974 Pietsch ..... D9/329  
D. 267,396 12/1982 McDuffee, Sr. et al. .... D9/329  
D. 283,582 4/1986 Lasco ..... D7/302  
D. 287,918 1/1987 Levien ..... D7/319

[57] **CLAIM**

The ornamental design for a tea kettle, as shown.

**DESCRIPTION**

FIG. 1 is a perspective view of a tea kettle showing my design;  
FIG. 2 is a side elevational view thereof;  
FIG. 3 is a front elevational view thereof;  
FIG. 4 is a rear elevational view thereof;  
FIG. 5 is a top plan view thereof; and,  
FIG. 6 is a bottom plan view thereof.

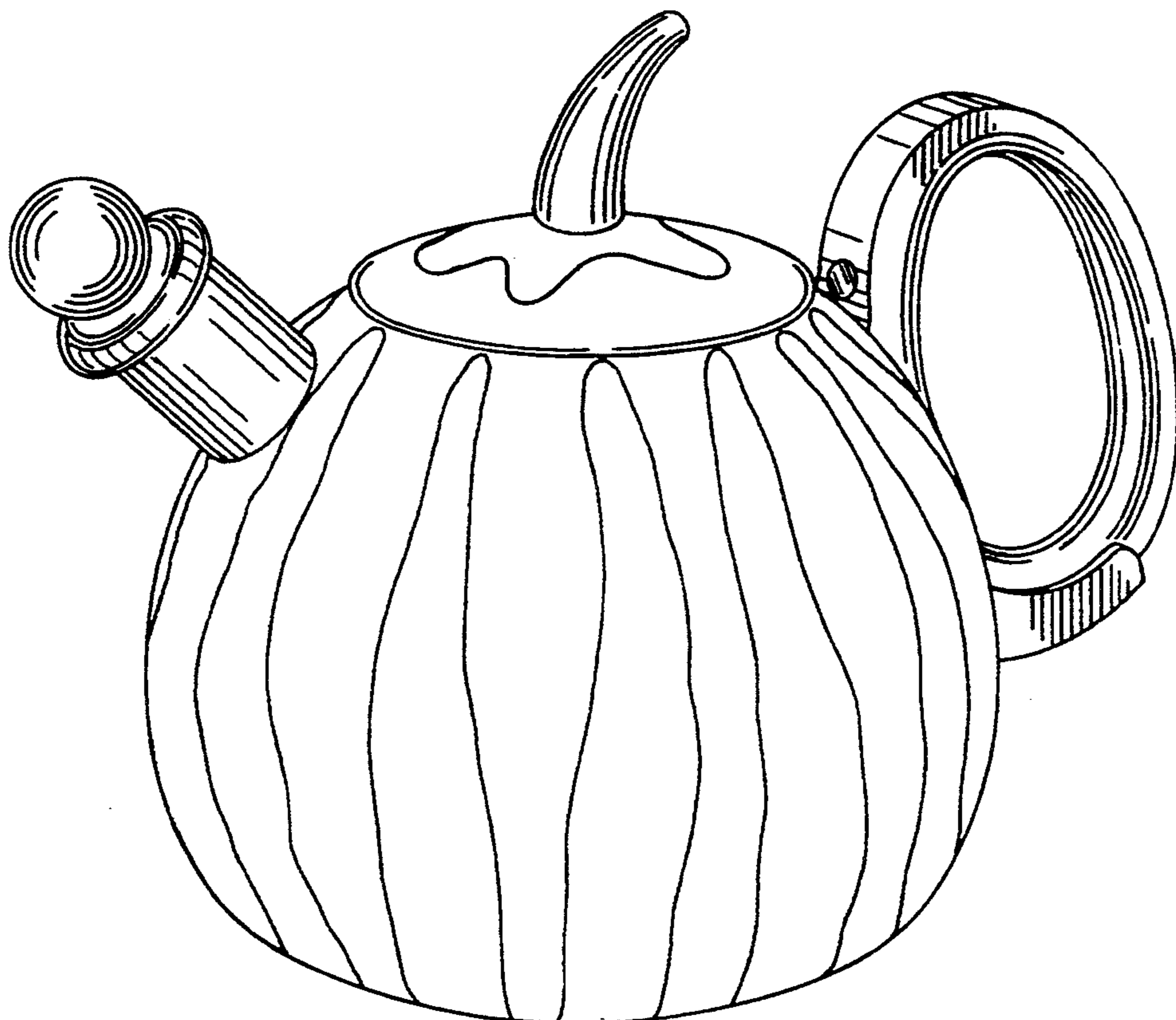


FIG. 1

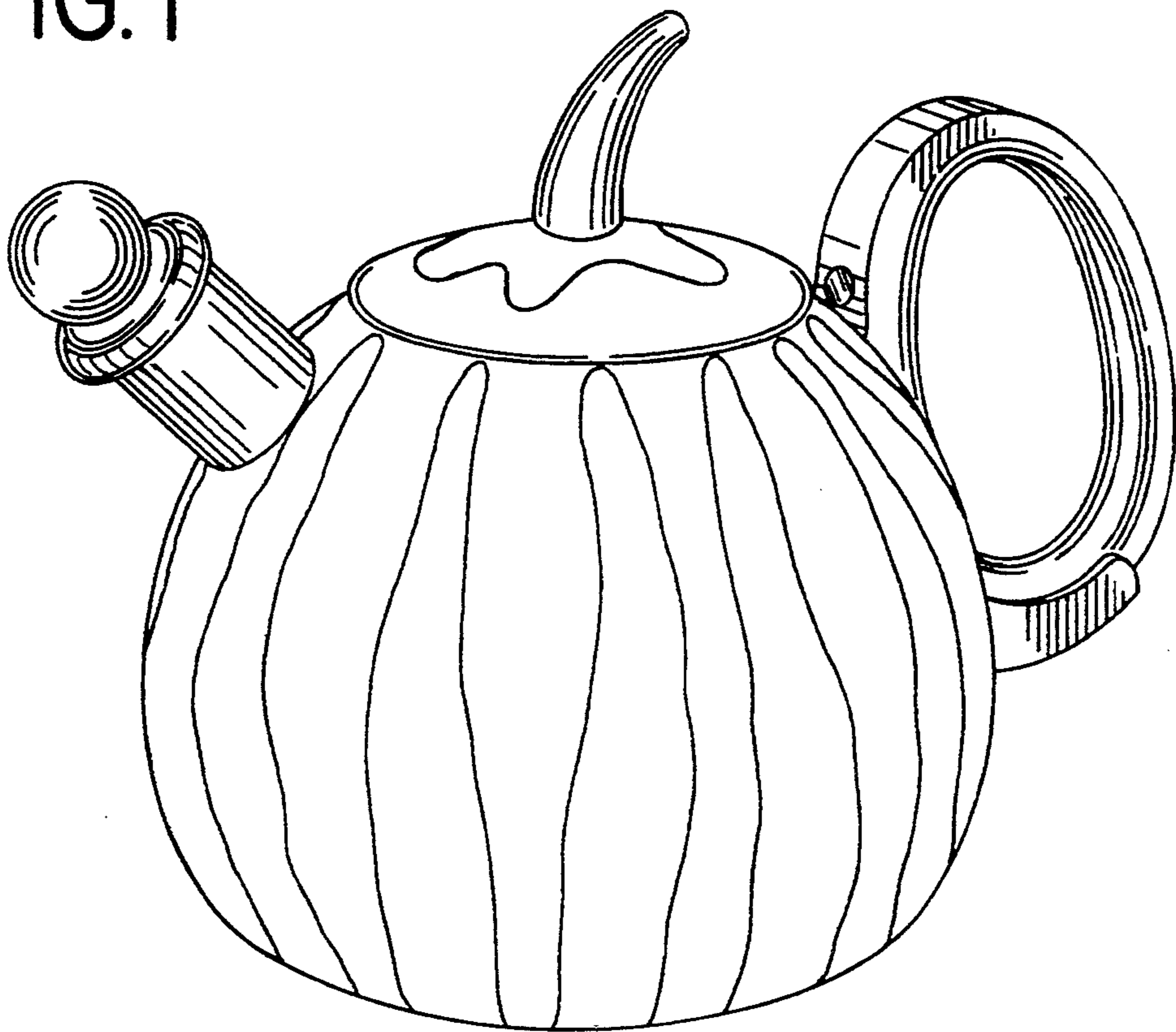


FIG. 2

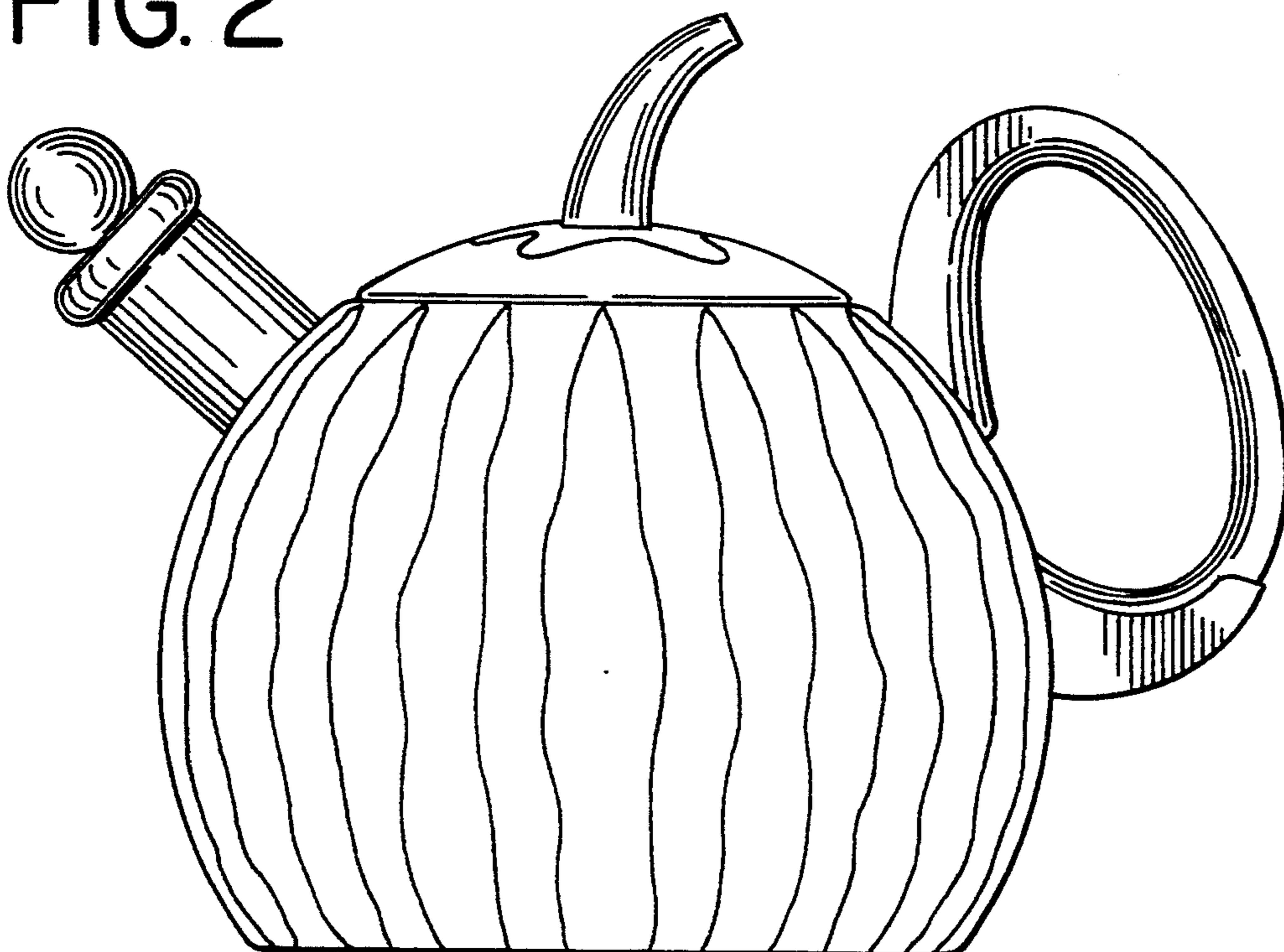


FIG. 3

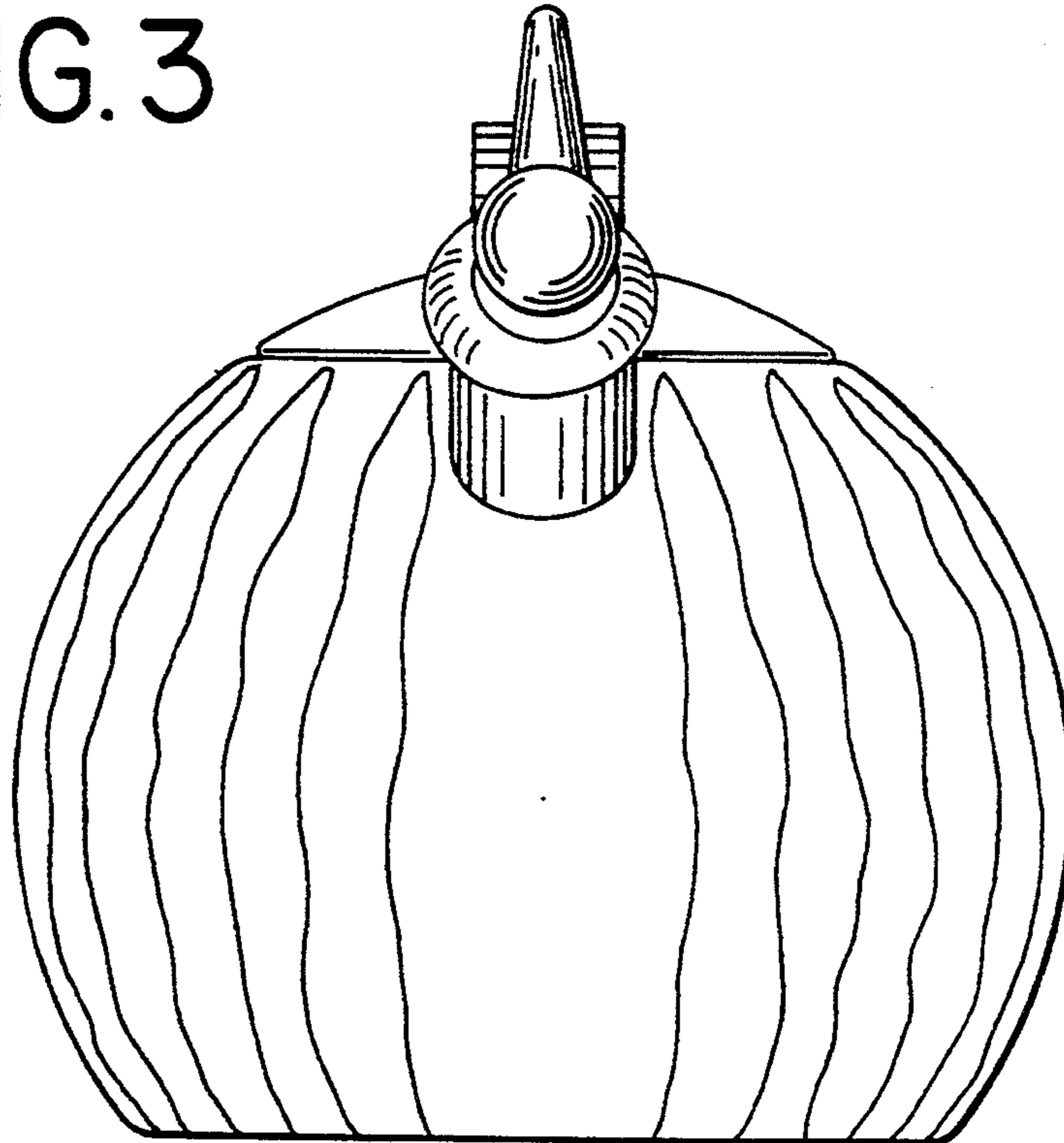


FIG. 4

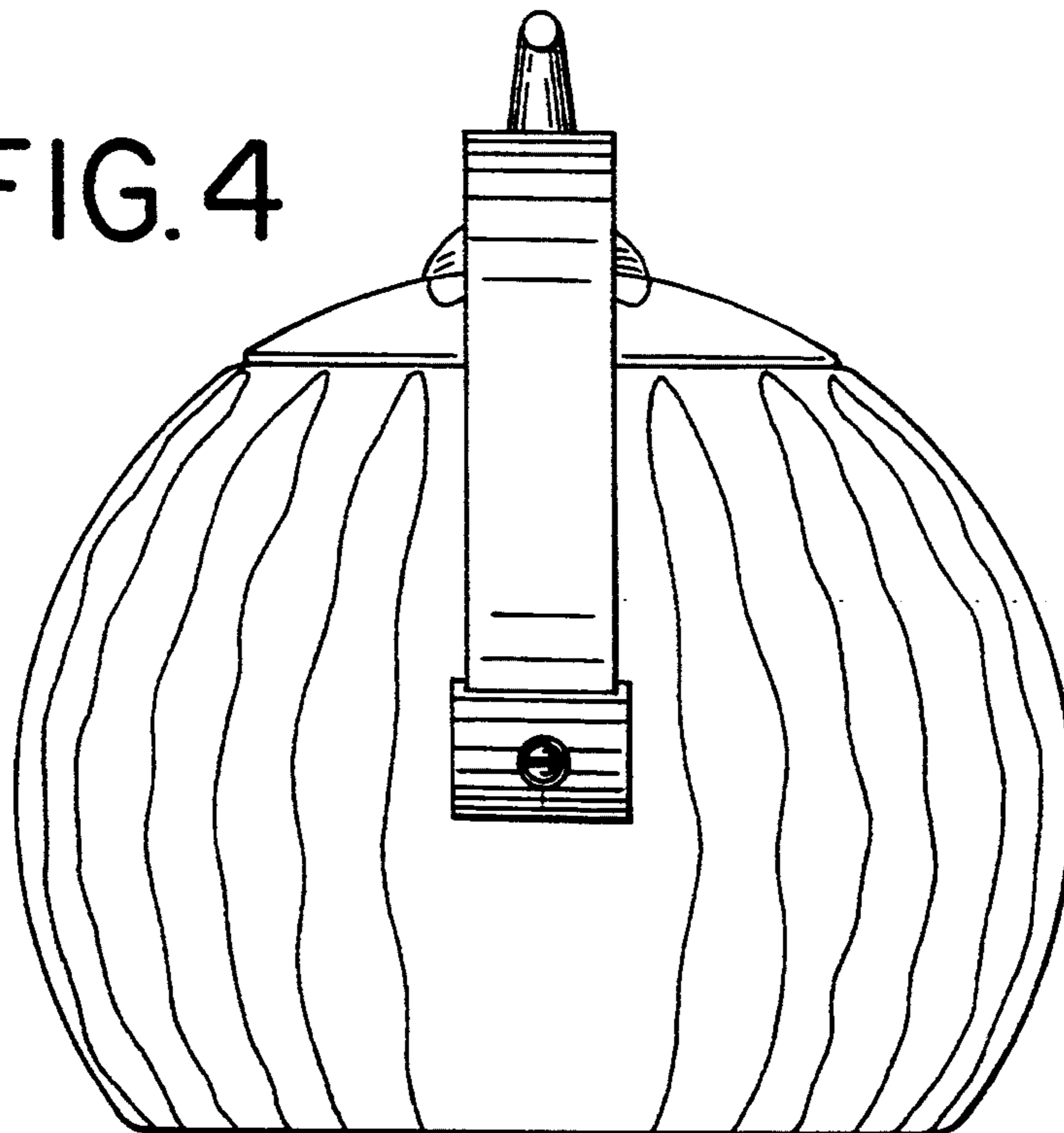


FIG. 5

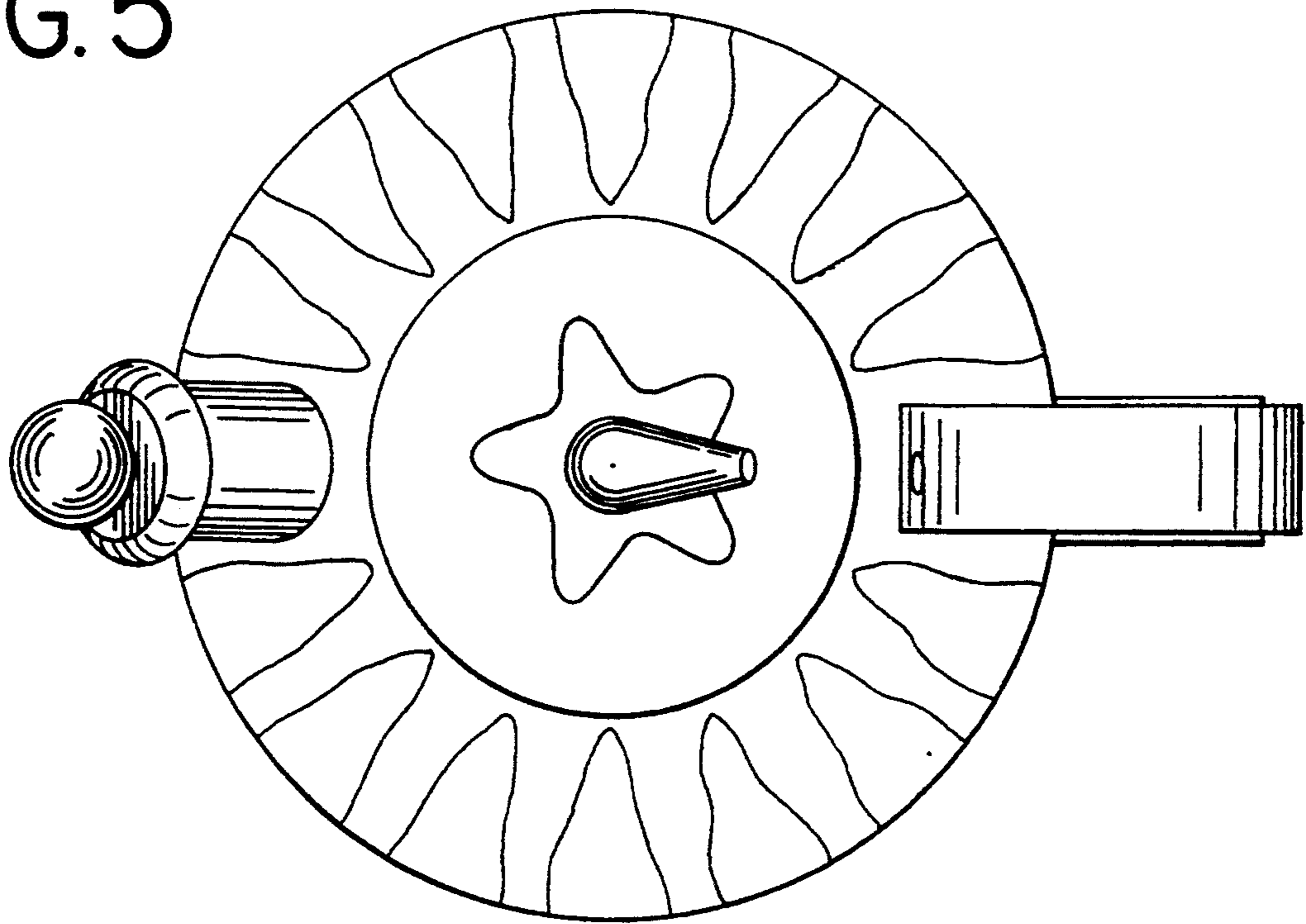


FIG. 6

