



US00D355327S

United States Patent [19]

[11] Patent Number: **Des. 355,327**

Lebowitz

[45] Date of Patent: **** Feb. 14, 1995**

[54] **TEA KETTLE**

[75] Inventor: **Sam Lebowitz, New York, N.Y.**

[73] Assignee: **Wilton Industries, Inc., Woodridge, Ill.**

[**] Term: **14 Years**

[21] Appl. No.: **2,114**

[22] Filed: **Dec. 2, 1992**

[52] U.S. Cl. **D7/302; D7/301; D9/329**

[58] Field of Search **D7/515, 518, 559, 301, D7/302, 322, 321, 313, 604, 613, 623, 539, 319, 318; D9/307, 329, 310**

[56] **References Cited**

U.S. PATENT DOCUMENTS

- D. 67,876 7/1925 Couch D9/329 X
- D. 103,029 2/1937 Buma D7/539
- D. 165,824 2/1952 Collins D7/301
- D. 193,690 9/1962 Hayes D9/329
- D. 233,413 10/1974 Pietsch D9/329
- D. 267,396 12/1982 McDuffee, Sr. et al. D9/329

- D. 287,918 1/1987 Levien D7/319
- D. 288,890 3/1987 Lebowitz D7/319
- D. 308,315 6/1990 Ancona et al. D7/321 X
- D. 333,753 3/1993 Ancona et al. D7/318 X

OTHER PUBLICATIONS

Teapot by Ernest Sohn, *The Gift and Art Buyer*, Jan. 1962, p. 48.

Pear Box, *The Horchow Collection*, Jun.-Jul. 1975.

Primary Examiner—Alan P. Douglas

Assistant Examiner—M. N. Pandozzi

Attorney, Agent, or Firm—Rockey, Rifkin & Ryther

[57] **CLAIM**

The ornamental design for a tea kettle, as shown.

DESCRIPTION

FIG. 1 is a perspective view of a tea kettle showing my design;

FIG. 2 is a side elevational view thereof;

FIG. 3 is a front elevational view thereof;

FIG. 4 is a rear elevational view thereof;

FIG. 5 is a top plan view thereof; and,

FIG. 6 is a bottom plan view thereof.

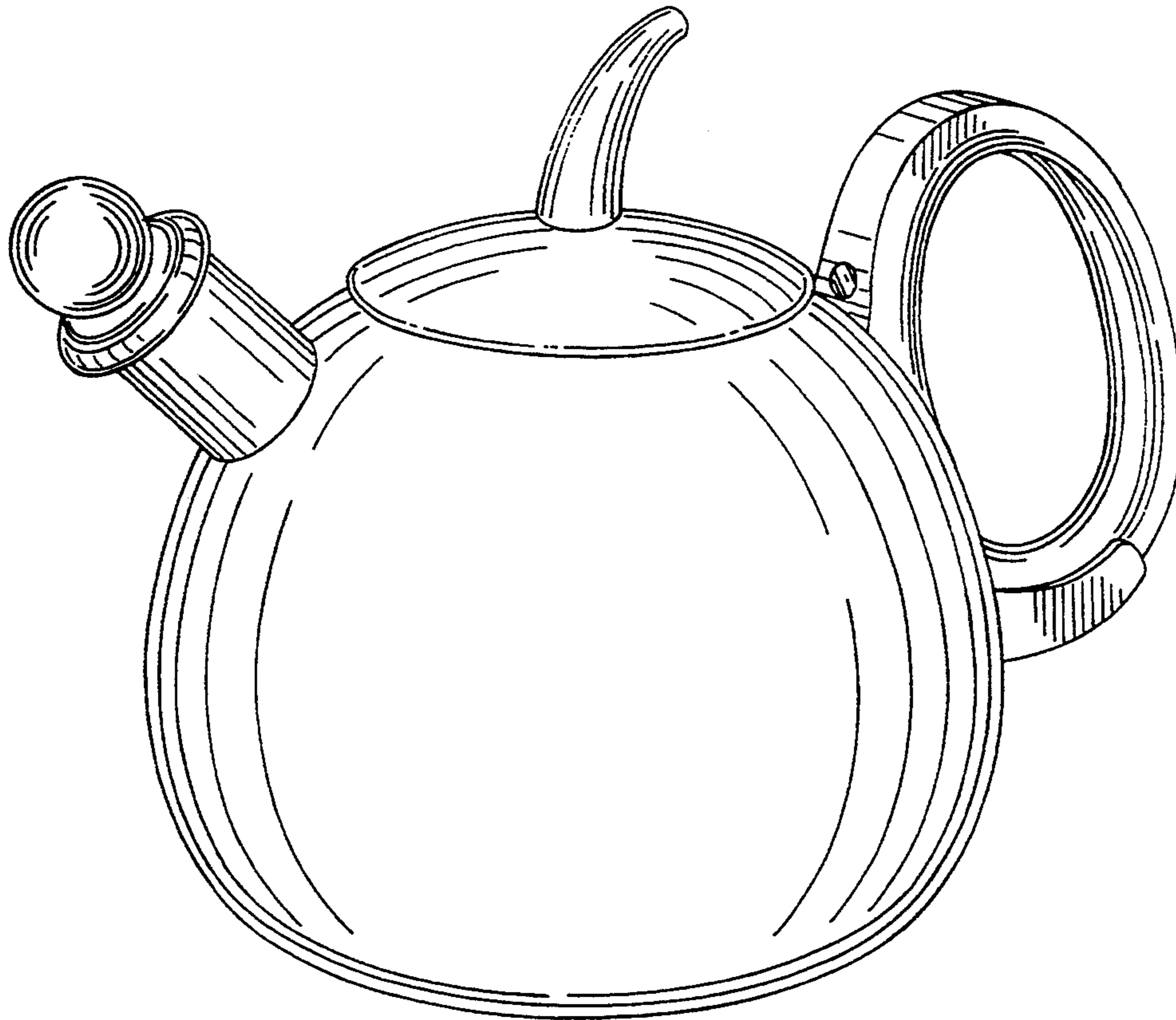


FIG. 1

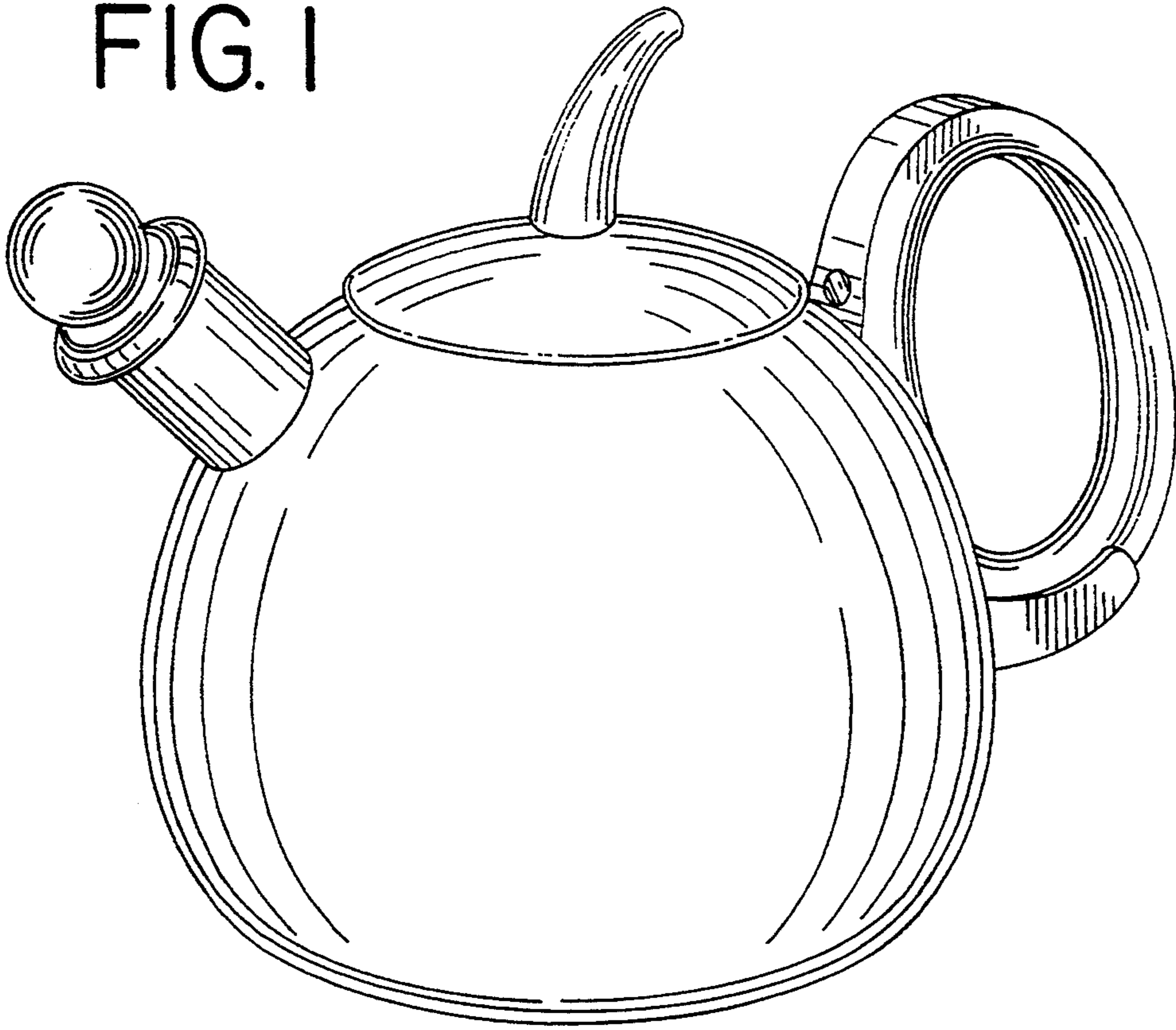


FIG. 2

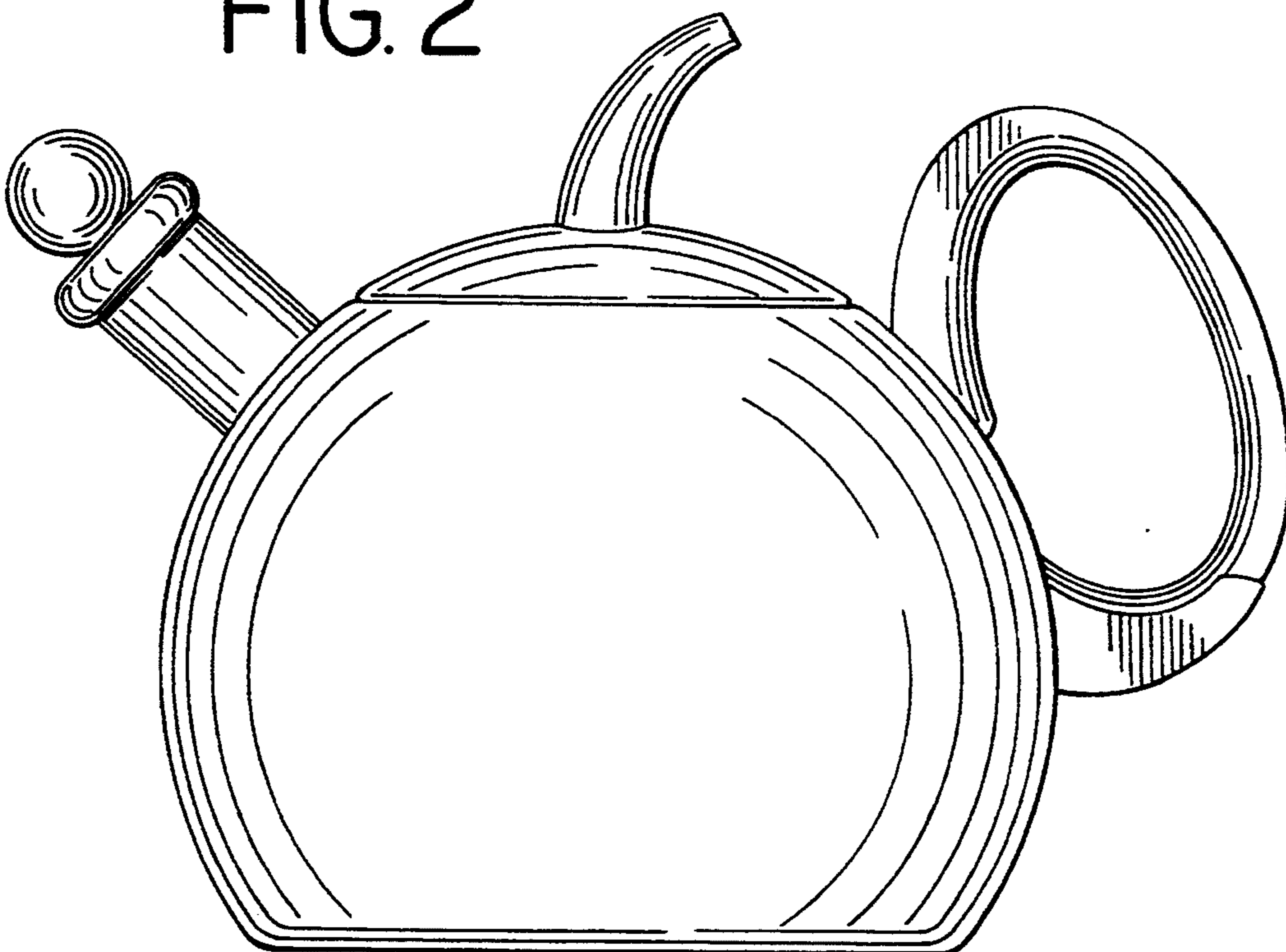


FIG. 3

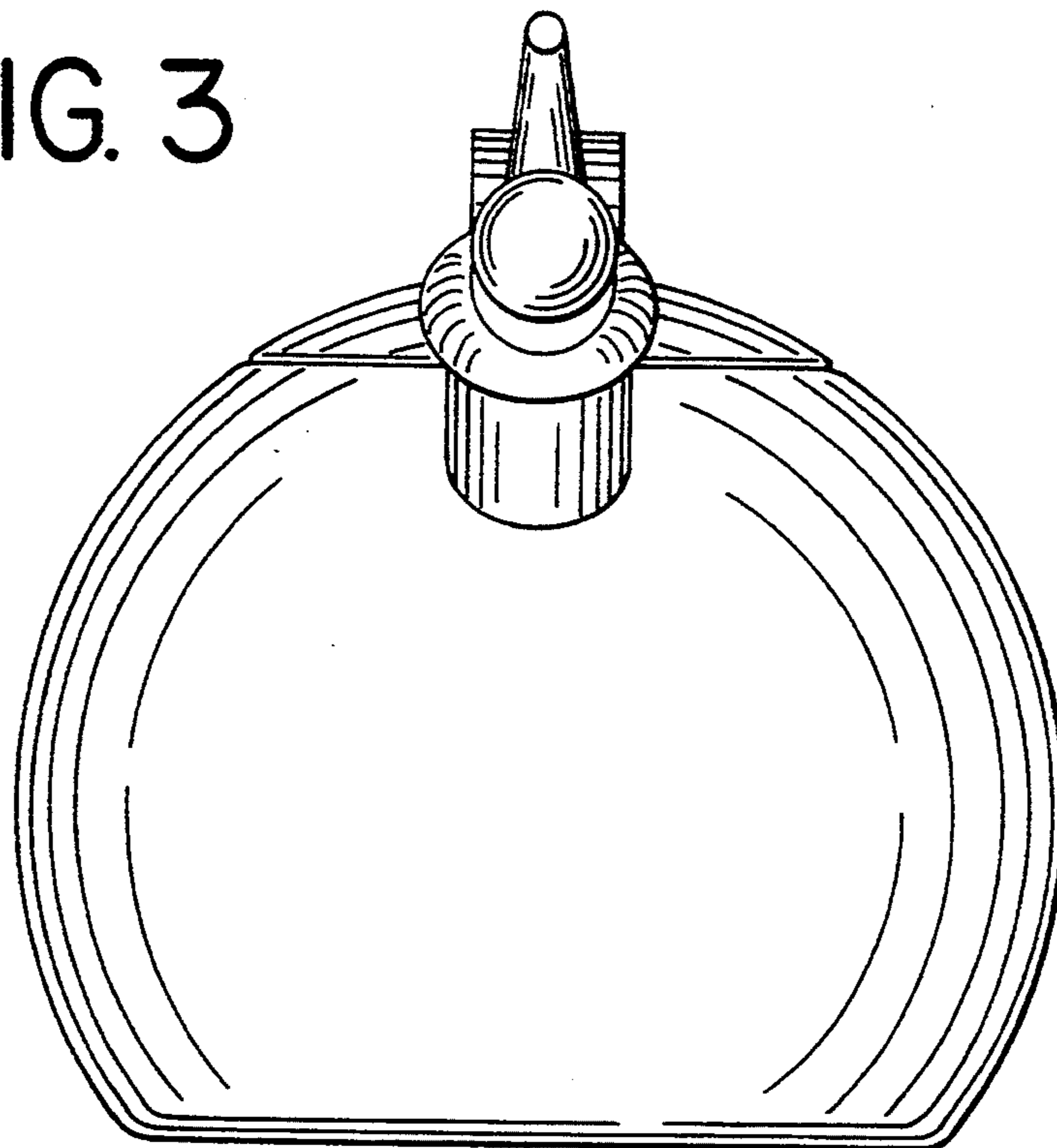


FIG. 4

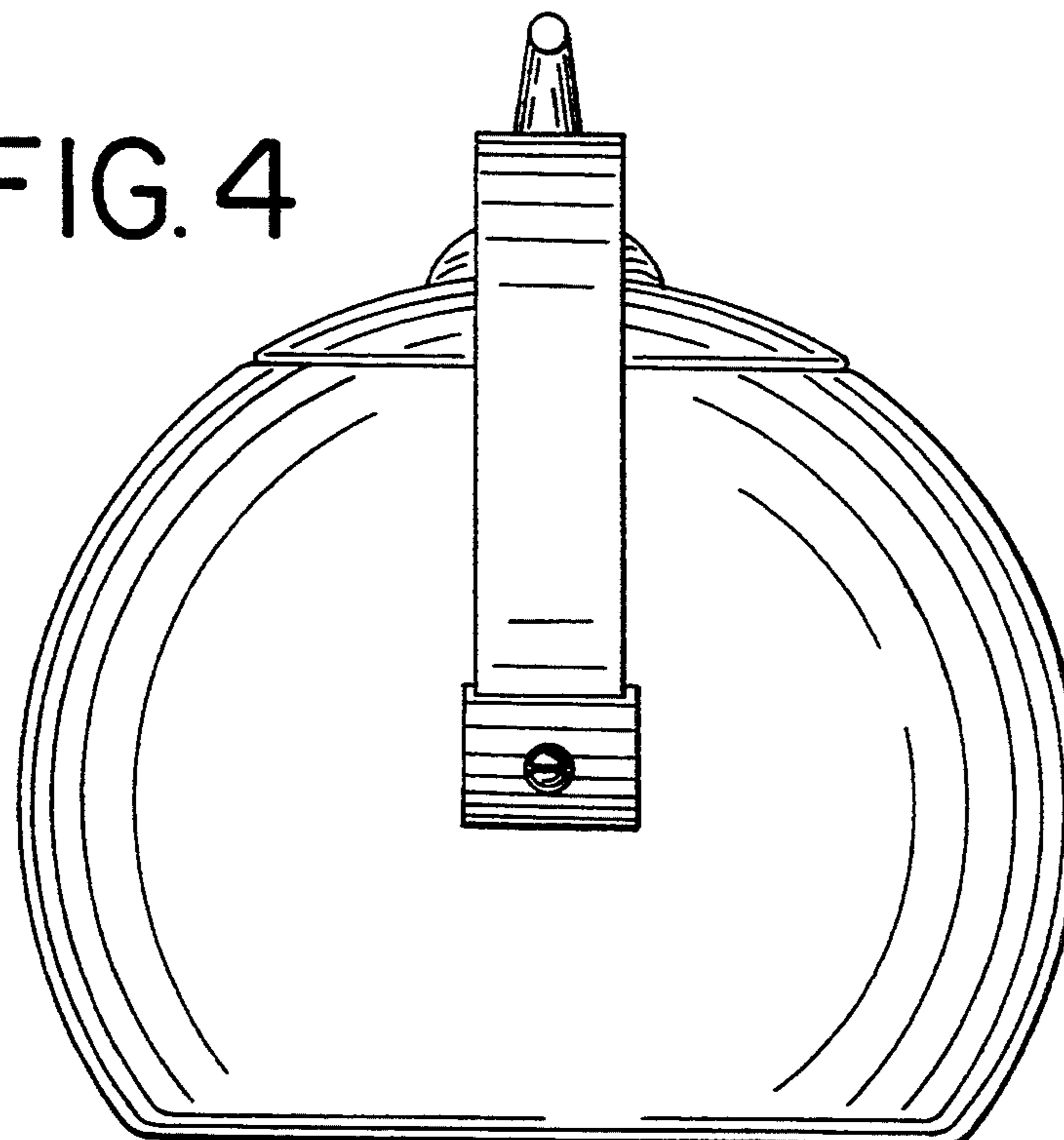


FIG. 5

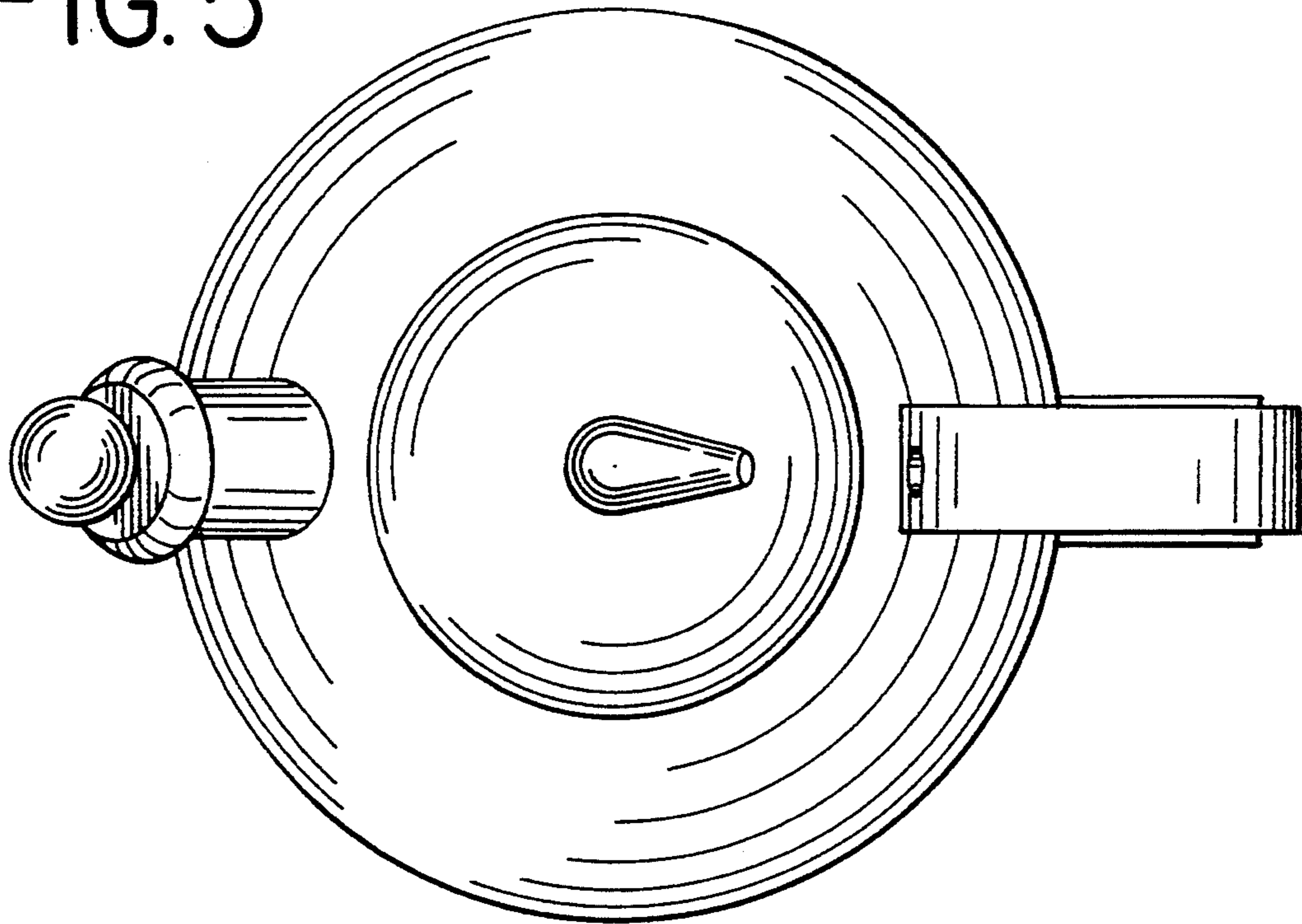


FIG. 6

