



US00D355326S

United States Patent [19]

[11] Patent Number: **Des. 355,326**

Lebowitz

[45] Date of Patent: **** Feb. 14, 1995**

[54] **TEA KETTLE**

[75] Inventor: **Sam Lebowitz**, New York, N.Y.

[73] Assignee: **Wilton Industries, Inc.**, Woodridge, Ill.

[**] Term: **14 Years**

[21] Appl. No.: **1,632**

[22] Filed: **Nov. 18, 1992**

[52] U.S. Cl. **D7/302; D7/301; D9/329**

[58] Field of Search **D7/515, 518, 559, 301, D7/303, 302, 322, 321, 313, 604, 613, 623, 539, 319, 318; D9/307, 329, 310**

[56] **References Cited**

U.S. PATENT DOCUMENTS

D. 67,876	7/1925	Couch	D9/329 X
D. 103,029	2/1937	Buma	D7/539
D. 165,824	2/1952	Collins	D7/301
D. 193,690	9/1962	Hayes	D9/329
D. 233,413	10/1974	Pietsch	D9/329
D. 267,396	12/1982	McDuffee, Sr. et al.	D9/329

D. 287,918	1/1987	Levien	D7/319
D. 288,890	3/1987	Lebowitz	D7/319
D. 308,315	6/1990	Ancona et al.	D7/321 X
D. 333,753	3/1993	Ancona et al.	D7/318 X

OTHER PUBLICATIONS

Teapot by Ernest Sohn, *The Gift and Art Buyer*, Jan. 1962, p. 48.

Pear Box, *The Horchow Collection*, Jun.-Jul. 1975.

Primary Examiner—Nelson C. Holtje

Assistant Examiner—M. N. Pandozzi

Attorney, Agent, or Firm—Rockey, Rifkin & Ryther

[57] CLAIM

The ornamental design for tea kettle, as shown.

DESCRIPTION

FIG. 1 is a perspective view of a tea kettle showing my design;

FIG. 2 is a side elevational view thereof;

FIG. 3 is a front elevational view thereof;

FIG. 4 is a rear elevational view thereof;

FIG. 5 is a top plan view thereof; and,

FIG. 6 is a bottom plan view thereof.

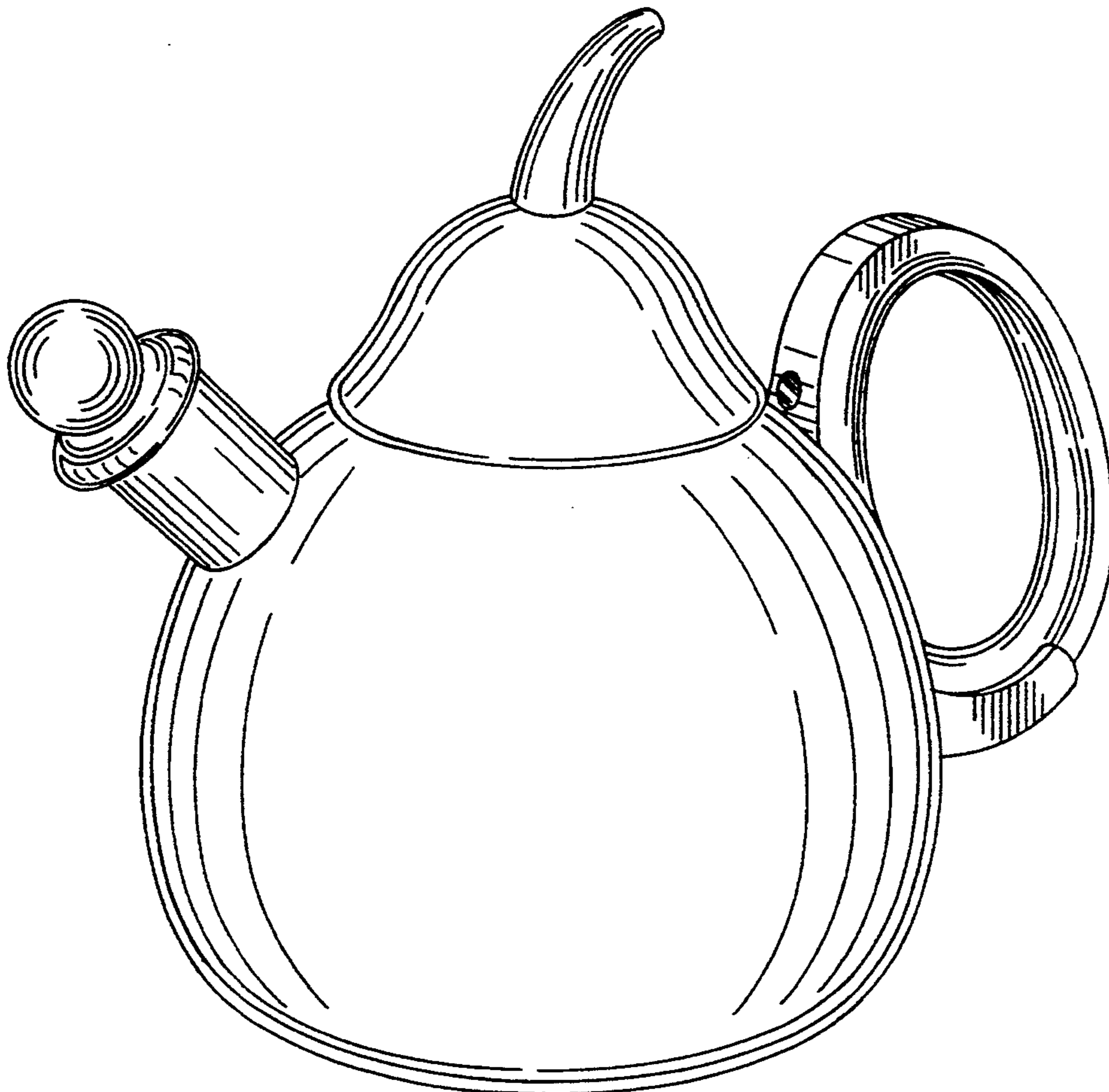


FIG. 1

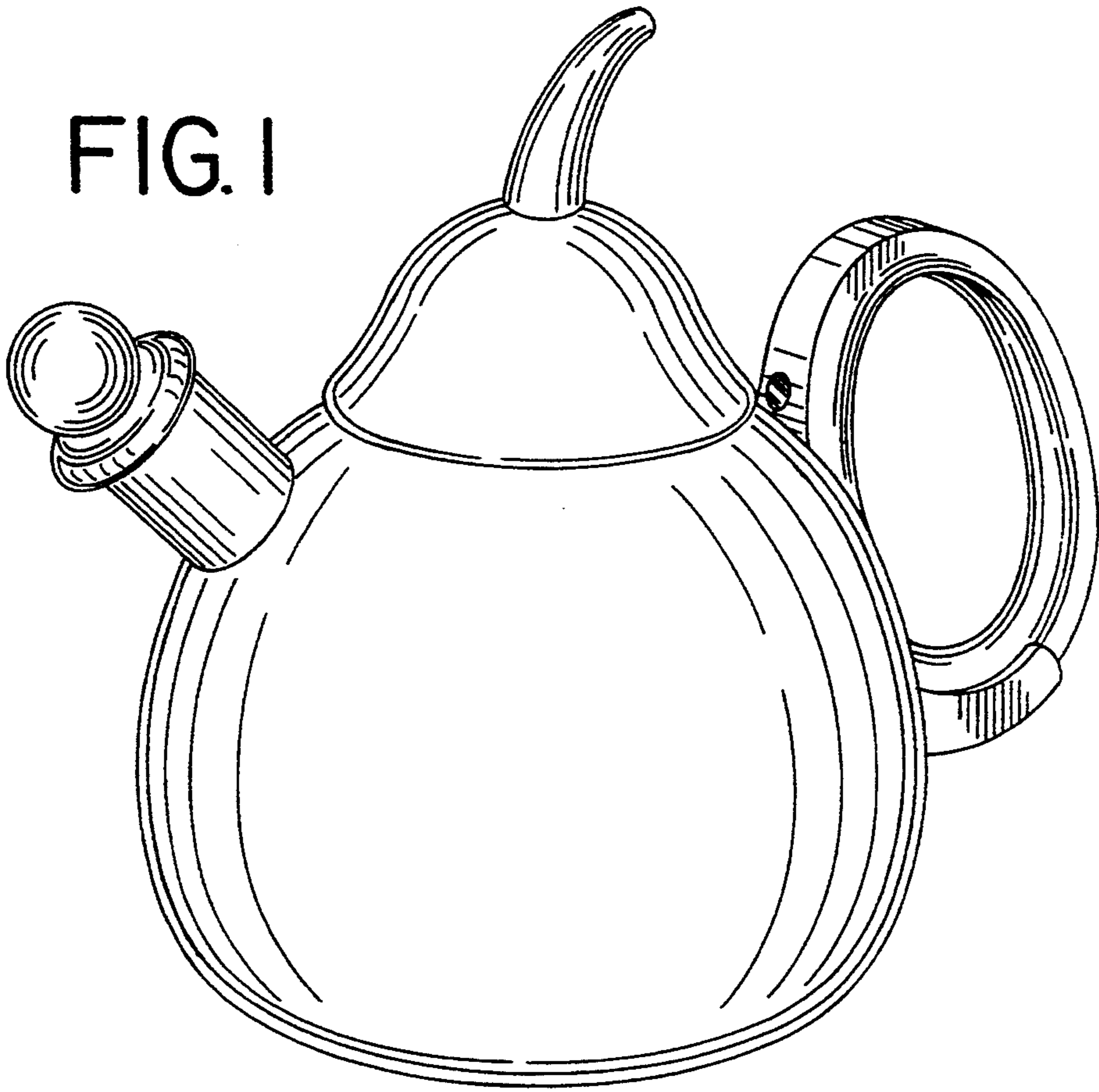


FIG. 2

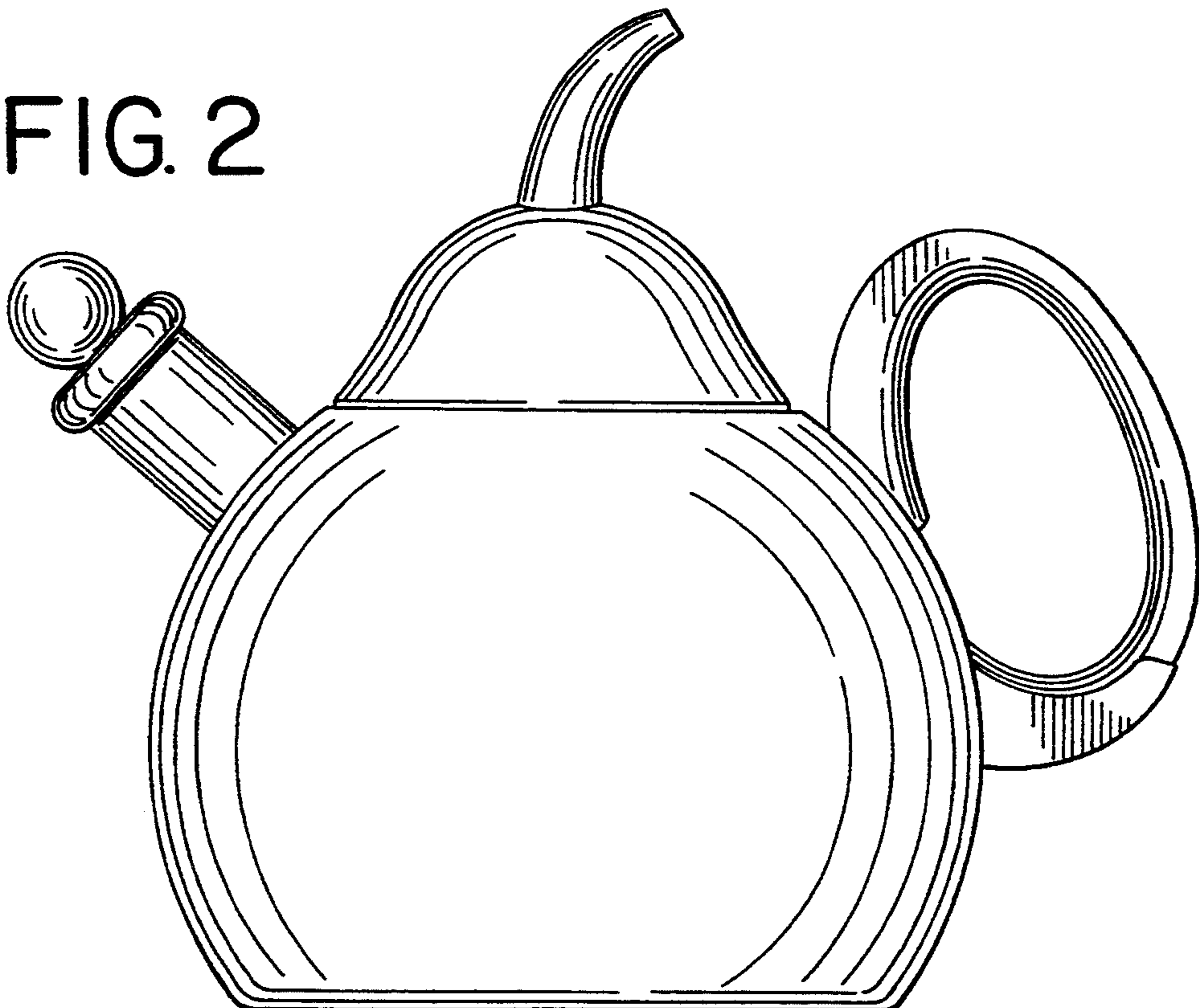


FIG. 3

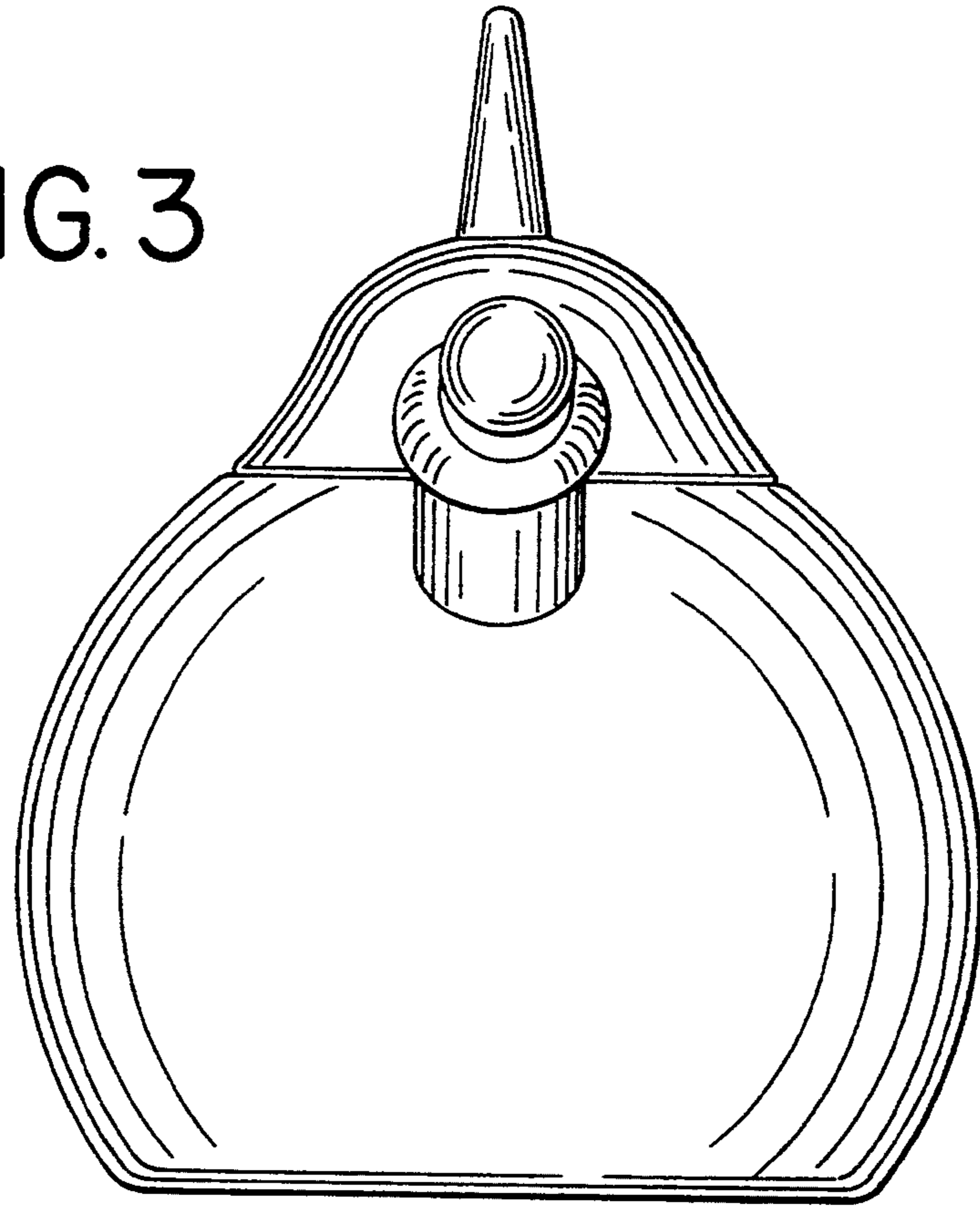


FIG. 4

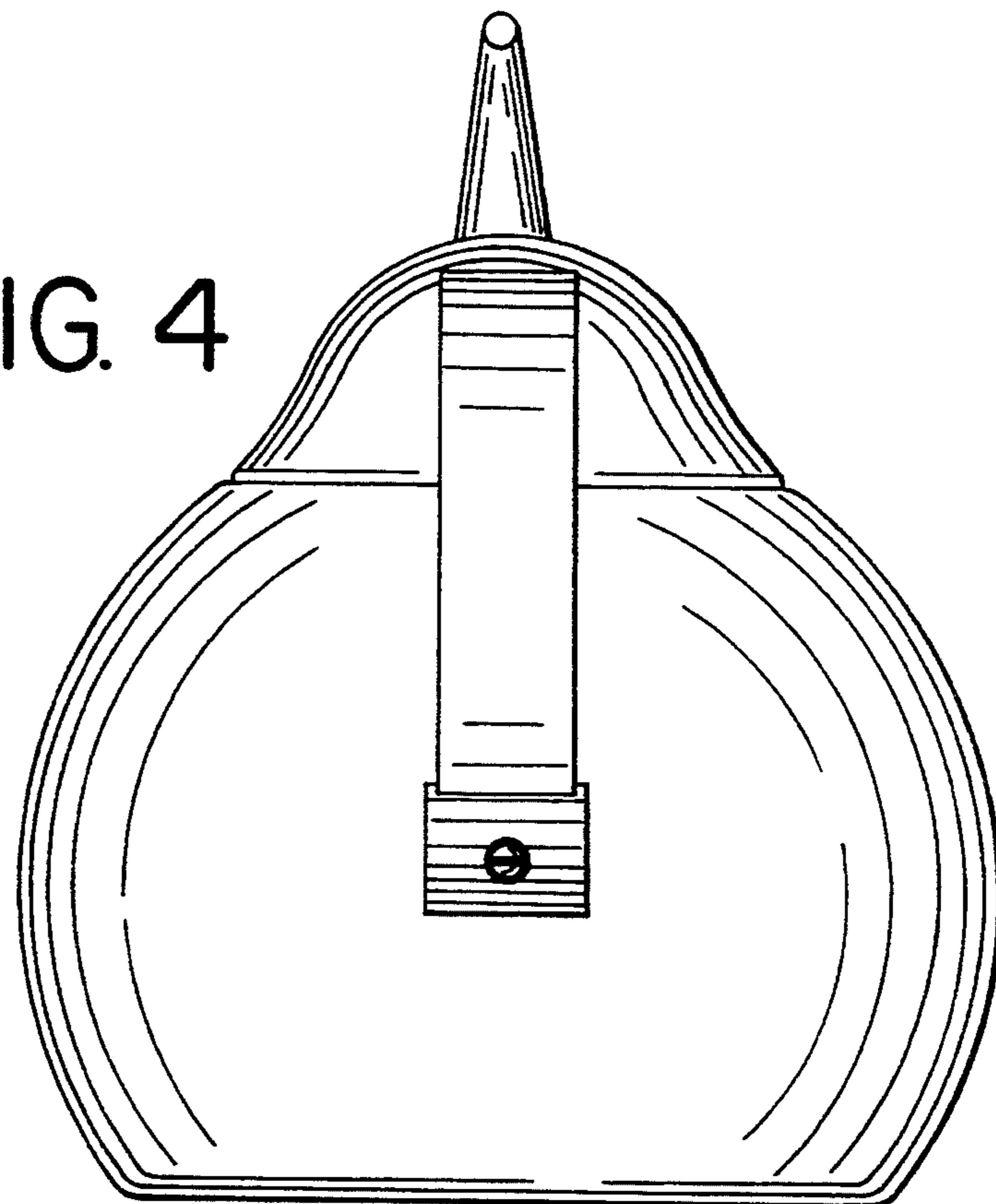


FIG. 5

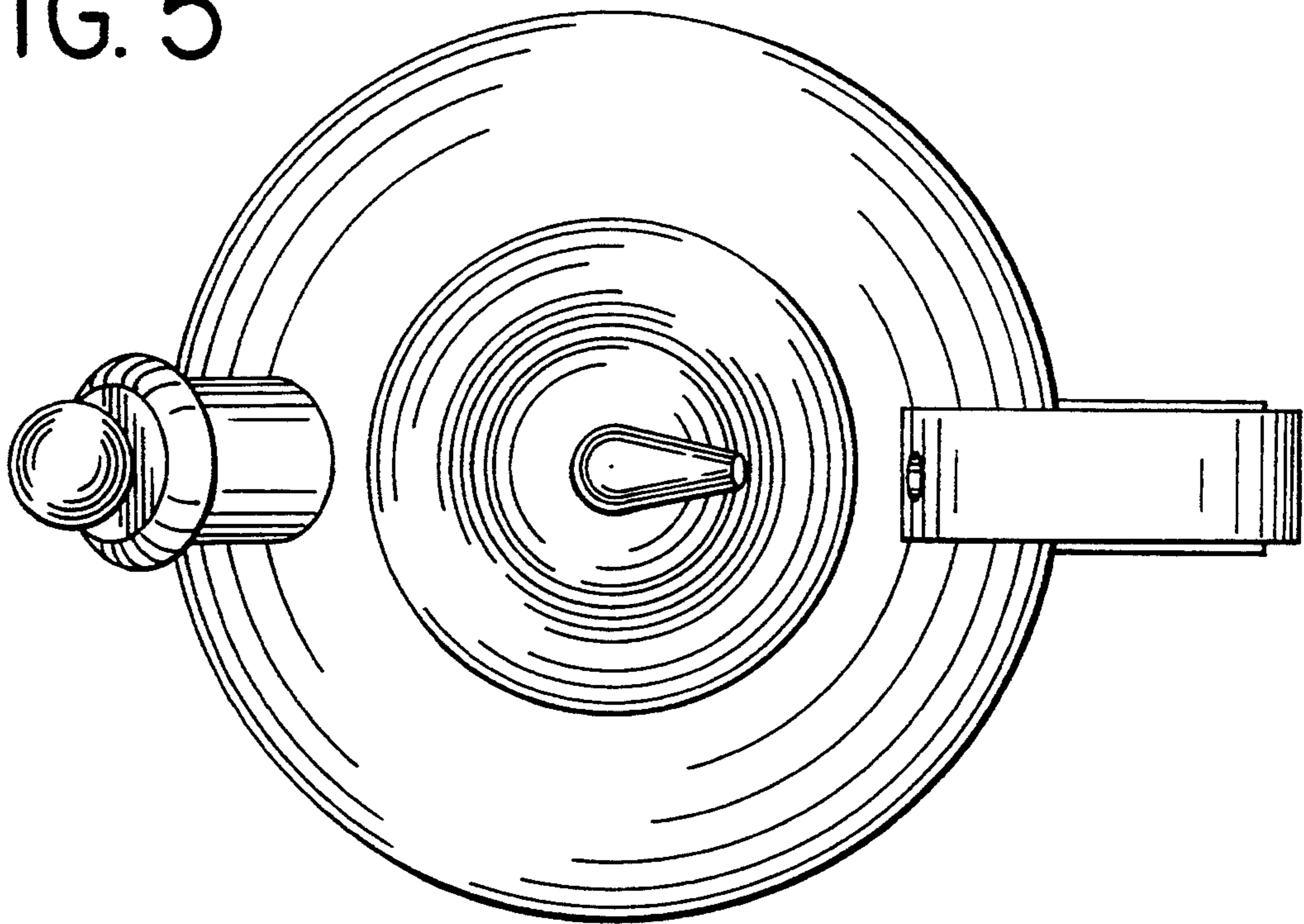


FIG. 6

