



US00D355324S

**United States Patent** [19]  
**Lebowitz**

[11] **Patent Number: Des. 355,324**

[45] **Date of Patent: \*\* Feb. 14, 1995**

[54] **TEA KETTLE**

[75] **Inventor: Sam Lebowitz, New York, N.Y.**

[73] **Assignee: Wilton Industries, Inc., Woodridge, Ill.**

[\*\*] **Term: 14 Years**

[21] **Appl. No.: 1,618**

[22] **Filed: Nov. 18, 1992**

[52] **U.S. Cl. .... D7/302; D7/301; D7/321**

[58] **Field of Search ..... D7/515, 318, 518, 559, D7/301, 302, 322, 321, 318, 312, 313, 604, 613, 623, 539, 319; D9/307, 329, 310**

[56] **References Cited**

**U.S. PATENT DOCUMENTS**

D. 67,876	7/1925	Couch .....	D9/329 X
D. 103,029	2/1937	Buma .....	D7/539
D. 165,824	2/1952	Collins .....	D7/301
D. 193,690	9/1962	Hayes .....	D9/329
D. 233,413	10/1974	Pietsch .....	D9/329
D. 267,396	12/1982	McDuffee, Sr. et al. ....	D9/329

D. 287,918	1/1987	Levien .....	D7/319
D. 288,890	3/1987	Lebowitz .....	D7/319
D. 308,315	6/1990	Ancawa et al. ....	D7/321 X
D. 333,753	3/1993	Ancawa et al. ....	D7/318 X

**OTHER PUBLICATIONS**

Teapot by Ernest John, *The Gift and Art Buyer* Jan. 1962 p. 48.

Pear Box, *The Horchow Collection* Jun.-Jul. 1975.

*Primary Examiner*—Alan P. Douglas

*Assistant Examiner*—M. N. Pandozzi

*Attorney, Agent, or Firm*—Rockey, Rifkin & Ryther

[57] **CLAIM**

The ornamental design for tea kettle, as shown.

**DESCRIPTION**

FIG. 1 is a perspective view of a tea kettle showing my design;

FIG. 2 is a side elevational view thereof;

FIG. 3 is a front elevational view thereof;

FIG. 4 is a rear elevational view thereof;

FIG. 5 is a top plan view thereof; and,

FIG. 6 is a bottom plan view thereof.

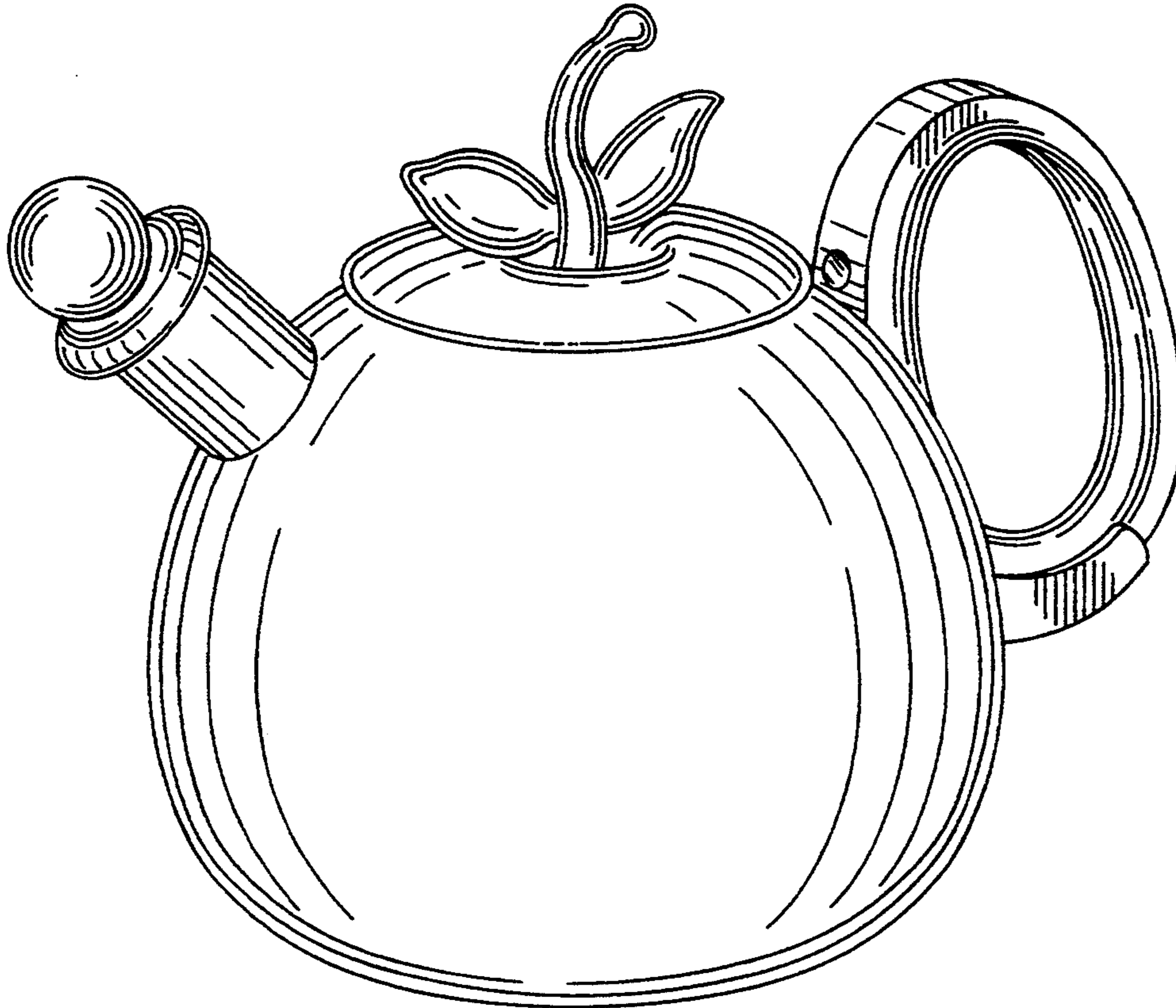


FIG. 1

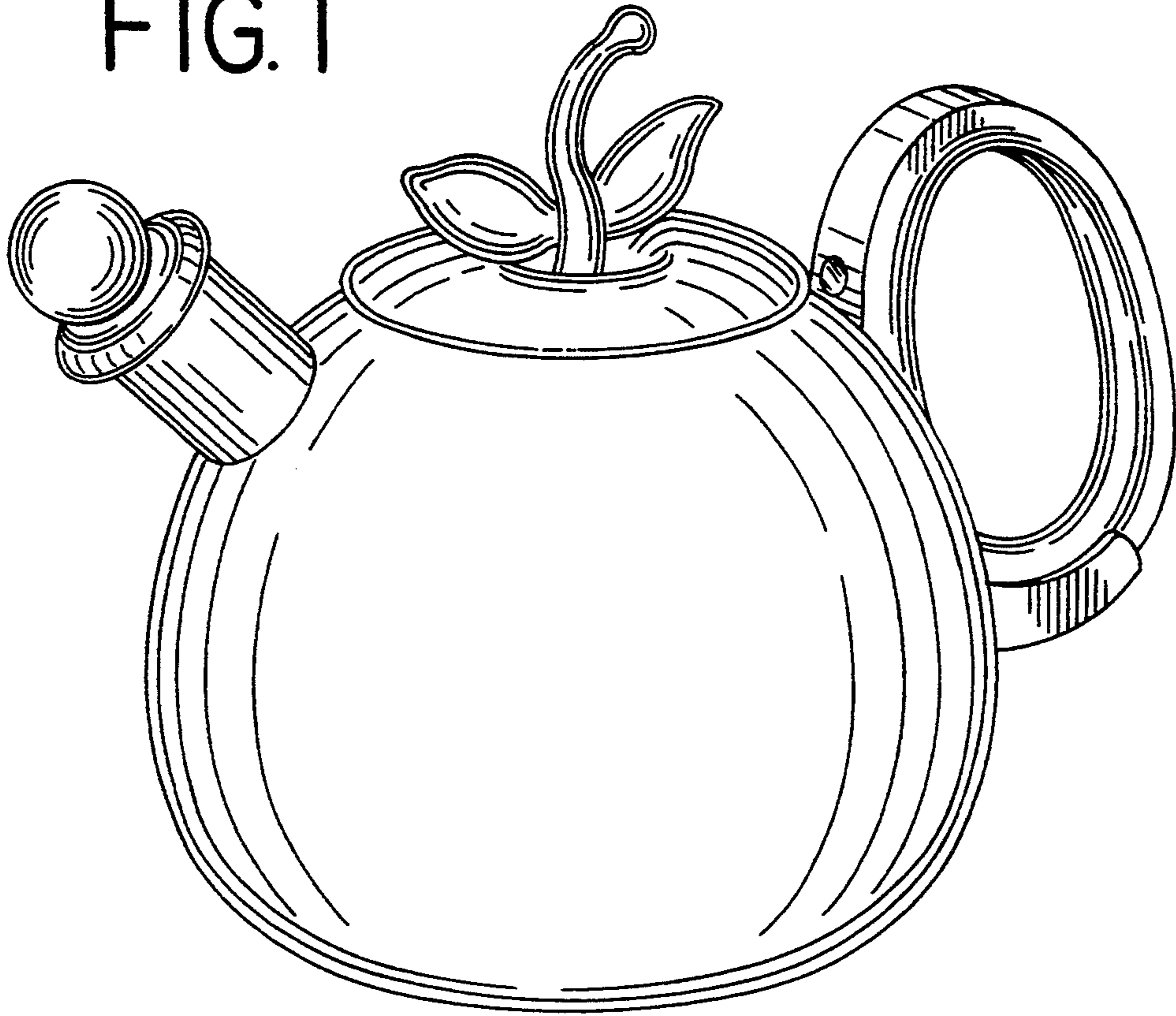


FIG. 2

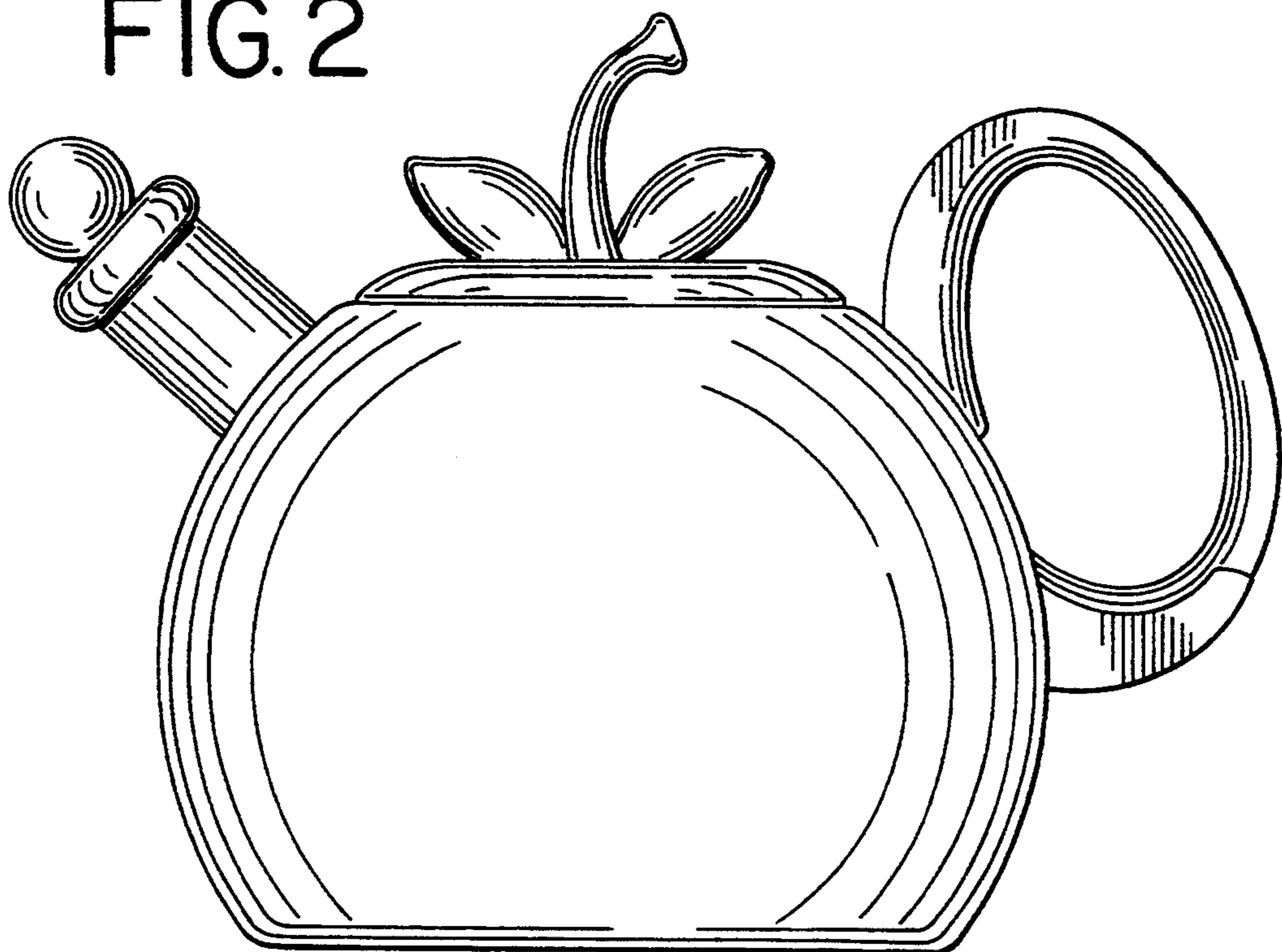


FIG. 3

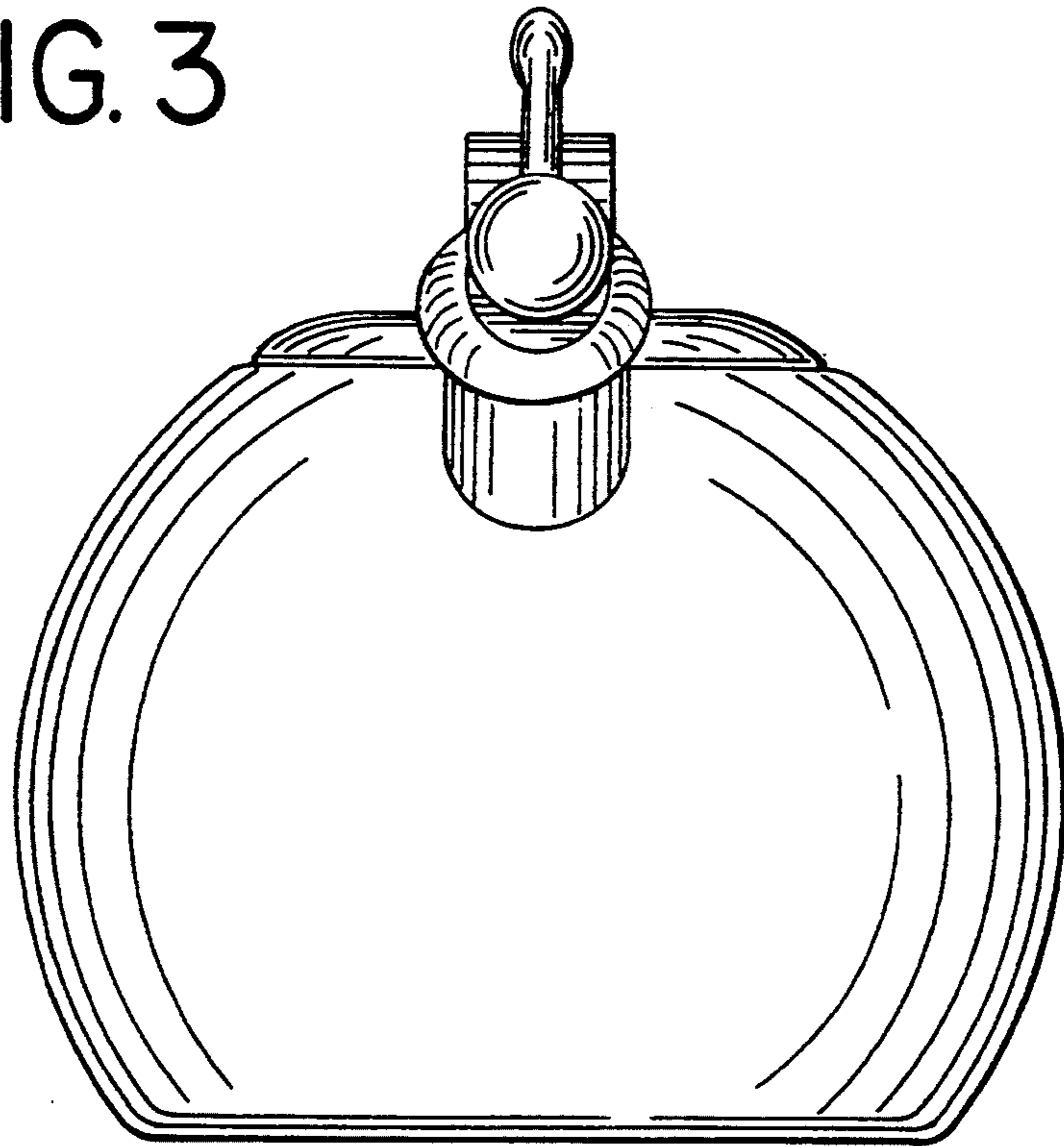


FIG. 4

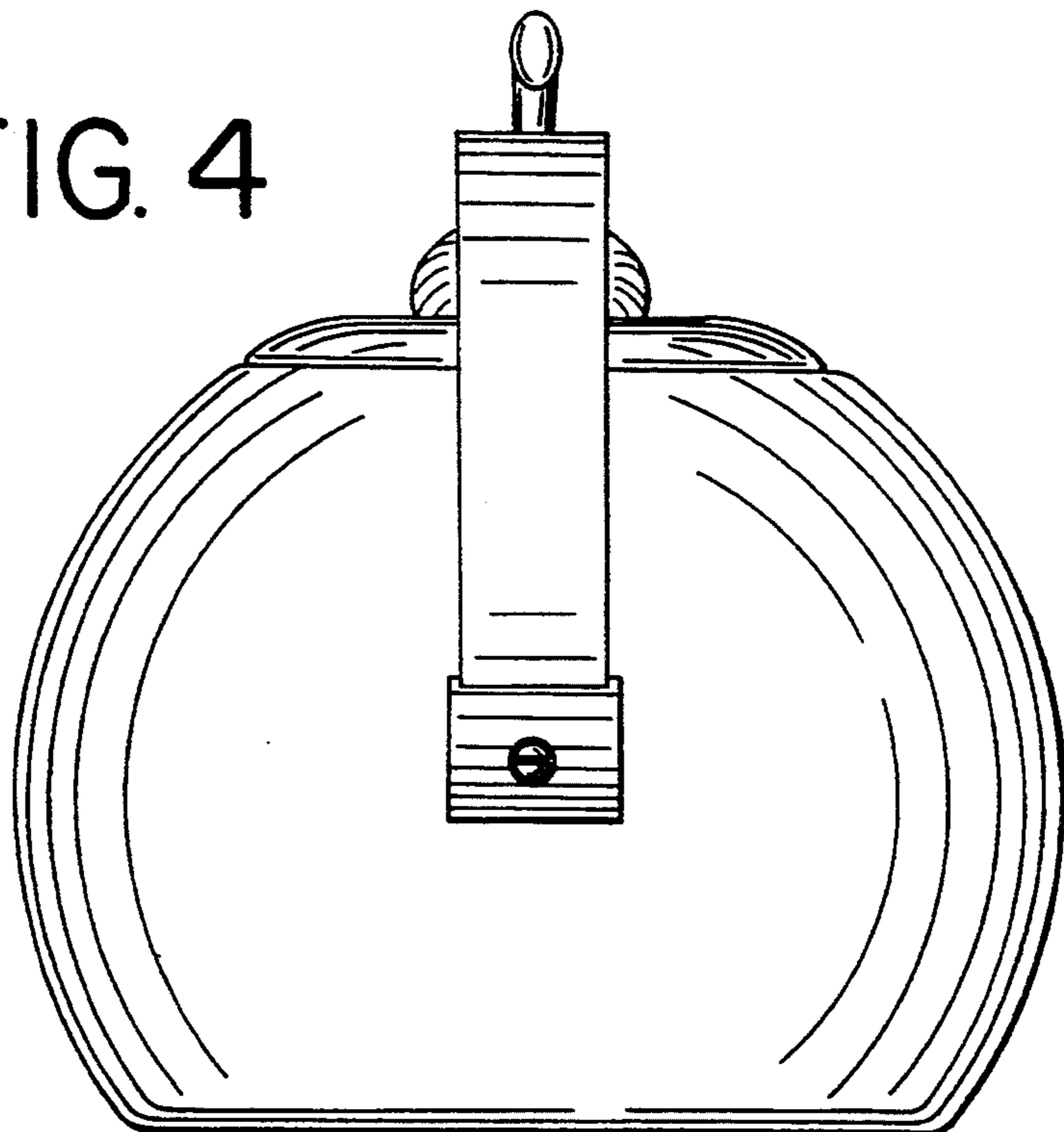




FIG. 5

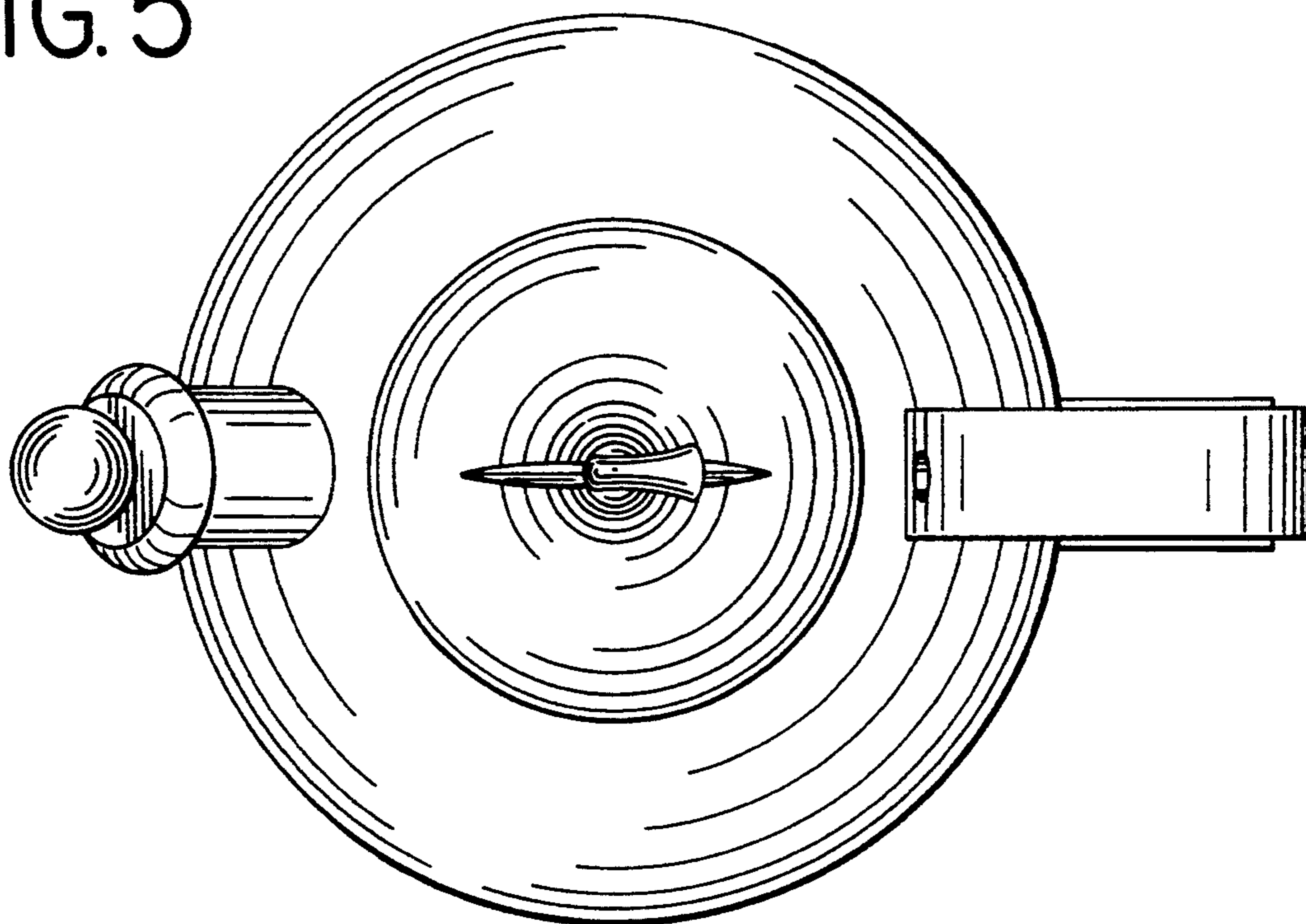


FIG. 6

