



US00D355319S

United States Patent [19]

[11] Patent Number: **Des. 355,319**

Ng

[45] Date of Patent: **** Feb. 14, 1995**

[54] **SPINDLE FOR A TOILET ROLL HOLDER**

[75] Inventor: **Roger T. Ng, Central, Hong Kong**

[73] Assignee: **Stace Industries, Ltd., Hong Kong**

[**] Term: **14 Years**

[21] Appl. No.: **14,619**

[22] Filed: **Oct. 27, 1993**

[30] **Foreign Application Priority Data**

Apr. 29, 1993 [GB] United Kingdom 2030766

[52] U.S. Cl. **D6/523**

[58] Field of Search D6/515-523;
242/55.2, 55.53

[56] **References Cited**

U.S. PATENT DOCUMENTS

D. 215,945 11/1969 LaFara D6/518

D. 296,963 8/1988 Smallwood D6/523

D. 324,618 3/1992 Morand D6/523
4,191,342 3/1980 Reinhold 242/55.2
4,212,434 7/1980 Walker 242/55.2

Primary Examiner—Brian N. Vinson

Attorney, Agent, or Firm—Samuels, Gauthier & Stevens

[57] **CLAIM**

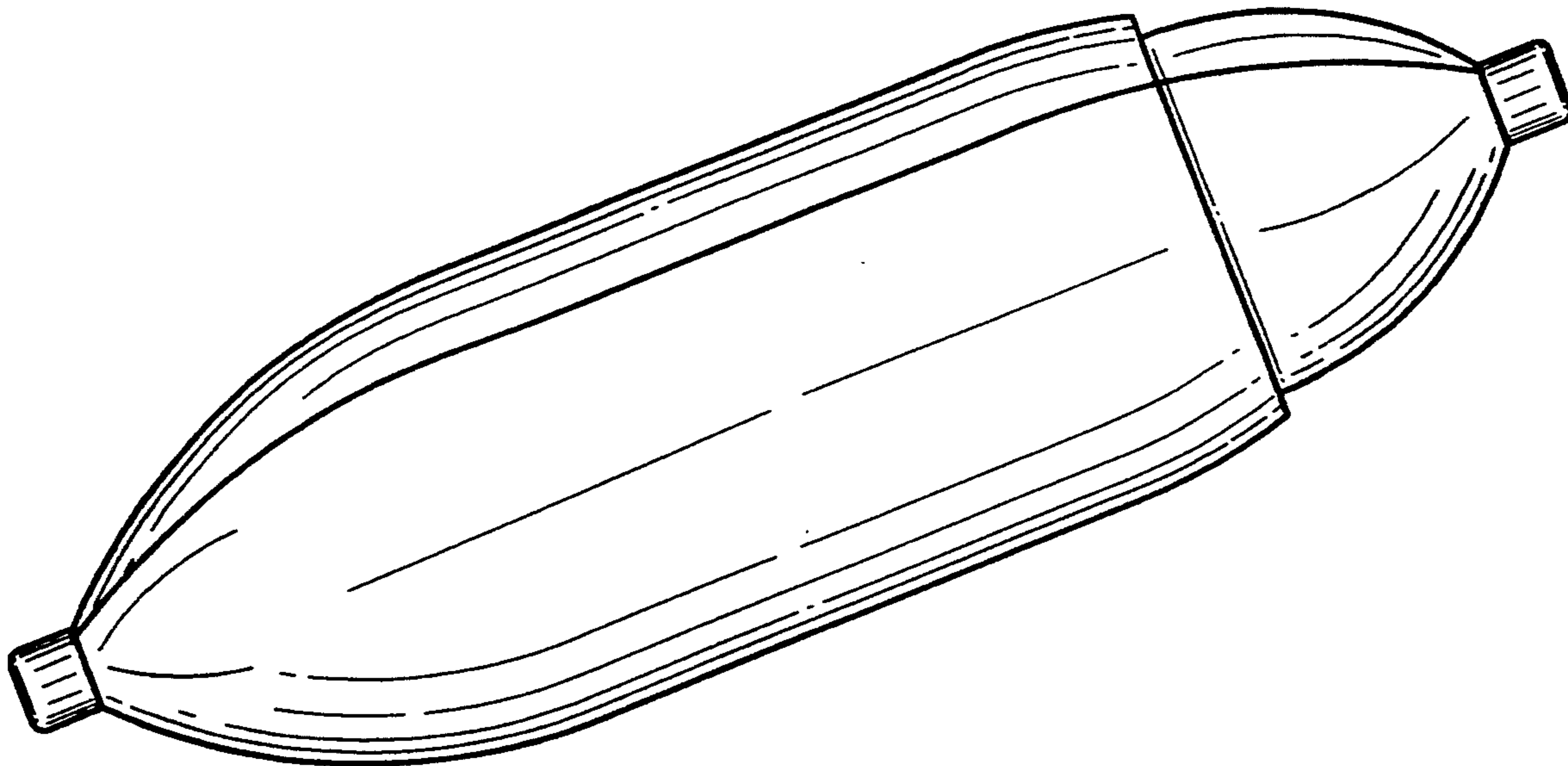
The ornamental design for a spindle for a toilet roll holder, as shown and described.

DESCRIPTION

FIG. 1 is a perspective view of a spindle for a toilet roll holder showing my new design;

FIG. 2 is a front elevational view thereof, the rear being identical in appearance, and the top and bottom being identical in appearance except for the lack of a seam across the article;

FIG. 3 is an enlarged end elevational view thereof; and, FIG. 4 is an enlarged opposite end elevational view thereof.



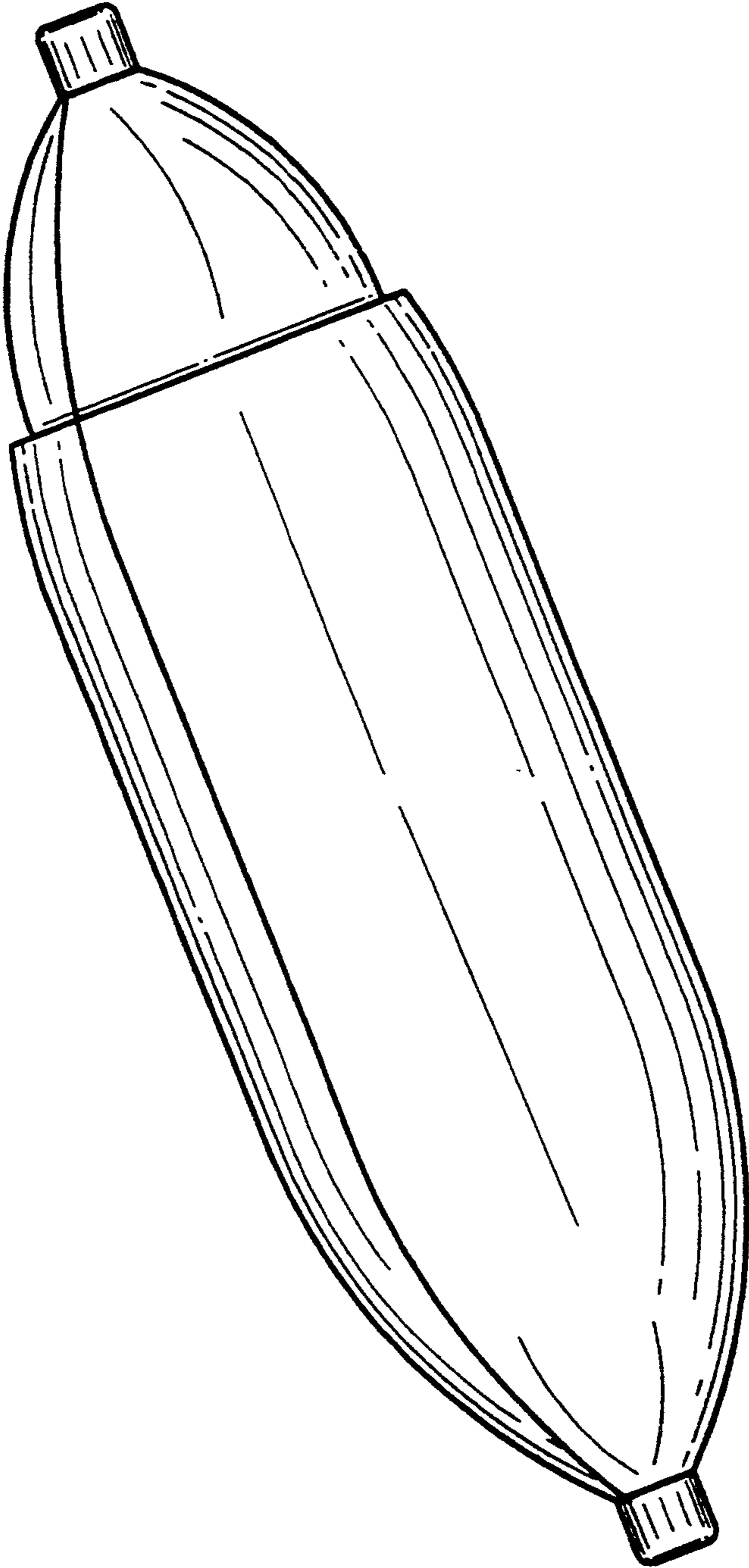


FIG. 1

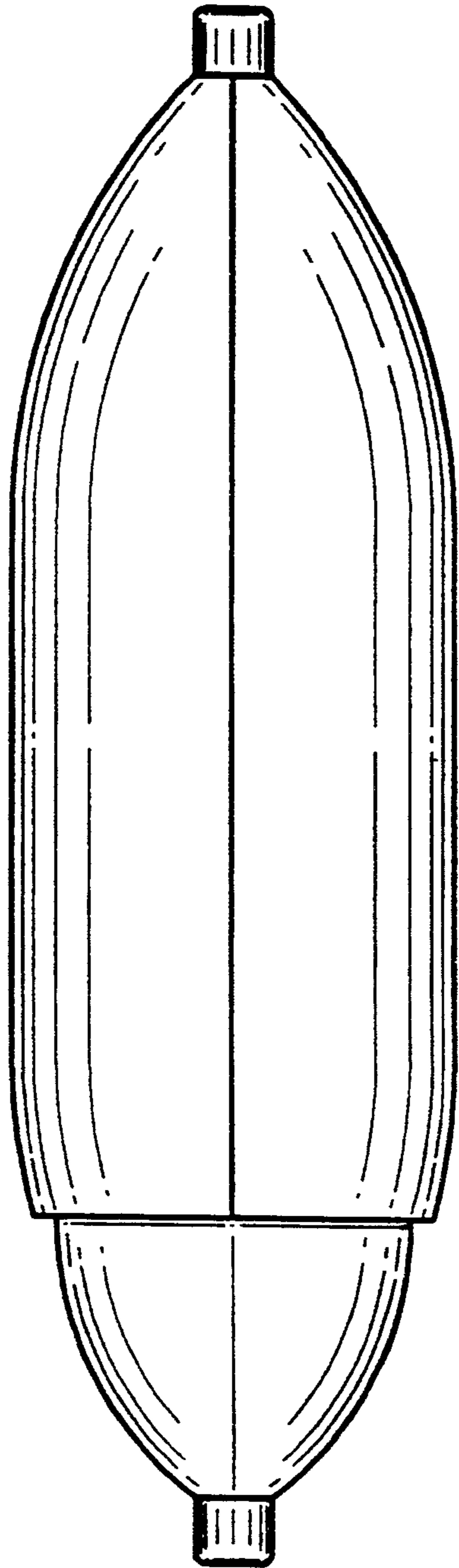


FIG. 2

FIG. 3

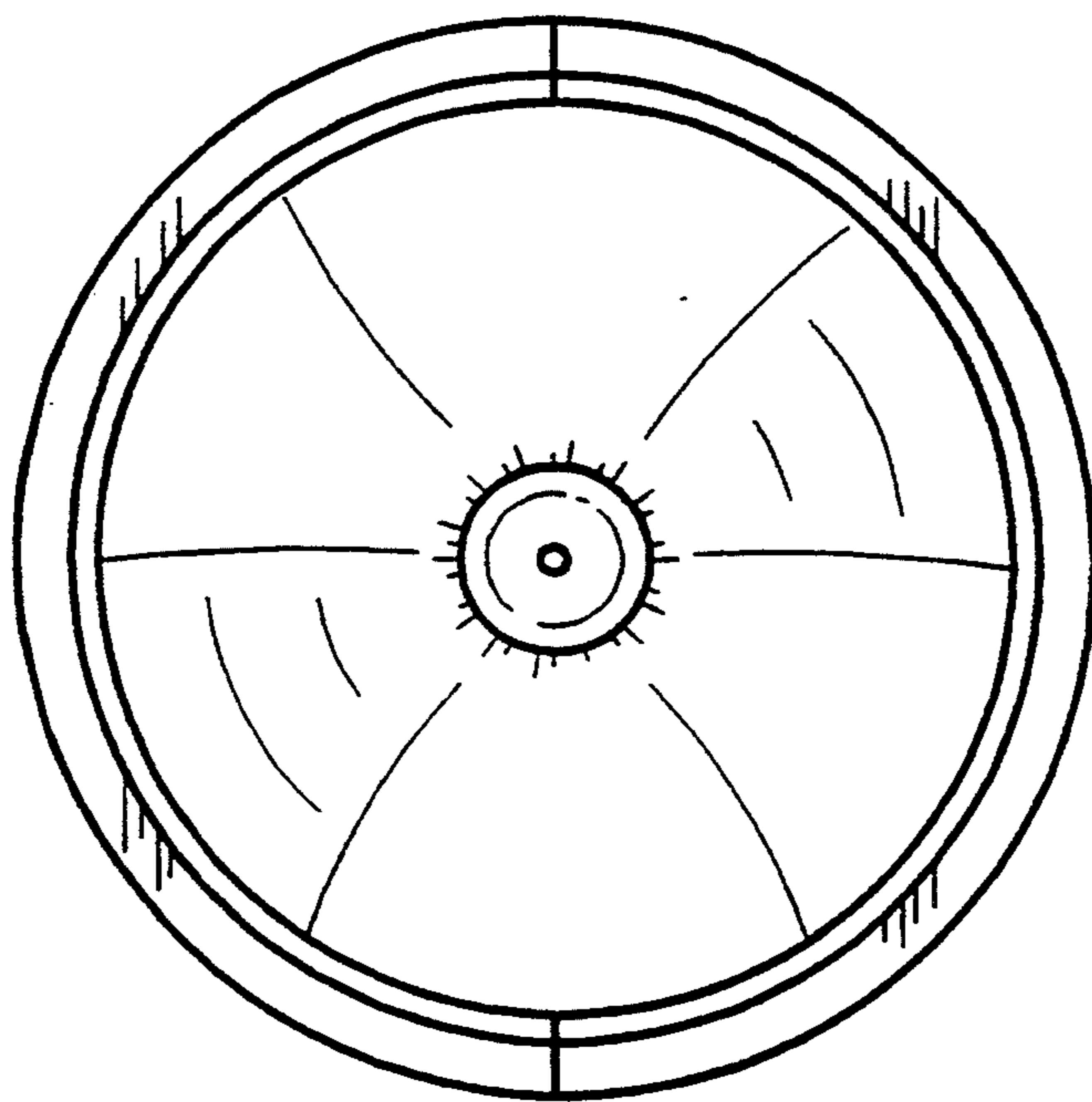


FIG. 4

