



US00D355318S

United States Patent [19] Gutgsell

[11] Patent Number: **Des. 355,318**
[45] Date of Patent: **** Feb. 14, 1995**

[54] TABLE BASE CONSTRUCTION

D. 337,906 8/1993 Gutgsell D6/495

[75] Inventor: **David R. Gutgsell, Jasper, Ind.**

[73] Assignee: **Ditto Sales, Jasper, Ind.**

[**] Term: **14 Years**

[21] Appl. No.: **12,717**

[22] Filed: **Sep. 8, 1993**

[52] U.S. Cl. **D6/498; D6/499**

[58] Field of Search **D6/480-489,
D6/495-499, 429-431; 108/153-155, 161;
248/188, 188.1, 188.7, 431, 165**

[56] **References Cited**

U.S. PATENT DOCUMENTS

- D. 237,660 11/1975 Bertleson D6/429 X
- D. 247,401 3/1978 Cohen D6/431 X
- D. 316,644 5/1991 Diffrient D6/498
- D. 335,983 6/1993 Gutgsell D6/495

OTHER PUBLICATIONS

Chromcraft-p. BC-16.
Interiors-May 1990, p. 103 table base.
Howe Tables-p. 4, top right base.

Primary Examiner—Janice E. Seeger
Attorney, Agent, or Firm—Woodard, Emhardt,
Naughton, Moriarty & McNett

[57] CLAIM

The ornamental design for a table base construction, as shown and described.

DESCRIPTION

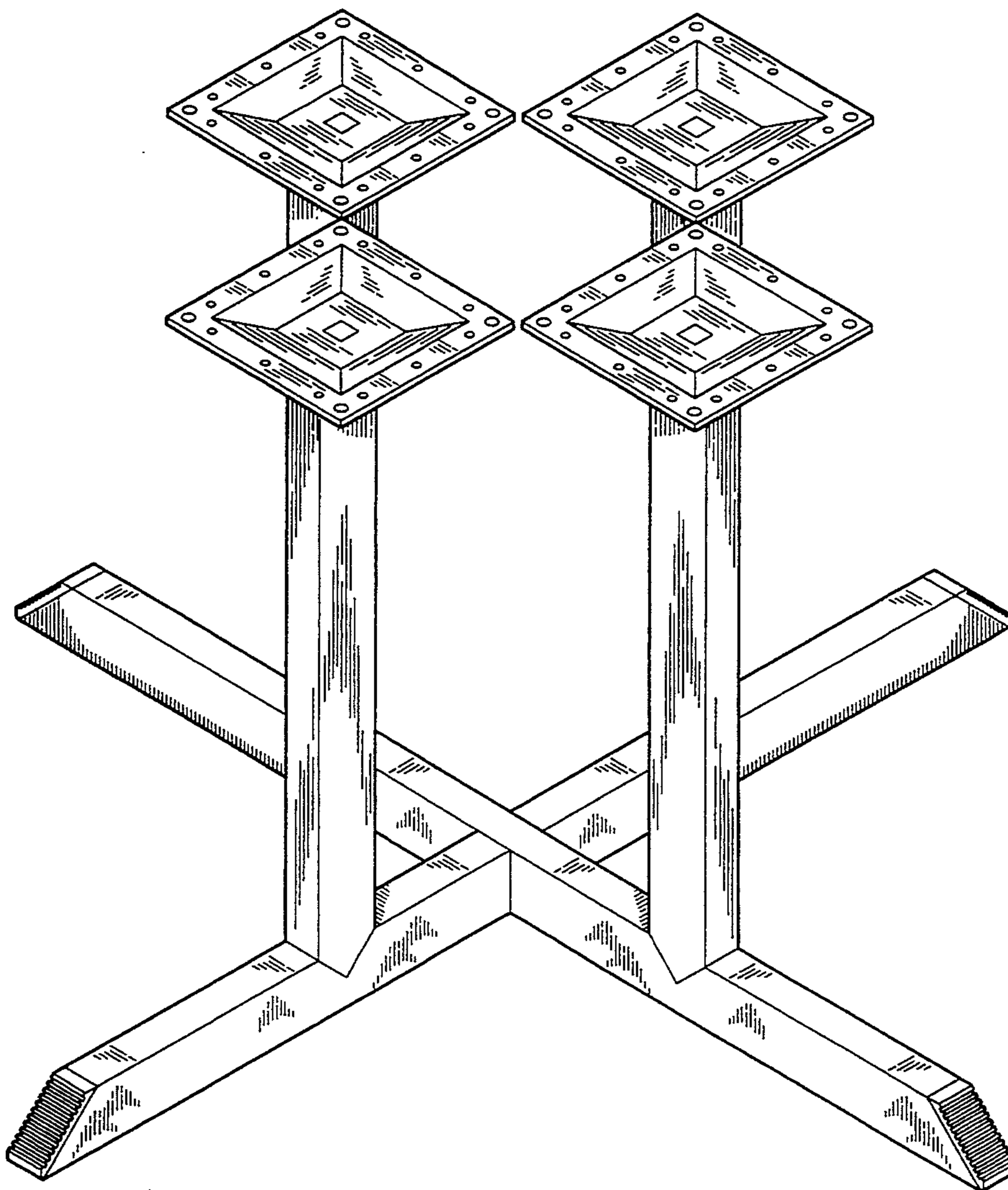
FIG. 1 is a perspective view of a table base, showing my new design;

FIG. 2 is a typical side elevational view thereof;

FIG. 3 is a typical end elevational view thereof;

FIG. 4 is a top elevational view thereof; and,

FIG. 5 is a bottom elevational view thereof.



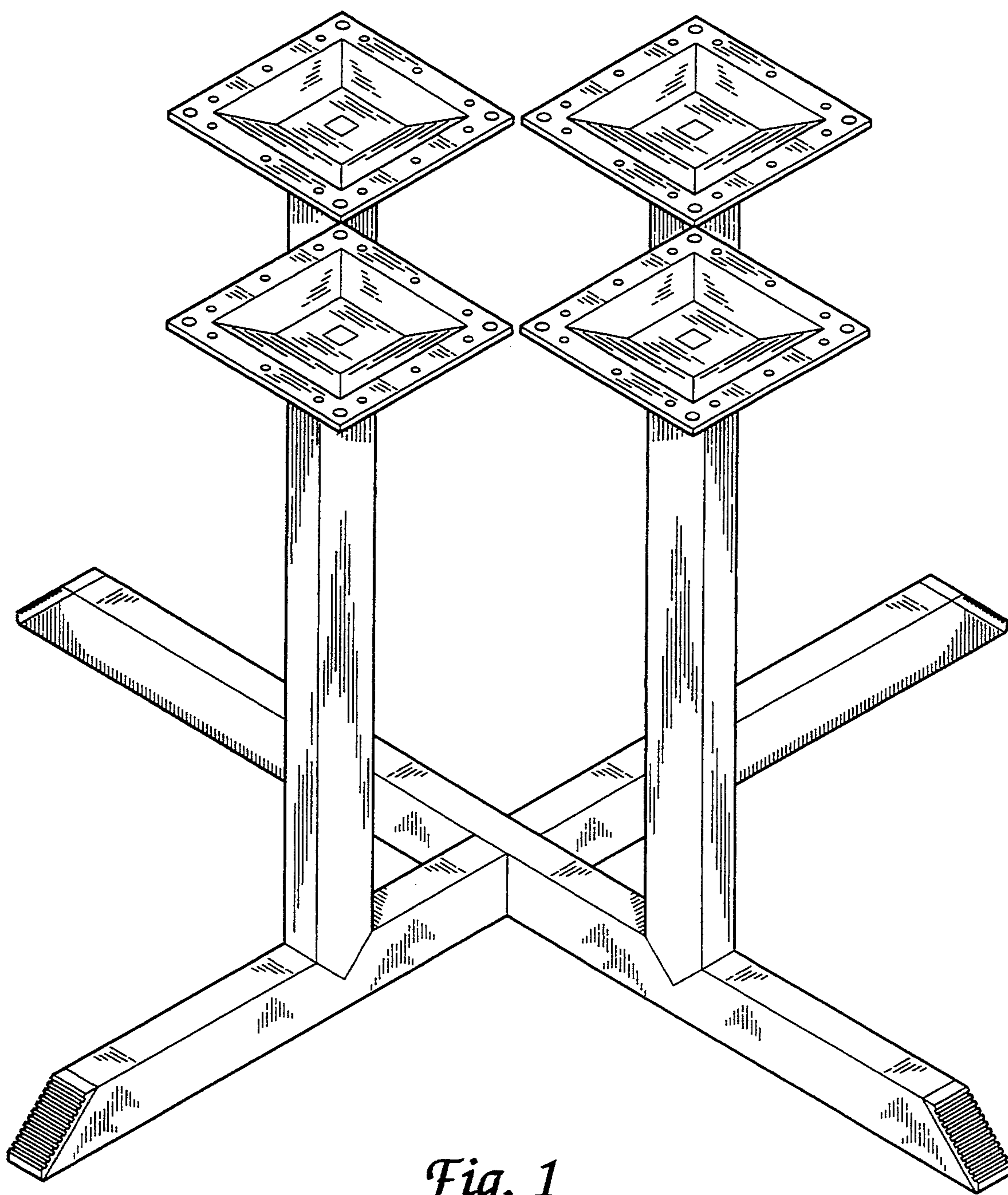


Fig. 1

Fig. 4

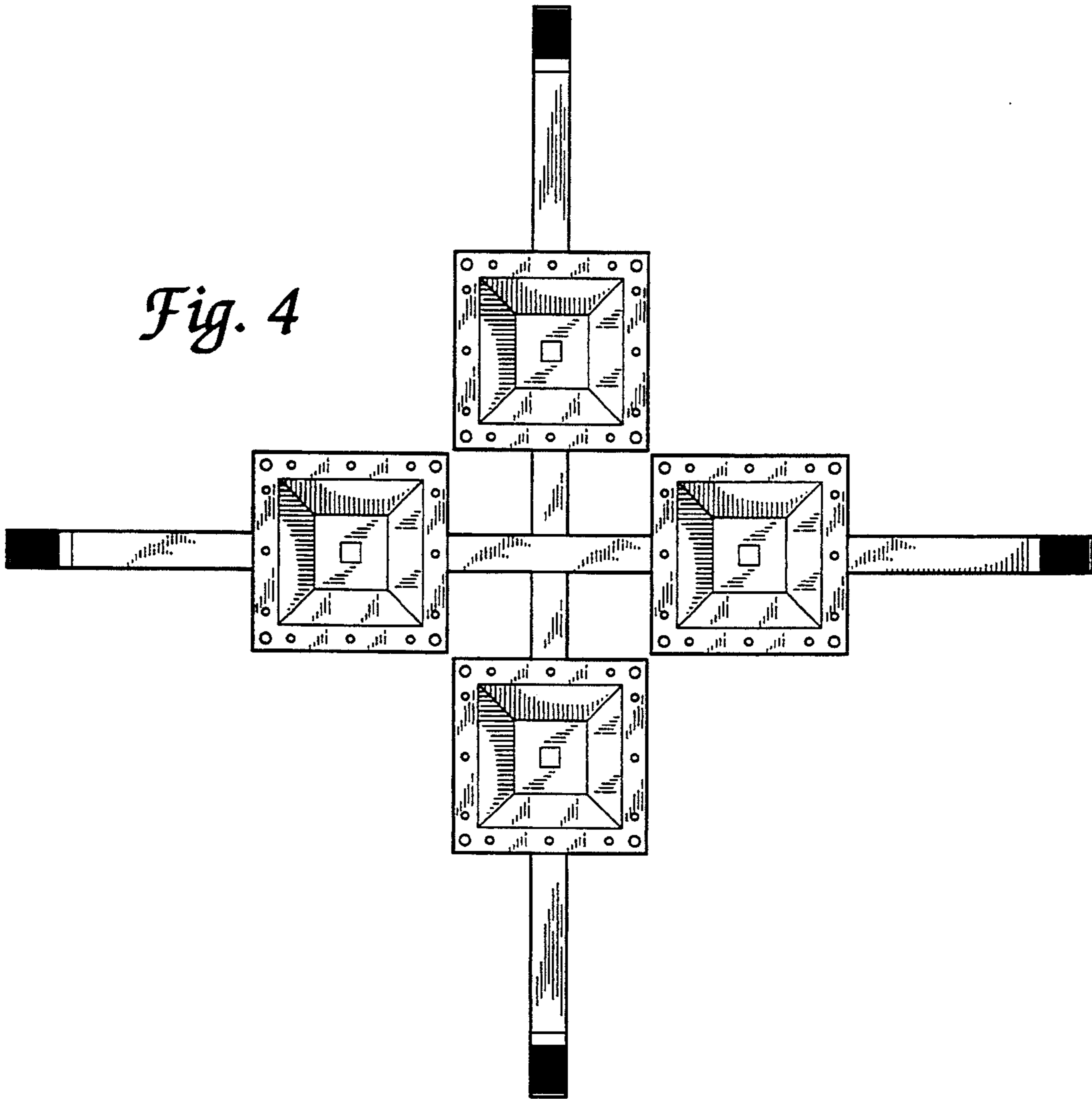
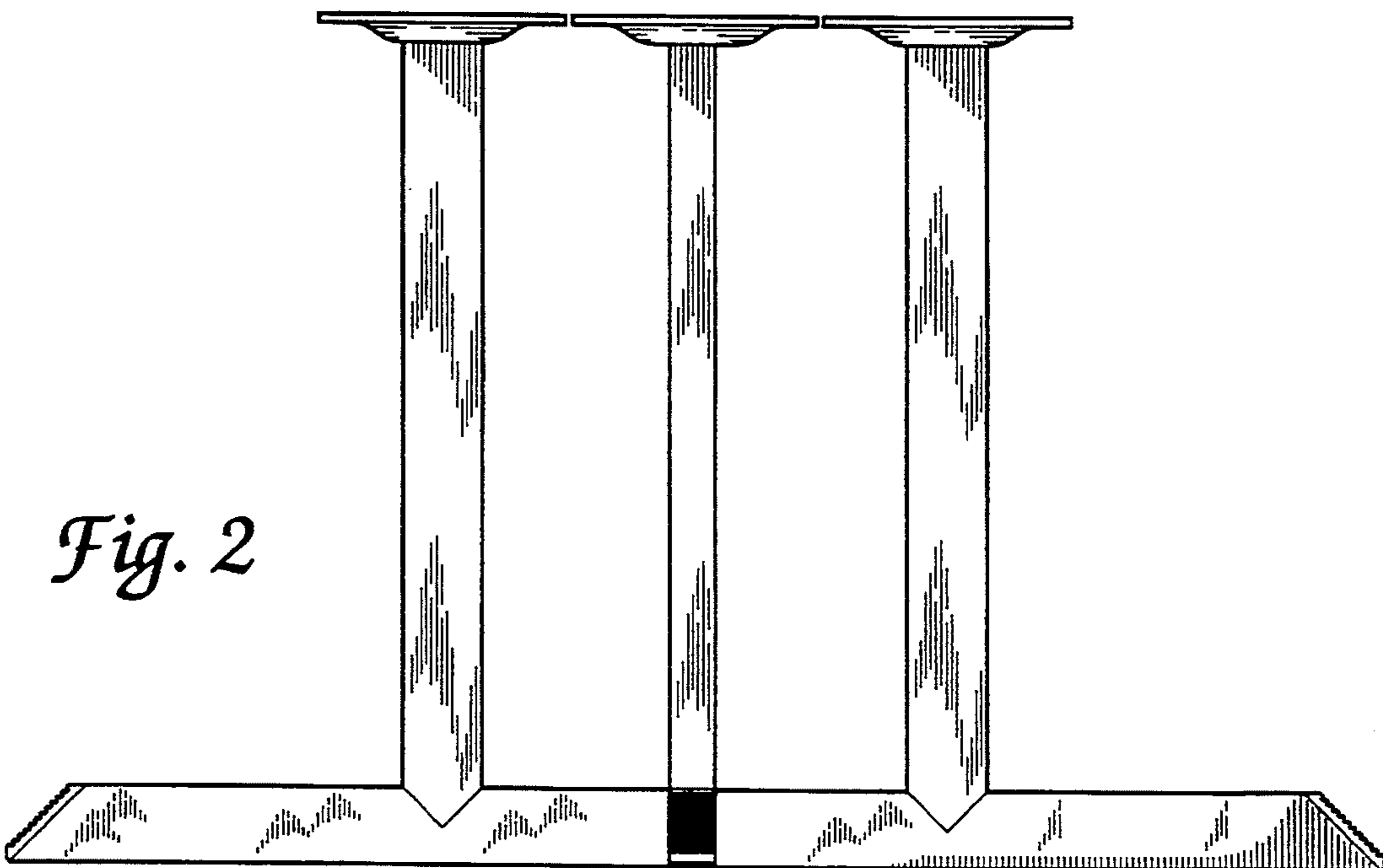


Fig. 2



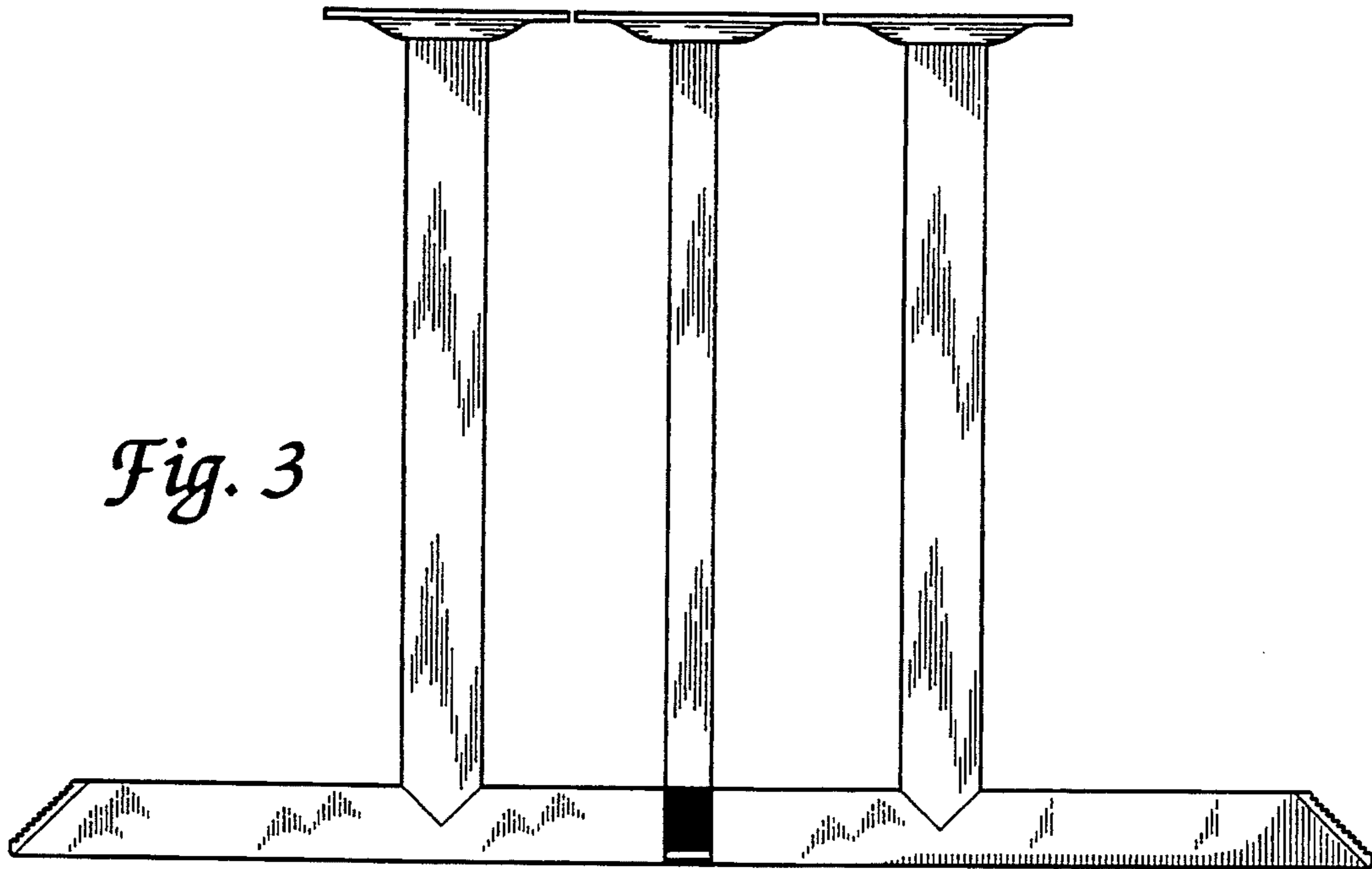


Fig. 3

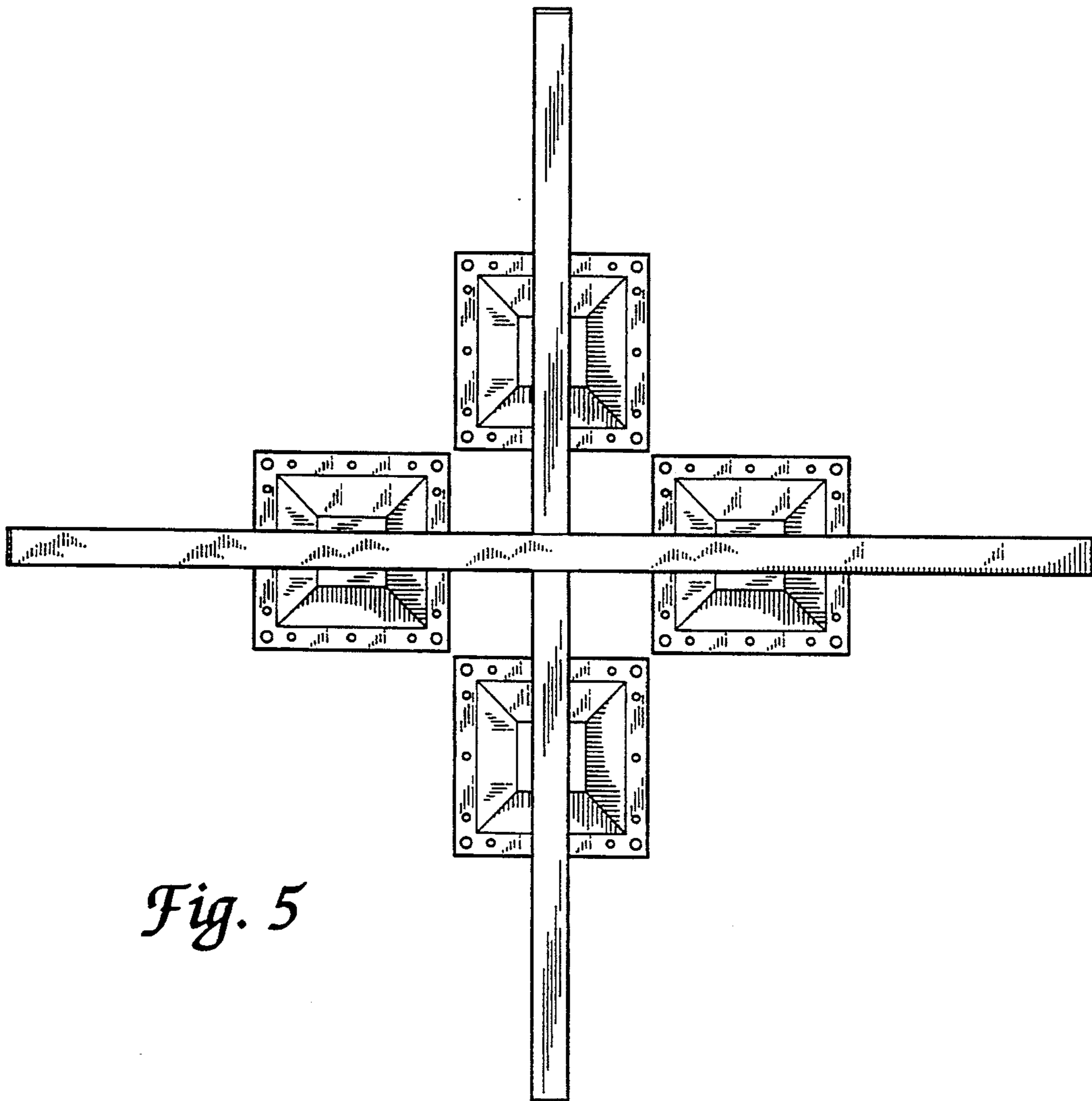


Fig. 5