



US00D355317S

United States Patent [19]

[11] Patent Number: **Des. 355,317**

Gutgsell

[45] Date of Patent: **** Feb. 14, 1995**

[54] TABLE BASE CONSTRUCTION

D. 337,906 8/1993 Gutgsell D6/495

[75] Inventor: **David R. Gutgsell, Jasper, Ind.**

OTHER PUBLICATIONS

[73] Assignee: **Ditto Sales, Jasper, Ind.**

Howe Tables—p. 4, second from top at right.
Interiors—May 1990—p. 103.

[**] Term: **14 Years**

Primary Examiner—Janice E. Seeger
Attorney, Agent, or Firm—Woodward, Emhardt,
Naughton, Moriarty & McNett

[21] Appl. No.: **12,705**

[57] CLAIM

[22] Filed: **Sep. 8, 1993**

[52] U.S. Cl. **D6/495**

The ornamental design for a table base construction, as shown and described.

[58] Field of Search **D6/480-489,
D6/495-499, 429-431; 108/153-155, 161;
248/188, 188.1, 188.7, 431, 165**

DESCRIPTION

[56] **References Cited**

FIG. 1 is a perspective view of a table base, showing my new design;

U.S. PATENT DOCUMENTS

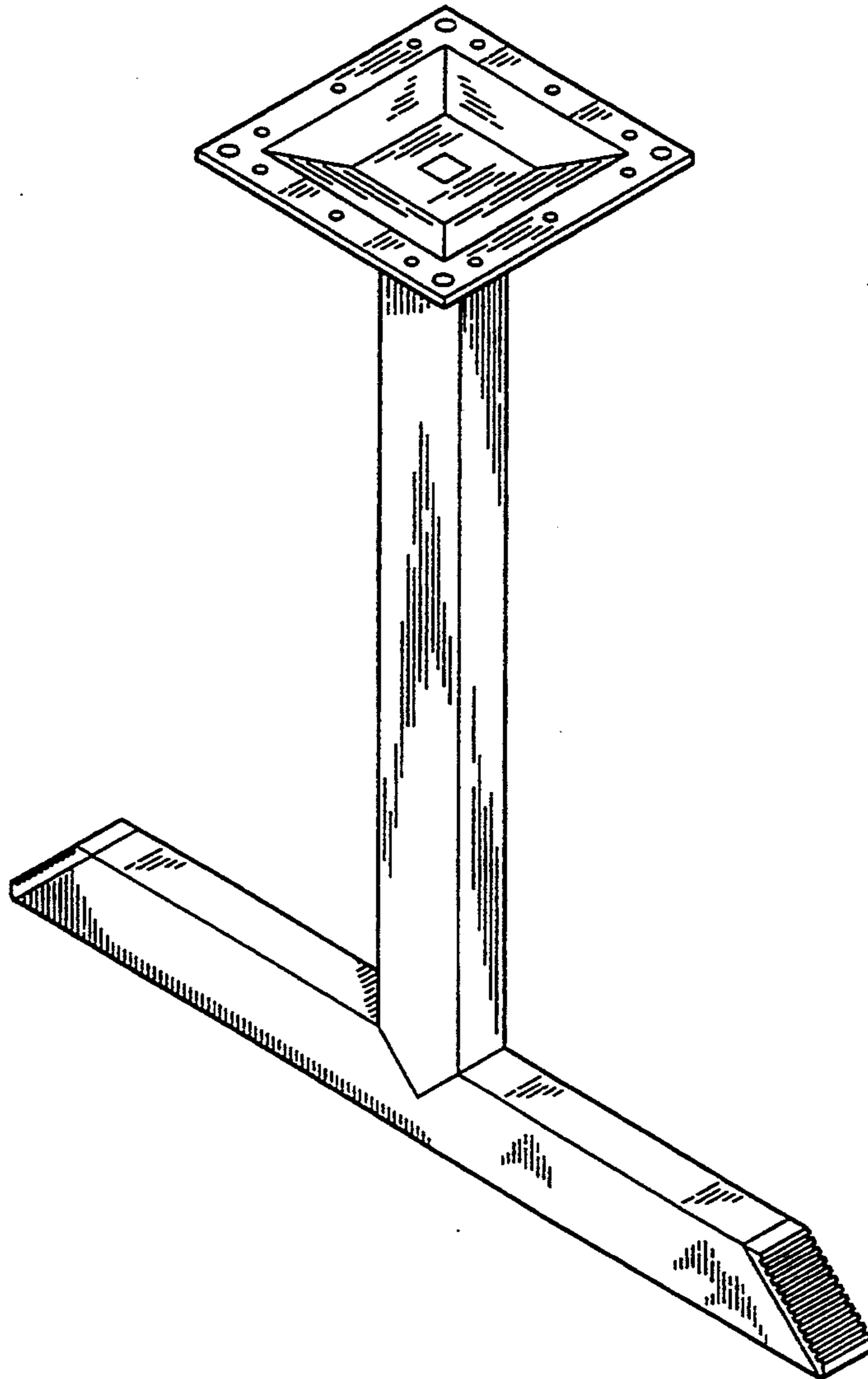
- D. 237,660 11/1975 Bertleson D6/429 X
- D. 318,966 8/1991 Schroff et al. D6/484 X
- D. 335,983 6/1993 Gutgsell D6/495

FIG. 2 is a typical side elevational view thereof;

FIG. 3 is a typical end elevational view thereof;

FIG. 4 is a top elevational view thereof; and,

FIG. 5 is a bottom elevational view thereof.



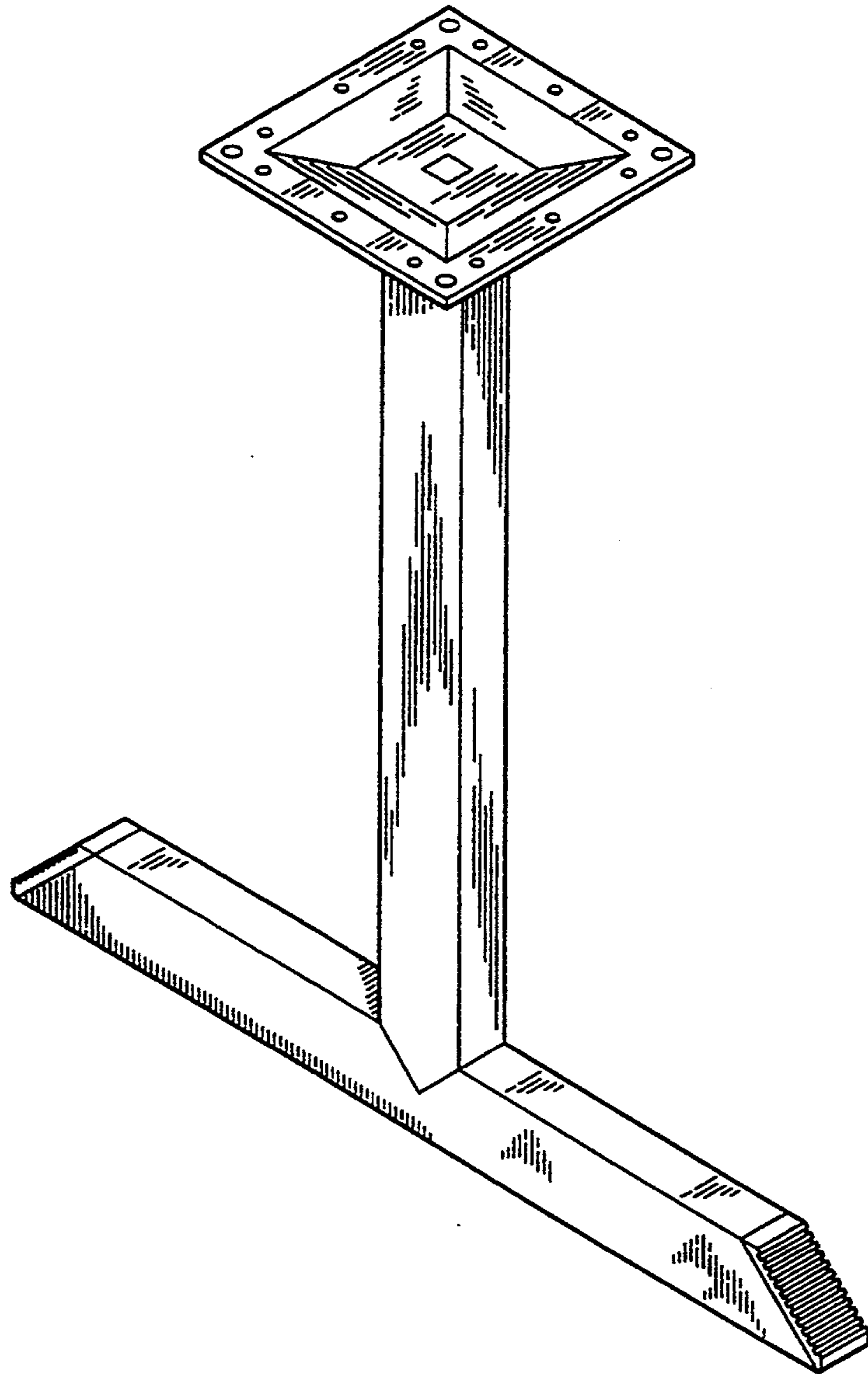


Fig. 1

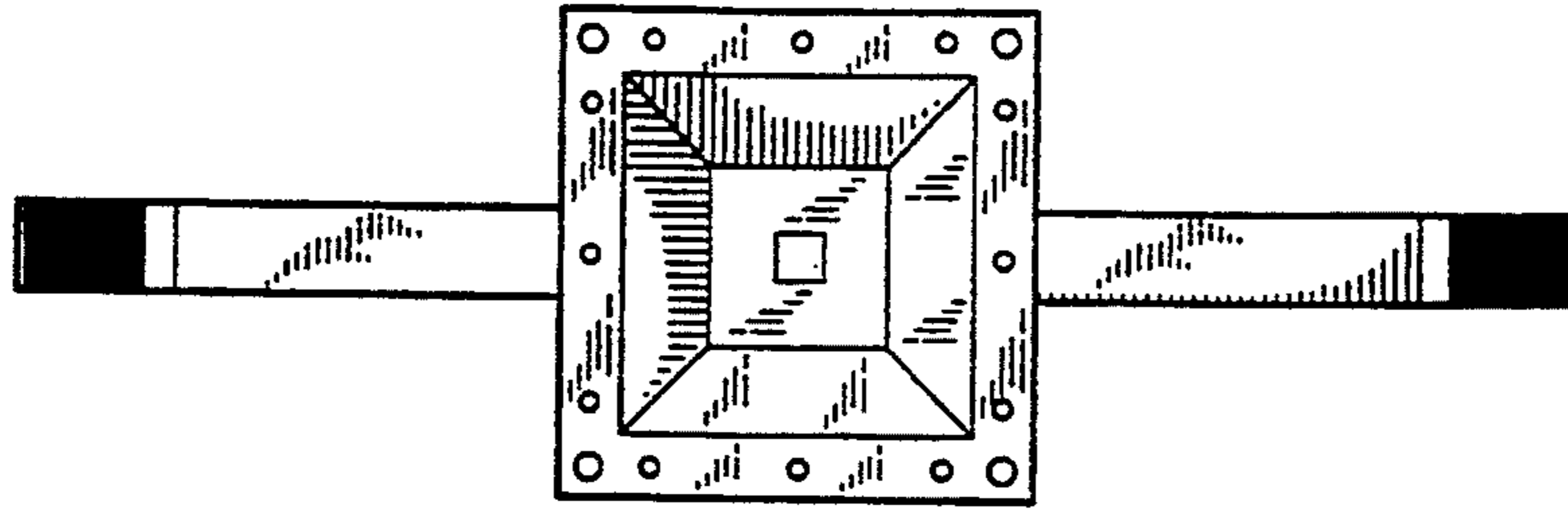


Fig. 4

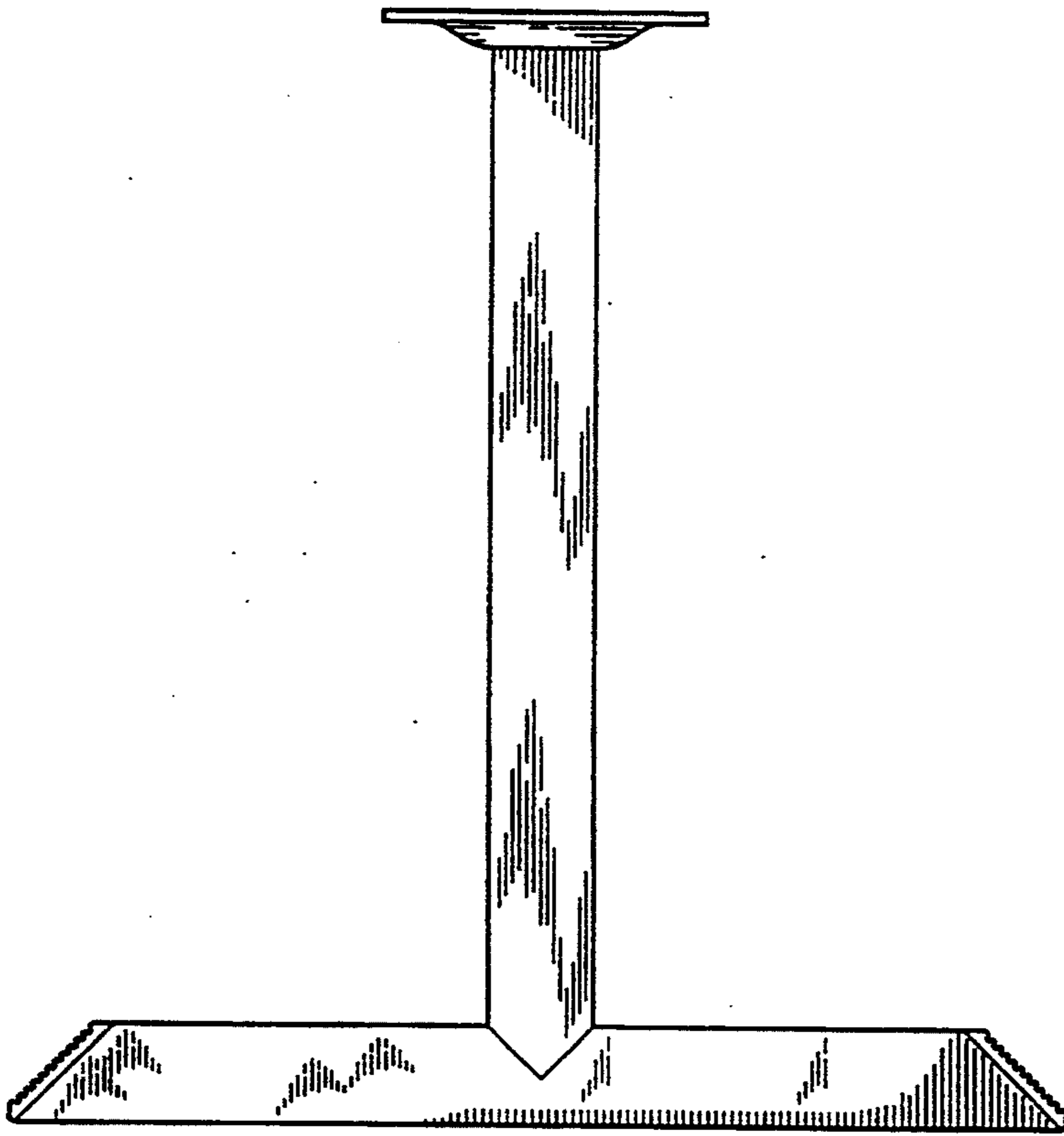


Fig. 2

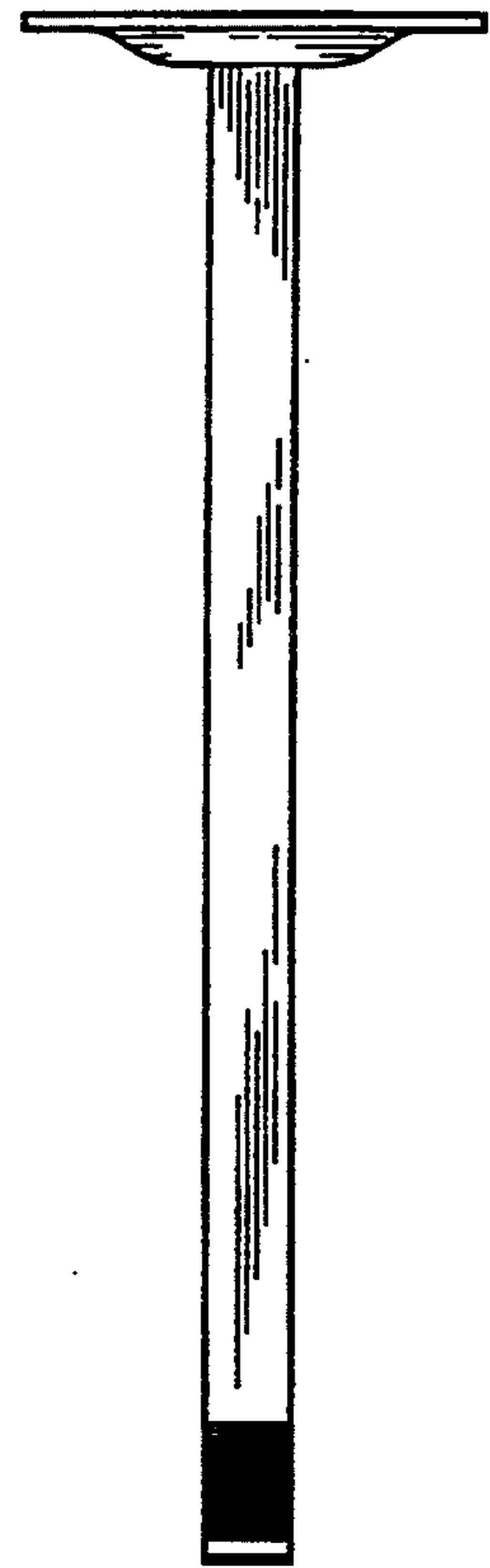


Fig. 3

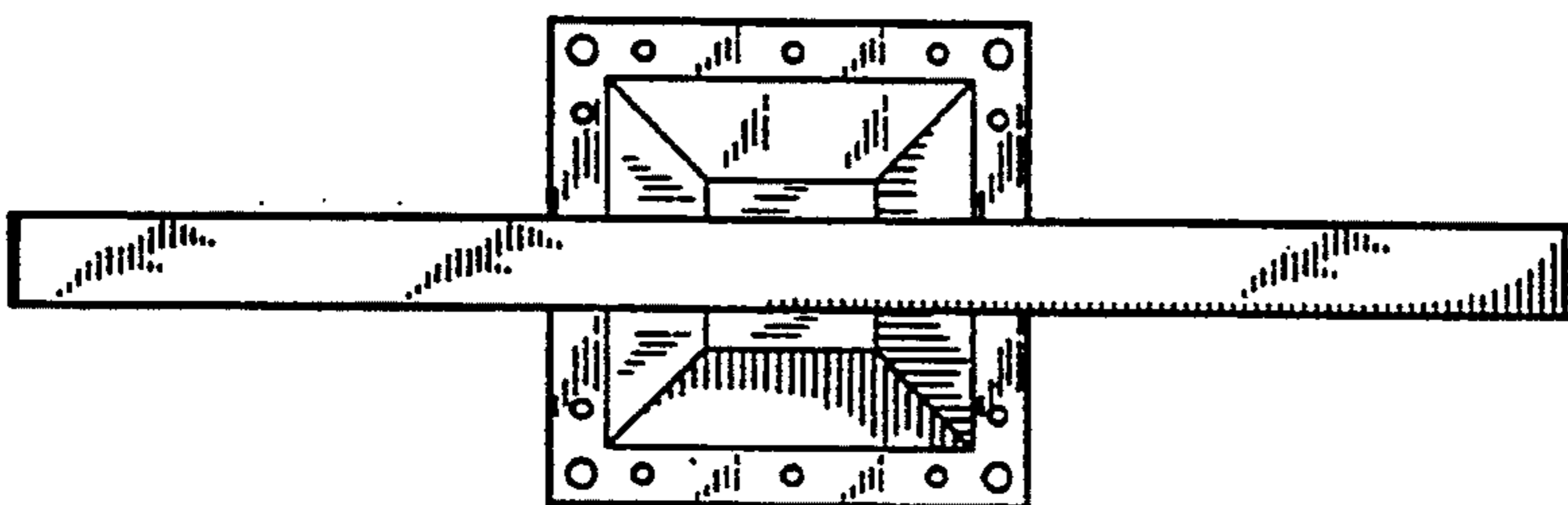


Fig. 5