



US00D355316S

United States Patent [19] Kellen

[11] Patent Number: **Des. 355,316**

[45] Date of Patent: **** Feb. 14, 1995**

[54] TABLE

[75] Inventor: **Elizabeth C. Kellen**, Santa Monica, Calif.

[73] Assignee: **Westinghouse Electric Corporation**, Pittsburgh, Pa.

[**] Term: **14 Years**

[21] Appl. No.: **16,657**

[22] Filed: **Dec. 21, 1993**

[52] U.S. Cl. **D6/484; D6/485**

[58] Field of Search **D6/480-489, D6/495, 498, 499, 451, 349; 108/150, 153-157, 160, 161**

[56] **References Cited**

U.S. PATENT DOCUMENTS

D. 35,728	2/1902	Estes	D6/488
D. 141,884	7/1945	Friedrich	D6/488
D. 262,588	1/1982	Beltrame	D6/484
D. 334,312	3/1993	Gloss	D6/484

OTHER PUBLICATIONS

Mil-Mode-Fall 1961, p. 18, No. 315 table top right.
Domus-Apr. 1991, table in center, by Bimbi.

AKKO Catalog, Feb. 1, 1991, p. 3, #1327 table at top right.

D.C. Design Colloquium, May 1992-Table.

Primary Examiner—Janice E. Seeger

Attorney, Agent, or Firm—Carla J. Vrsansky

[57] **CLAIM**

The ornamental design for a table, as shown and described.

DESCRIPTION

FIG. 1 is a perspective view of a table showing my new design;

FIG. 2 is a front elevational view thereof;

FIG. 3 is a rear elevational view thereof;

FIG. 4 is a right side elevational view thereof, the left side being a mirror image thereof;

FIG. 5 is a bottom plan view thereof;

FIG. 6 is a top plan view thereof;

FIG. 7 is a perspective view of an alternate embodiment of my new design;

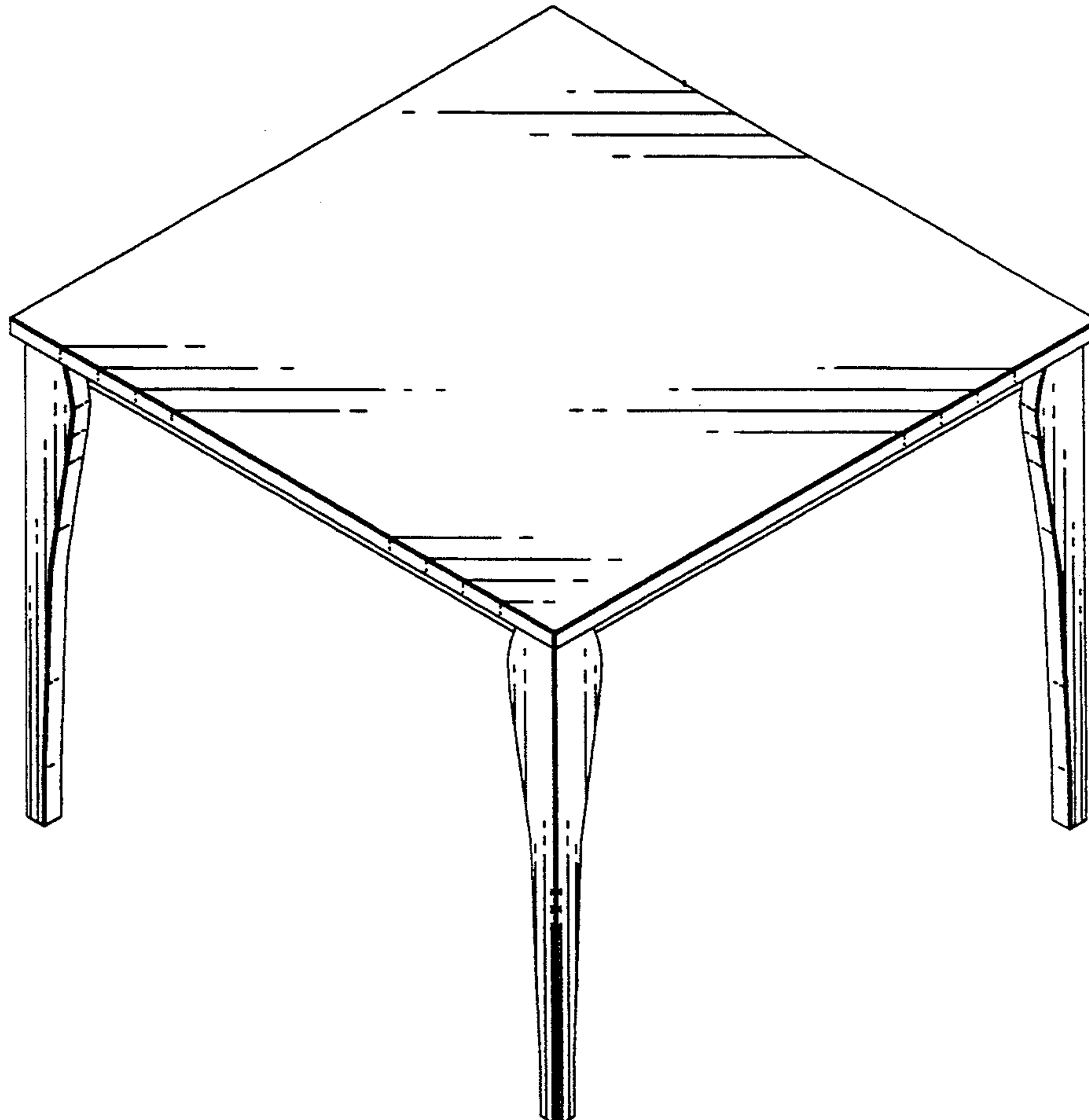
FIG. 8 is a front elevational view thereof;

FIG. 9 is a rear elevational view thereof;

FIG. 10 is a right side elevational view thereof, the left side being a mirror image thereof;

FIG. 11 is a bottom plan view thereof; and,

FIG. 12 is a top plan view thereof.



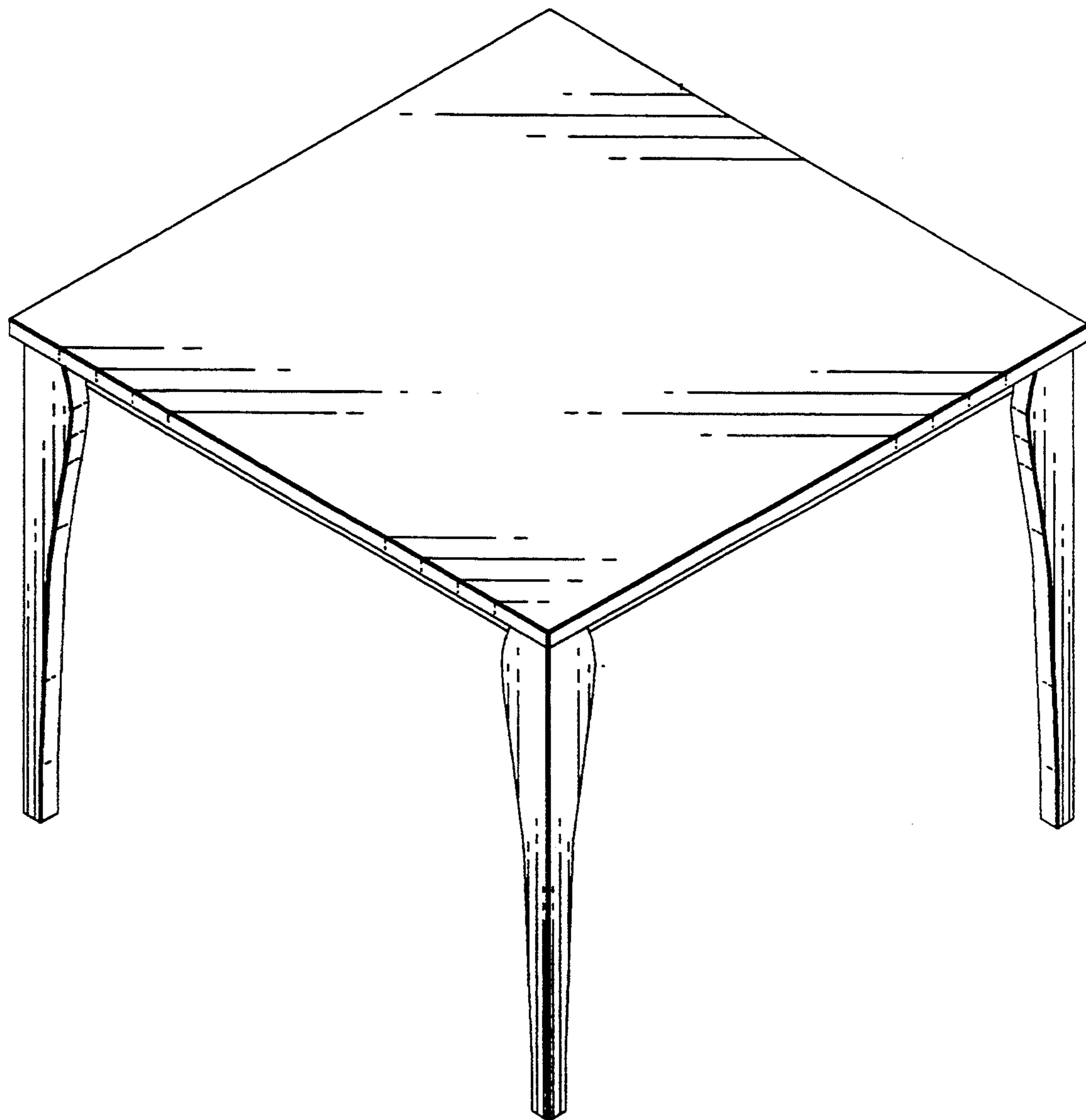


FIG. 1

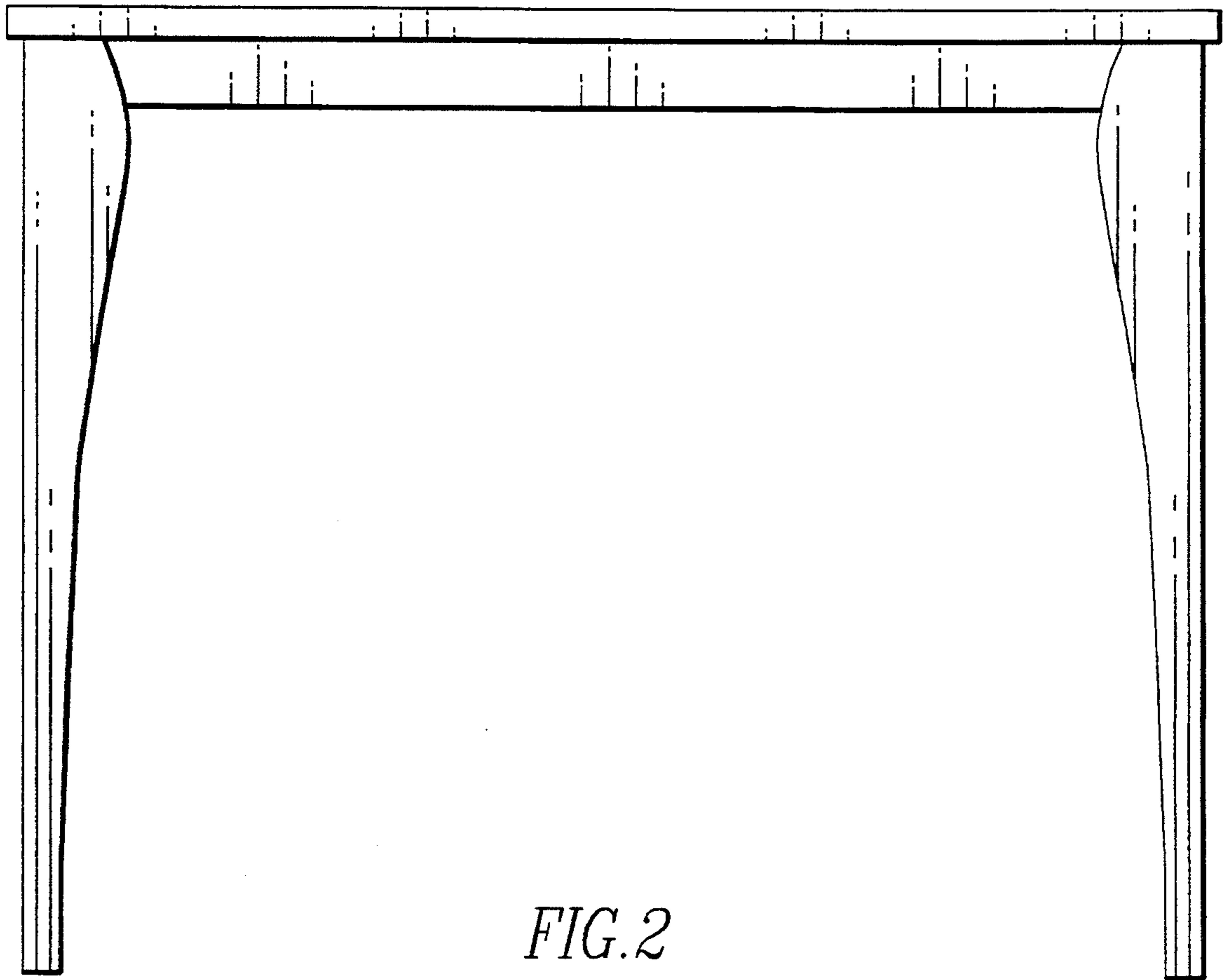


FIG. 2

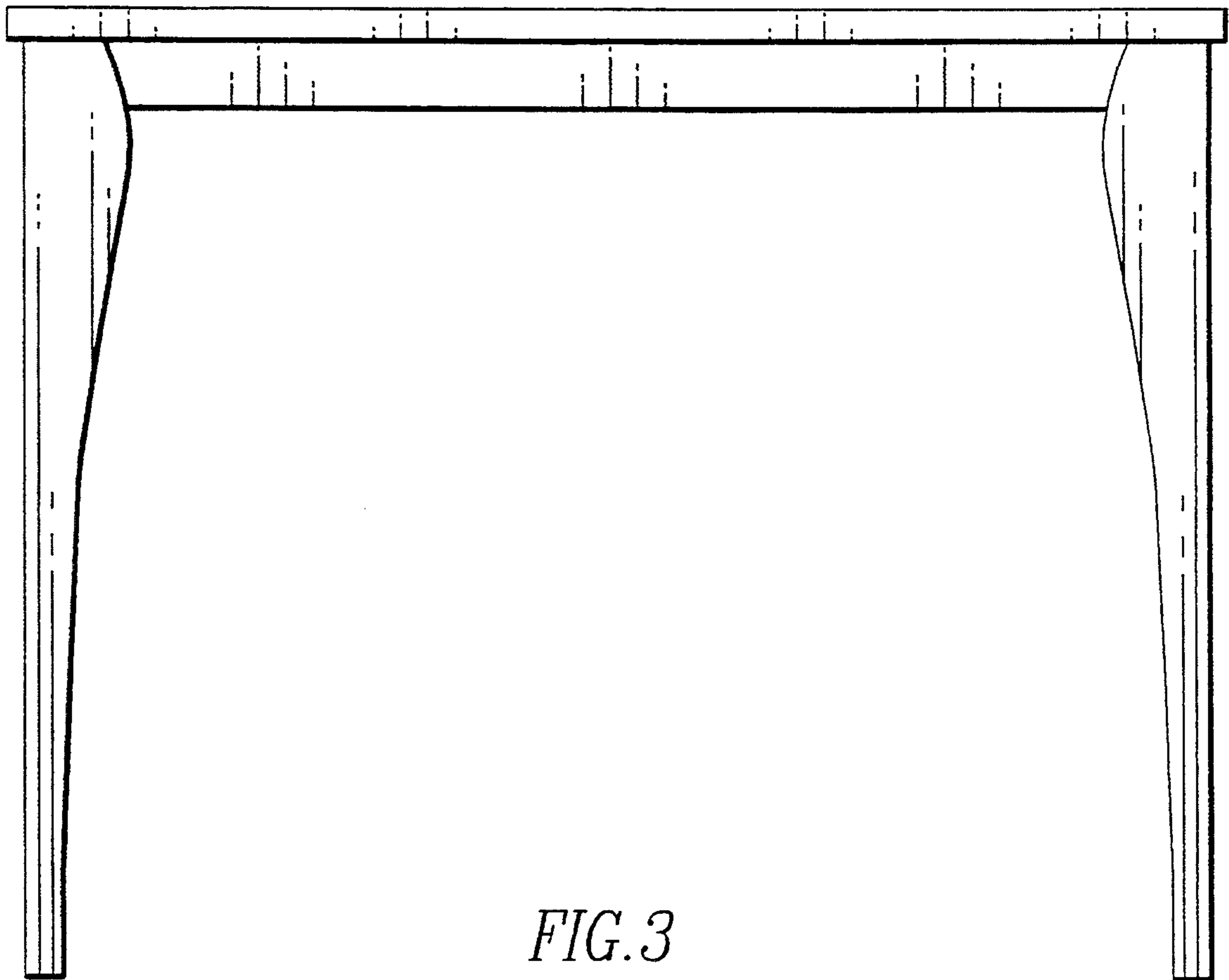


FIG. 3

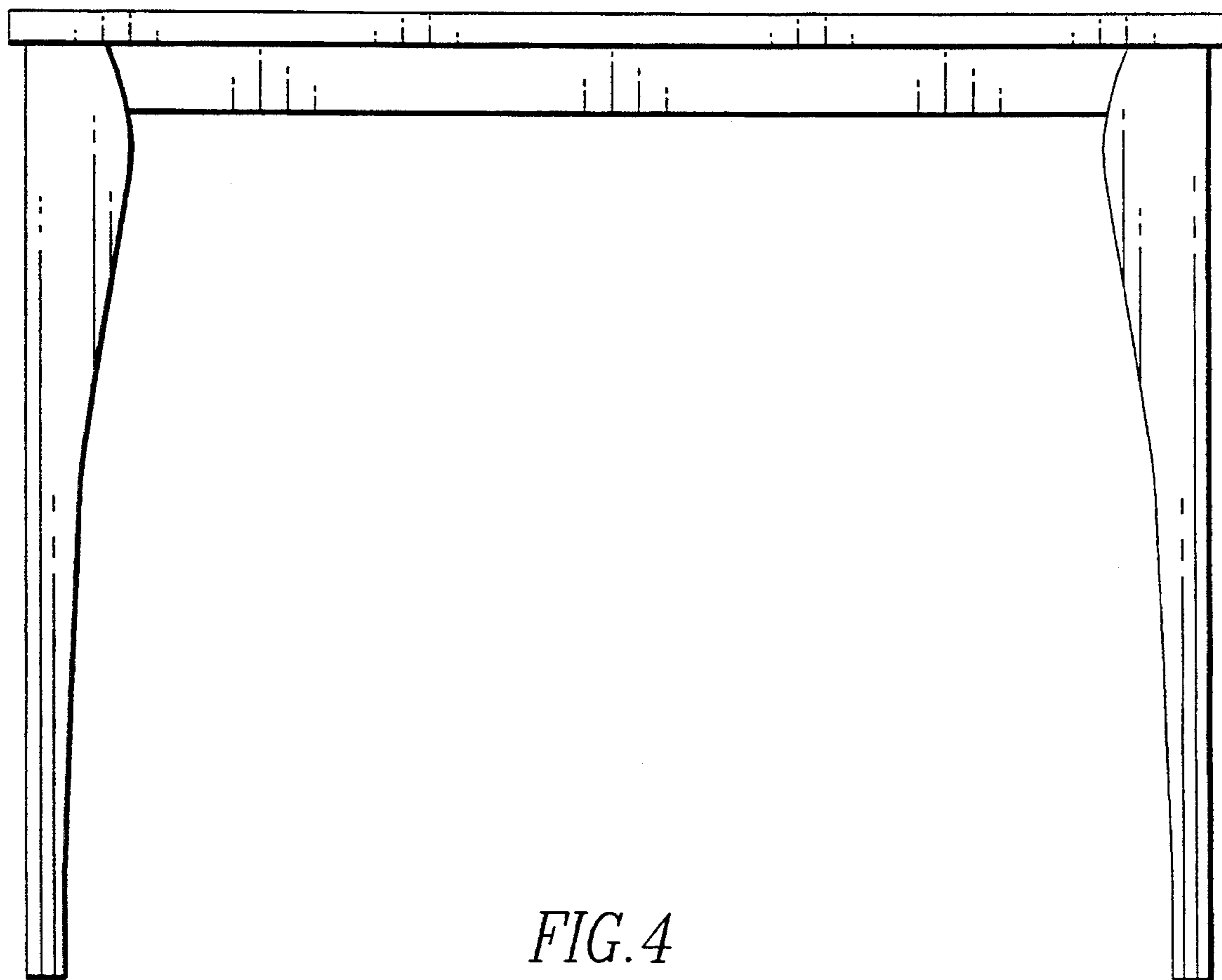


FIG. 4

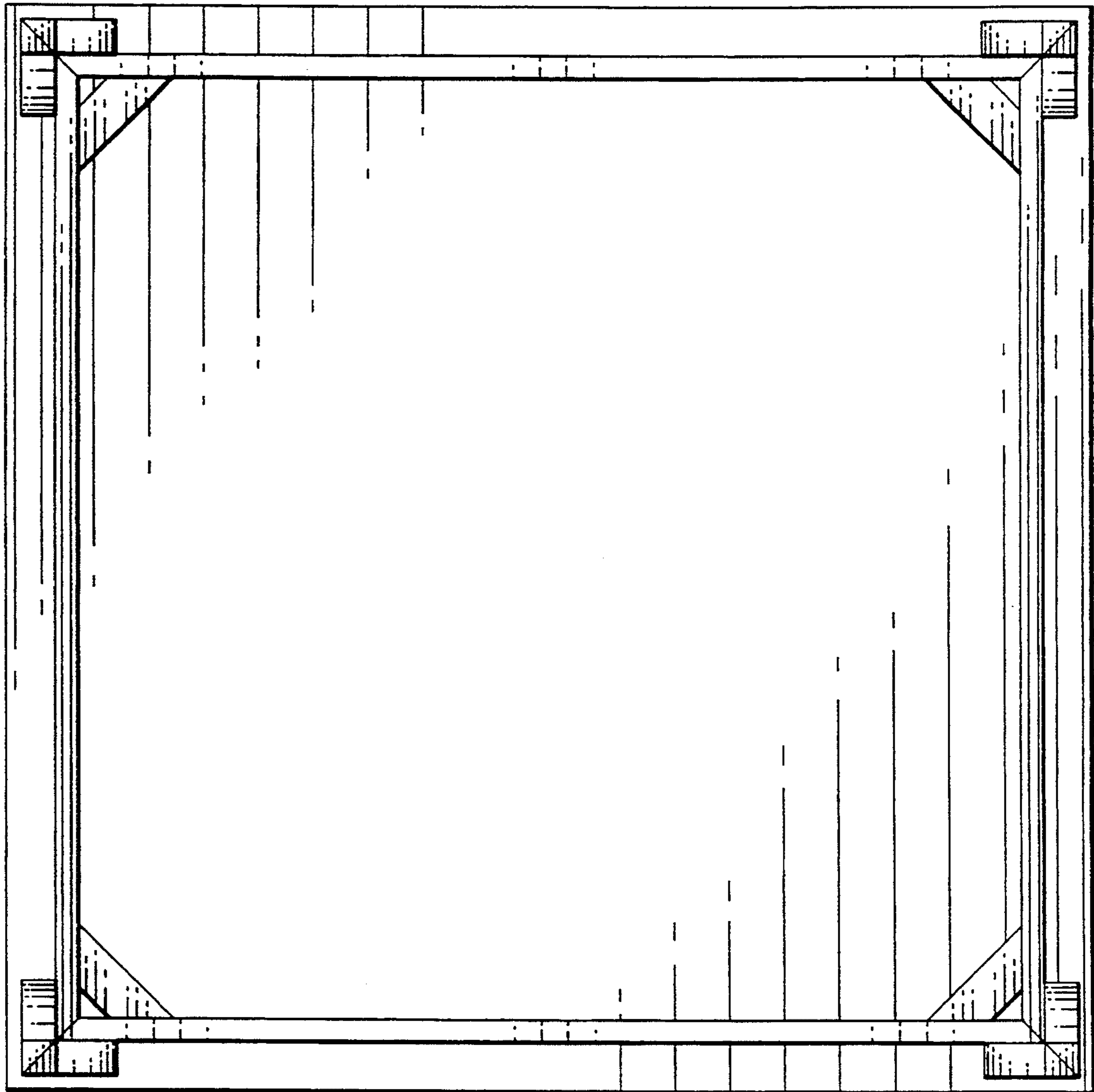


FIG. 5

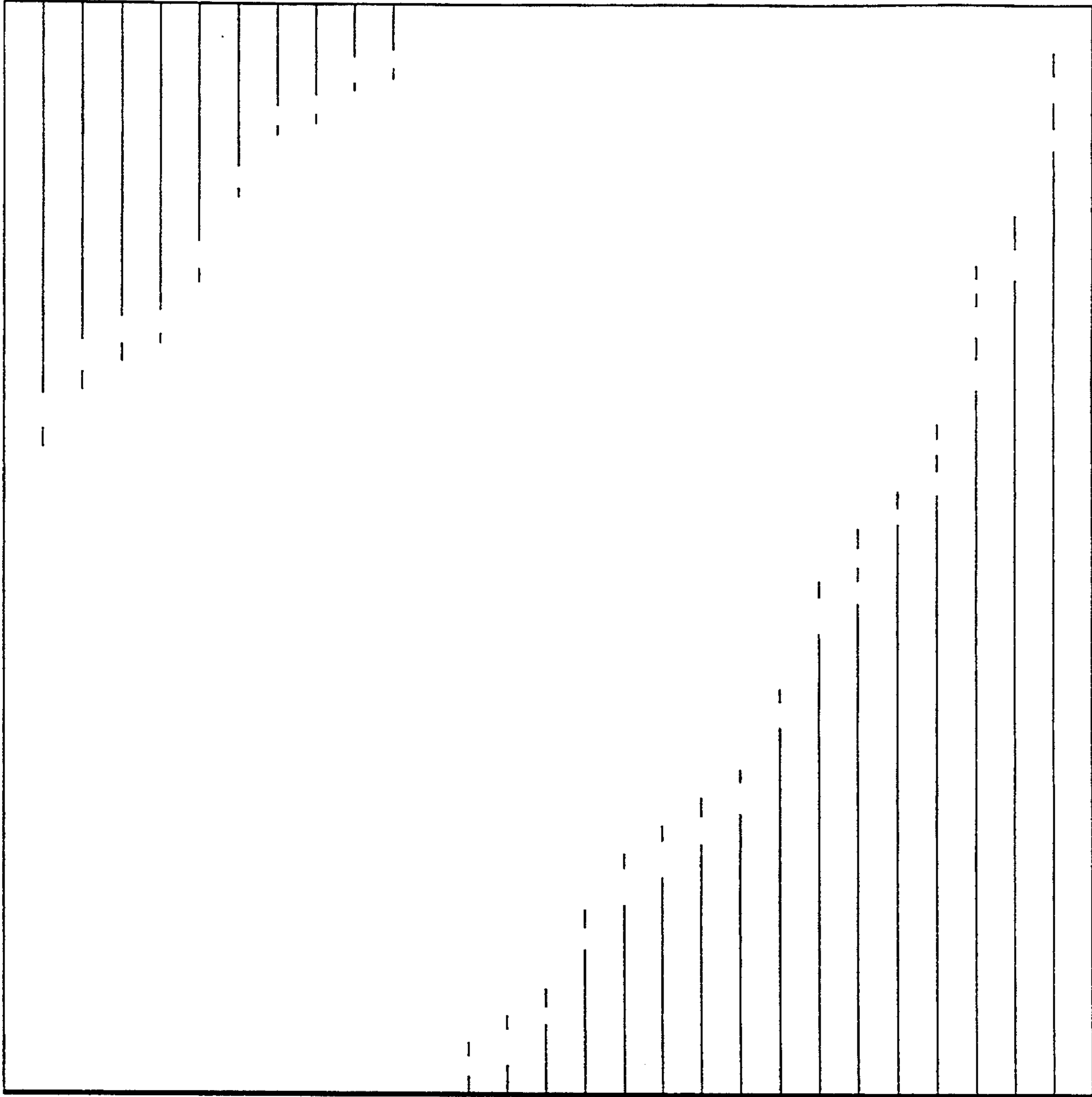


FIG. 6

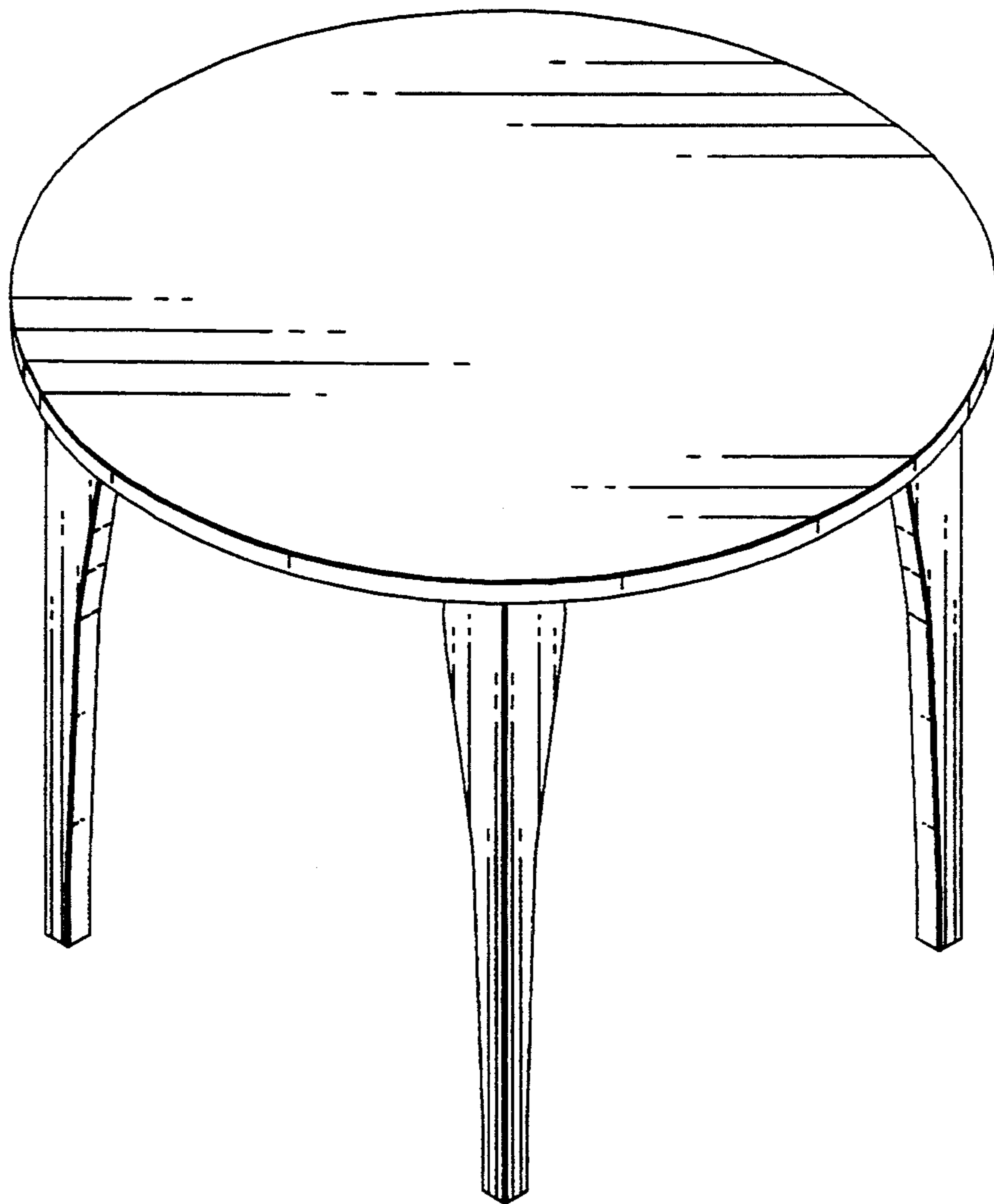


FIG. 7

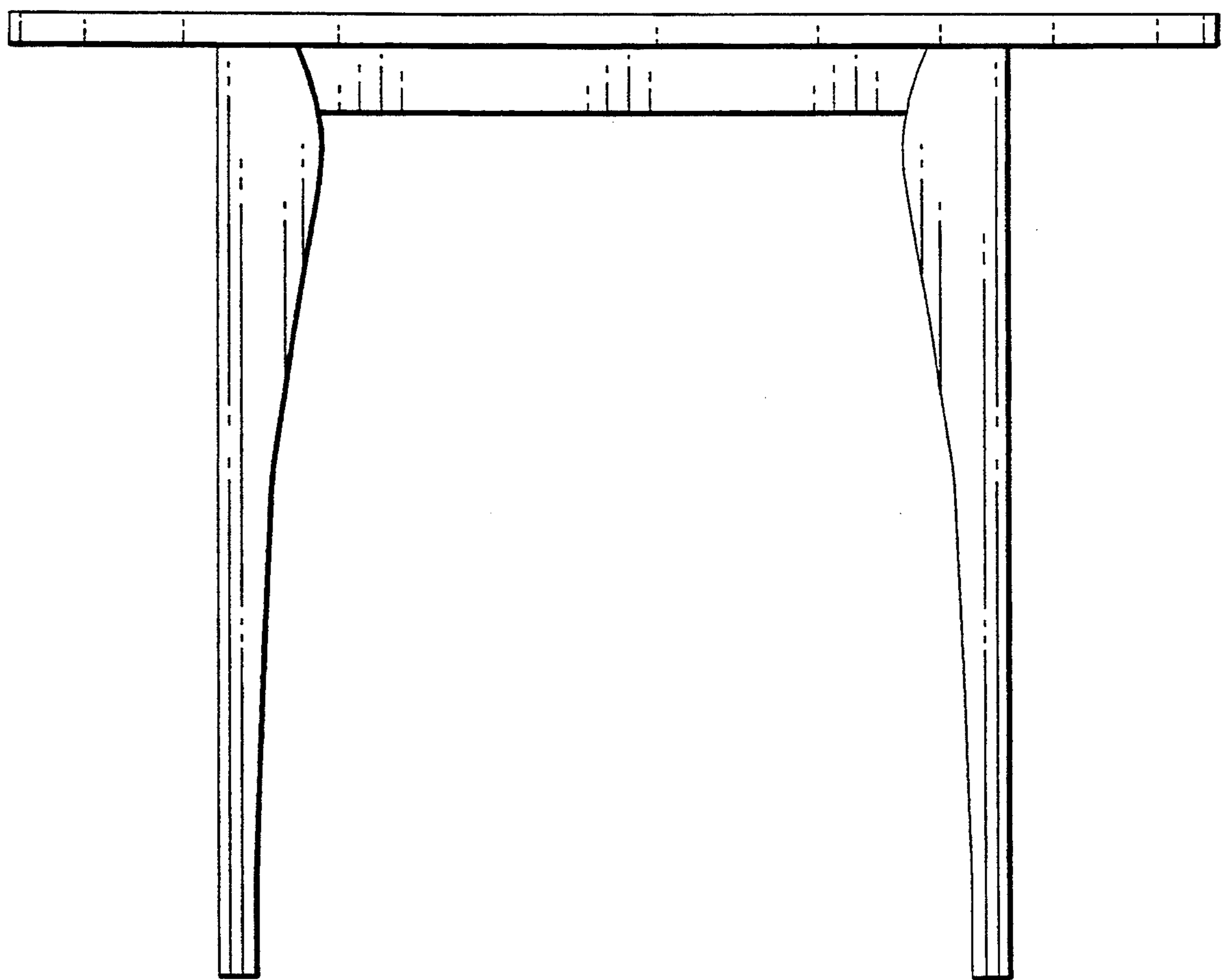


FIG. 8

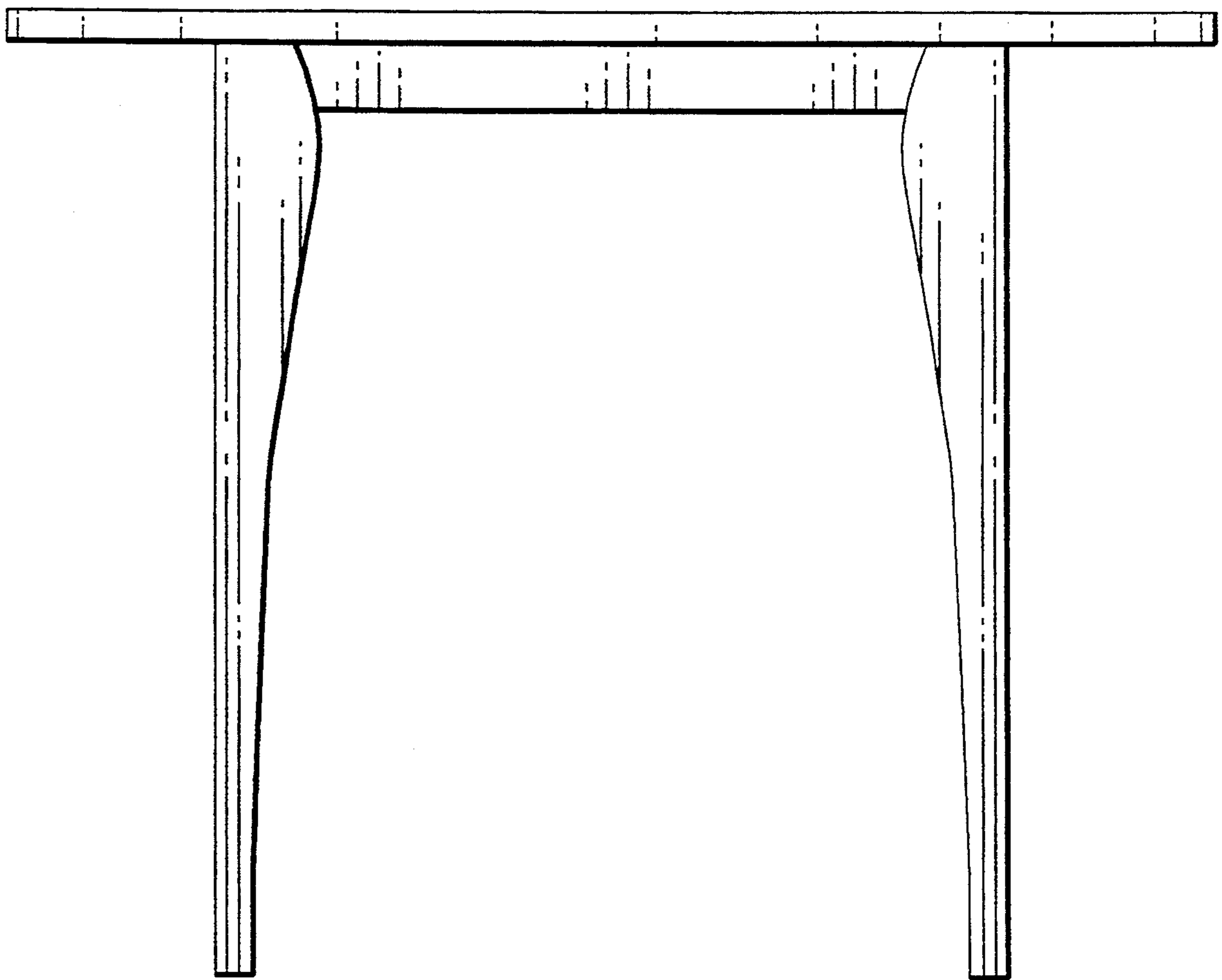


FIG. 9

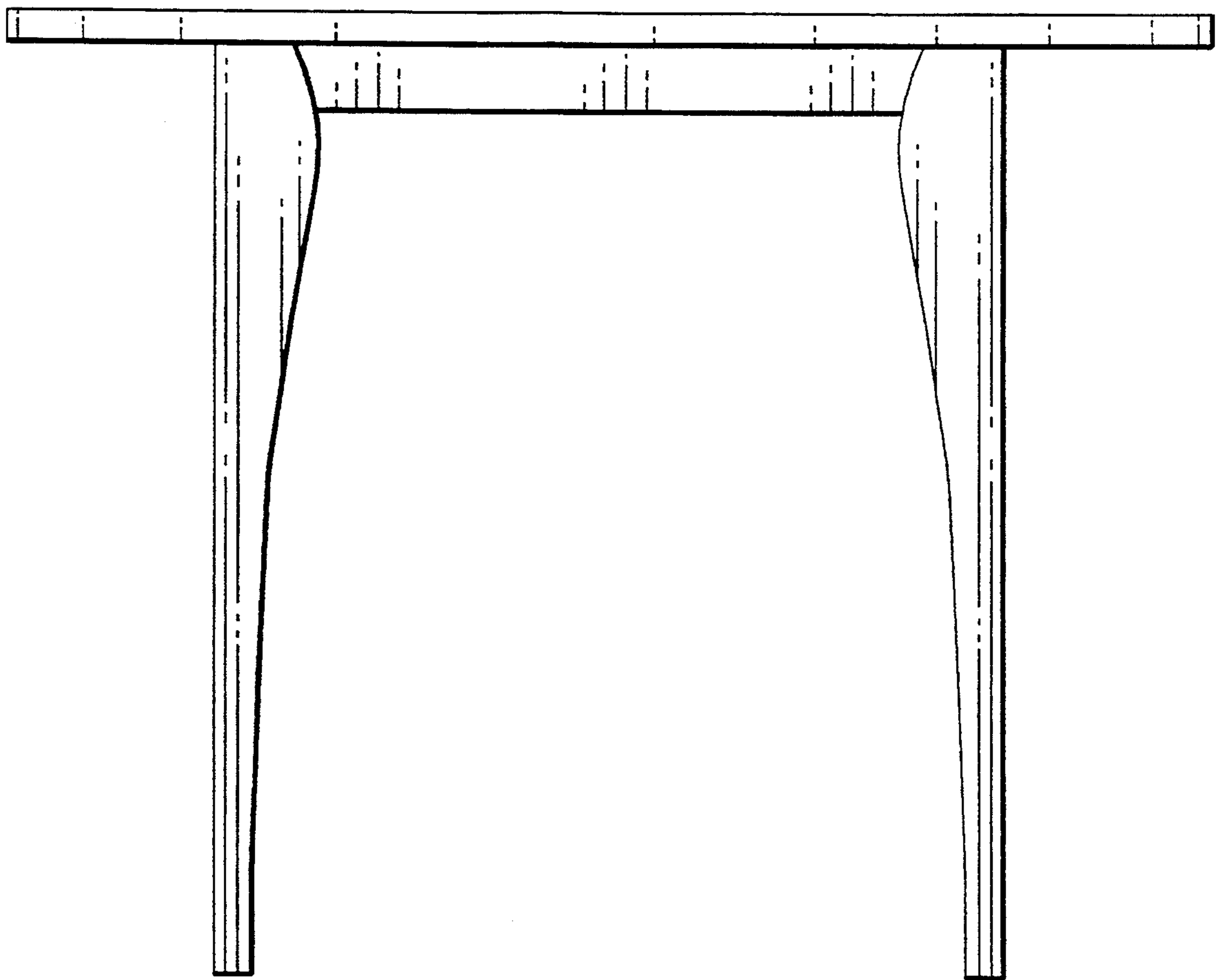


FIG. 10

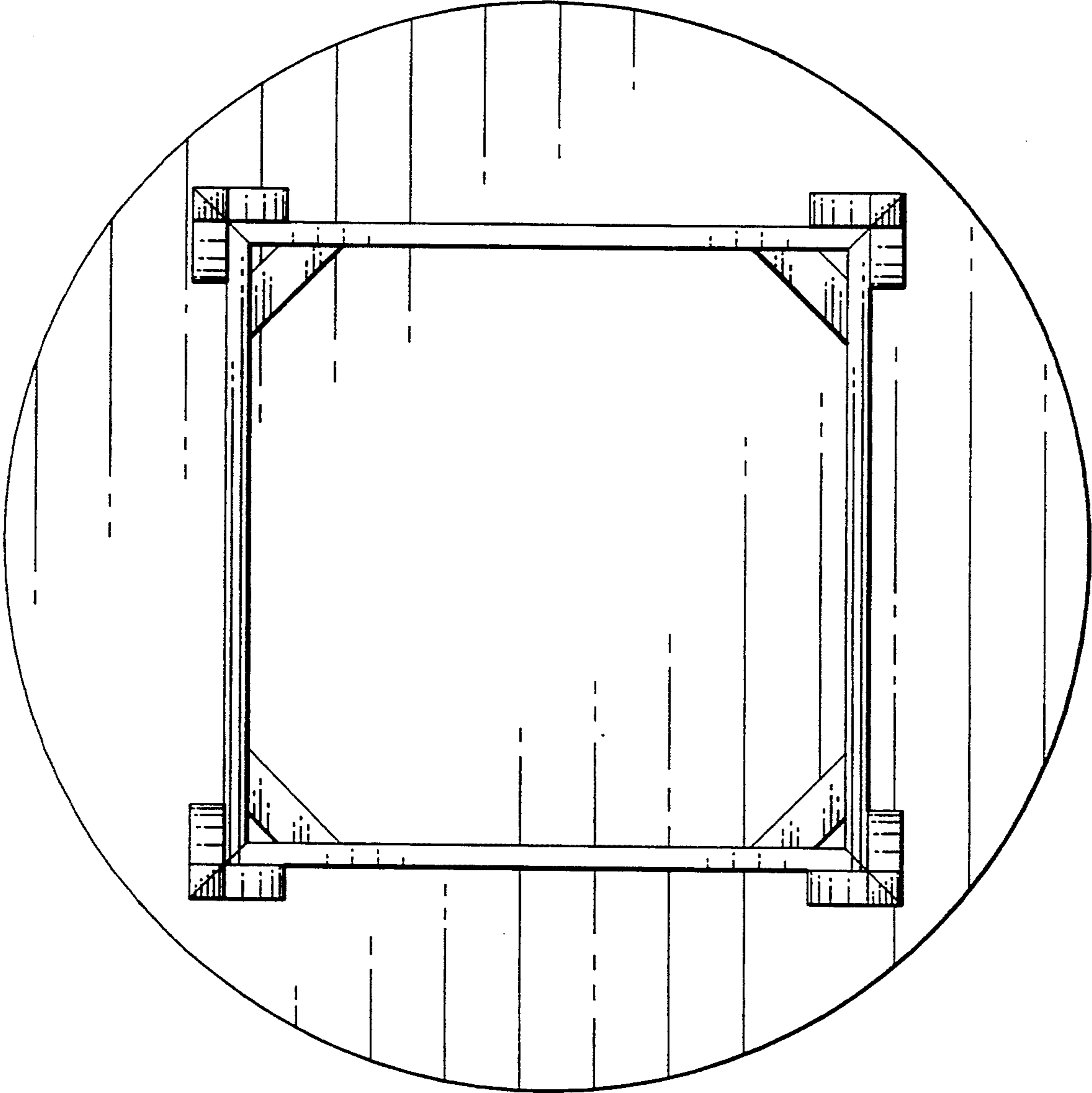


FIG. 11

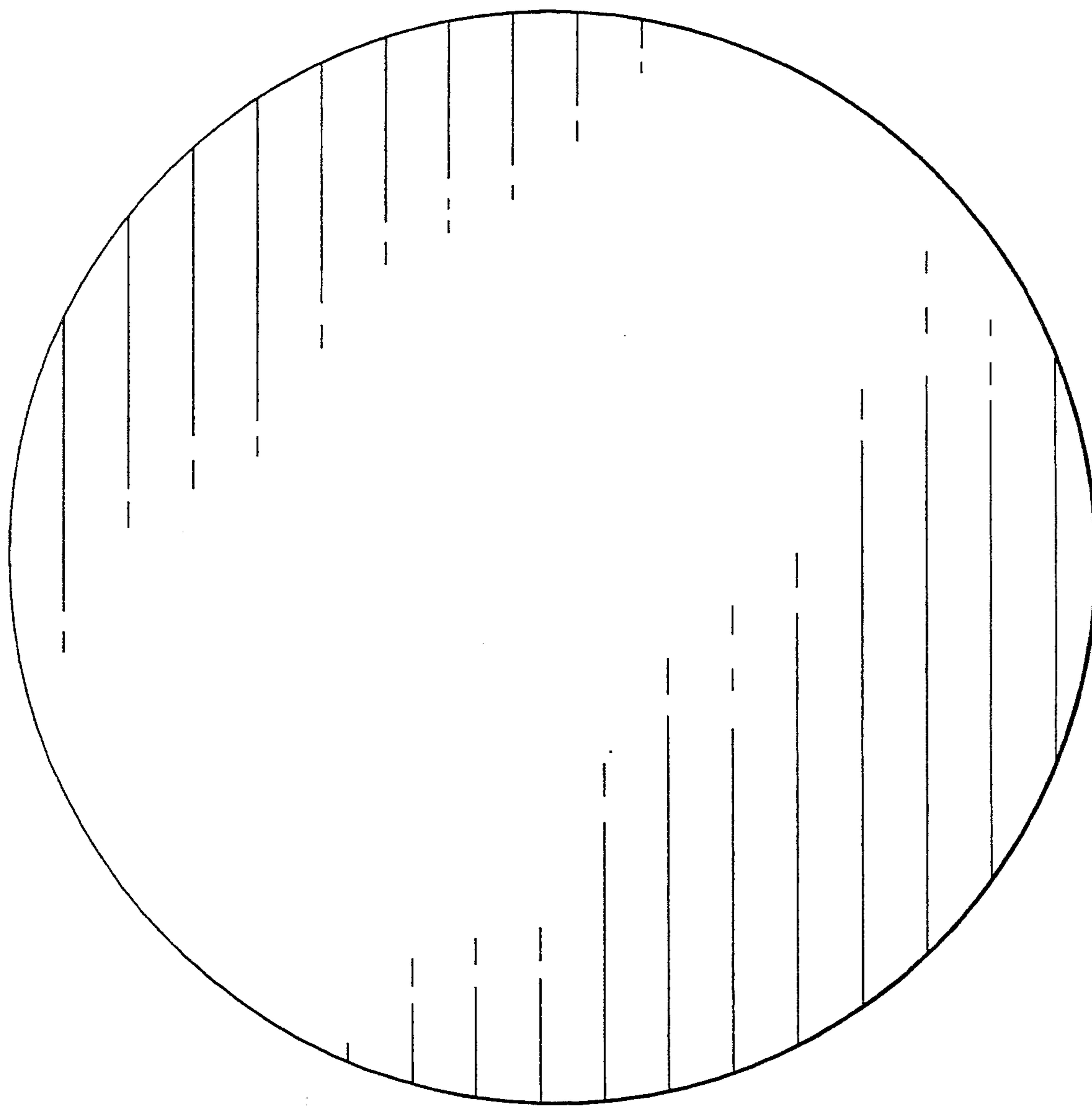


FIG. 12