



US00D355311S

# United States Patent [19]

Bergersen

[11] Patent Number: **Des. 355,311**

[45] Date of Patent: **\*\* Feb. 14, 1995**

[54] **ADJUSTABLE BED FRAME**

[76] Inventor: **Øivind Bergersen**, Kleiva 20, N-1800 Askim, Norway

[\*\*] Term: **14 Years**

[21] Appl. No.: **10,700**

[22] Filed: **Jul. 14, 1993**

[30] **Foreign Application Priority Data**

Mar. 10, 1993 [NO] Norway ..... 930195

[52] U.S. Cl. .... **D6/392; D6/382**

[58] Field of Search ..... **D6/382-388, D6/390-395; 5/633, 634**

[56] **References Cited**

**U.S. PATENT DOCUMENTS**

- 2,722,693 11/1955 Wolf ..... 5/280 X
- 2,769,486 11/1956 Rabinovitch et al. .... 5/634
- 3,237,215 3/1966 Fried ..... 5/633 X
- 4,081,869 4/1978 Ash ..... 5/101 X

**FOREIGN PATENT DOCUMENTS**

0782991 9/1957 United Kingdom ..... 5/634

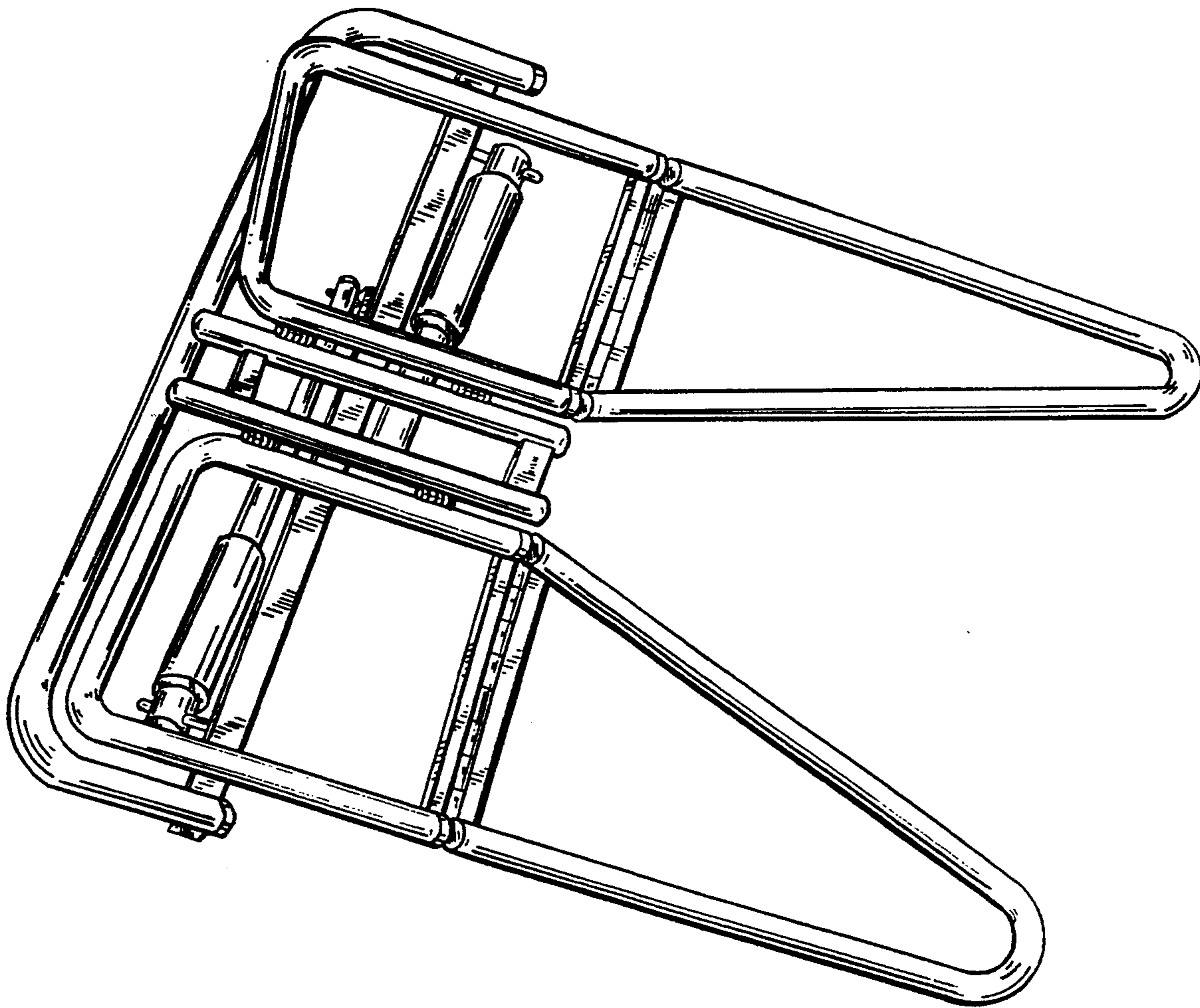
*Primary Examiner*—Janice E. Seeger  
*Attorney, Agent, or Firm*—Young & Thompson

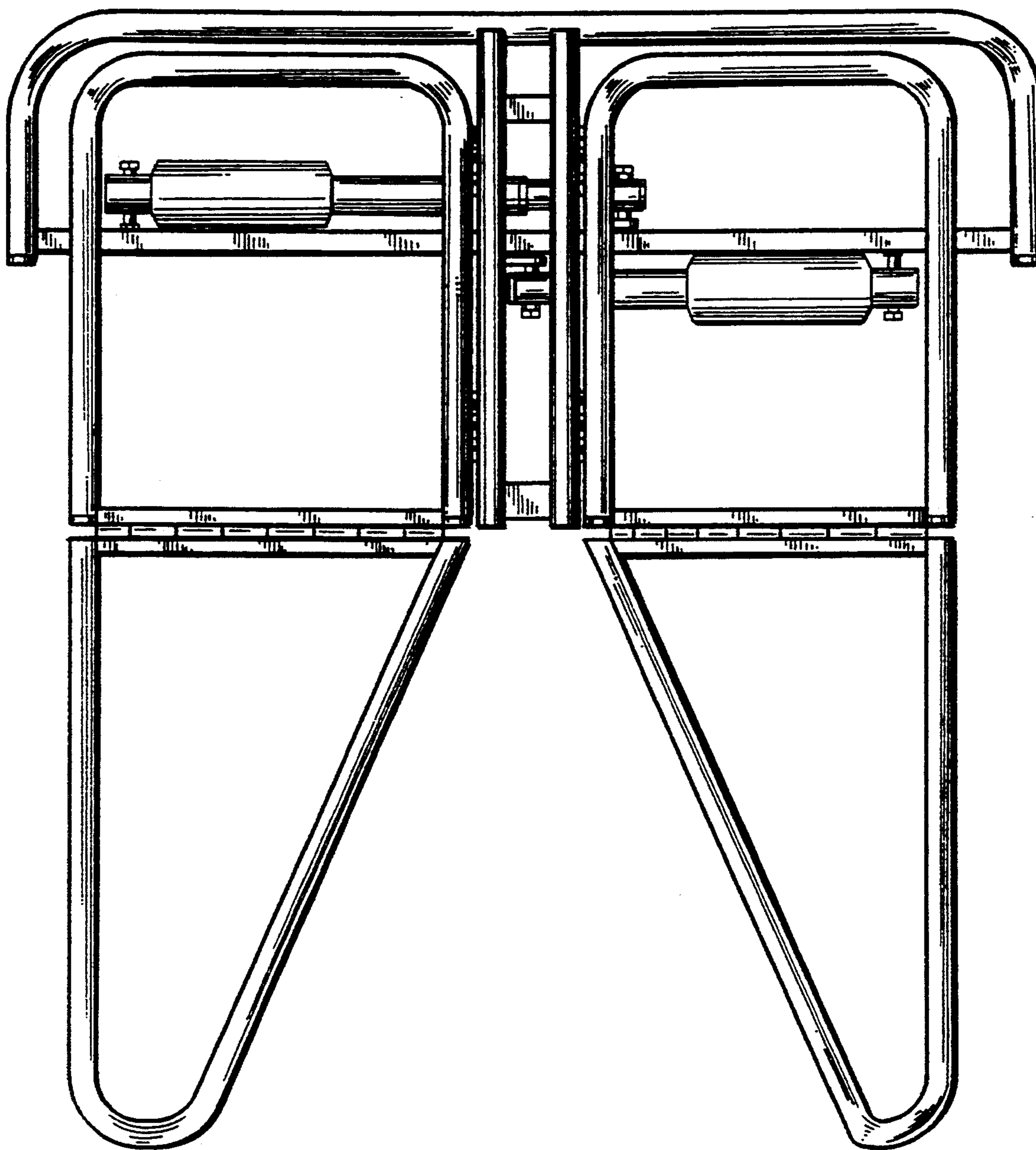
[57] **CLAIM**

The ornamental design for a adjustable bed frame, as shown.

**DESCRIPTION**

FIG. 1 is a top plan view of a adjustable bed frame, showing my new design;  
 FIG. 2 is a bottom plan view thereof;  
 FIG. 3 is an end elevational view thereof from the bottom of FIG. 1;  
 FIG. 4 is an end elevational view thereof from the top of FIG. 1;  
 FIG. 5 is a side elevational view thereof from the left of FIG. 3;  
 FIG. 6 is a side elevational view thereof from the right of FIG. 3; and,  
 FIG. 7 is a perspective view thereof.





*FIG. 1*

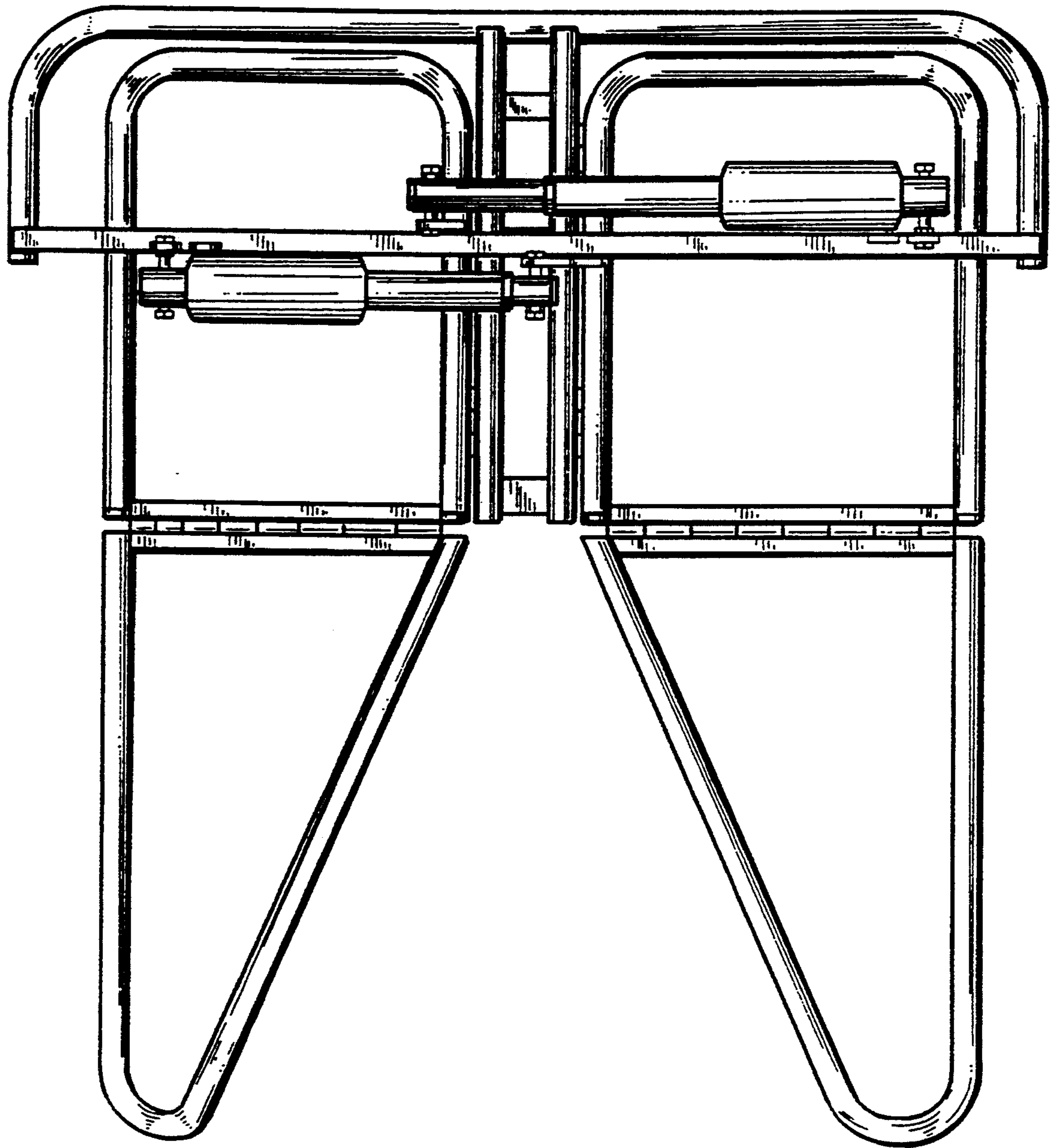
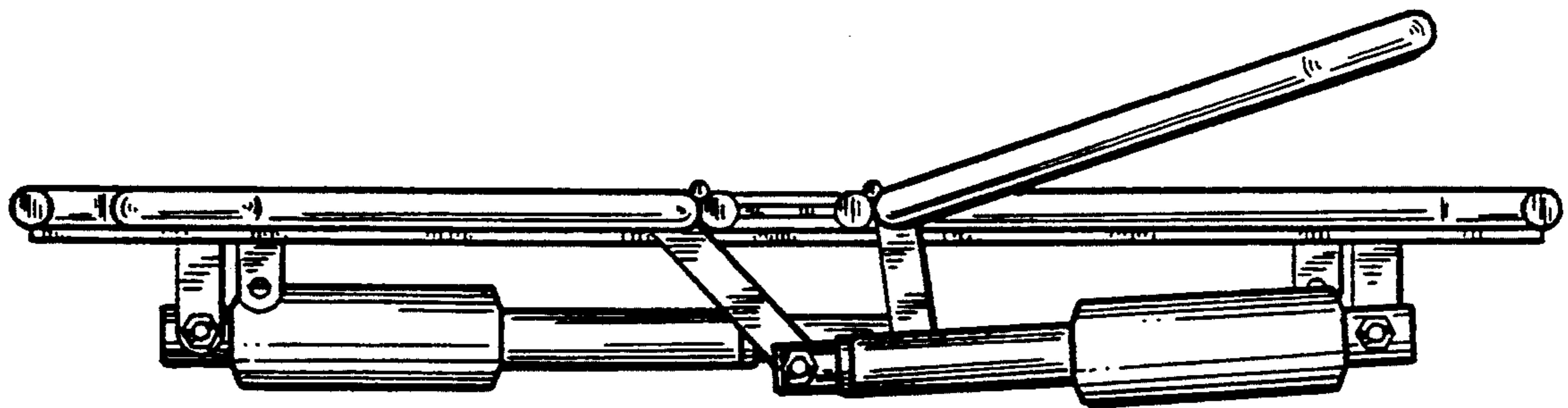
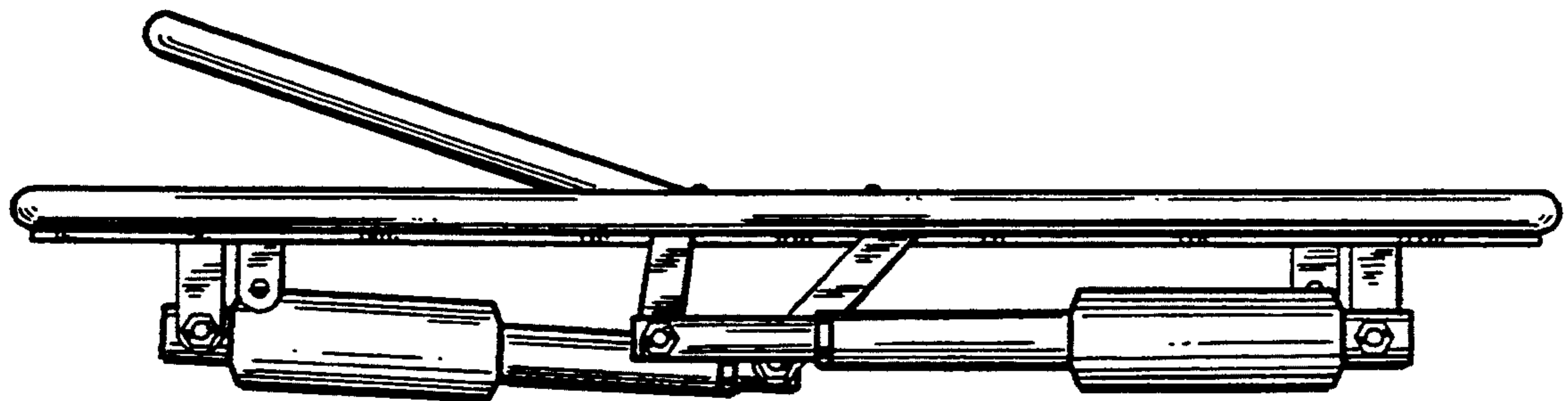


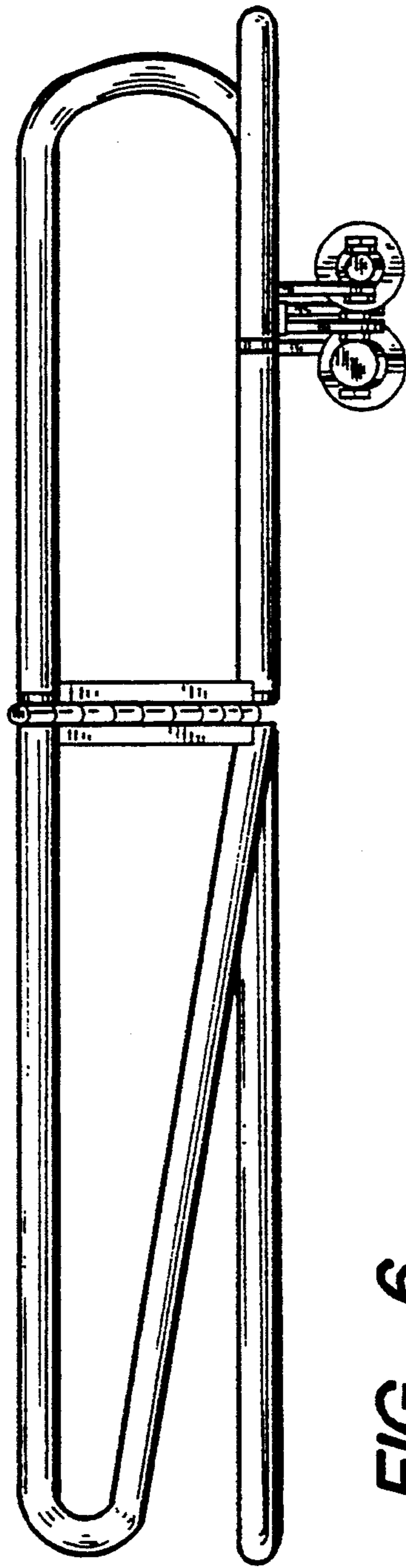
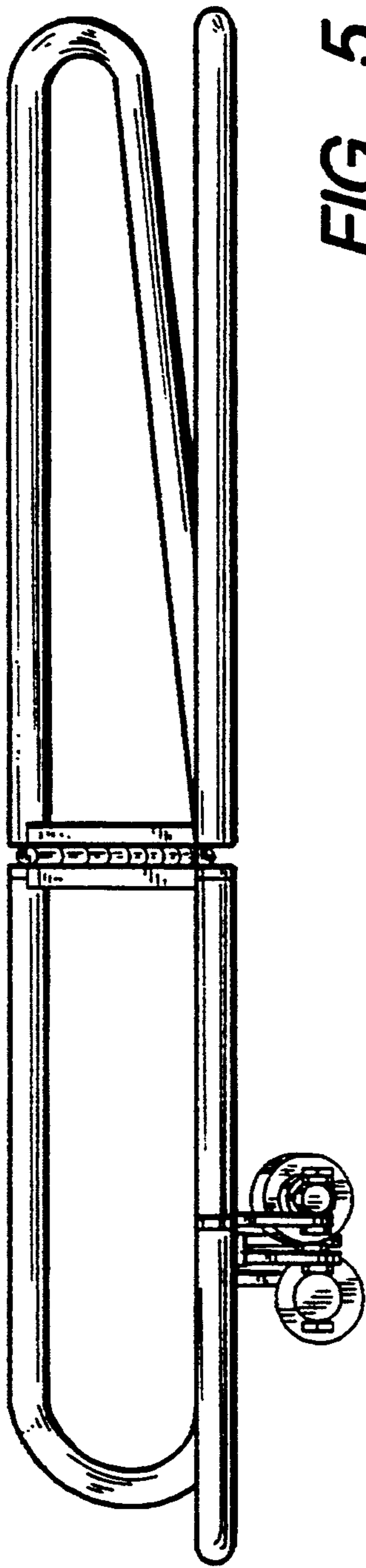
FIG. 2



*FIG. 3*



*FIG. 4*



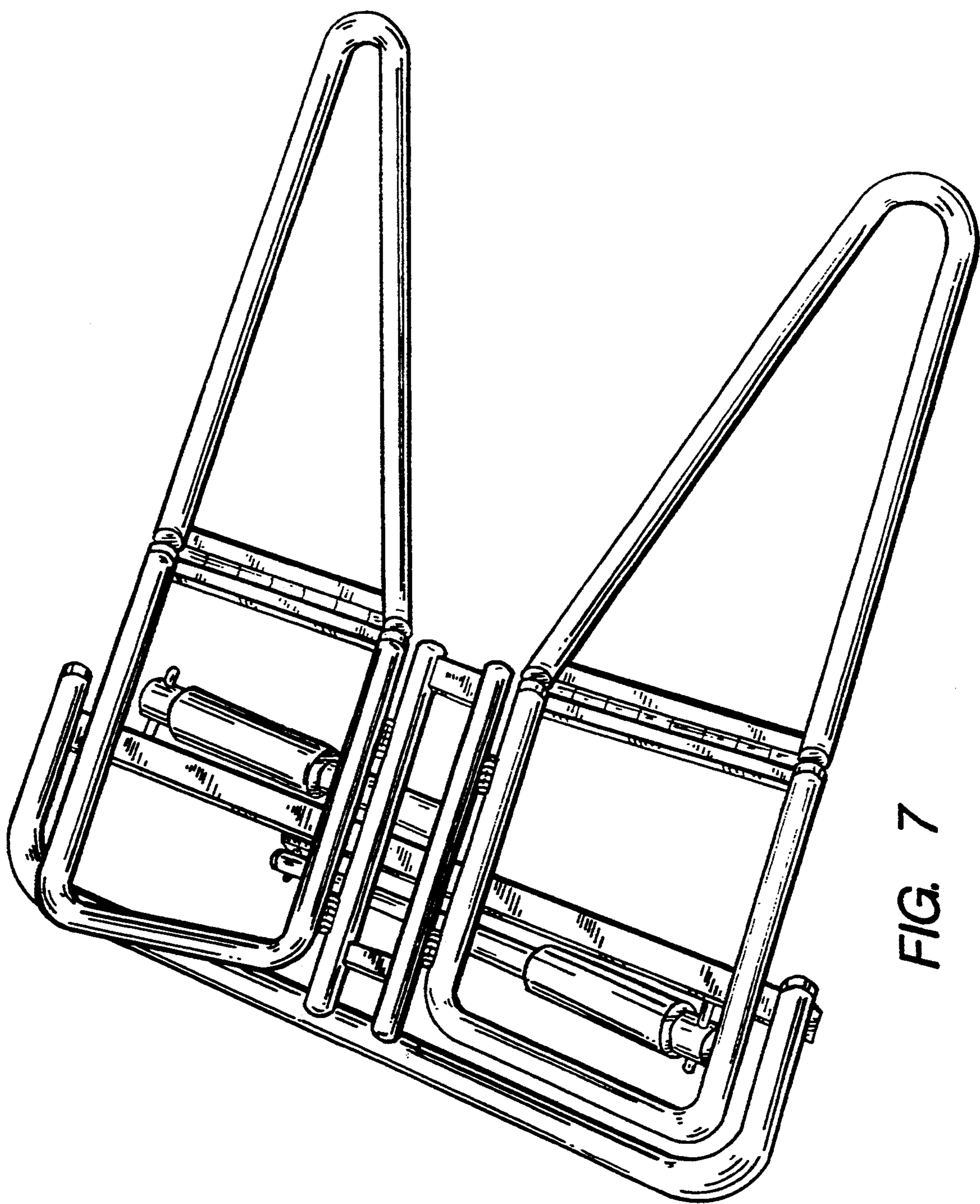


FIG. 7