



US00D355310S

United States Patent [19] Walker

[11] Patent Number: **Des. 355,310**

[45] Date of Patent: **** Feb. 14, 1995**

[54] **CHILD'S COT**
[76] Inventor: **Leon Walker**, 4819 S. Greenwood Ave., Chicago, Ill. 60615

4,435,864 3/1984 Callaway 5/455 X
4,530,123 7/1985 Mathou .
4,879,774 11/1989 Sanders .
5,003,649 4/1991 Kelly .

[**] Term: **14 Years**

[21] Appl. No.: **18,153**

[22] Filed: **Jan. 31, 1994**

Related U.S. Application Data

[63] Continuation of Ser. No. 4,470, Feb. 5, 1993, abandoned.

[52] U.S. Cl. **D6/382; D6/388**

[58] Field of Search **D6/388, 382, 596, 601, D6/604; 5/239, 448, 449, 900, 900.5, 110, 420, 455, 465; D30/108**

[56] References Cited

U.S. PATENT DOCUMENTS

- D. 182,957 6/1958 Harris et al. .
- D. 243,213 2/1977 Kormos .
- D. 244,815 6/1977 Snow D6/390
- D. 256,527 8/1980 Guetat D6/394
- D. 288,636 3/1987 McLaren .
- 3,097,368 7/1963 Collins .
- 4,153,958 5/1979 Paulik 5/465 X
- 4,234,977 11/1980 Snow .
- 4,234,978 11/1980 Snow .

OTHER PUBLICATIONS

Constructive Playthings, 1992 —Furniture —rest and relaxation (pp. 4–5).

Beckley-Cardy Quarterly, Apr. 1992 —Early Childhood —Products Highlights (p. 31).

Lake Shore Learning Materials, 1992 —Cots —Playlearn (p. 13).

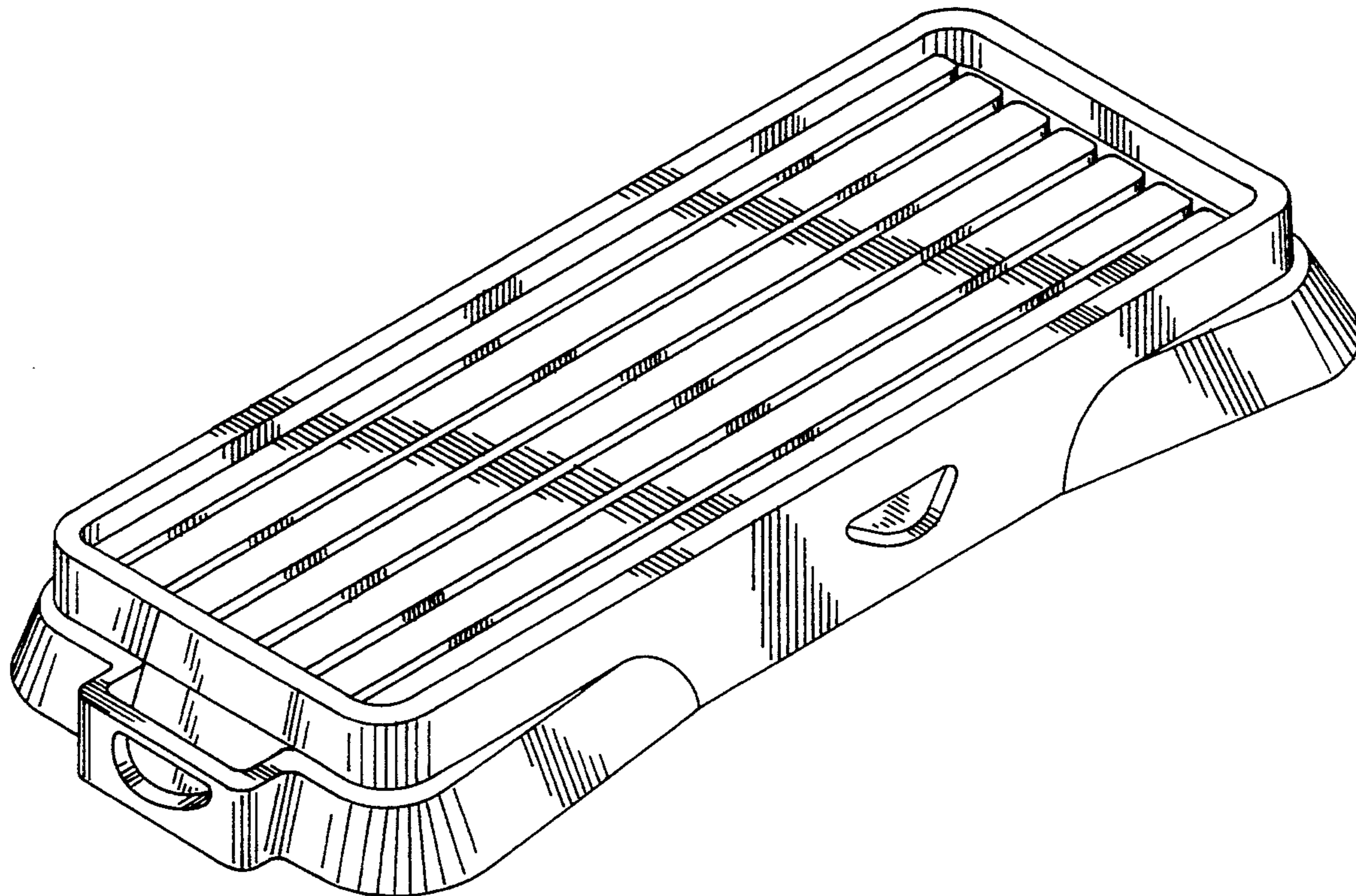
Primary Examiner—Janice E. Seeger
Attorney, Agent, or Firm—Patula & Associates

[57] CLAIM

The ornamental design for a child's cot, as shown,

DESCRIPTION

FIG. 1 is a perspective view of the invention;
FIG. 2 is a right side plan view of the invention of FIG. 1;
FIG. 3 is a top plan view of the invention of FIG. 1;
FIG. 4 is a left side plan view of the invention of FIG. 1;
FIG. 5 is a front plan view of the invention of FIG. 1;
FIG. 6 is a rear plan view of the invention of FIG. 1;
and,
FIG. 7 is a bottom plan view of the invention of FIG. 1.



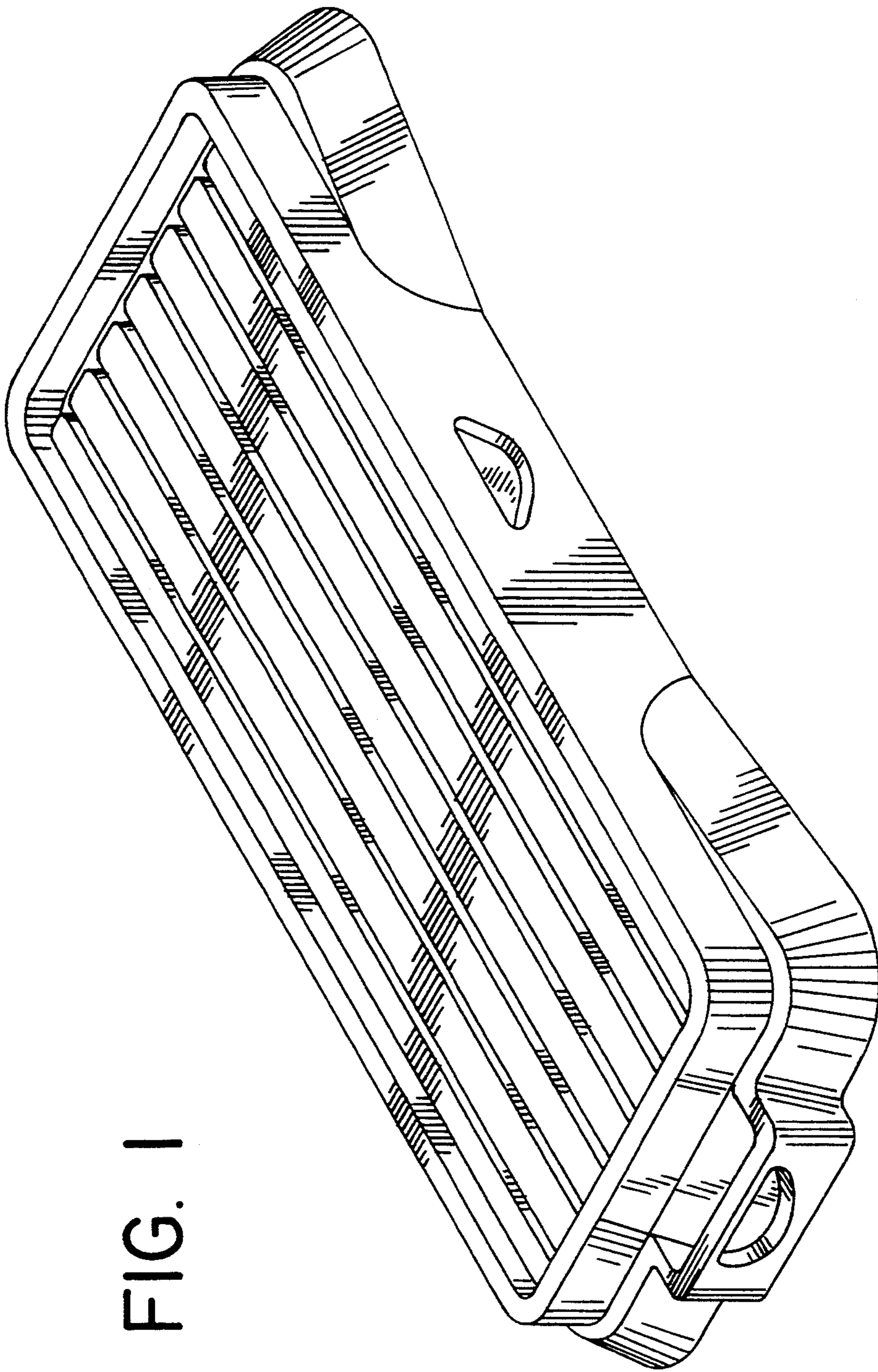


FIG. 1

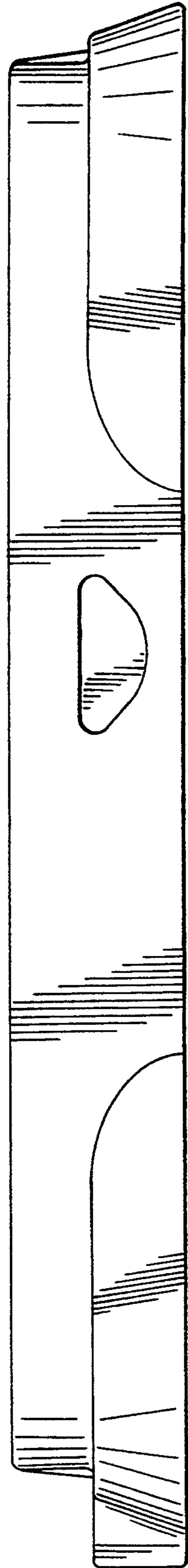


FIG. 2

FIG. 3

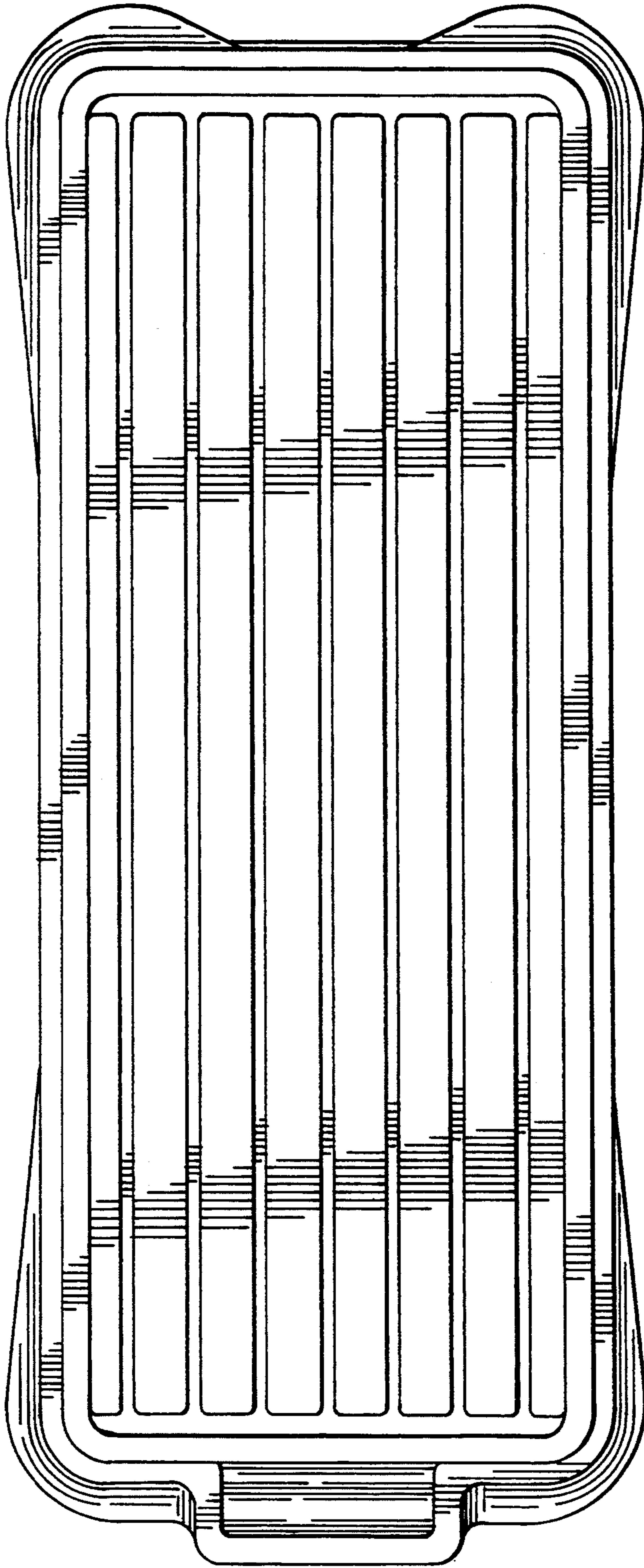


FIG. 4

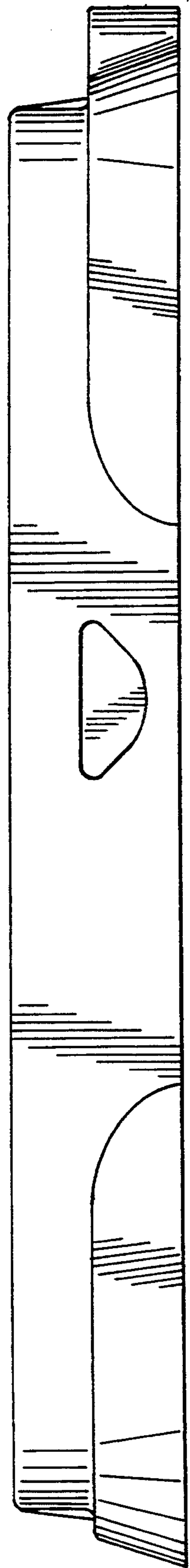


FIG. 5

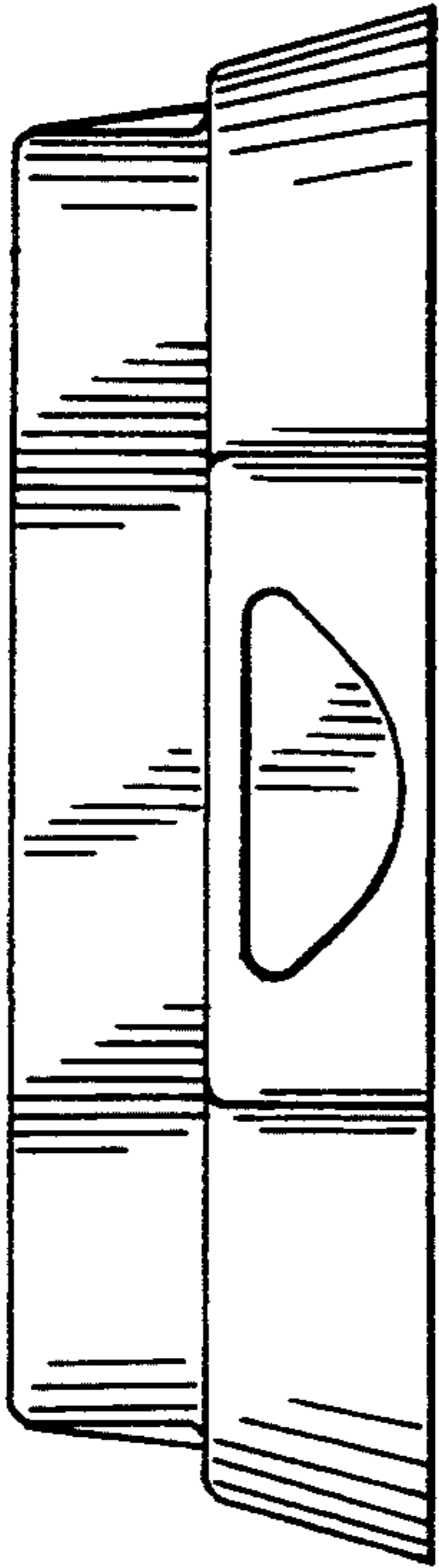


FIG. 6

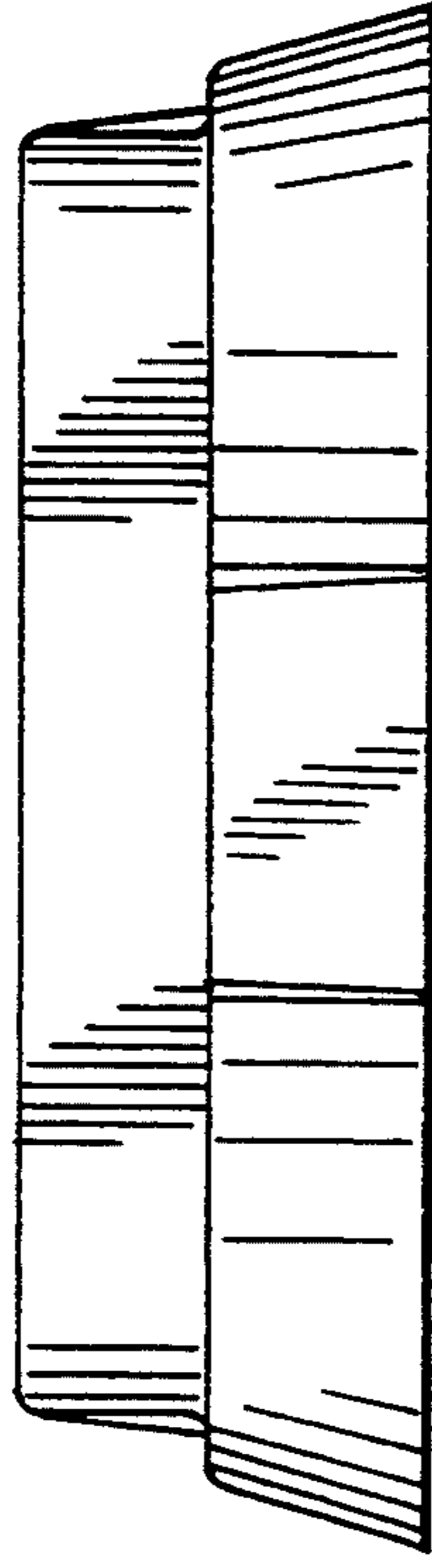


FIG. 7

