



US00D355303S

United States Patent [19]

[11] Patent Number: **Des. 355,303**

Scheper et al.

[45] Date of Patent: **** Feb. 14, 1995**

[54] CHAIR

[75] Inventors: **Robert M. Scheper**, Grand Rapids;
Dale M. Groendal, Jenison; **James E. Abraham**, Grandville; **Thomas R. Hahn**, Kentwood; **Cheryl D. Baumgartner**, East Grand Rapids; **Douglas A. Smith**, Grand Rapids; **Brian L. Scholten**, Jenison, all of Mich.

[73] Assignee: **Steelcase Inc.**, Grand Rapids, Mich.

[**] Term: **14 Years**

[21] Appl. No.: **8,030**

[22] Filed: **May 7, 1993**

[52] U.S. Cl. **D6/366**

[58] Field of Search **D6/334, 365, 366, 379, D6/500, 501, 502; 297/411.40, 411.44**

[56] **References Cited**

U.S. PATENT DOCUMENTS

D. 108,890	3/1938	Powell	D6/366
D. 249,205	9/1978	Spencer	.	
D. 250,231	11/1978	Wilson	.	
D. 255,293	6/1980	Locher	D6/366
D. 258,480	3/1981	Rowland	.	
D. 258,924	4/1981	Deschamps et al.	.	
D. 260,204	8/1981	Sapper	D6/366
D. 262,168	12/1981	Lustig	.	
D. 262,677	1/1982	Rowland	.	
D. 263,262	3/1982	Thygesen et al.	.	
D. 269,743	7/1983	Muller-Deisig	.	
D. 270,313	8/1983	Murry	.	
D. 272,781	2/1984	Ochsner	.	
D. 274,579	7/1984	Diffrient	.	
D. 274,675	7/1984	Diffrient	.	
D. 285,629	9/1986	Franck et al.	.	
D. 286,106	10/1986	Franck et al.	.	
D. 288,869	3/1987	Bitsch	D6/365
D. 292,655	11/1987	Hendrick	.	
D. 295,928	5/1988	Uredat	.	
D. 298,988	12/1988	Smith et al.	.	
D. 301,662	6/1989	Vonhausen	.	
D. 301,663	6/1989	Vonhausen	.	

D. 303,597	9/1989	Kaminski	.	
D. 305,183	12/1989	Carter et al.	.	
D. 308,605	6/1990	Uecker et al.	.	
D. 312,176	11/1990	Heidmann	.	
D. 317,097	5/1991	Vogtherr et al.	.	
D. 319,739	9/1991	Narita	.	
D. 323,078	1/1992	Edwards	.	
D. 326,783	6/1992	Piretti	.	
D. 326,788	6/1992	Edwards	.	
D. 328,395	8/1992	Neuser	D6/366
D. 330,119	10/1992	Armgaradt	.	
D. 331,154	11/1992	Sheridan	.	
D. 336,722	6/1993	Fahnstrom et al.	D6/366
D. 339,927	10/1993	Fahnstrom et al.	D6/366
D. 341,260	11/1993	Fahnstrom et al.	D6/366

OTHER PUBLICATIONS

Abitare Supplement, Mar. 1979, p. 26, chair at top left. Article entitled "Rose Johnson Ready to Unveil its First Line of Office Chairs", by Nancy Crawley, *The Grand Rapids Press*, Dec. 3, 1992.

Primary Examiner—Alan P. Douglas
Assistant Examiner—Gary D. Watson
Attorney, Agent, or Firm—Price, Heneveld, Cooper, DeWitt & Litton

[57] **CLAIM**

The ornamental design for a chair, as shown and described.

DESCRIPTION

FIG. 1 is a front perspective of a chair showing our new design;
FIG. 2 is a front view thereof;
FIG. 3 is a right side view thereof;
FIG. 4 is a left side view thereof;
FIG. 5 is a rear view thereof;
FIG. 6 is a top view thereof;
FIG. 7 is a bottom view thereof;
FIG. 8 is a perspective view of a chair showing an alternative embodiment of our new design;
FIG. 9 is a front view of the alternative embodiment; and,
FIG. 10 is a side view of the alternative embodiment.



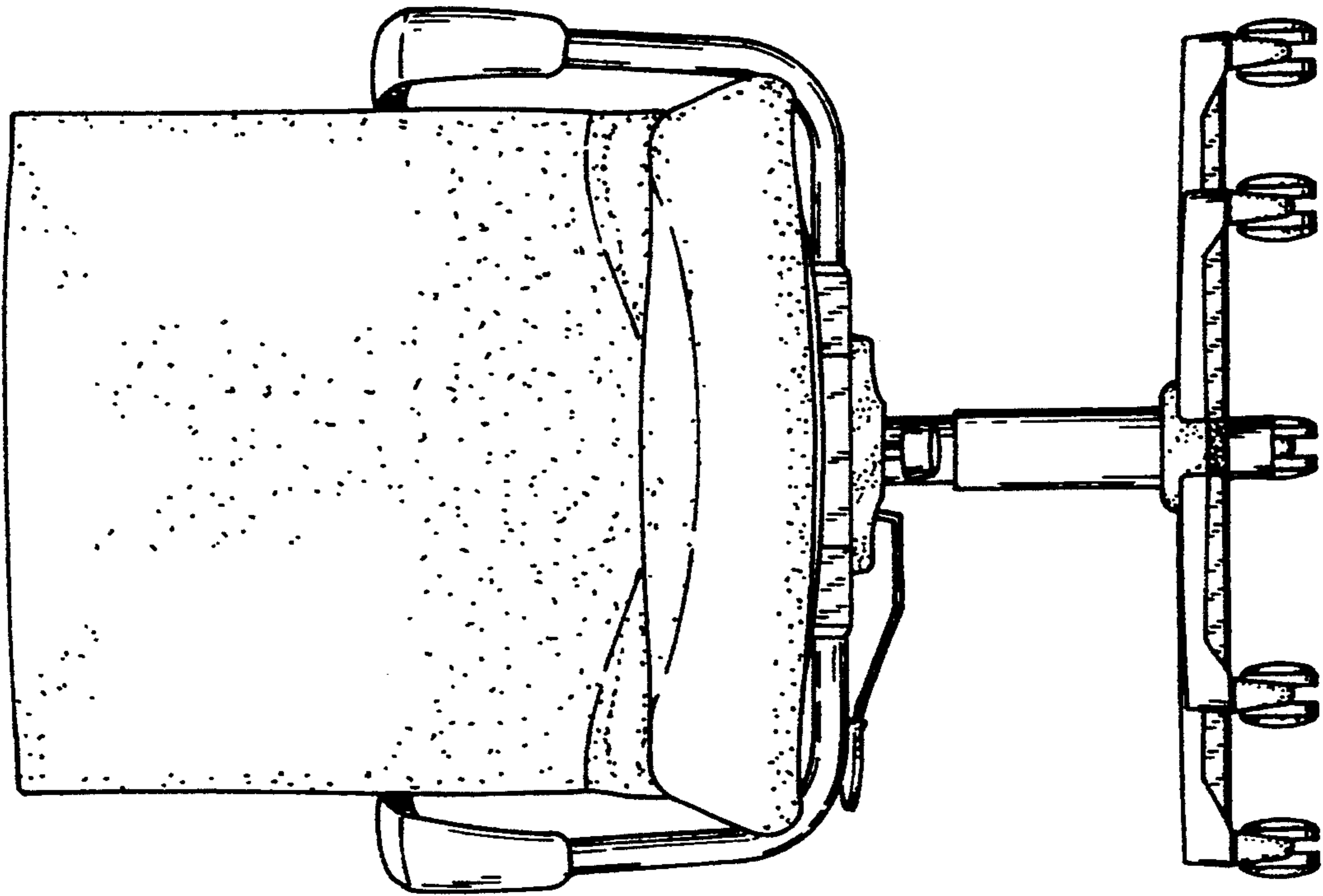


FIG. 2

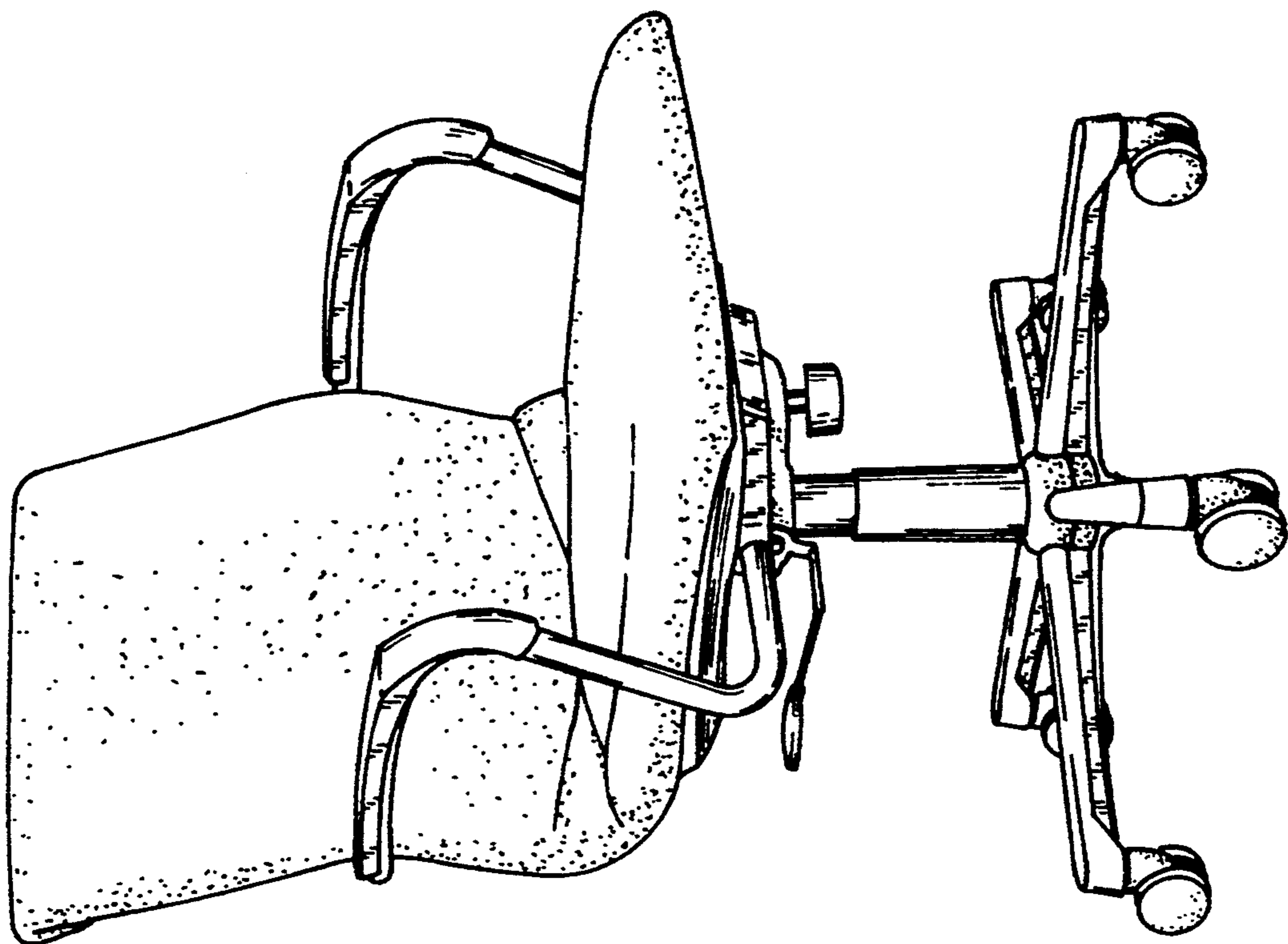


FIG. 1

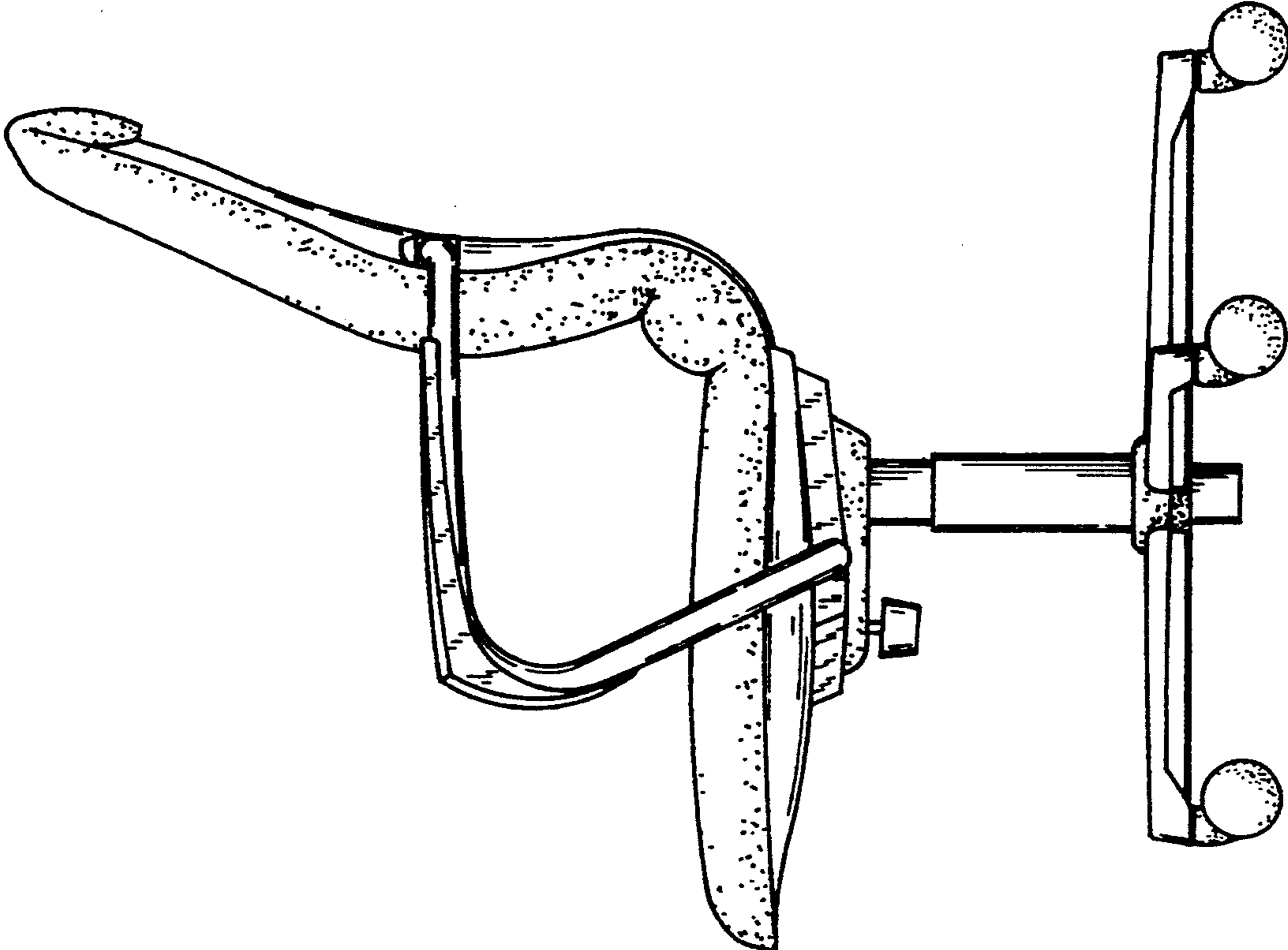


FIG. 4

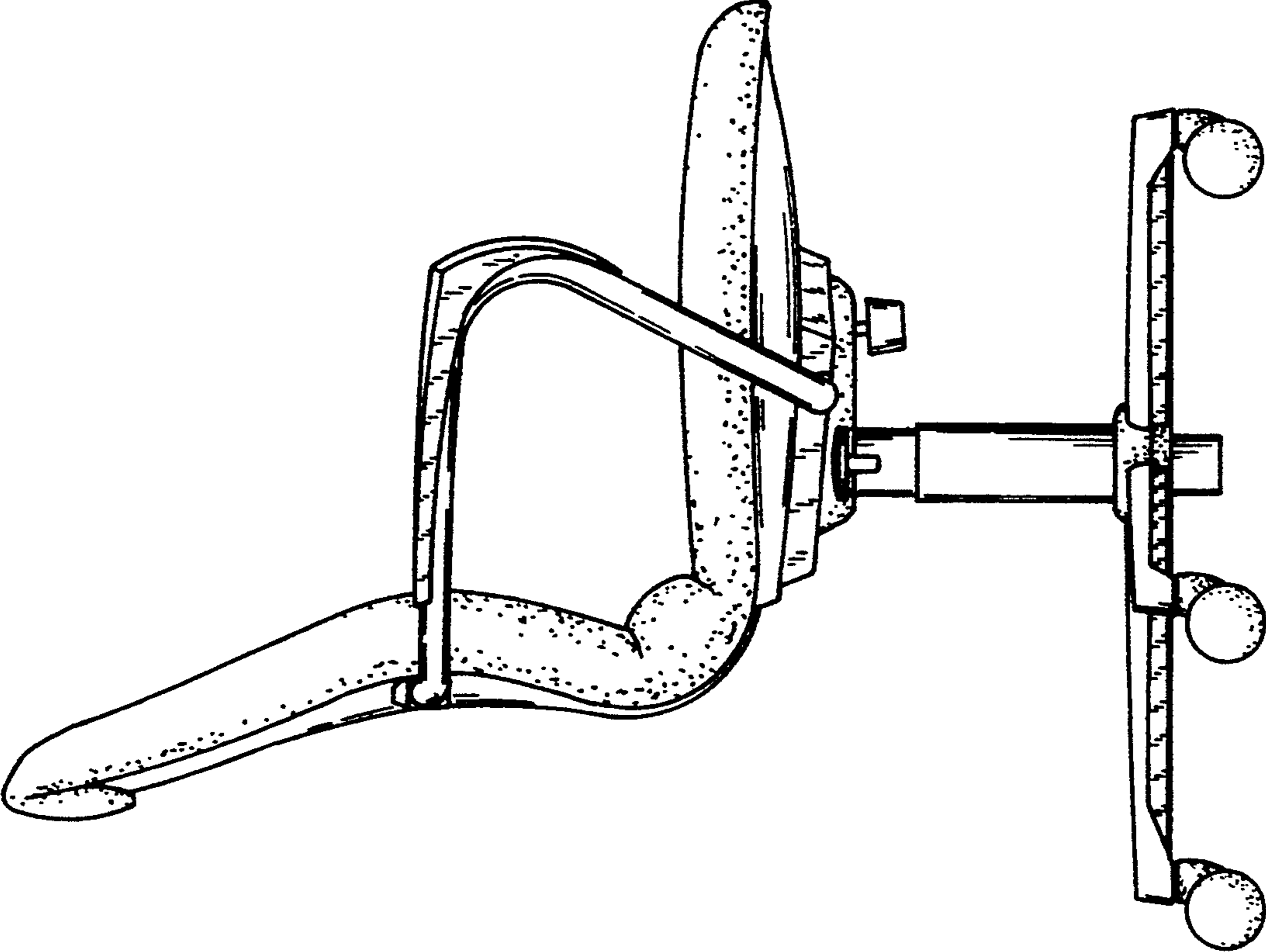


FIG. 3

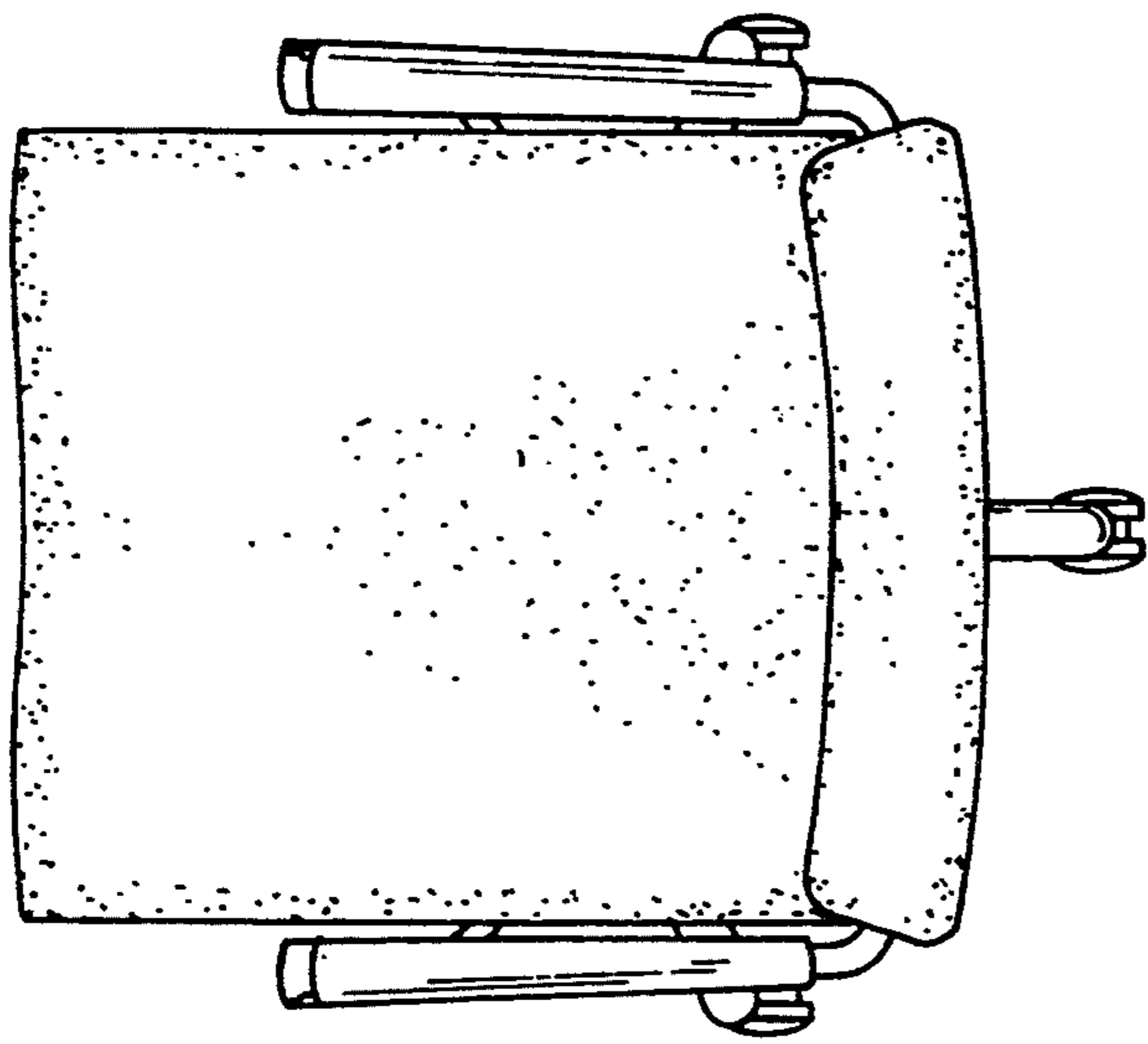


FIG. 6

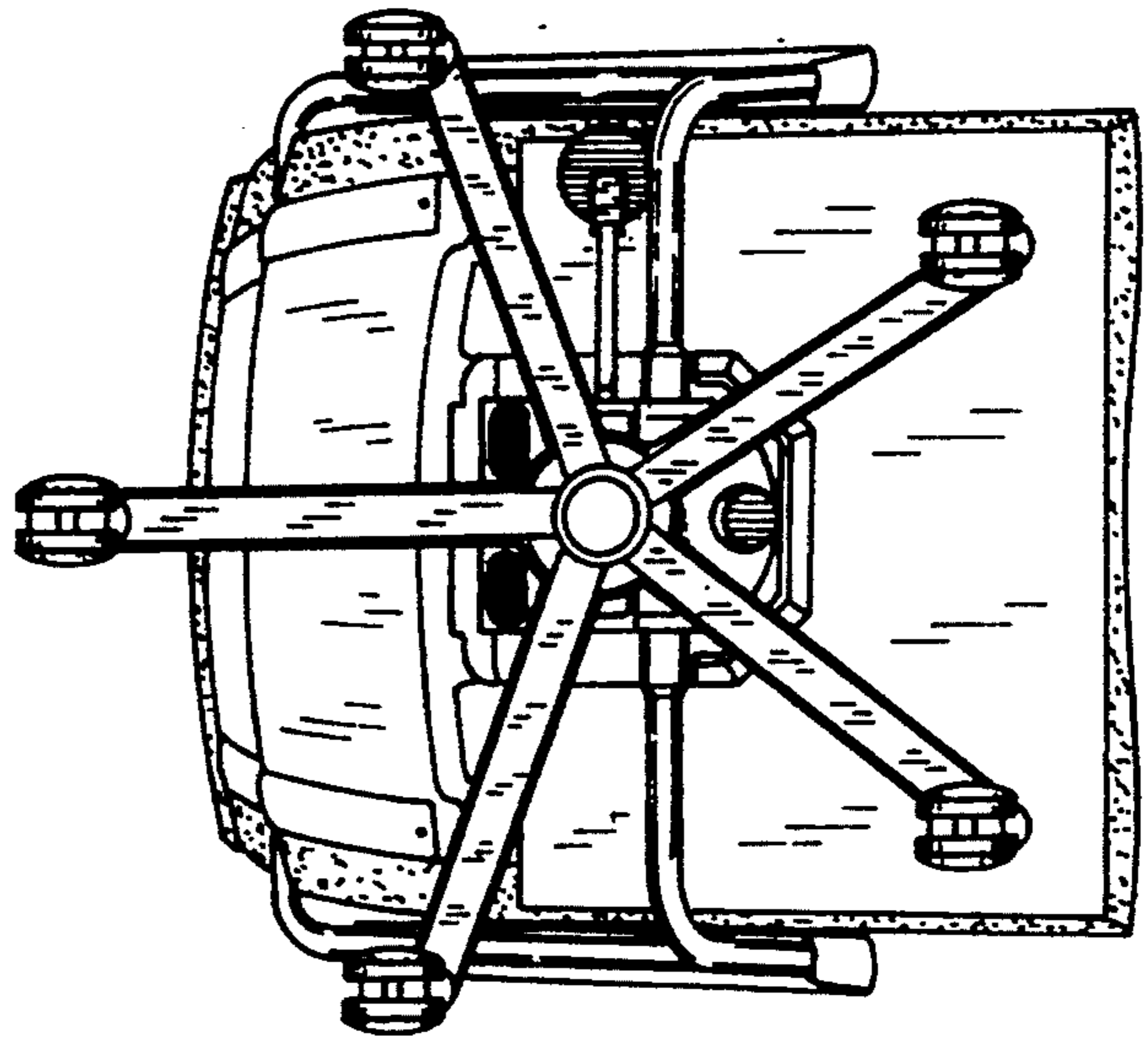


FIG. 7

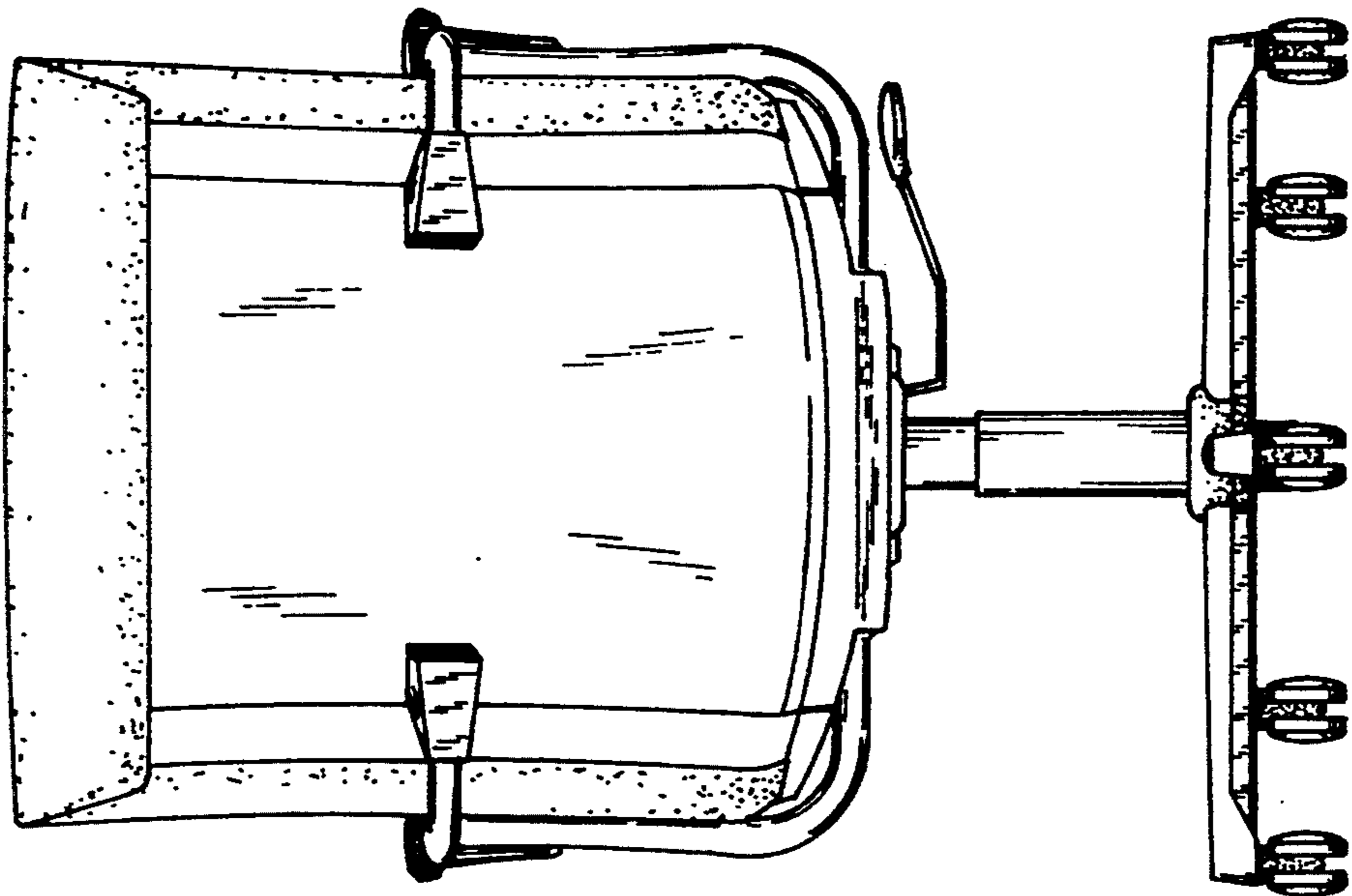


FIG. 5

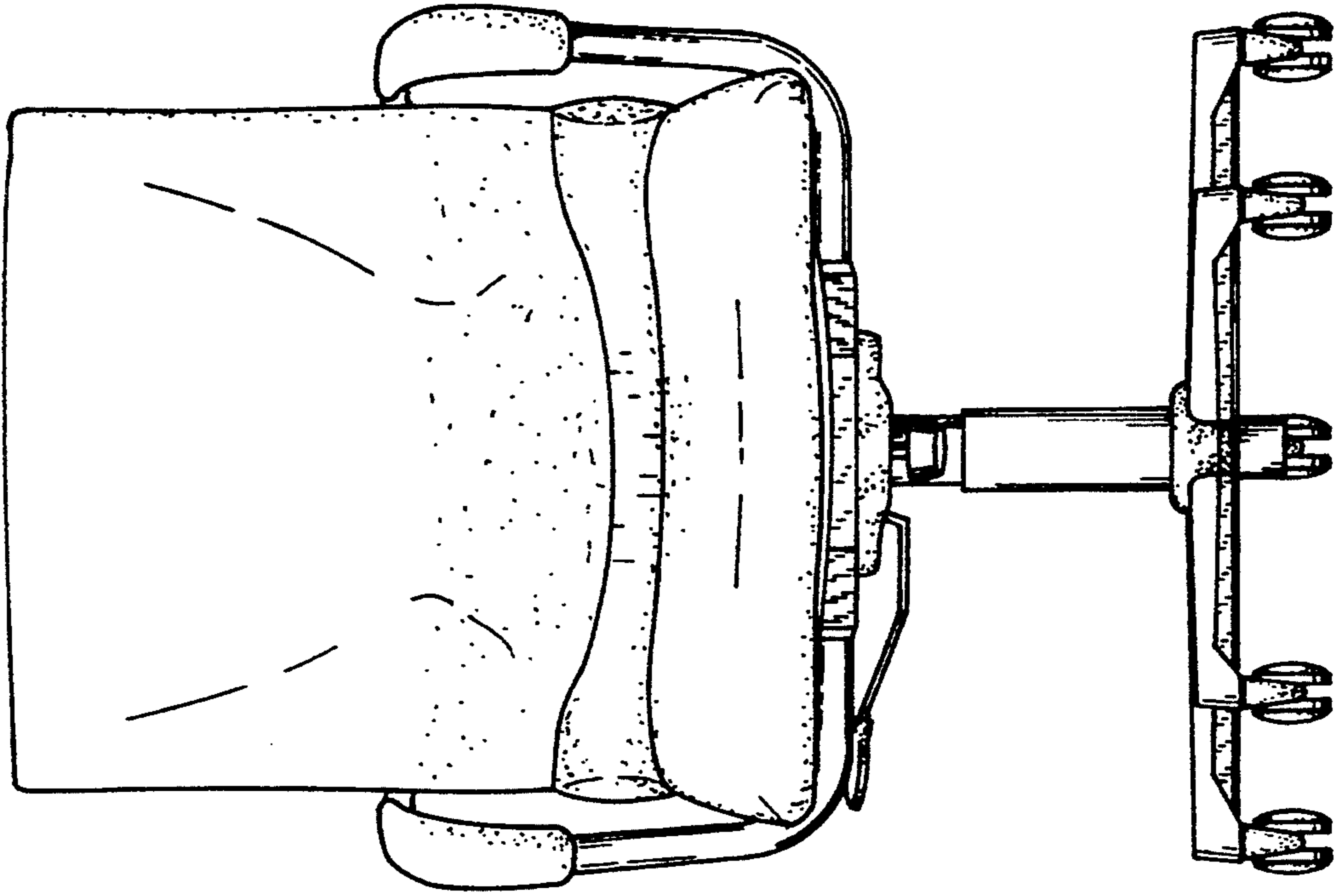


FIG. 9

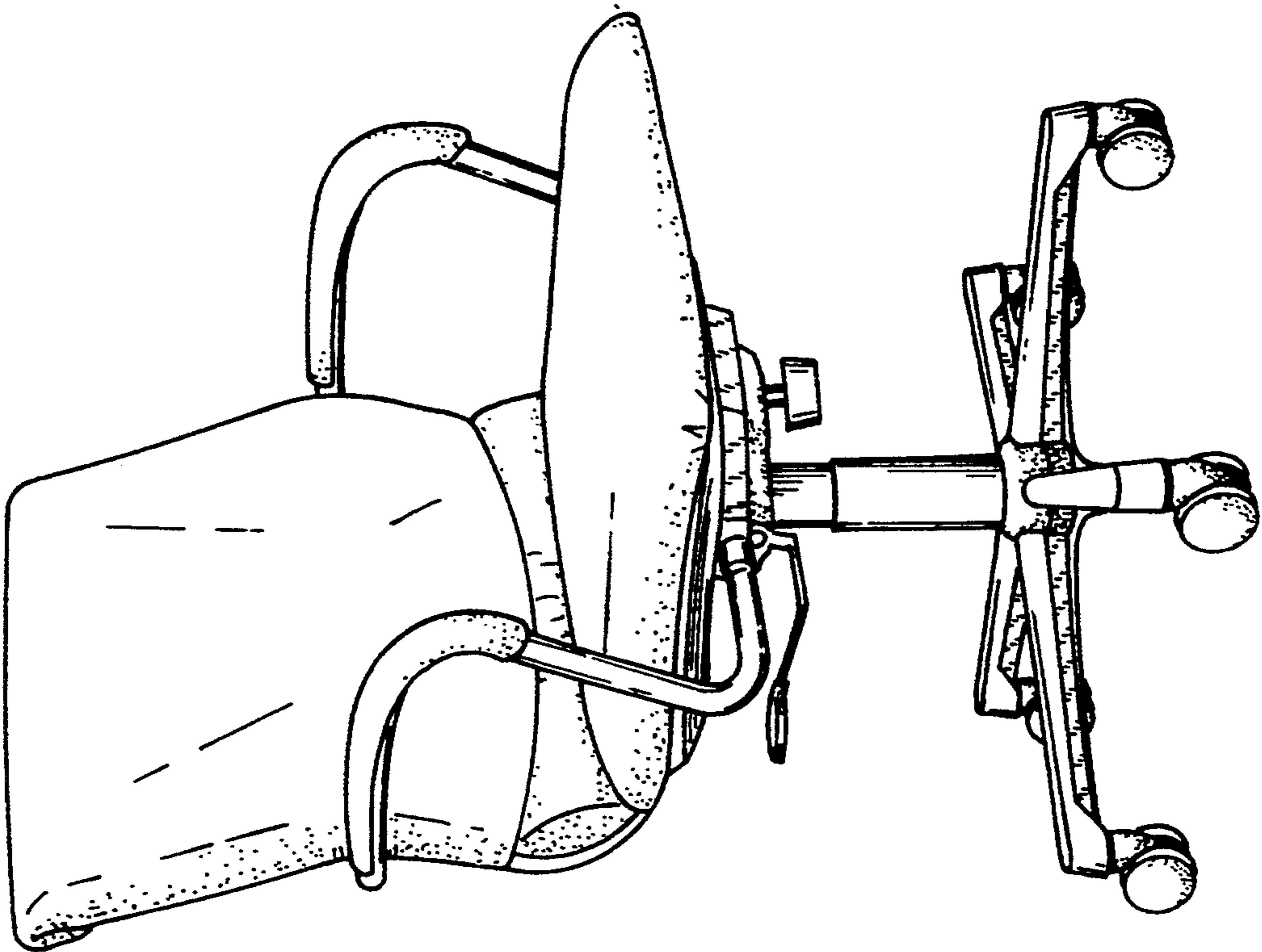


FIG. 8

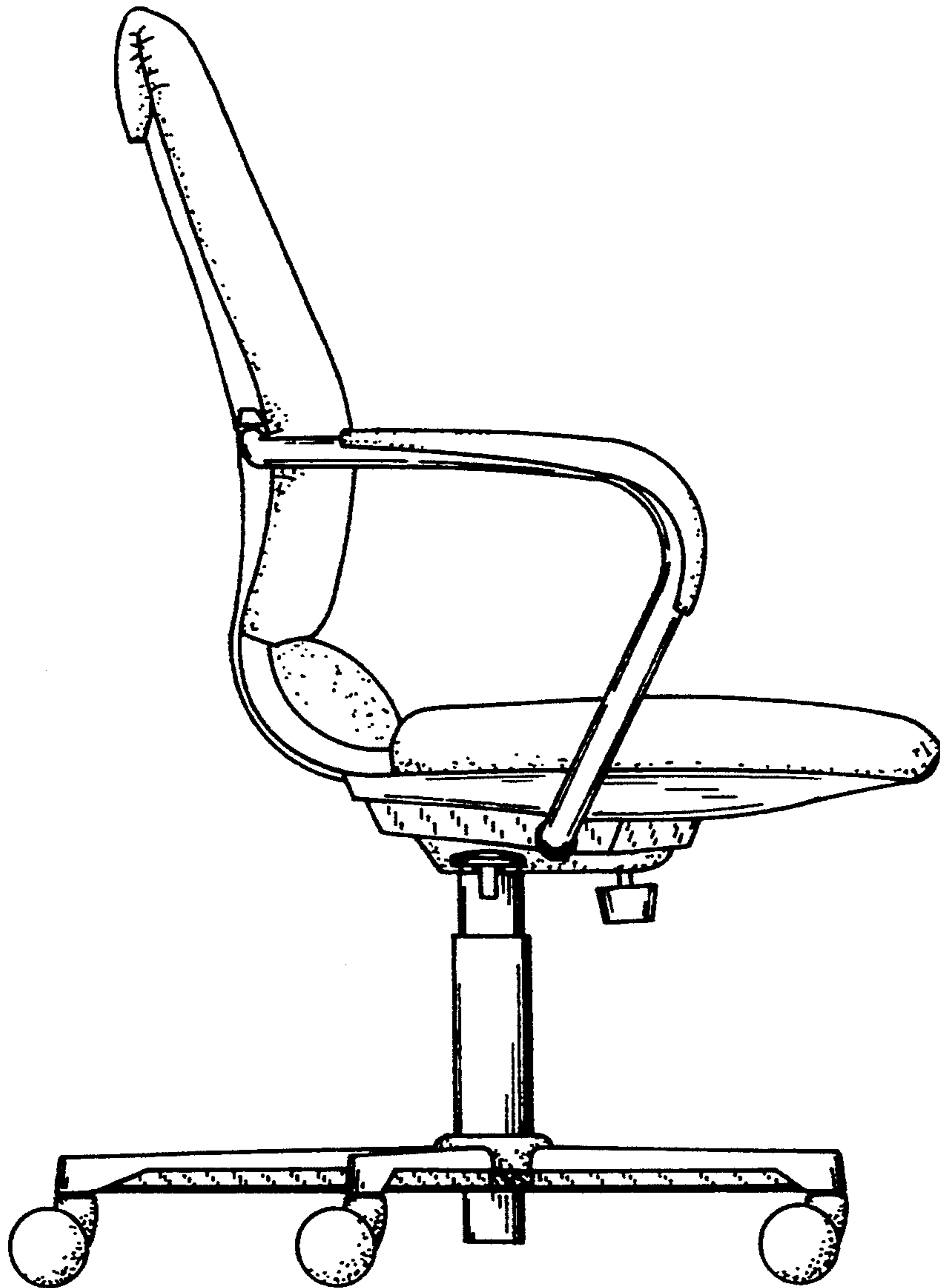


FIG. 10