



US00D355302S

# United States Patent [19]

[11] Patent Number: **Des. 355,302**

Eva et al.

[45] Date of Patent: **\*\* Feb. 14, 1995**

[54] **REMOTE CONTROL COVER**

[76] Inventors: **Shawn R. Eva**, 1263 E. Crystal Ave., Salt Lake City, Utah 84106; **Myron R. McCallister, III**, 3635 S. Mannway, West Valley City, Utah 84120

D. 319,177 8/1991 Dungjen ..... D9/305  
D. 320,714 10/1991 Singley ..... D3/218 X  
D. 344,015 2/1994 Jacobson ..... D3/247 X

*Primary Examiner*—A. Hugo Word  
*Assistant Examiner*—Doris V. Coles  
*Attorney, Agent, or Firm*—M. Reid Russell

[\*\*] Term: **14 Years**

[57] **CLAIM**

[21] Appl. No.: **3,938**

The ornamental design for a remote control cover, as shown and described.

[22] Filed: **Jan. 21, 1993**

**DESCRIPTION**

[52] U.S. Cl. .... **D3/299; D3/218**

[58] Field of Search ..... D3/218, 299, 201, 247, D3/243, 11, 300, 303, 227; 224/252, 253; D14/218, 251, 253; D9/305, 415

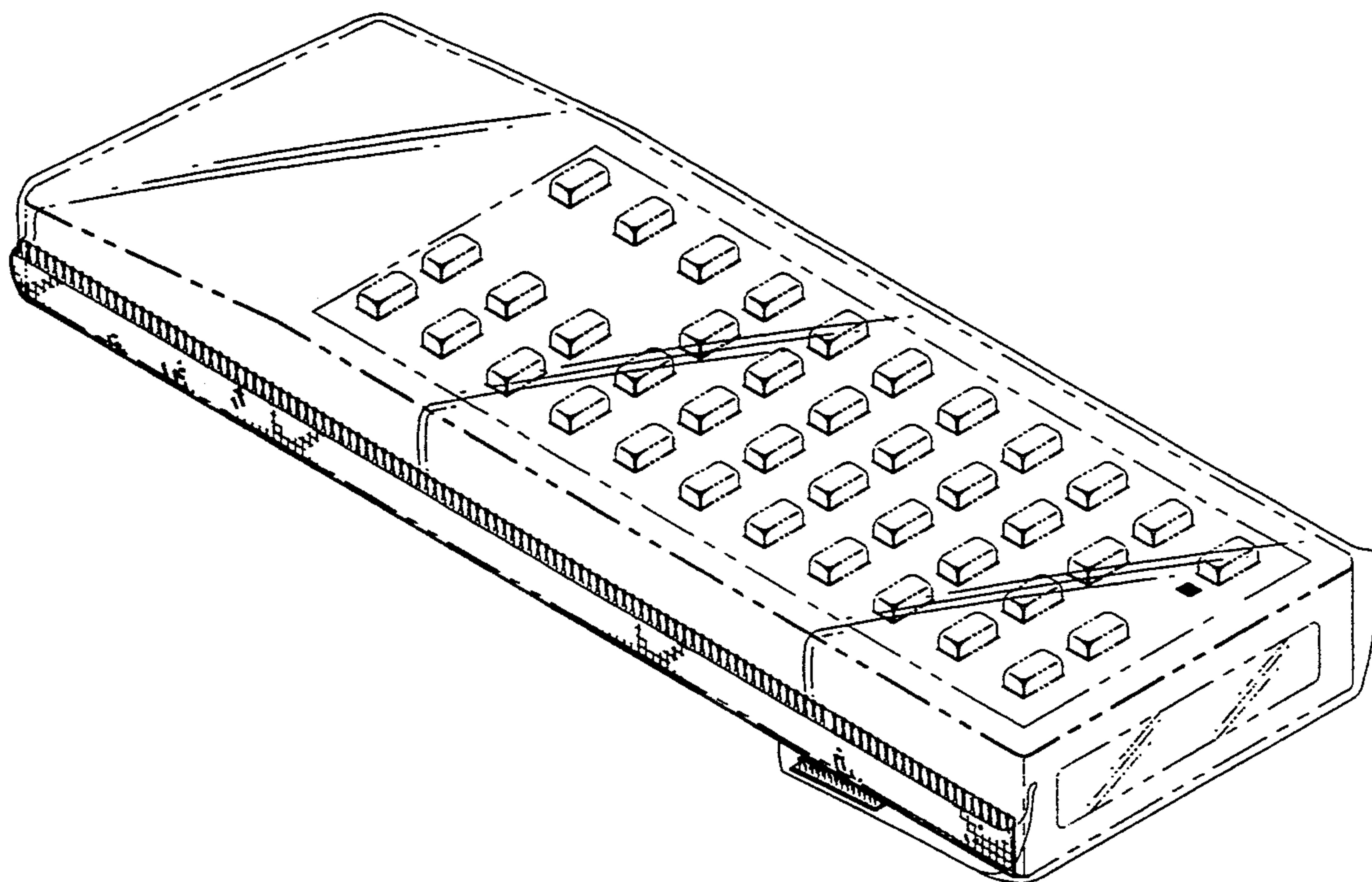
FIG. 1 is a perspective view of a remote control cover, showing our new design;  
FIG. 2 is a left side elevation view thereof, the right side elevation view being a mirror image thereof;  
FIG. 3 is a rear end elevation view thereof;  
FIG. 4 is a forward end elevation view thereof;  
FIG. 5 is a top plan view thereof; and,  
FIG. 6 is a bottom plan view thereof.

[56] **References Cited**

**U.S. PATENT DOCUMENTS**

D. 159,556 8/1950 Soltz ..... D9/305  
D. 265,020 6/1982 Siltan ..... D3/303 X  
D. 267,290 12/1982 Kurozumi ..... D3/303  
D. 280,863 10/1985 Leath ..... D3/218

The broken line showing of TV/VCR remote control in FIG. 1 is for illustrative purposes only and forms no part of the claimed design.



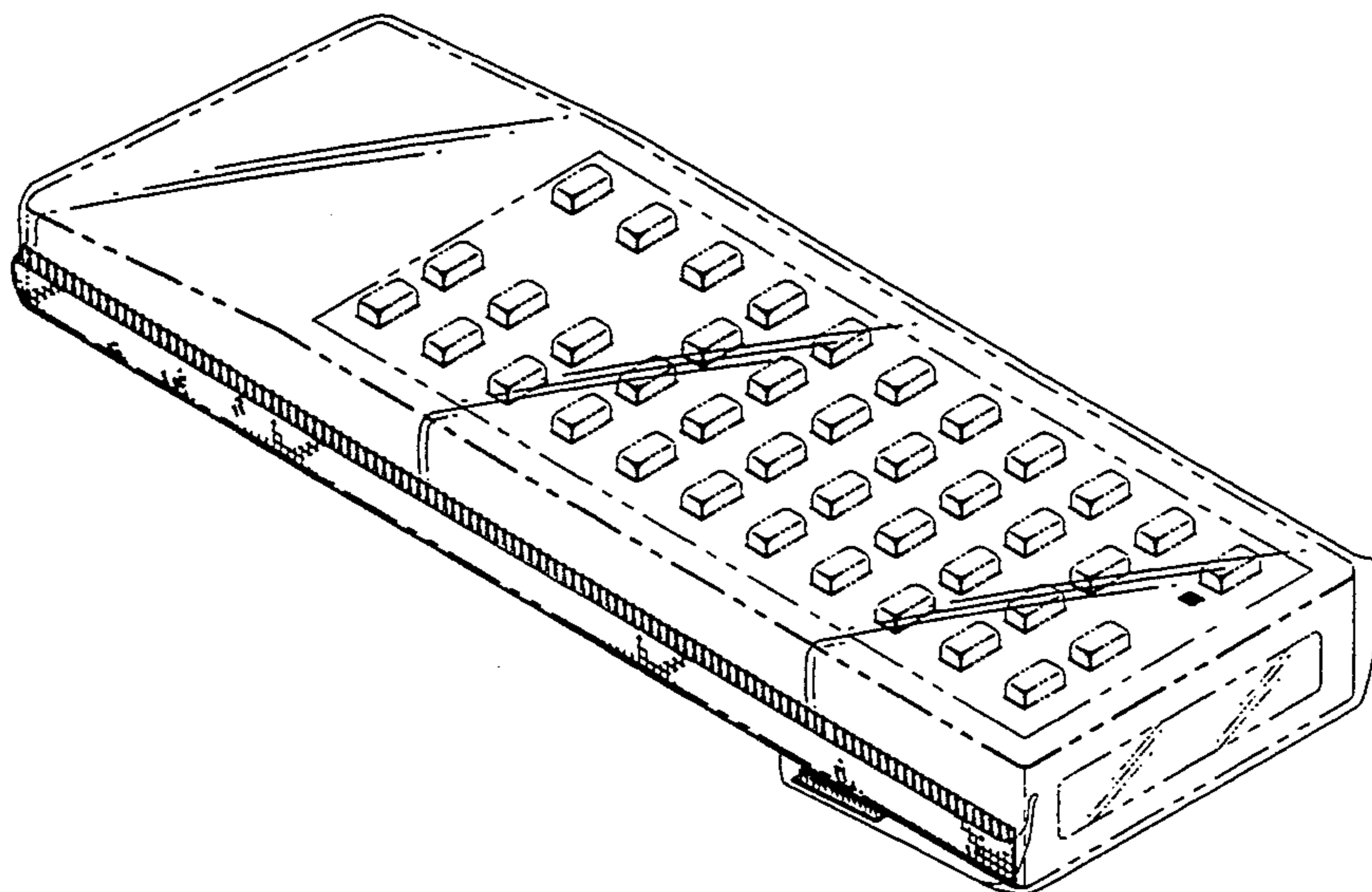


FIG. 1



FIG. 2



FIG. 3



FIG. 4

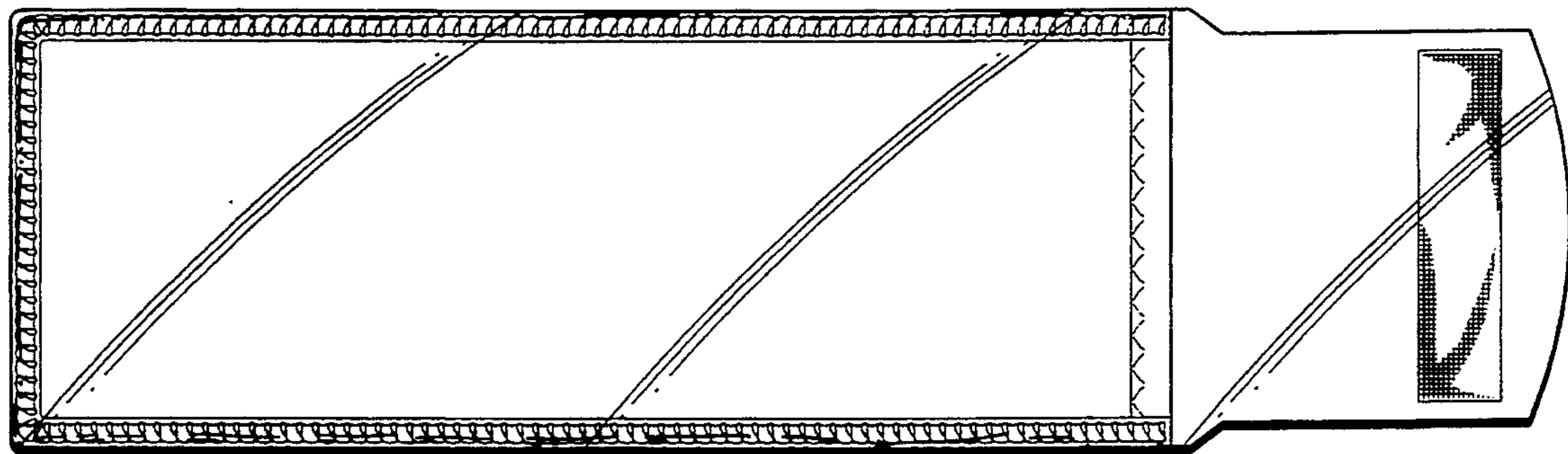


FIG. 5

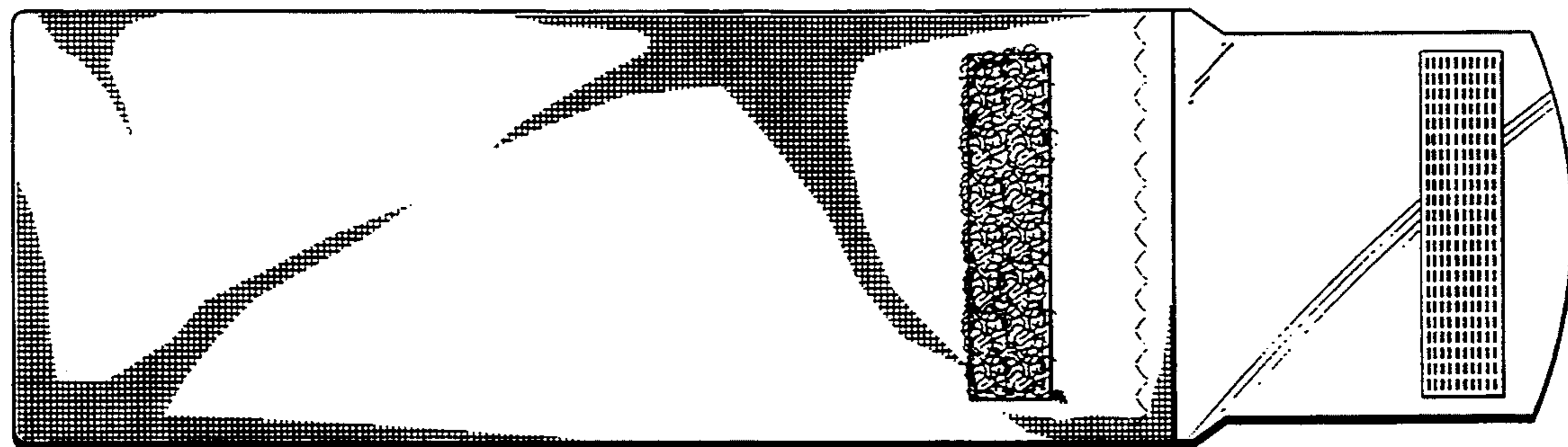


FIG. 6