



US00D355299S

# United States Patent [19]

[11] Patent Number: Des. 355,299

Lowden

[45] Date of Patent: \*\* Feb. 14, 1995

- [54] COMPARTMENTED CARRYING CASE
- [76] Inventor: James E. Lowden, P.O. Box 8148,  
Tyler, Tex. 75711
- [\*\*] Term: 14 Years
- [21] Appl. No.: 11,058
- [22] Filed: Jul. 26, 1993
- [52] U.S. Cl. .... D3/276; D3/288;  
D3/291; D3/283
- [58] Field of Search ..... D3/273, 276, 288, 291,  
D3/281, 294, 283, 295; 190/100, 109, 110, 112,  
114, 115

Attorney, Agent, or Firm—Ronald B. Sefrna; Charles W. Alworth

### [57] CLAIM

The ornamental design for a compartmented carrying case, as shown and described.

### DESCRIPTION

FIG. 1 is a front elevational view of a compartmented carrying case showing my new design, the rear being identical;

FIG. 2 is a side elevational view thereof, the opposite side being identical;

FIG. 3 is a top plan view thereof;

FIG. 4 is a bottom plan view thereof;

FIG. 5 is a reduced top isometric view thereof;

FIG. 6 is a top plan view thereof, the closures in an open position;

FIG. 7 is a top plan view of FIG. 6, the inner closure in an open position;

FIG. 8 is a reduced top isometric view of FIG. 6;

FIG. 9 is a reduced top isometric view of FIG. 7; and,

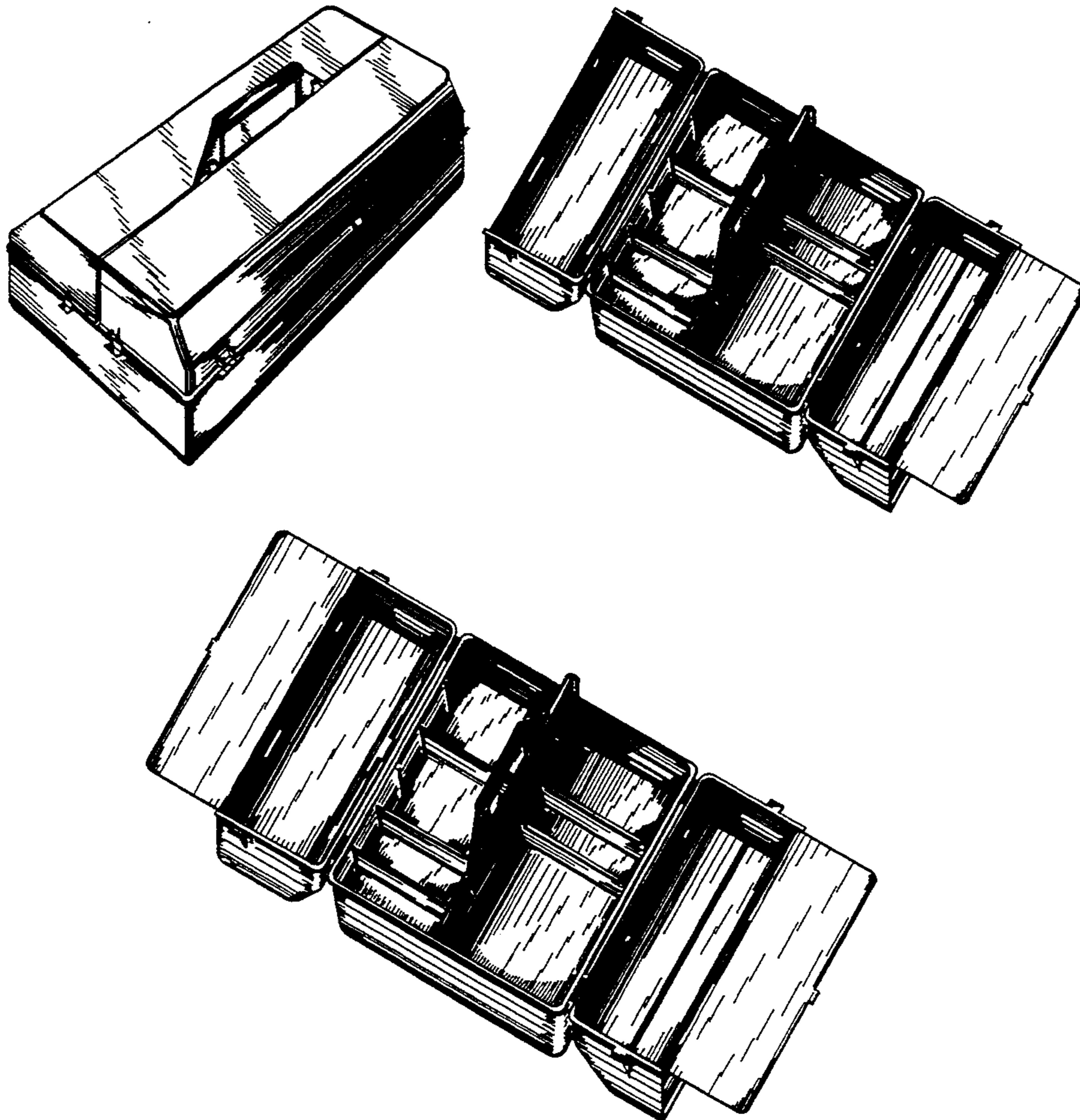
FIG. 10 is a reduced isometric view of a second embodiment of FIG. 1, the difference residing in the addition of an interior closure.

### [56] References Cited

#### U.S. PATENT DOCUMENTS

D. 46,312	8/1914	Kennedy	.....	D3/288
D. 134,918	1/1943	Johnson	.....	D3/288
D. 159,221	7/1950	Nonas	.....	D3/288
D. 232,129	7/1974	Flossmoor	.....	D3/281
792,183	6/1905	Tiduman	.....	190/114
1,171,071	2/1916	Schumacher	.....	190/114
1,502,987	7/1924	Glass et al.	.....	190/114 X

Primary Examiner—Bernard Ansher  
Assistant Examiner—Dominic Simone



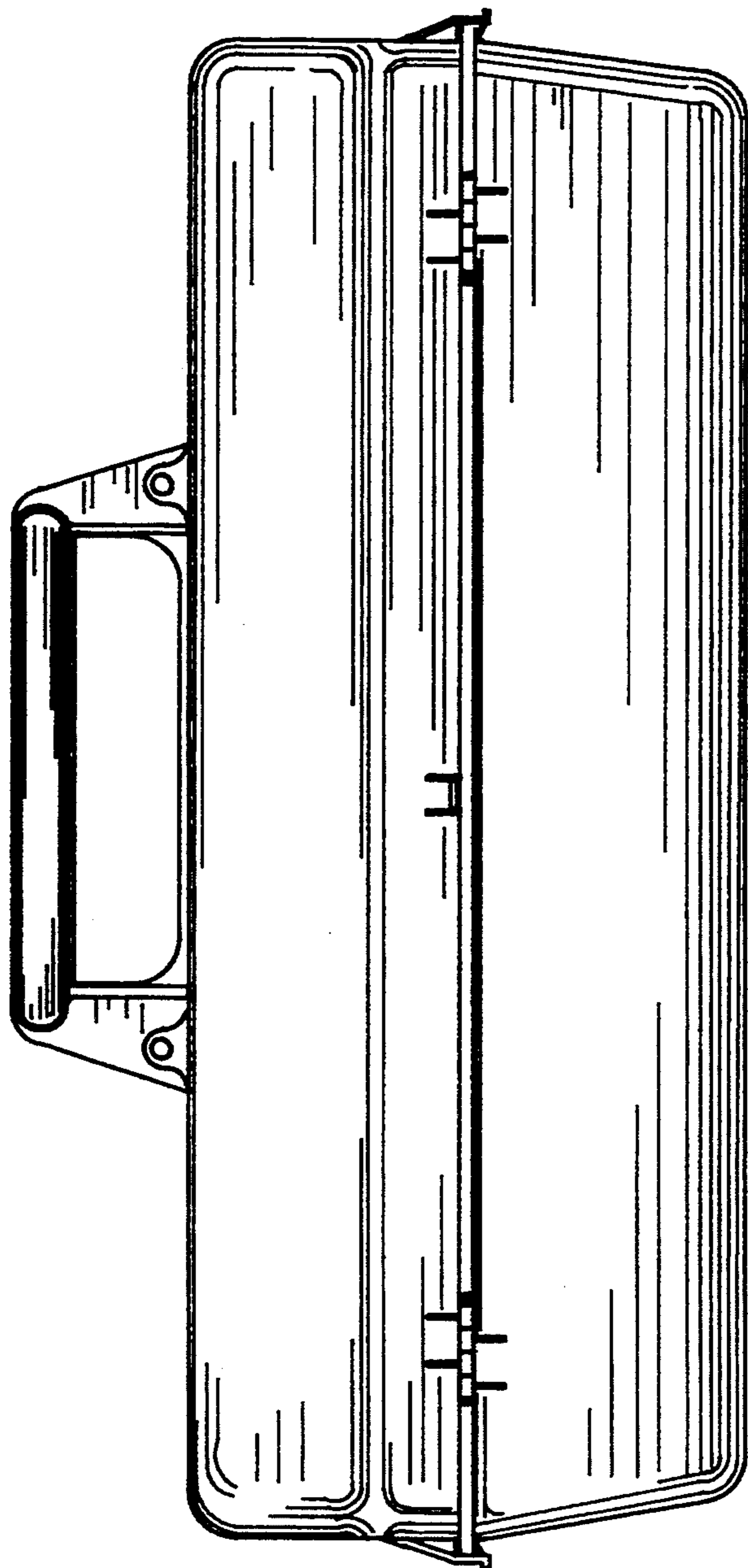


FIGURE 1

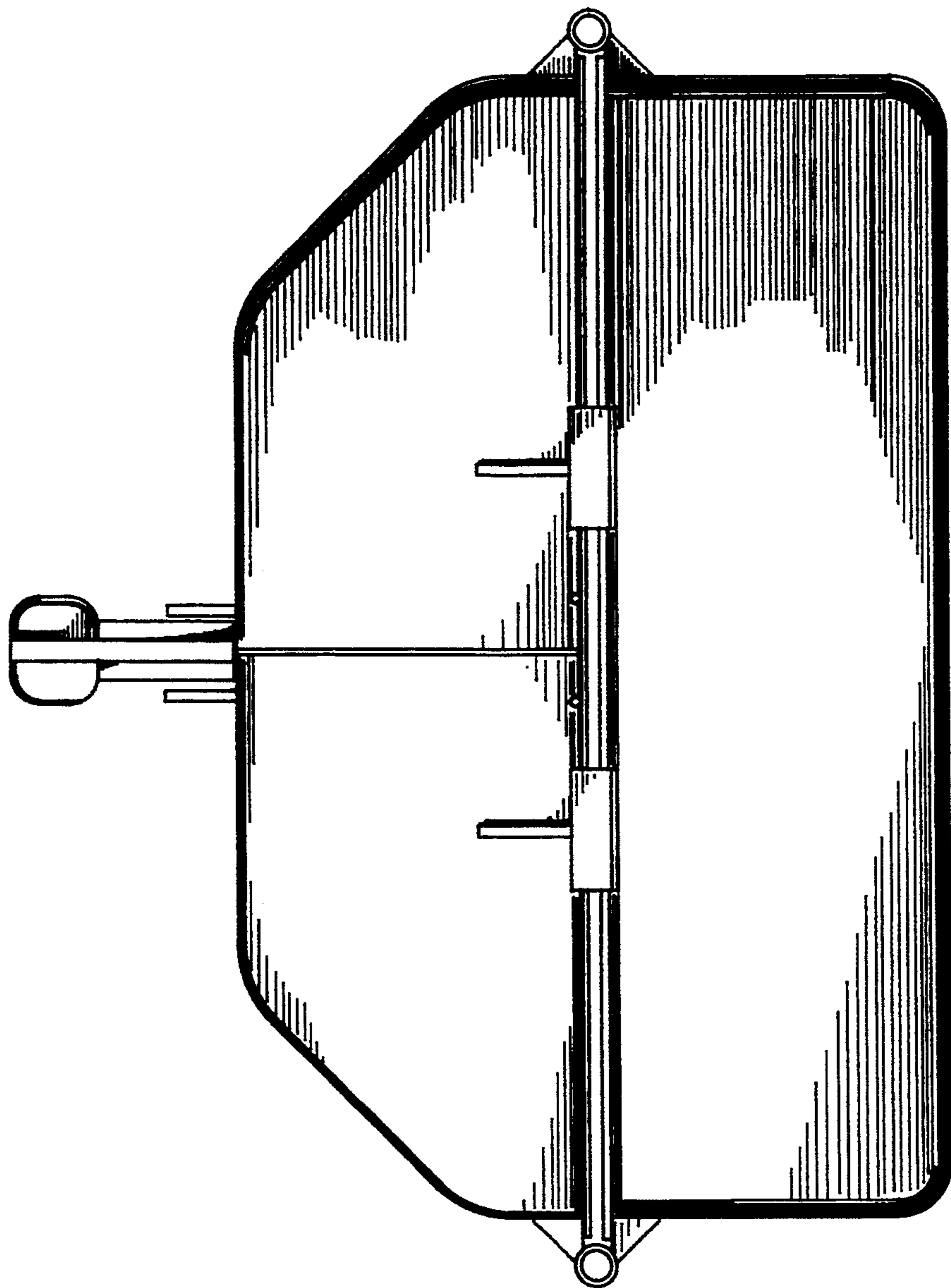


FIGURE 2

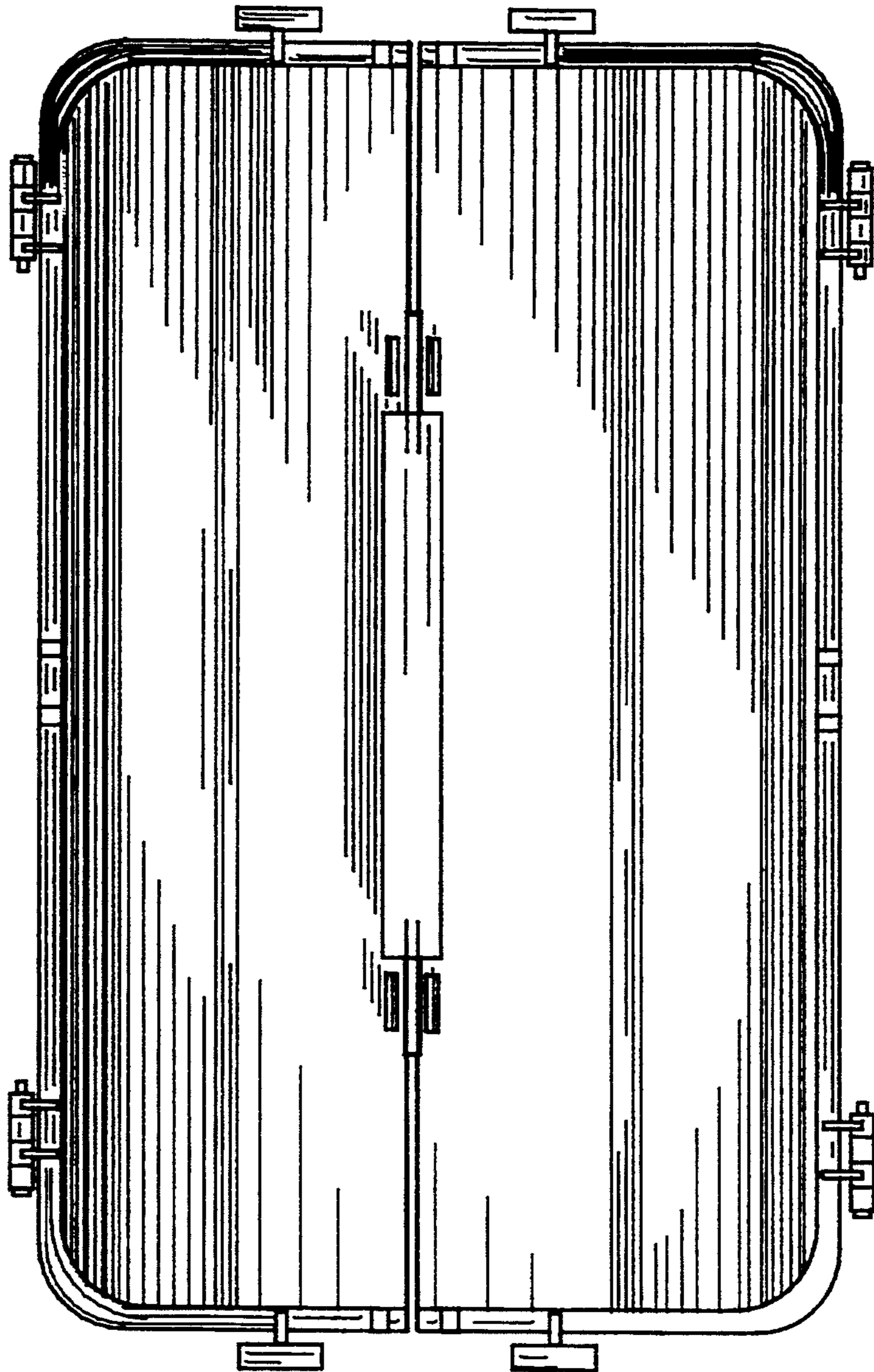
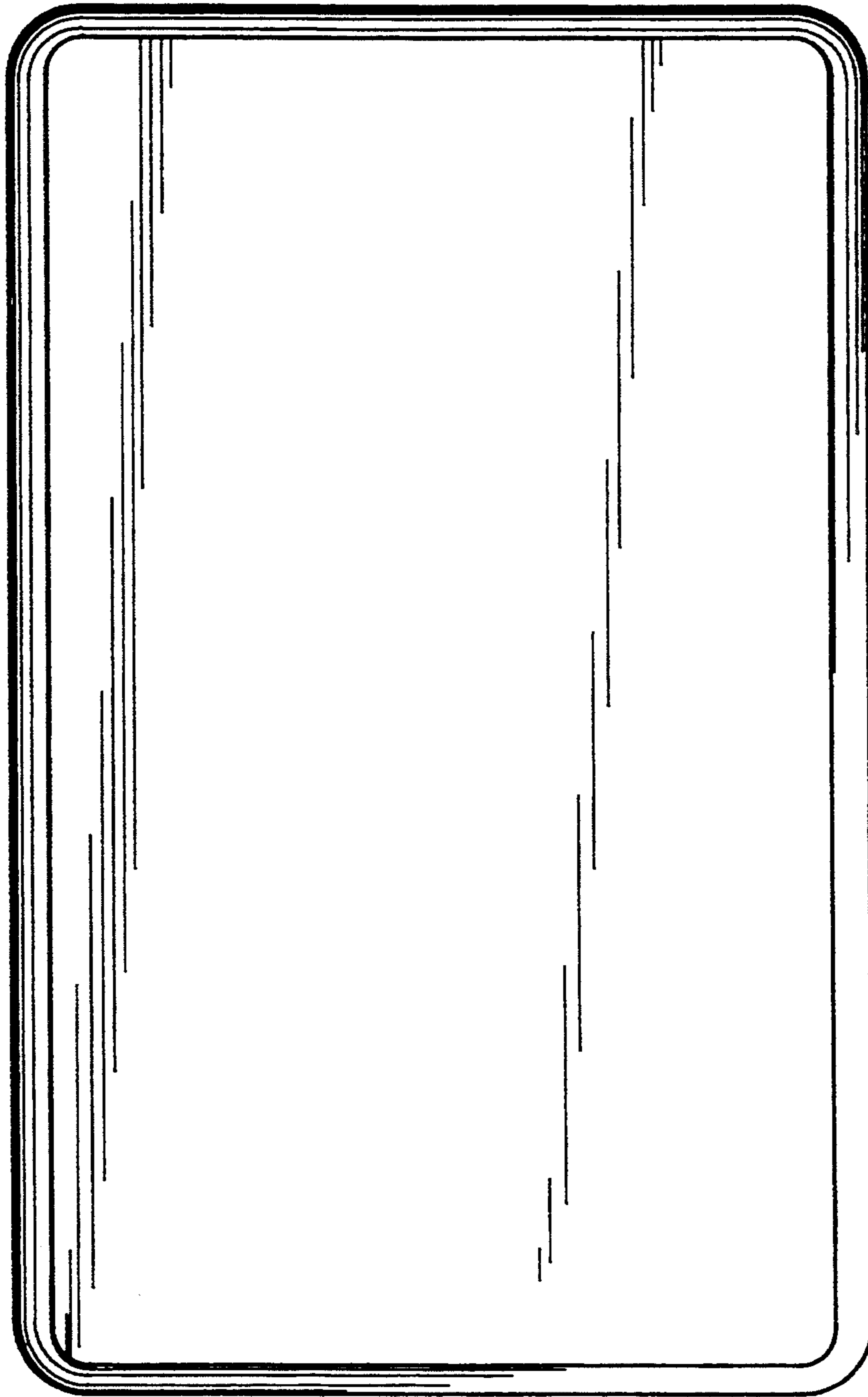


FIGURE 3



**FIGURE 4**

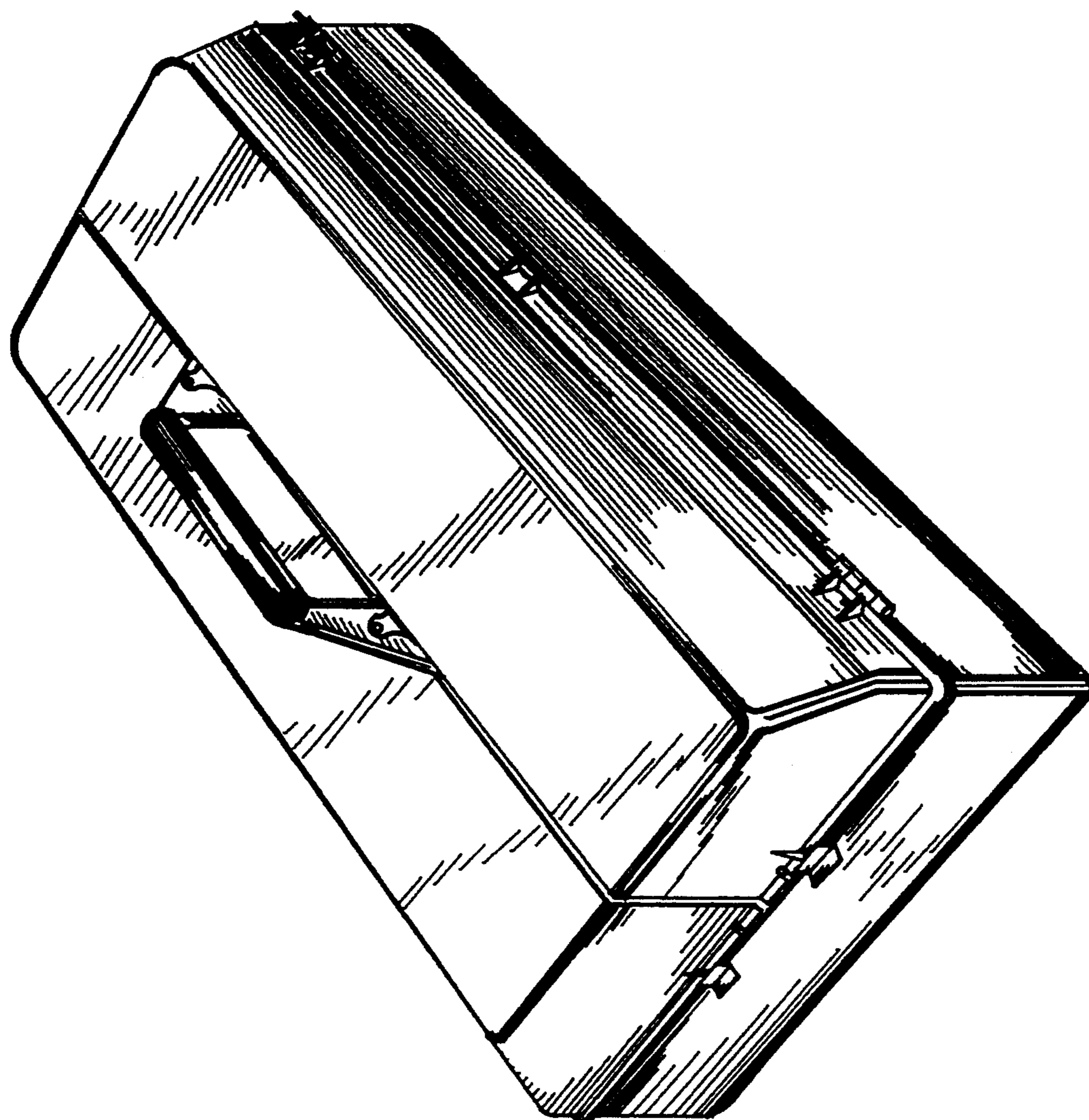


FIGURE 5

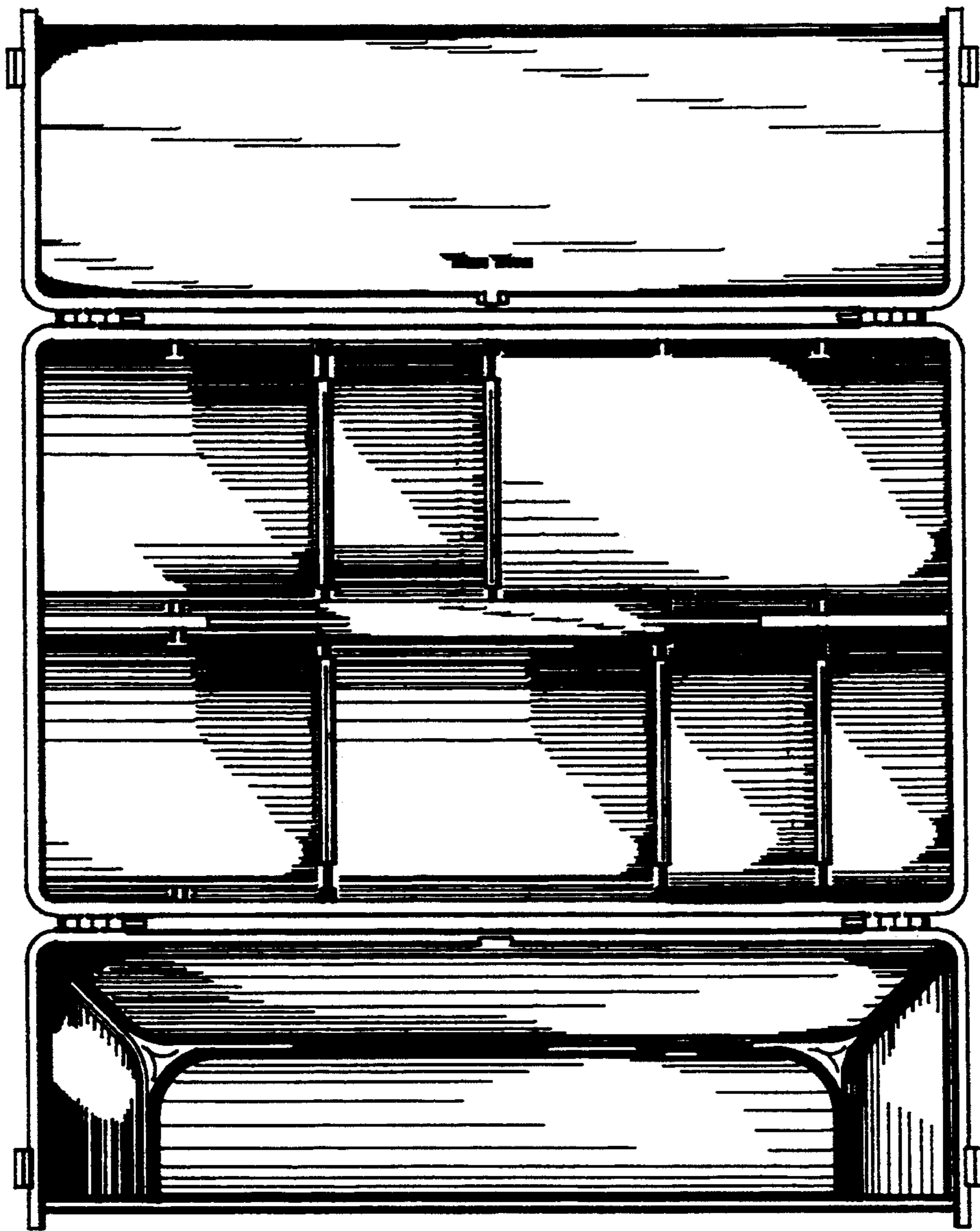


FIGURE 6

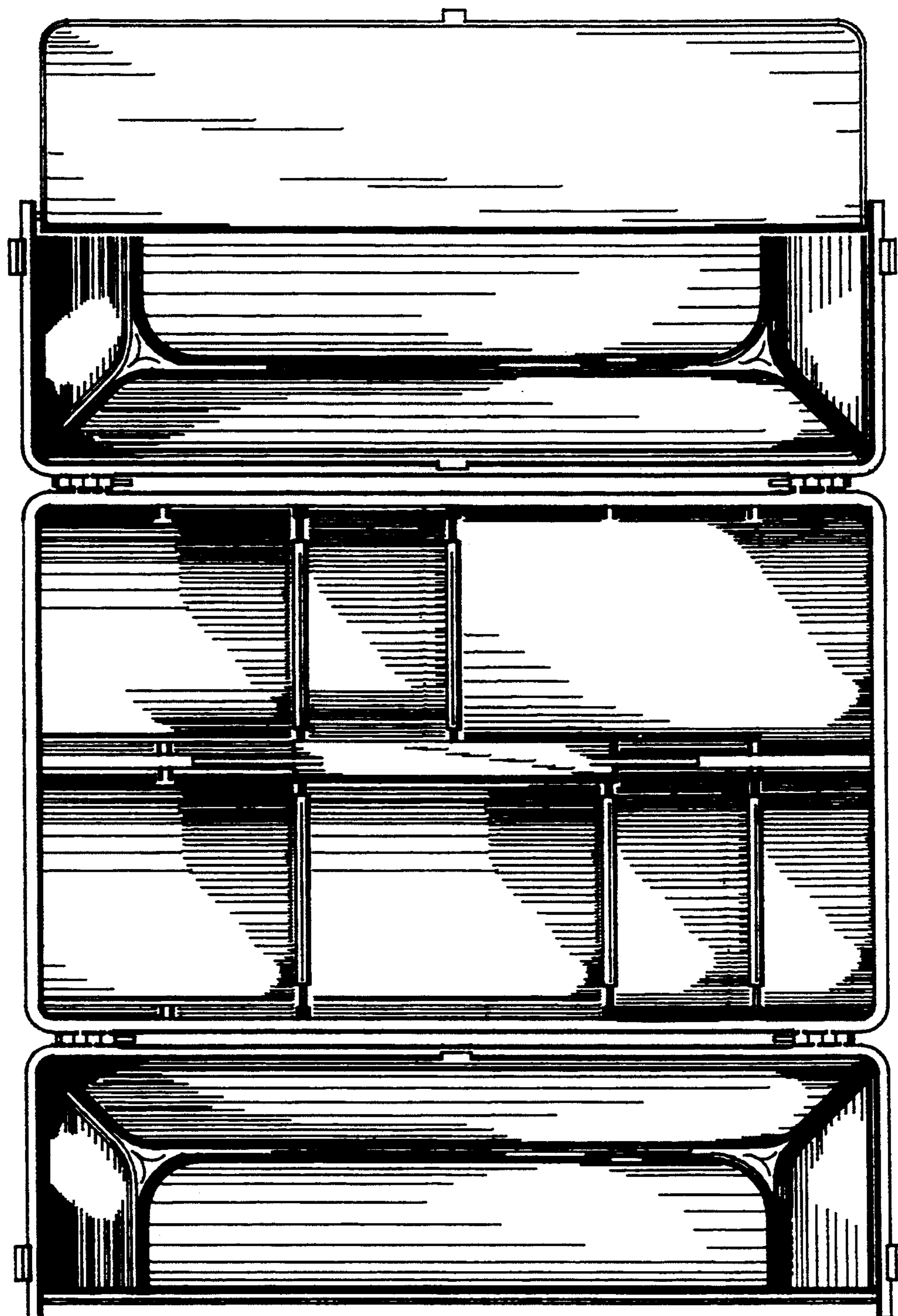


FIGURE 7



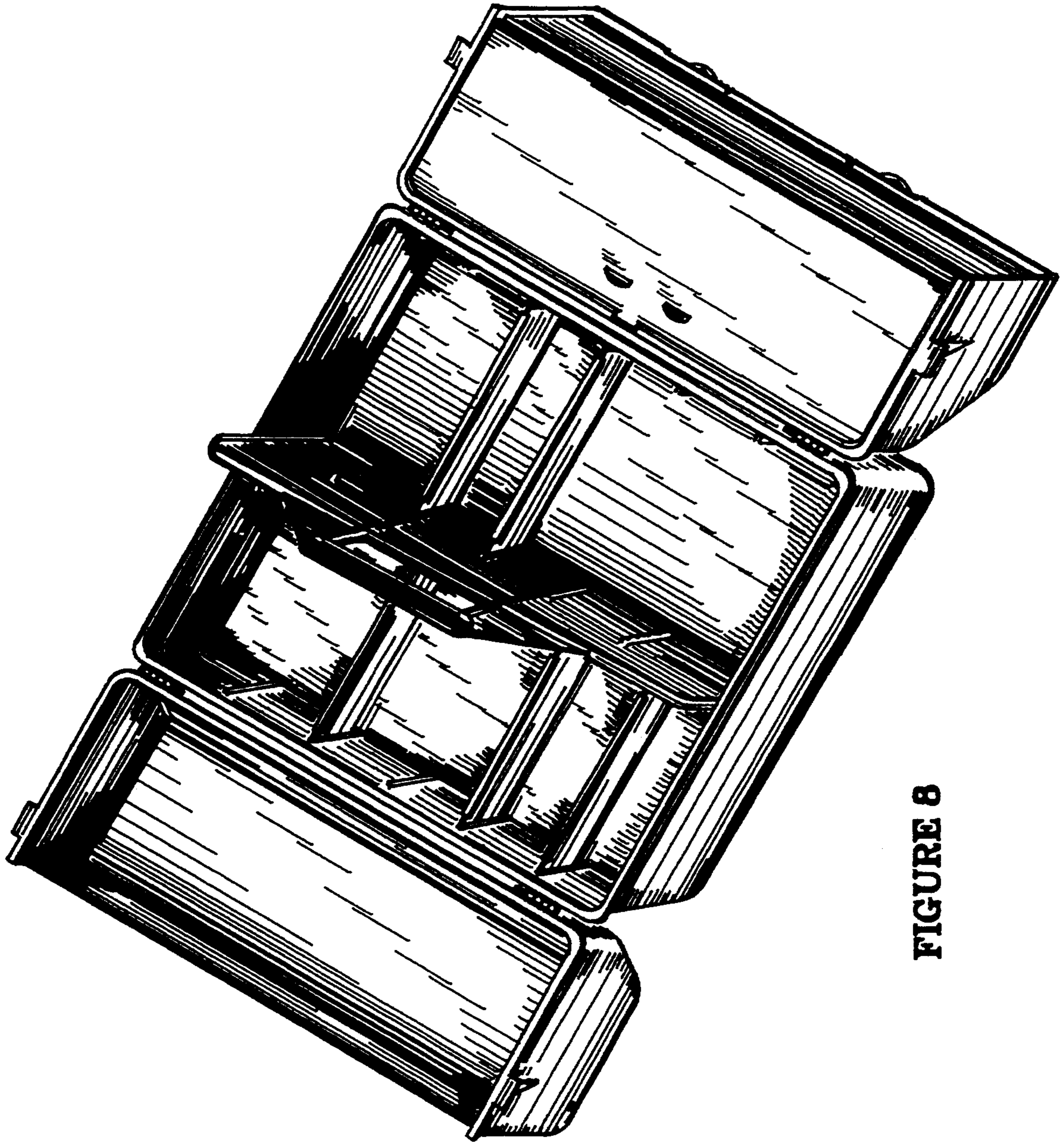


FIGURE 8

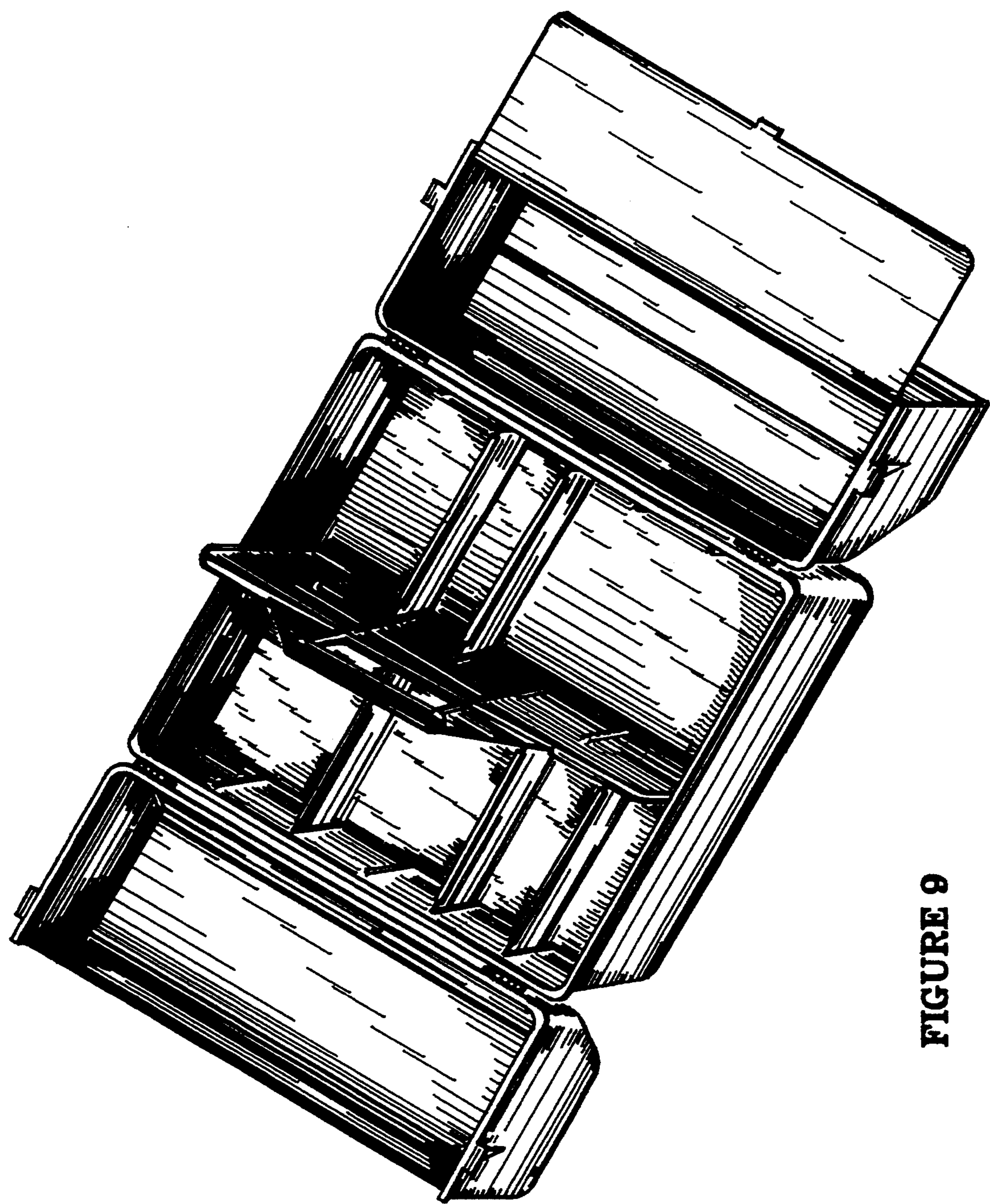


FIGURE 9

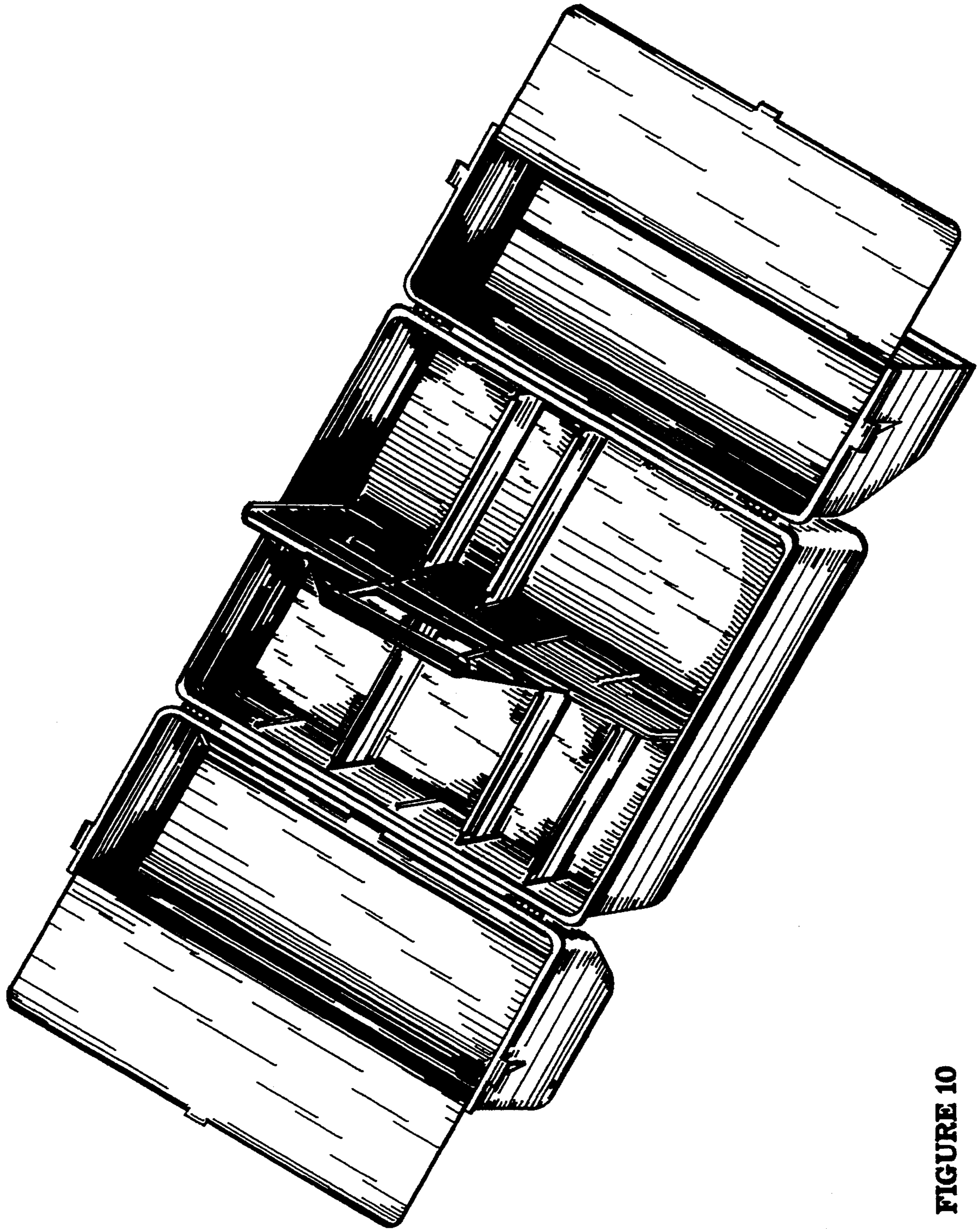


FIGURE 10