



US00D355289S

United States Patent [19]

[11] Patent Number: **Des. 355,289**

Schäfer

[45] Date of Patent: **** Feb. 7, 1995**

[54] WASTE GLASS CONTAINER

[75] Inventor: **Gerhard Schäfer,**
Neunkirchen-Salchendorf, Germany

[73] Assignee: **Fritz Schafer Gesellschaft mit
beschränkter Haftung,** Neunkirchen,
Germany

[**] Term: **14 Years**

[21] Appl. No.: **14,095**

[22] Filed: **Oct. 12, 1993**

[30] **Foreign Application Priority Data**

Apr. 21, 1993 [DE] Germany DM/025 889

[52] U.S. Cl. **D34/1**

[58] Field of Search D34/1, 1.1, 4, 6, 7,
D34/8, 9, 11; 220/675, 908-911, 23.2, 23.4, 500,
553, 555, DIG. 12, DIG. 14

[56] **References Cited**

U.S. PATENT DOCUMENTS

D. 304,873 11/1989 Ruehland D34/1

D. 324,593	3/1992	Kouwenhoven	D34/1
3,074,583	1/1963	Martinich	220/908
4,114,776	9/1978	Pluss	220/909
4,456,141	6/1984	Pamment	220/908
4,609,117	9/1986	Pamment	220/908

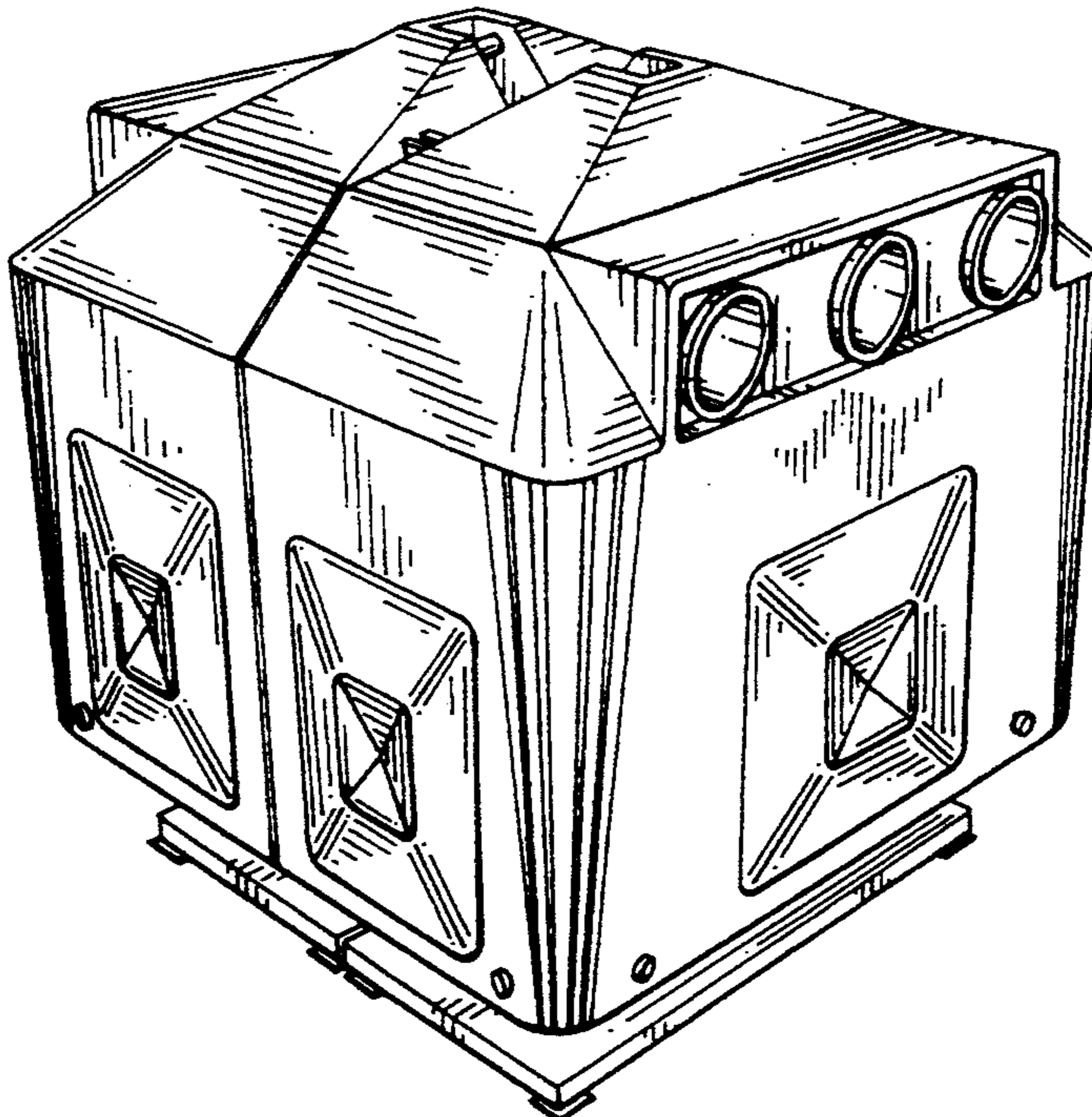
Primary Examiner—Wallace R. Burke
Assistant Examiner—Robin V. Taylor
Attorney, Agent, or Firm—Anderson Kill Olick &
Oshinsky

[57] **CLAIM**

The ornamental design for a waste glass container, as shown and described.

DESCRIPTION

FIG. 1 is a perspective view of a waste glass container; FIG. 2 is an opposite perspective view from the view illustrated in FIG. 1; FIG. 3 is a front view; FIG. 4 is a side elevational view; FIG. 5 is a rear view; FIG. 6 is a top plan view; and, FIG. 7 is a bottom view.



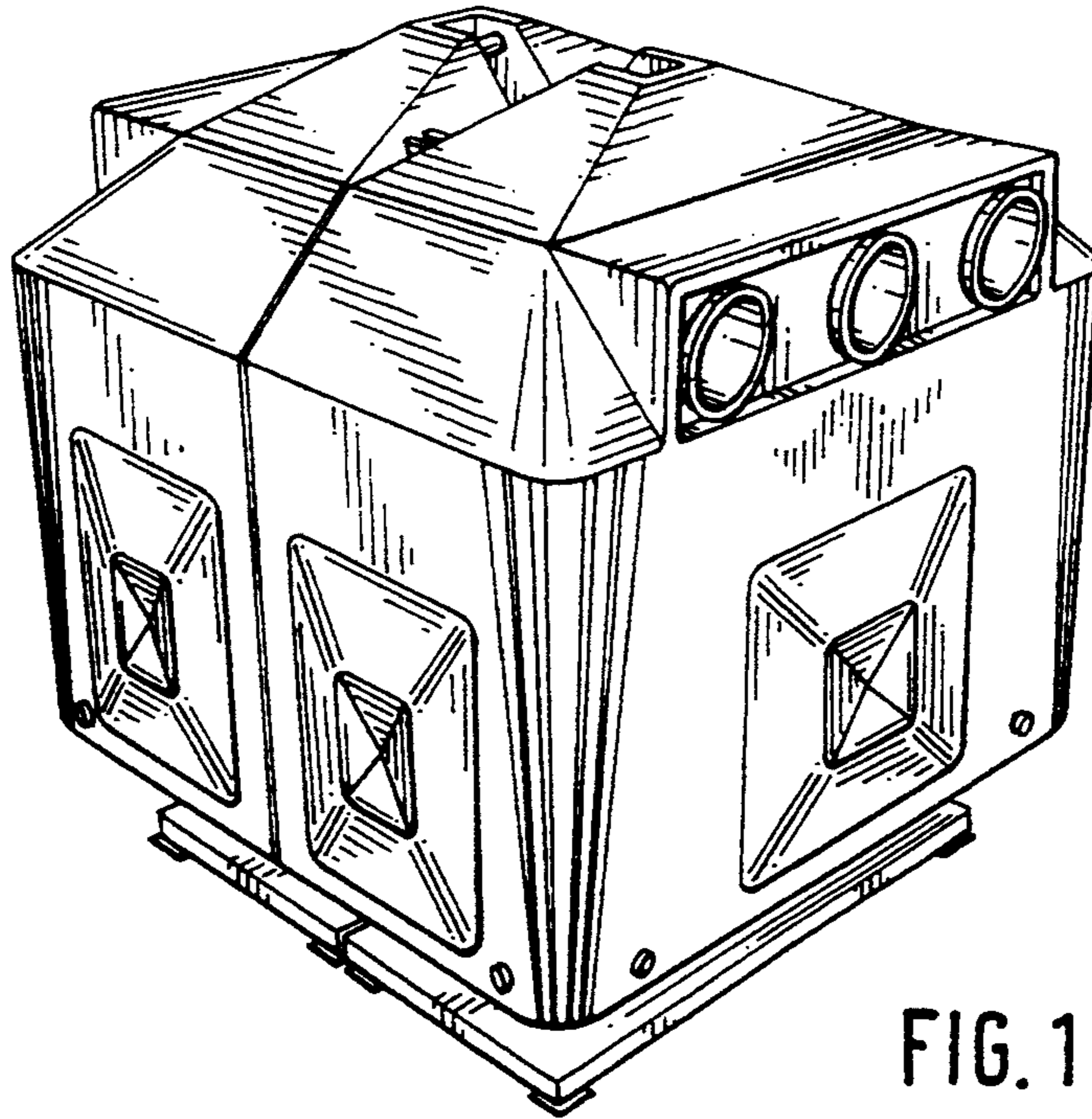


FIG. 1

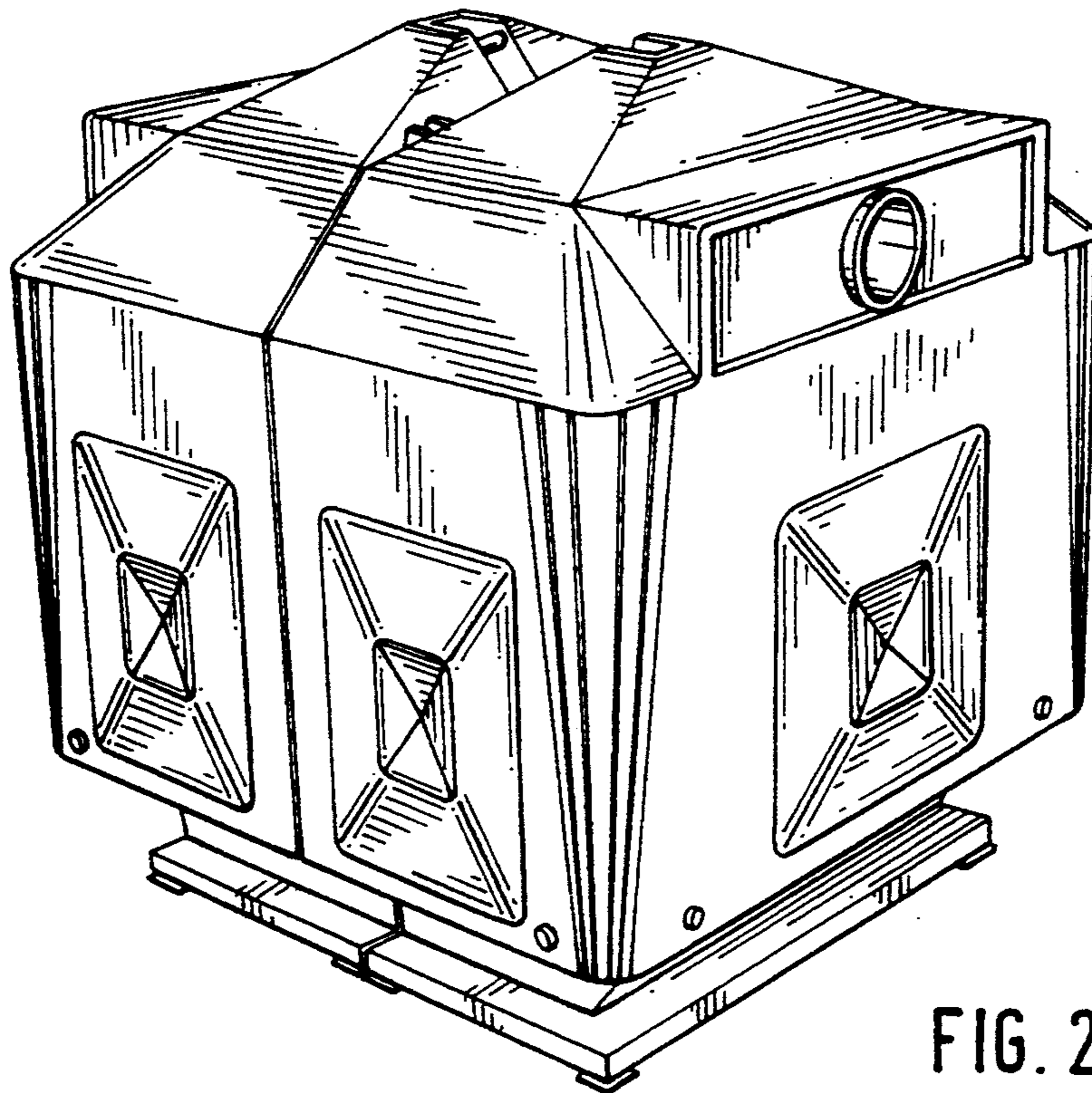


FIG. 2

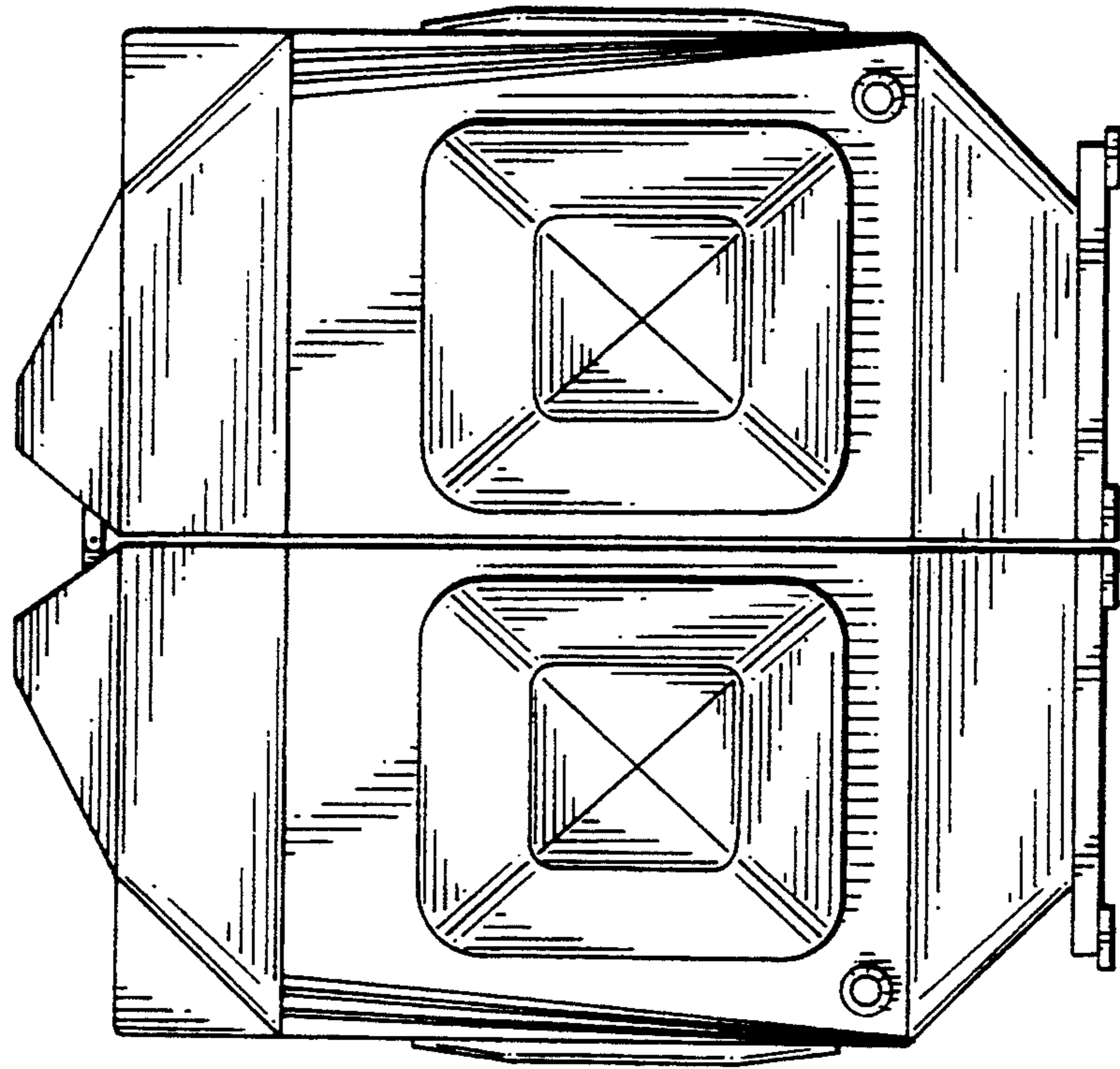


FIG. 3

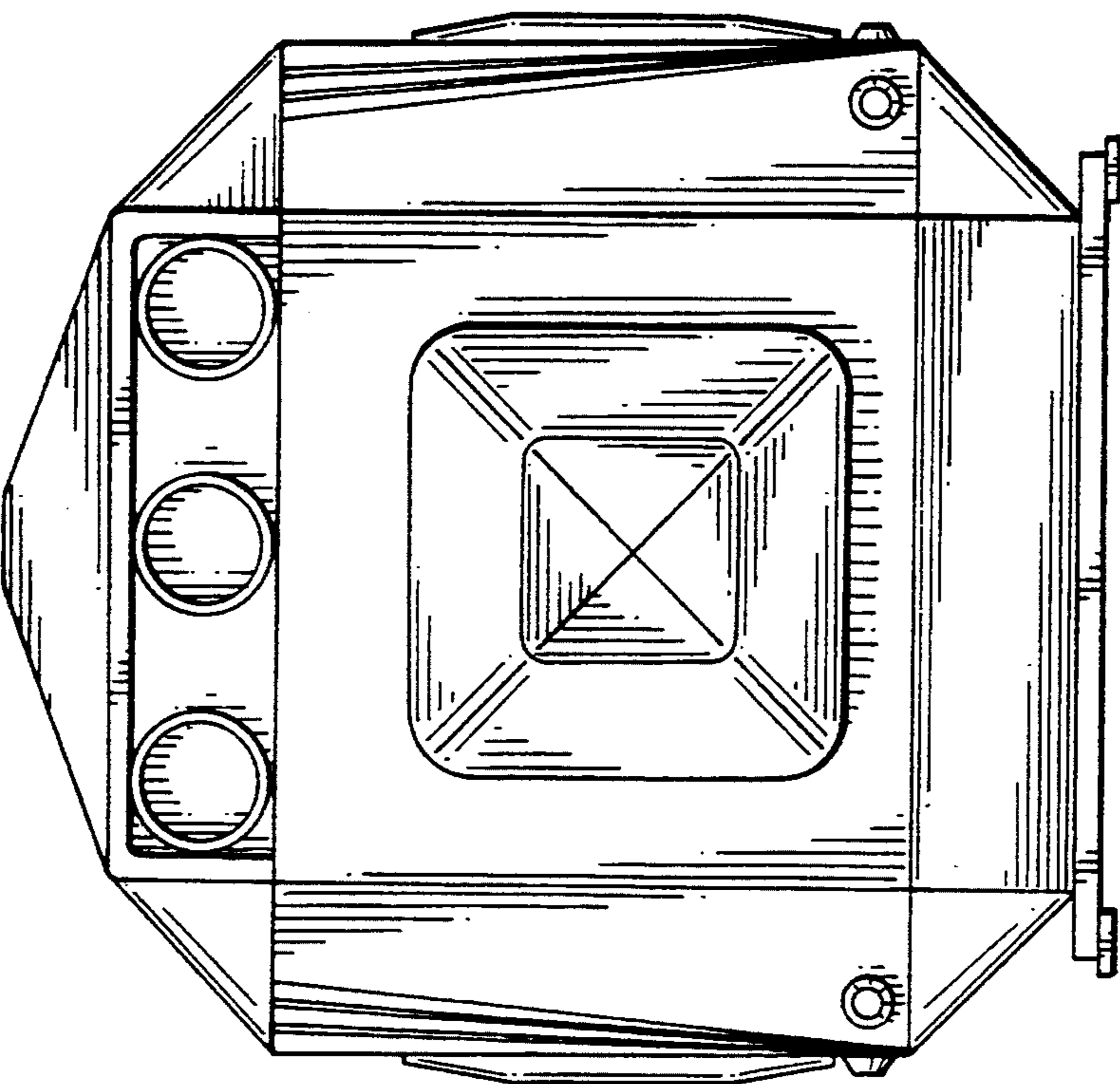


FIG. 4

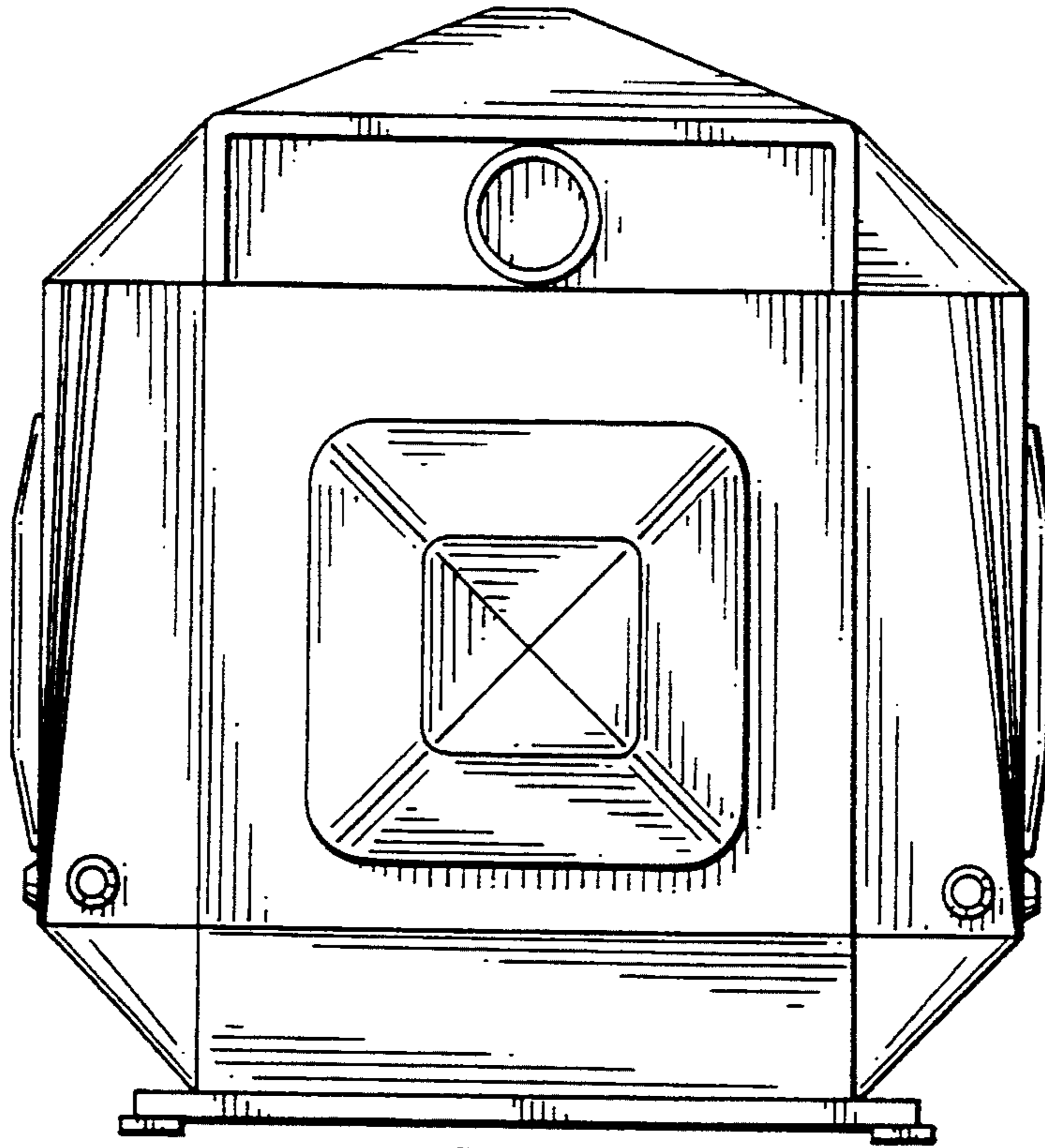


FIG. 5

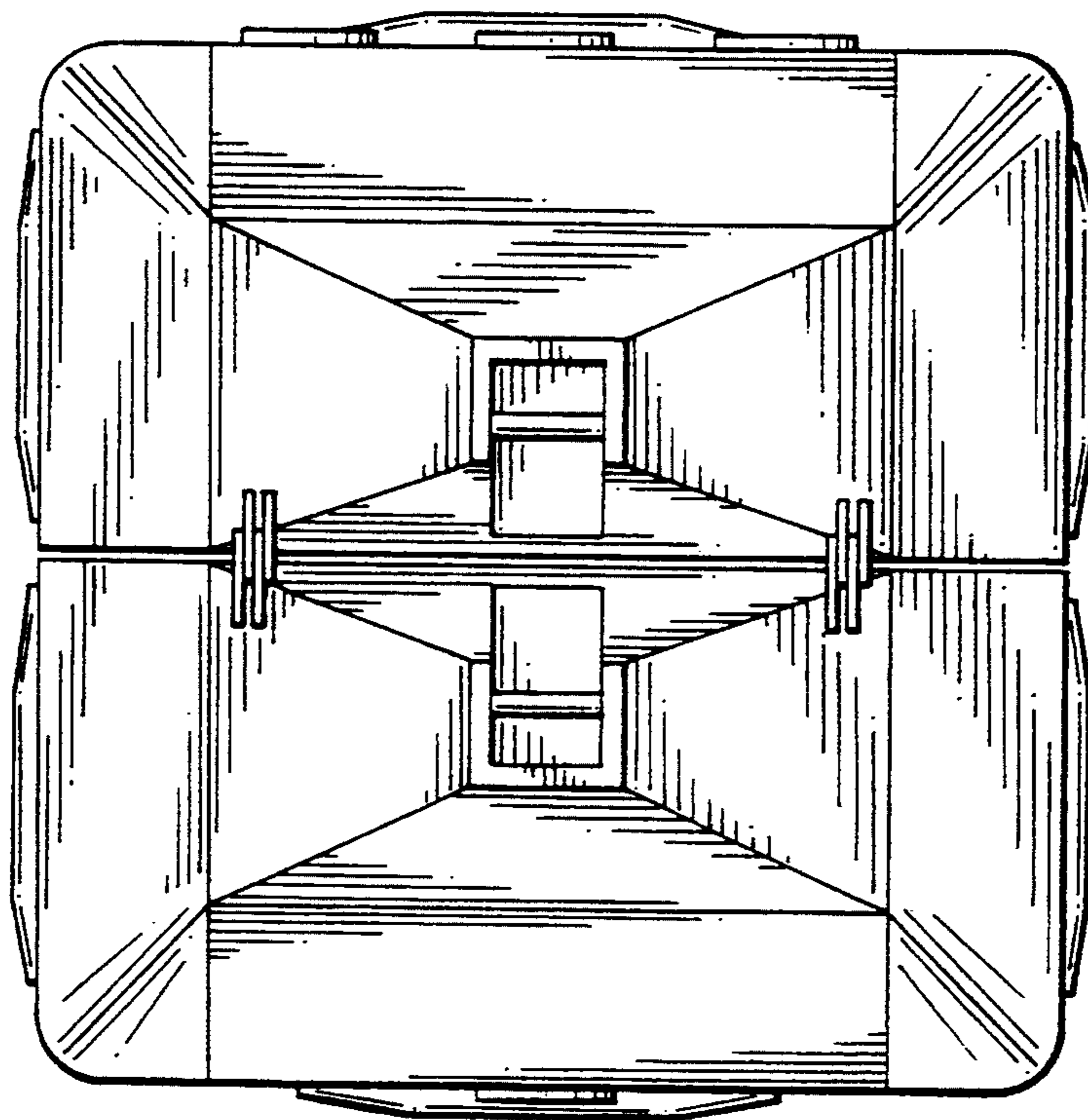


FIG. 6

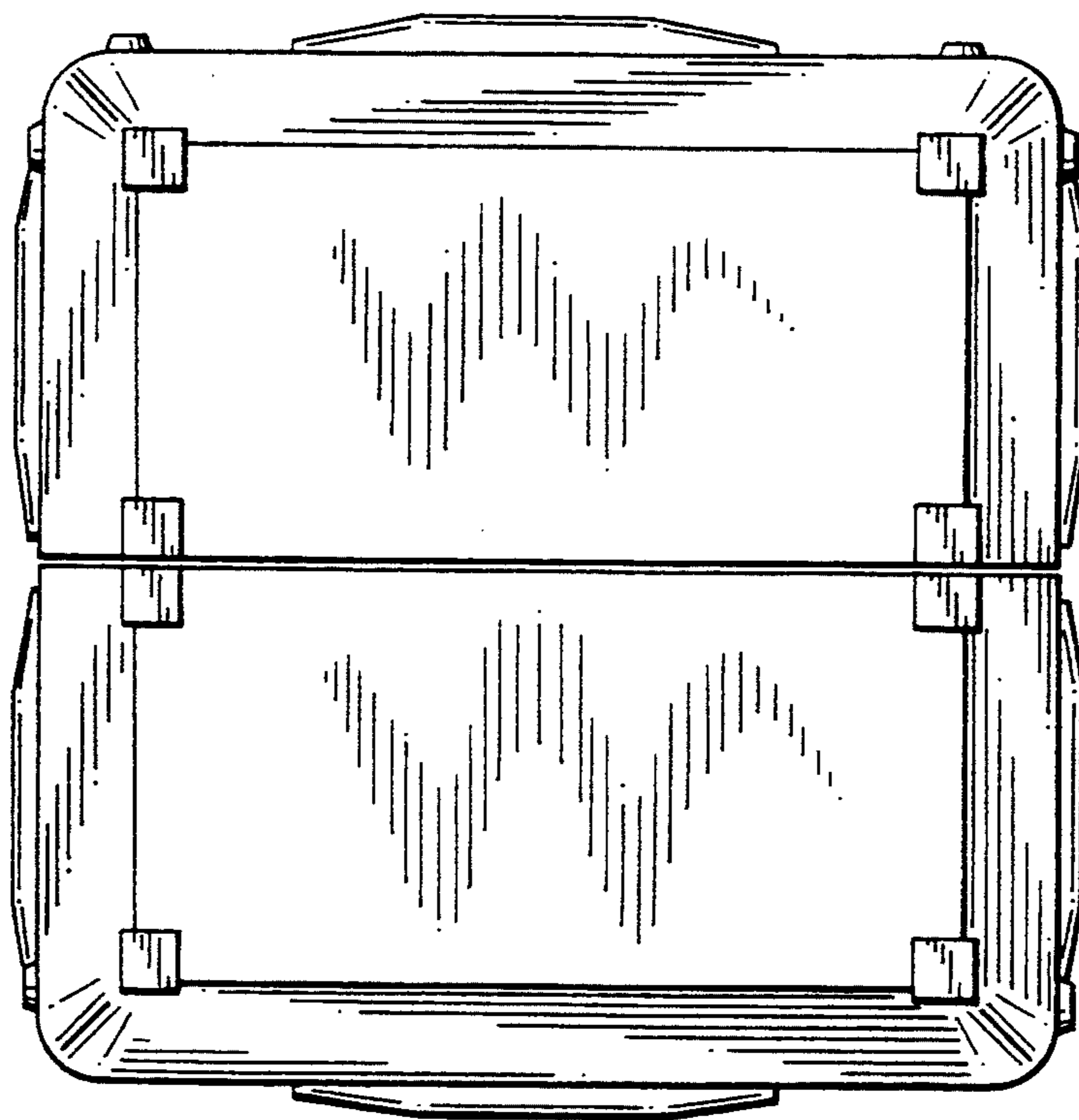


FIG. 7