



US00D355280S

United States Patent [19]

[11] Patent Number: **Des. 355,280**

Yoshioka

[45] Date of Patent: **** Feb. 7, 1995**

[54] **ANIMAL FECES RETRIEVER**
 [75] Inventor: **Mashayuki Yoshioka, Kanagawa, Japan**
 [73] Assignee: **Olive Corporation, Tokyo, Japan**
 [**] Term: **14 Years**
 [21] Appl. No.: **4,313**
 [22] Filed: **Feb. 1, 1993**

2652102 3/1991 France 294/1.3
 343832 1/1920 Germany 294/55
 2512203 3/1975 Germany 294/1.3
 3809286 9/1989 Germany 294/1.5
 7713350 9/1979 Netherlands 294/1.5

[30] Foreign Application Priority Data

Aug. 10, 1992 [JP] Japan 4-23975

[52] U.S. Cl. **D30/162**; 294/1.5

[58] Field of Search 294/1.3-1.5, 294/55; 209/417-419; D30/162; D8/10, 4; D7/691-692

[56] References Cited

U.S. PATENT DOCUMENTS

D. 333,952 3/1993 Wolf D30/162
 4,021,994 5/1977 Mainprice 294/1.4
 4,335,678 6/1982 Garza et al. 294/1.5
 4,398,759 8/1983 Manola 294/1.4
 4,466,647 8/1984 Spevak 294/1.5
 4,717,186 1/1988 Yoshioka 294/1.5
 4,878,703 11/1989 Yoshioka 294/1.5
 4,900,077 2/1990 Beck 294/1.3
 4,995,661 2/1991 Aurness et al. 294/1.4
 5,056,842 10/1991 Lindenberg et al. 294/1.4
 5,193,870 3/1993 MacInnis et al. 294/1.4
 5,203,598 4/1993 Lindlbauer 294/1.4

FOREIGN PATENT DOCUMENTS

2401275 4/1979 France 294/1.4

Primary Examiner—Cathy Anne MacCormac
Attorney, Agent, or Firm—Dann, Dorfman, Herrell and Skillman

[57] CLAIM

The ornamental design for an animal feces retriever, as shown and described.

DESCRIPTION

FIG. 1 is a front-left side perspective view of an animal feces retriever according to my new design;
 FIG. 2 is a front elevational view thereof;
 FIG. 3 is a rear elevational view thereof;
 FIG. 4 is a left side elevational view thereof;
 FIG. 5 is a right side elevational view thereof;
 FIG. 6 is a top plan view thereof;
 FIG. 7 is a bottom plan view thereof;
 FIG. 8 is a front-left side perspective view of the animal feces retriever in use;
 FIG. 9 is a front-left side perspective view of a second embodiment of my new design;
 FIG. 10 is a front elevational view thereof;
 FIG. 11 is a rear elevational view thereof;
 FIG. 12 is a left side elevational view thereof;
 FIG. 13 is a right side elevational view thereof;
 FIG. 14 is a top plan view thereof;
 FIG. 15 is a bottom plan view thereof; and,
 FIG. 16 is a front-left side perspective view of the second embodiment in use.

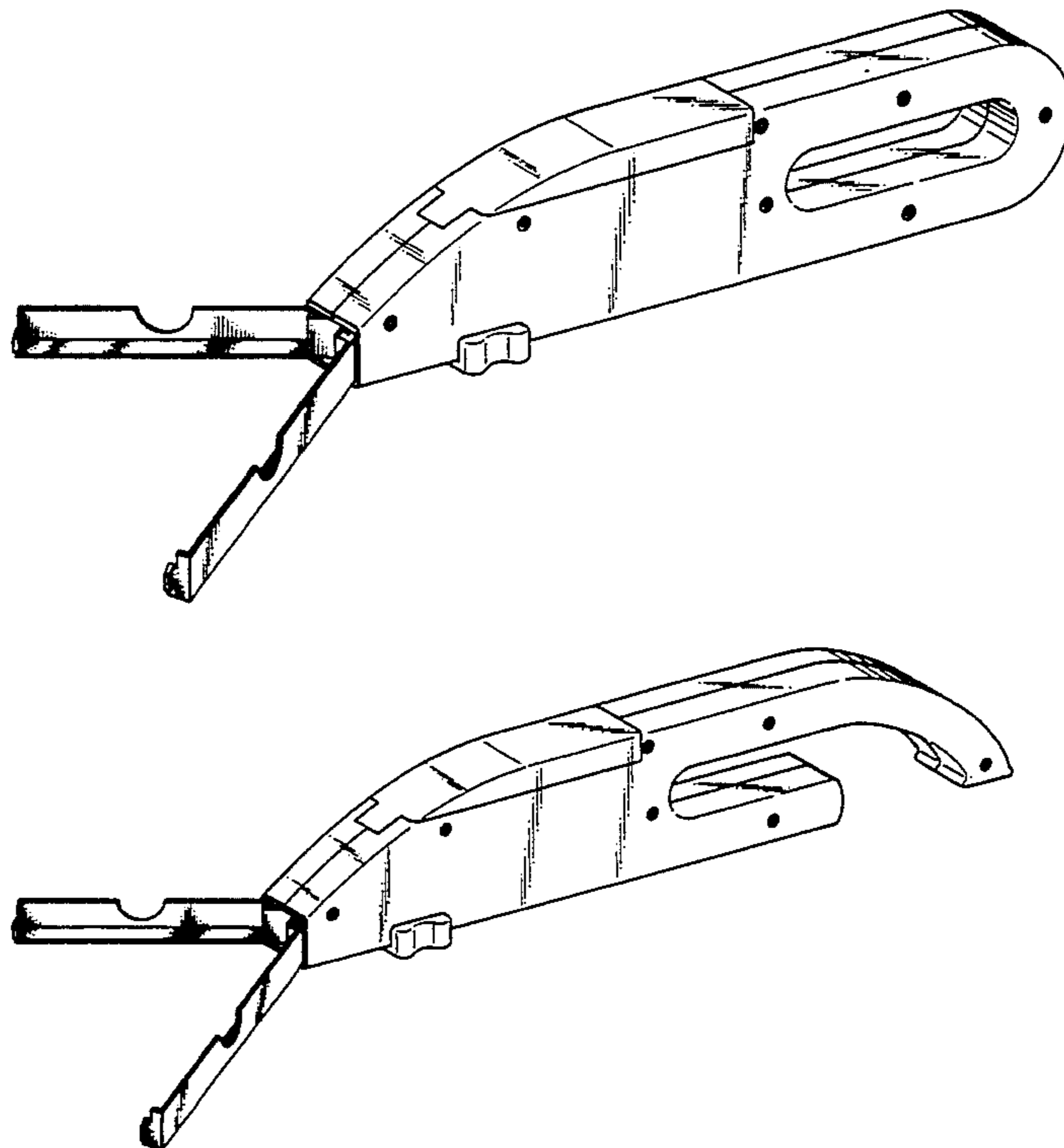


FIG. 1

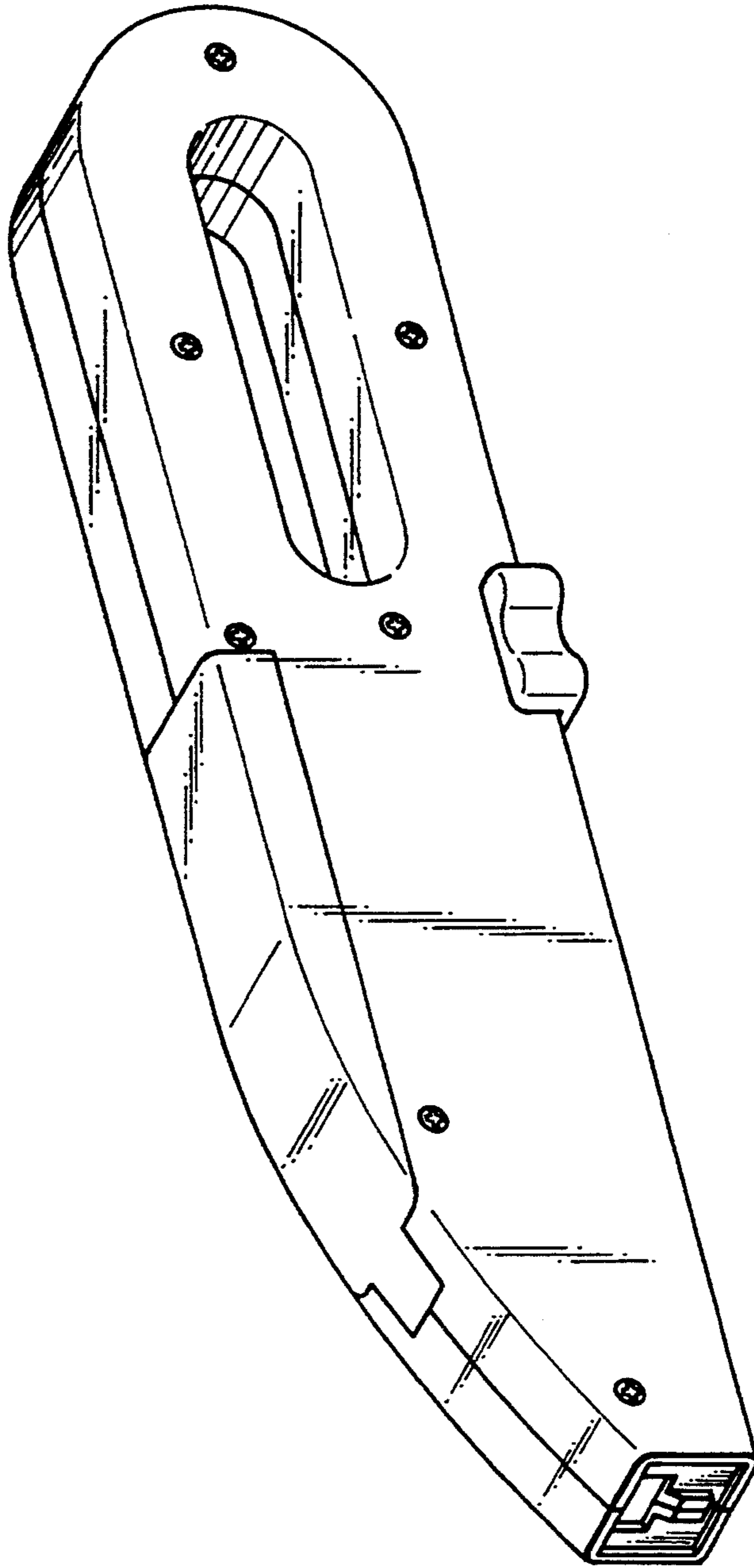


FIG.2

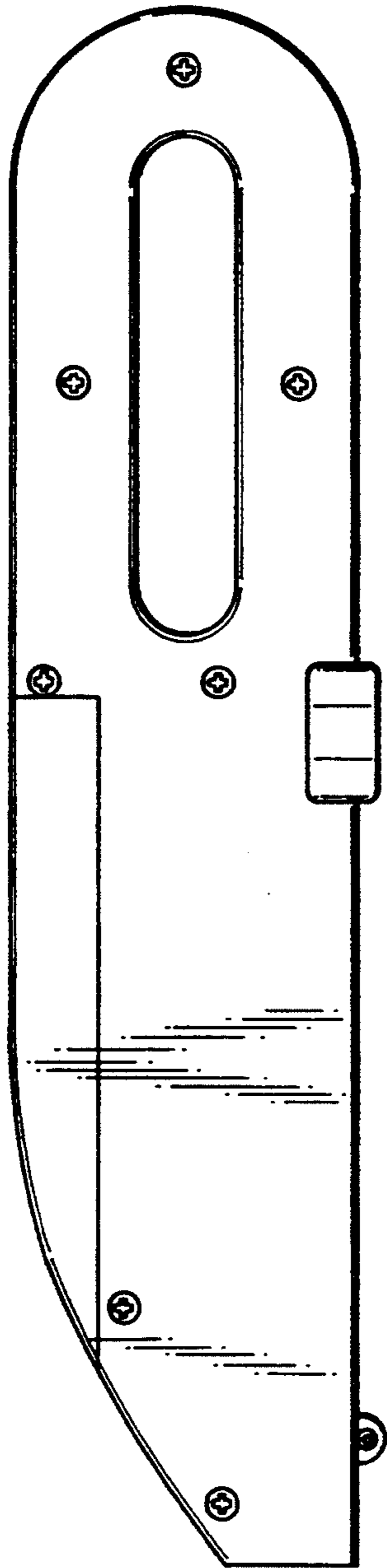


FIG.3

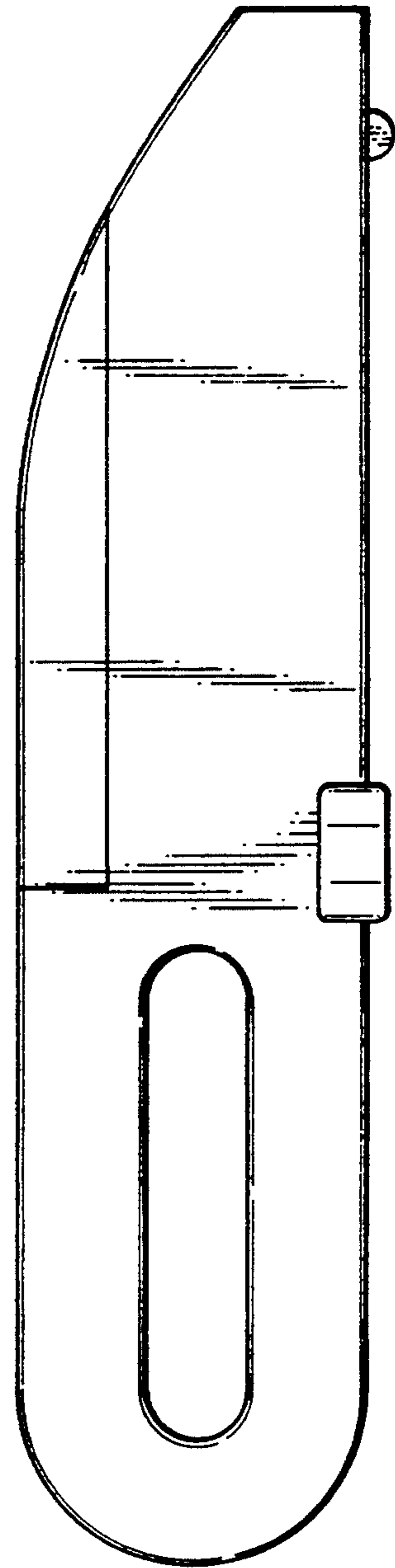


FIG.4

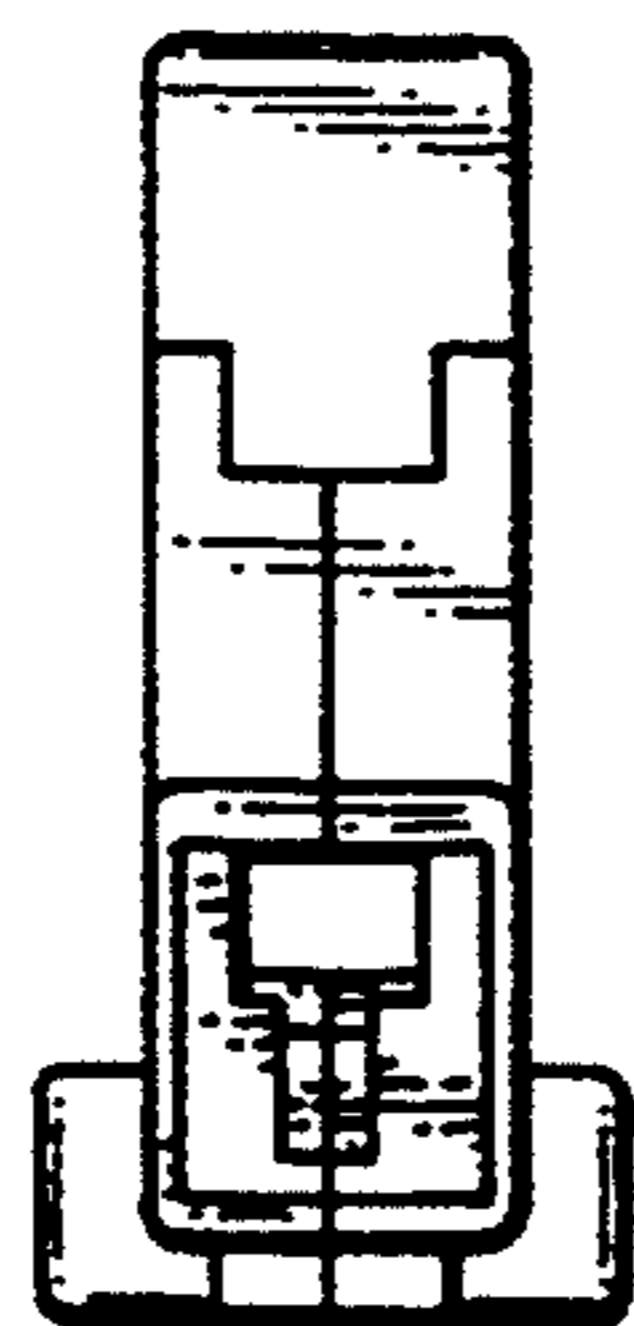


FIG.5

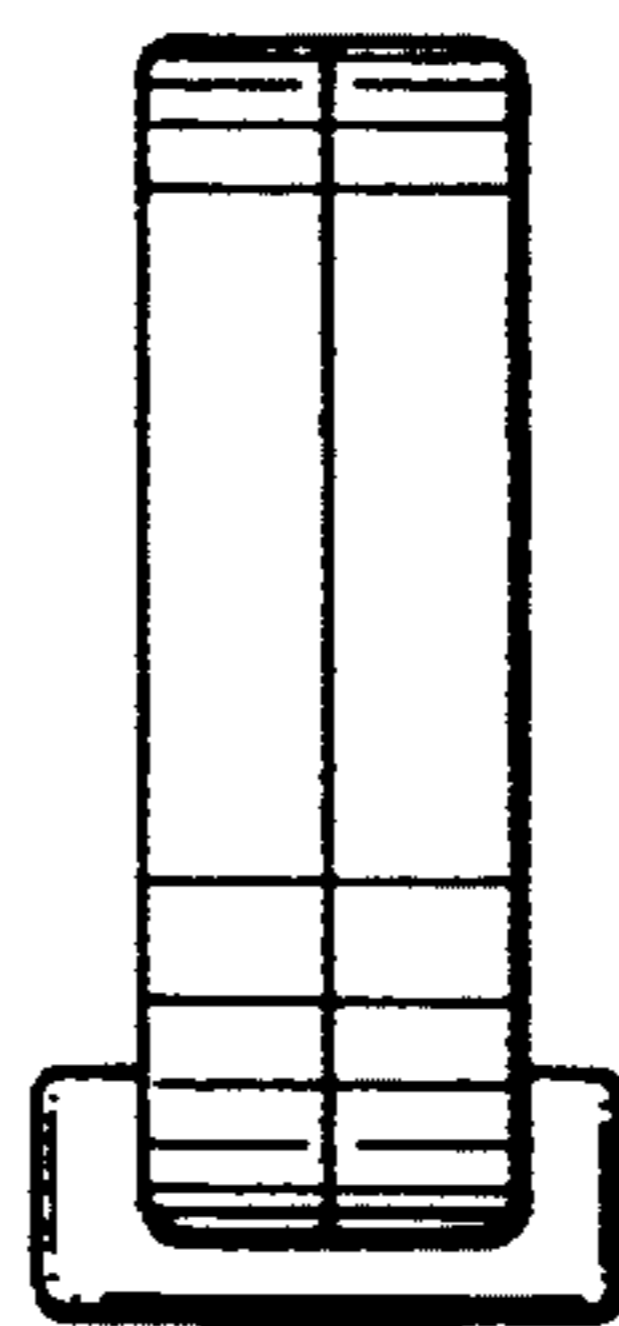


FIG.6

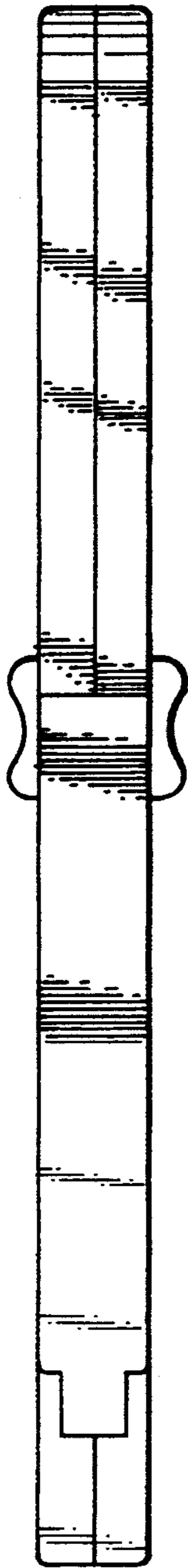


FIG.7

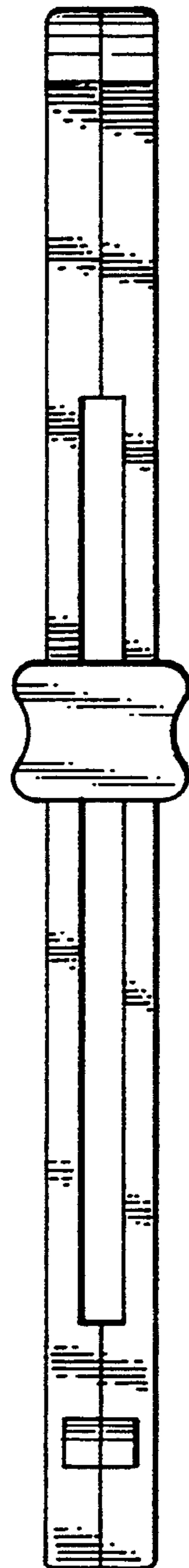


FIG. 8

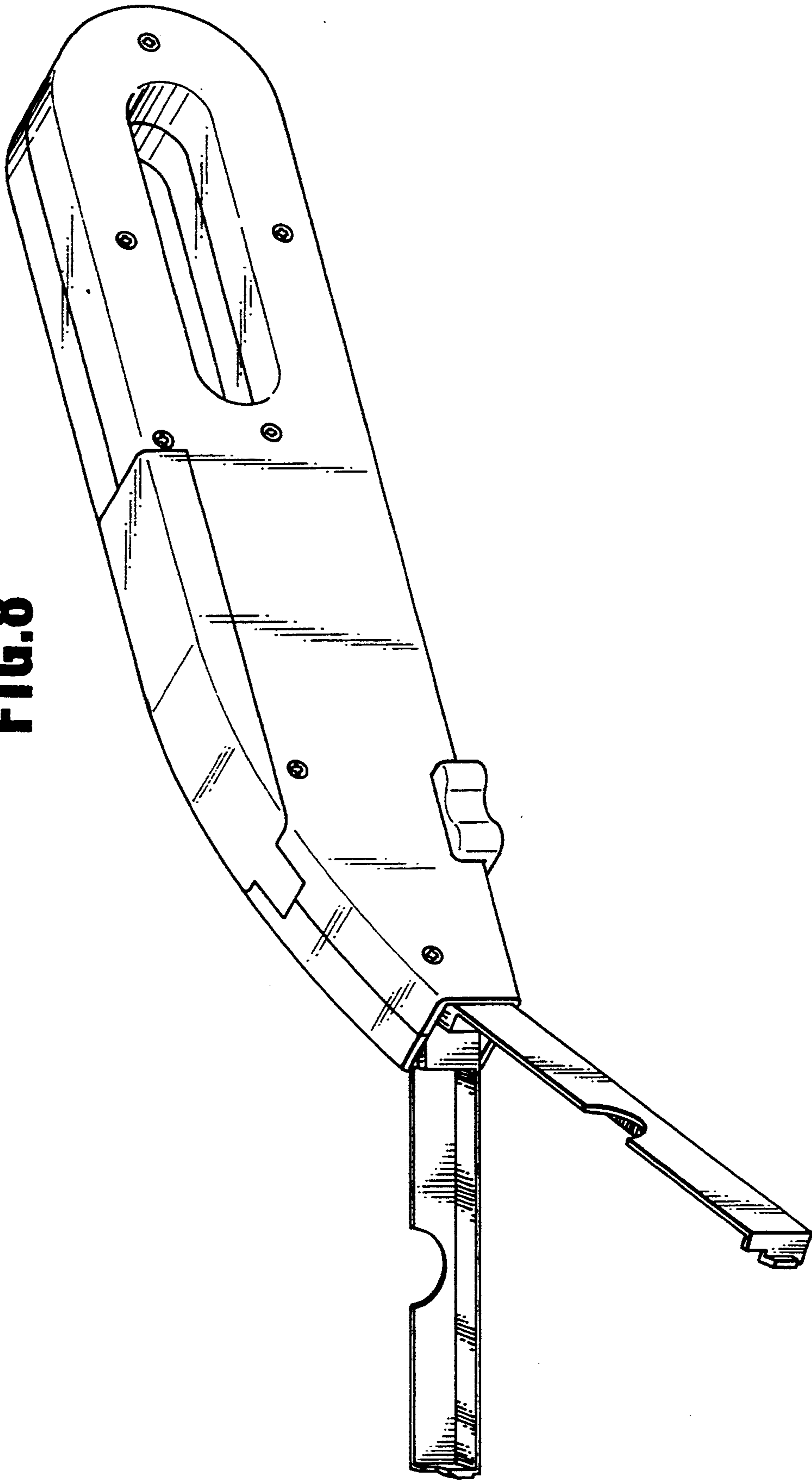


FIG. 9

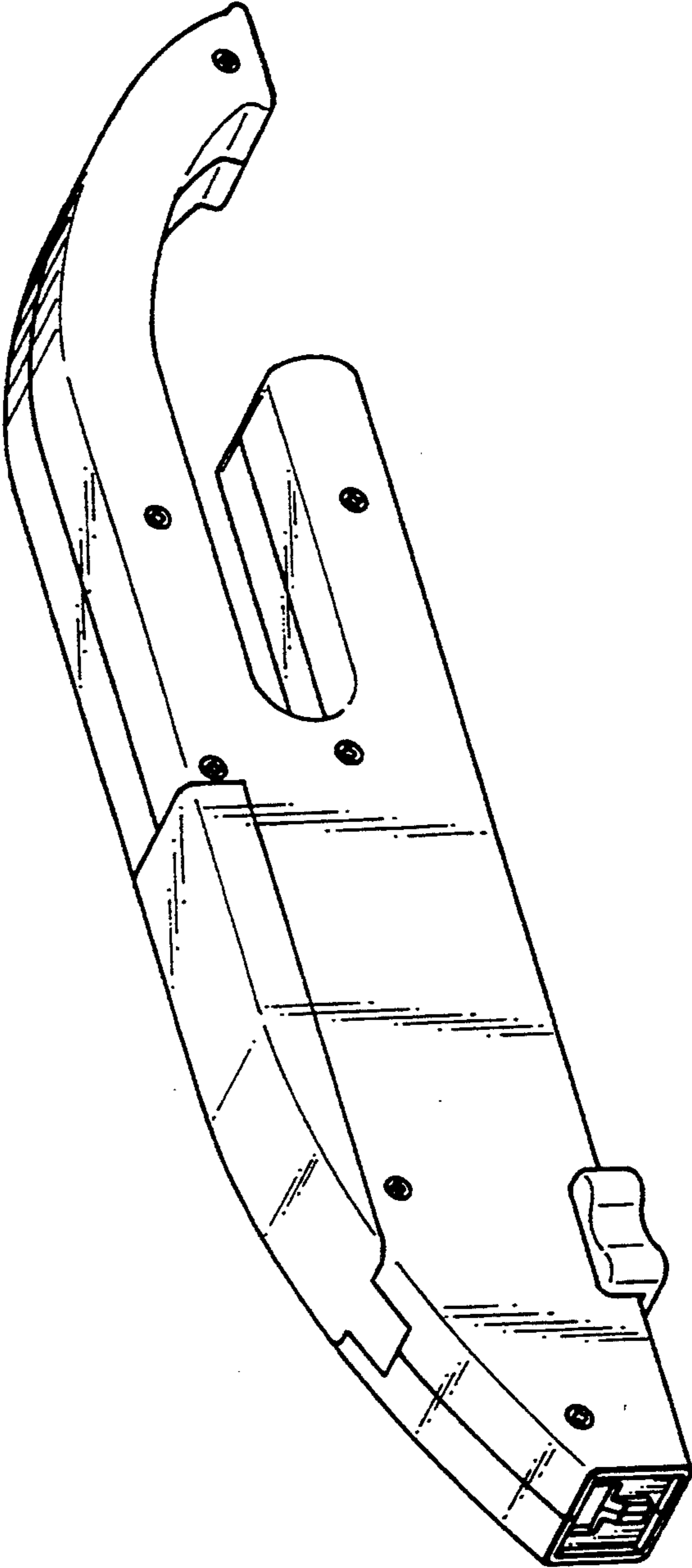


FIG.10

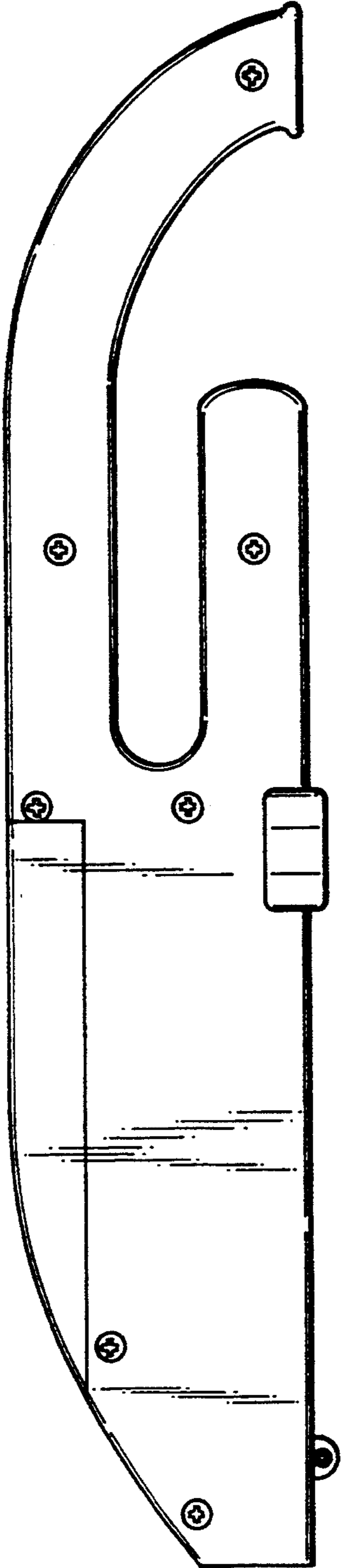


FIG.11

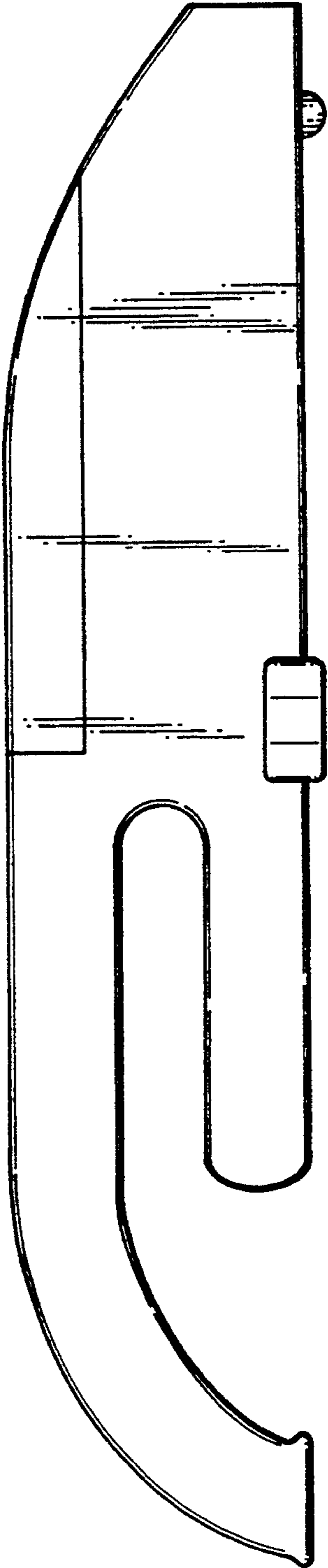


FIG.12

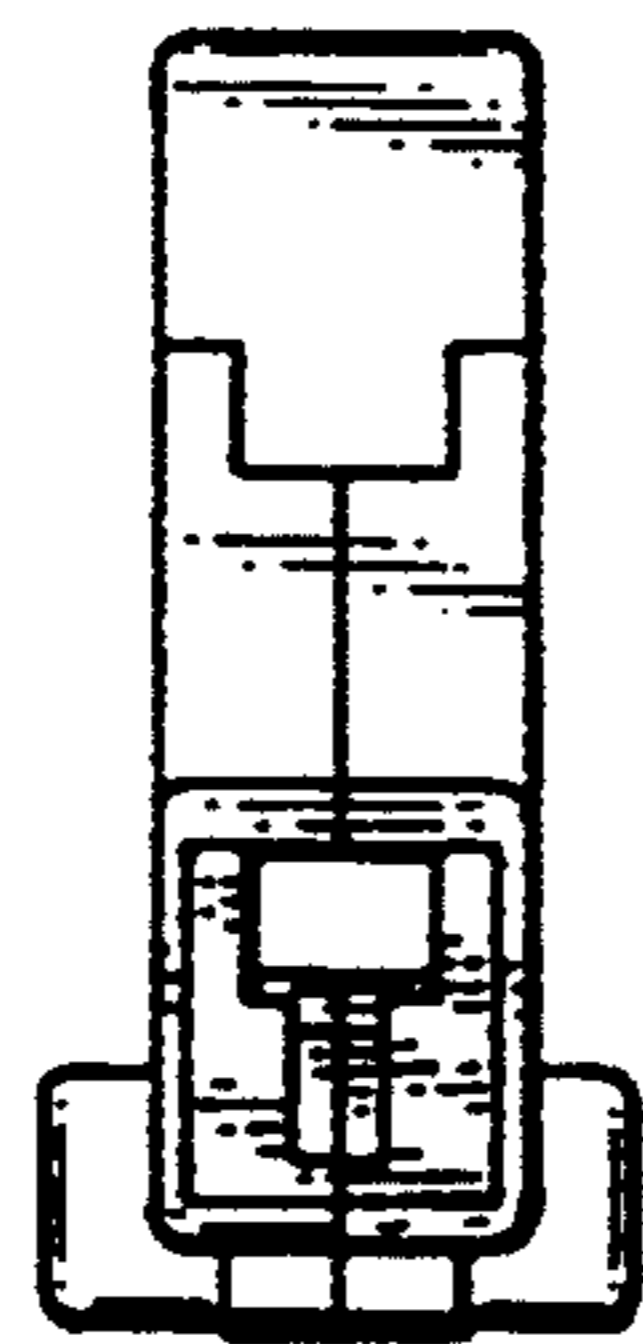


FIG.13

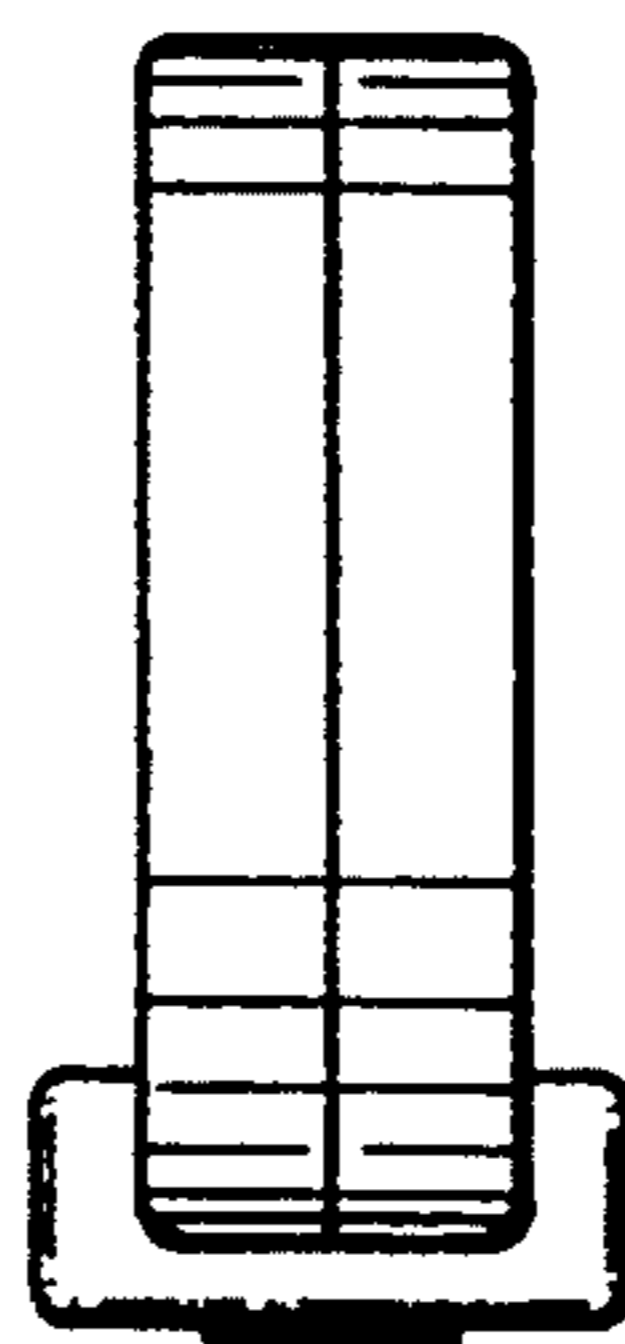


FIG.14

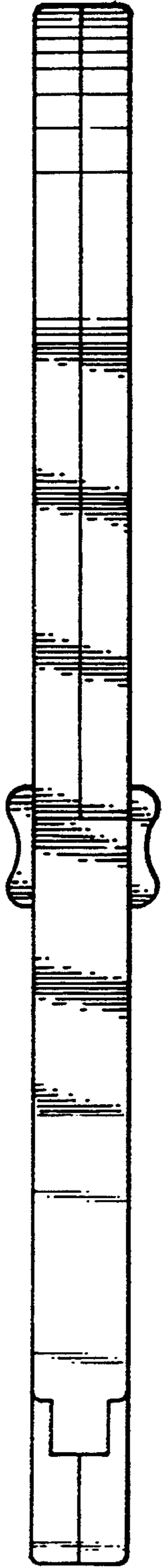


FIG.15

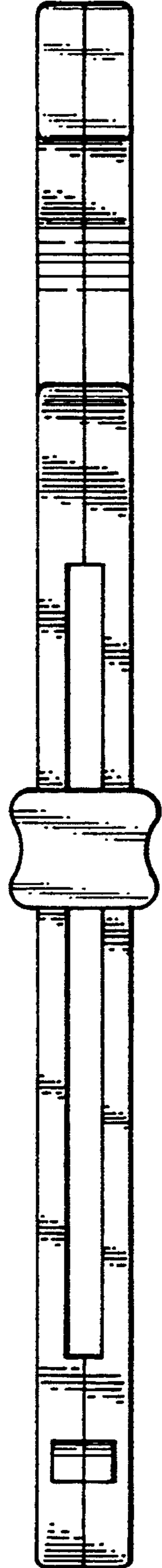


FIG.16

