



US00D355277S

United States Patent [19]

[11] Patent Number: **Des. 355,277**

Uchiyama et al.

[45] Date of Patent: **** Feb. 7, 1995**

[54] **CUTTER FOR ELECTRIC SHAVER**

[75] Inventors: **Hiromi Uchiyama; Masaki Okabe,**
both of Nagano, Japan

[73] Assignee: **Izumi Products Company,** Nagano,
Japan

[**] Term: **14 Years**

[21] Appl. No.: **905,634**

[22] Filed: **Jun. 26, 1992**

[30] **Foreign Application Priority Data**

Dec. 28, 1991 [JP] Japan 3-39727

[52] U.S. Cl. **D28/50**

[58] Field of Search **D28/49-51;**
30/43.4-43.92, 90, 346.5, 346.51, 347, DIG. 1,
DIG. 2

[56] **References Cited**

U.S. PATENT DOCUMENTS

3,261,091 7/1966 Van Den Driest 30/43.6

3,264,733 8/1966 Tiemes et al. 30/43.6
3,919,770 11/1975 Sakai et al. 30/43.6
4,192,065 3/1980 Tietjens 30/43.6
4,630,370 12/1986 Hamada 30/346.51
4,635,360 1/1987 Tanahashi 30/43.6

Primary Examiner—B. J. Bullock
Attorney, Agent, or Firm—Koda and Androlia

[57] **CLAIM**

The ornamental design for a cutter for electric shaver,
as shown and described.

DESCRIPTION

FIG. 1 is a top plan view of the cutter for electric shaver showing our new design;
FIG. 2 is a bottom plan view thereof;
FIG. 3 is a front elevational view thereof; the rear elevational view being a mirror image;
FIG. 4 is a right side elevational view thereof, the left side elevational view being a mirror image; and,
FIG. 5 is a perspective view showing a cutter for electric shaver of our new design.

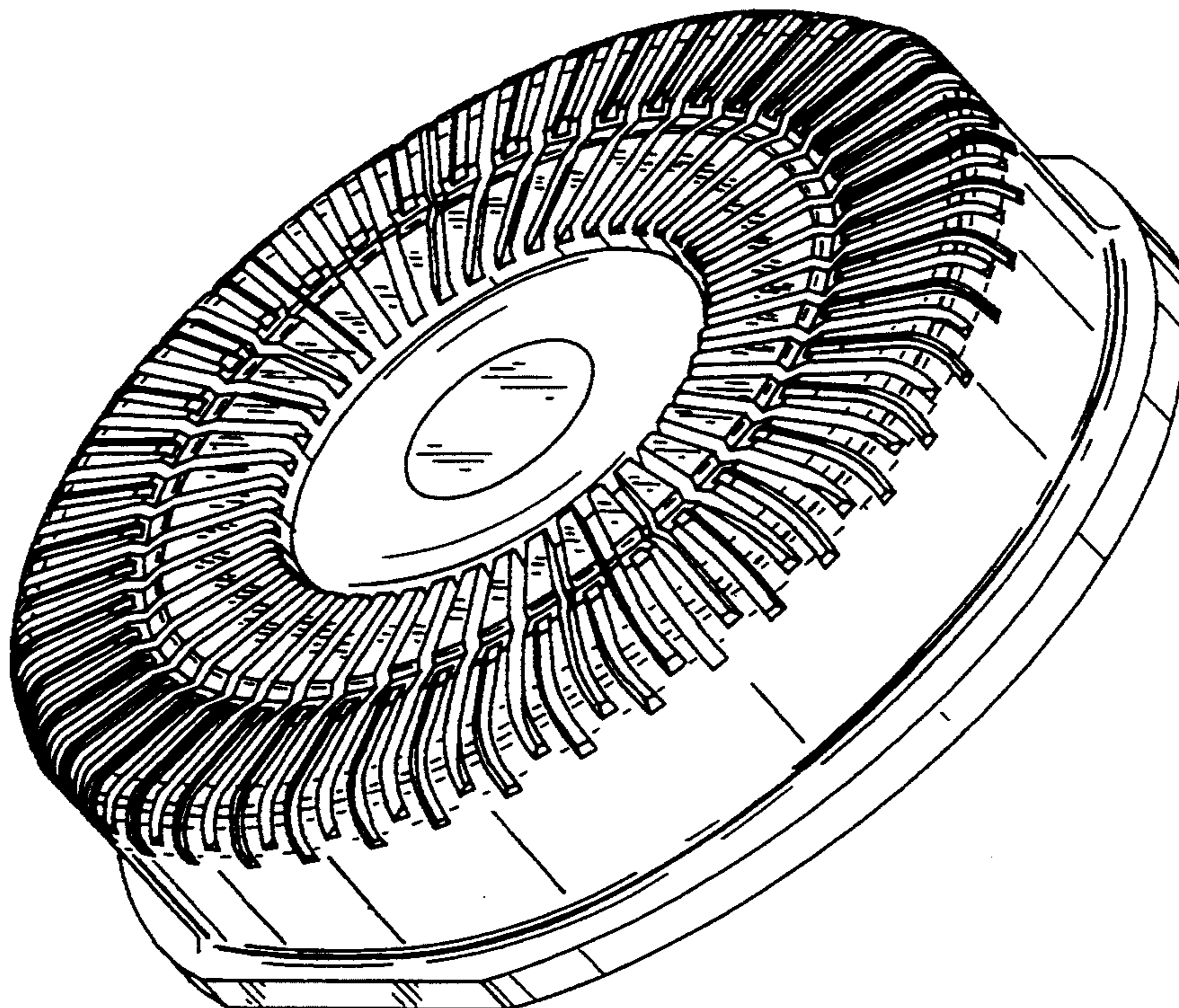


FIG. 1

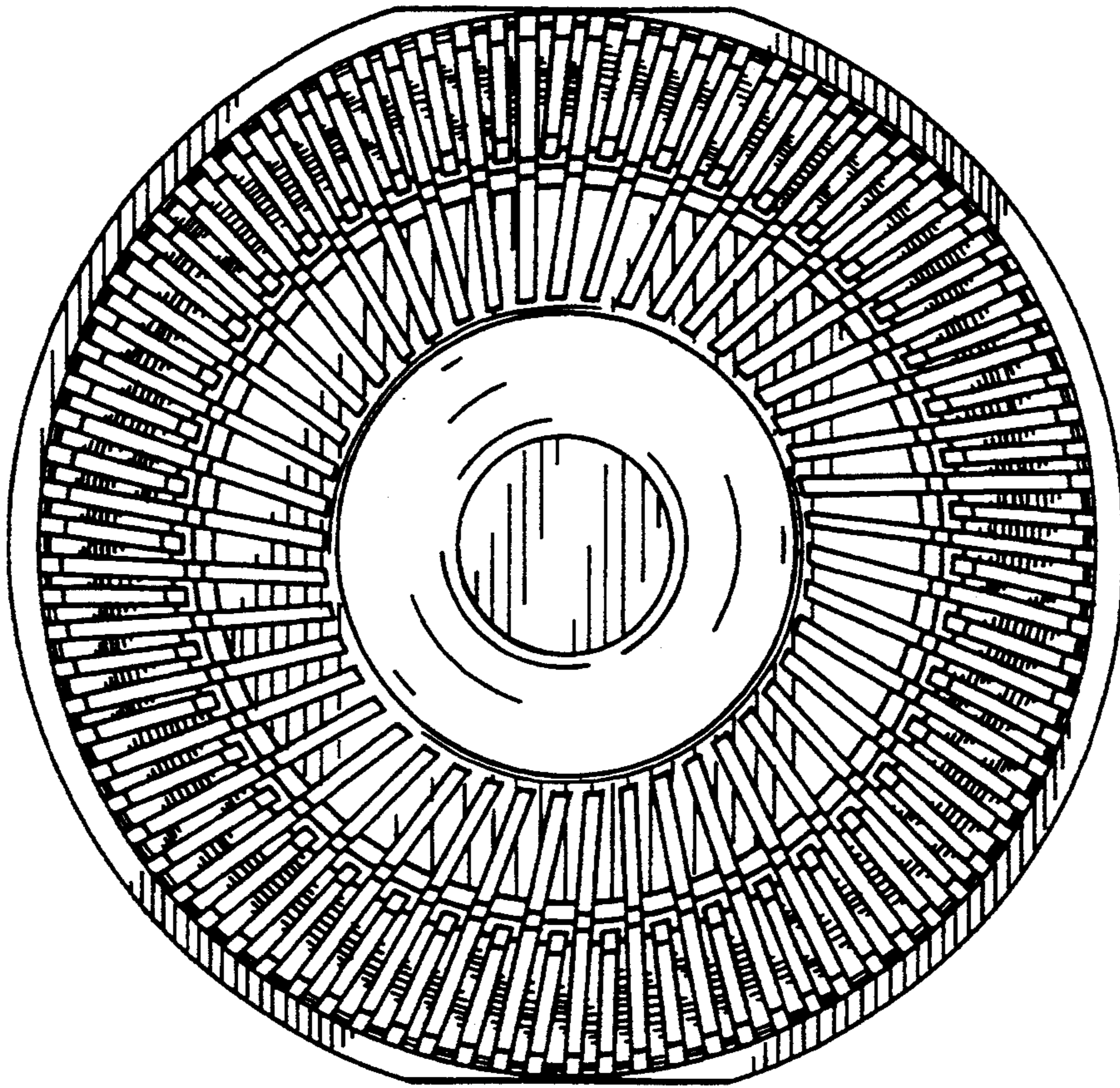


FIG. 3

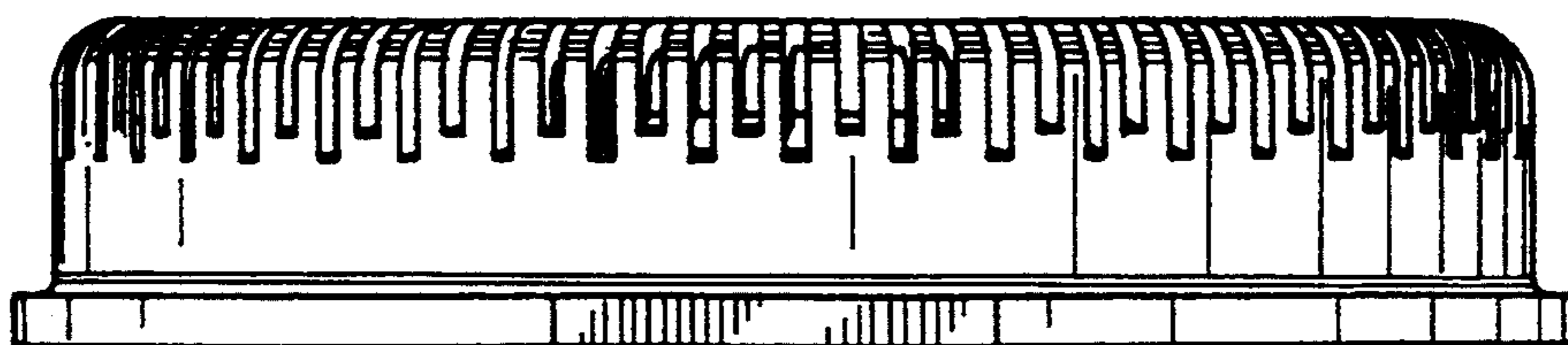


FIG. 2

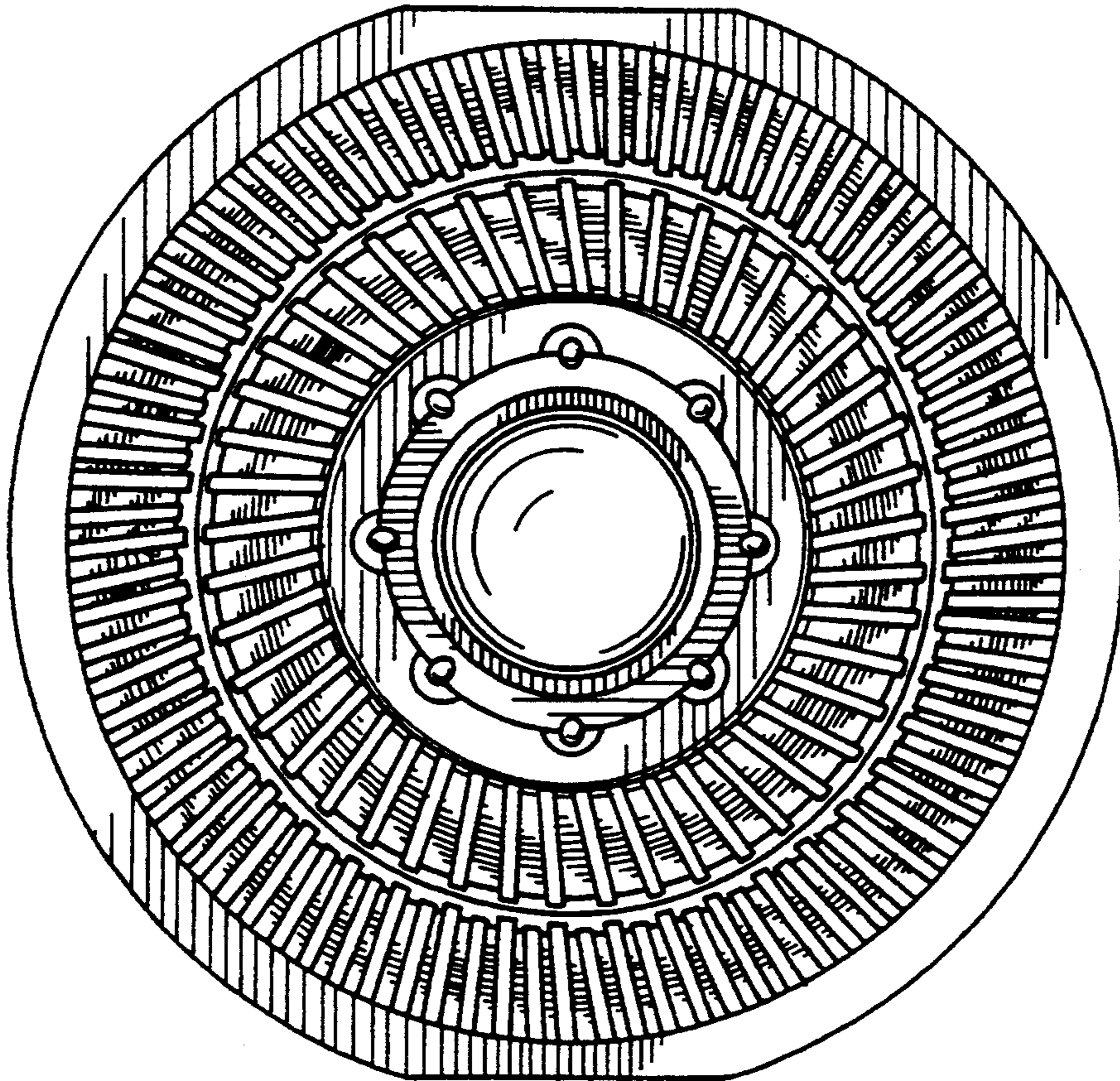
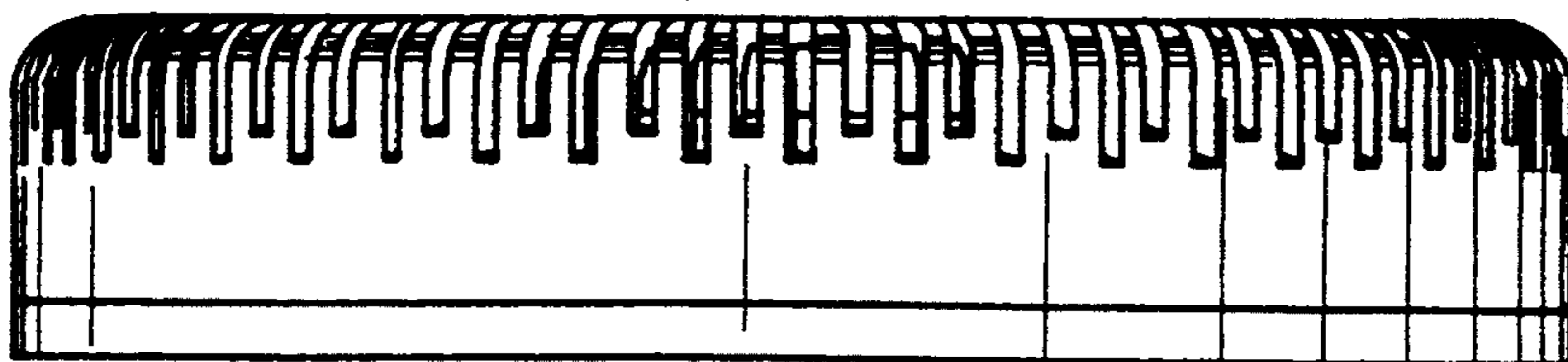


FIG. 4



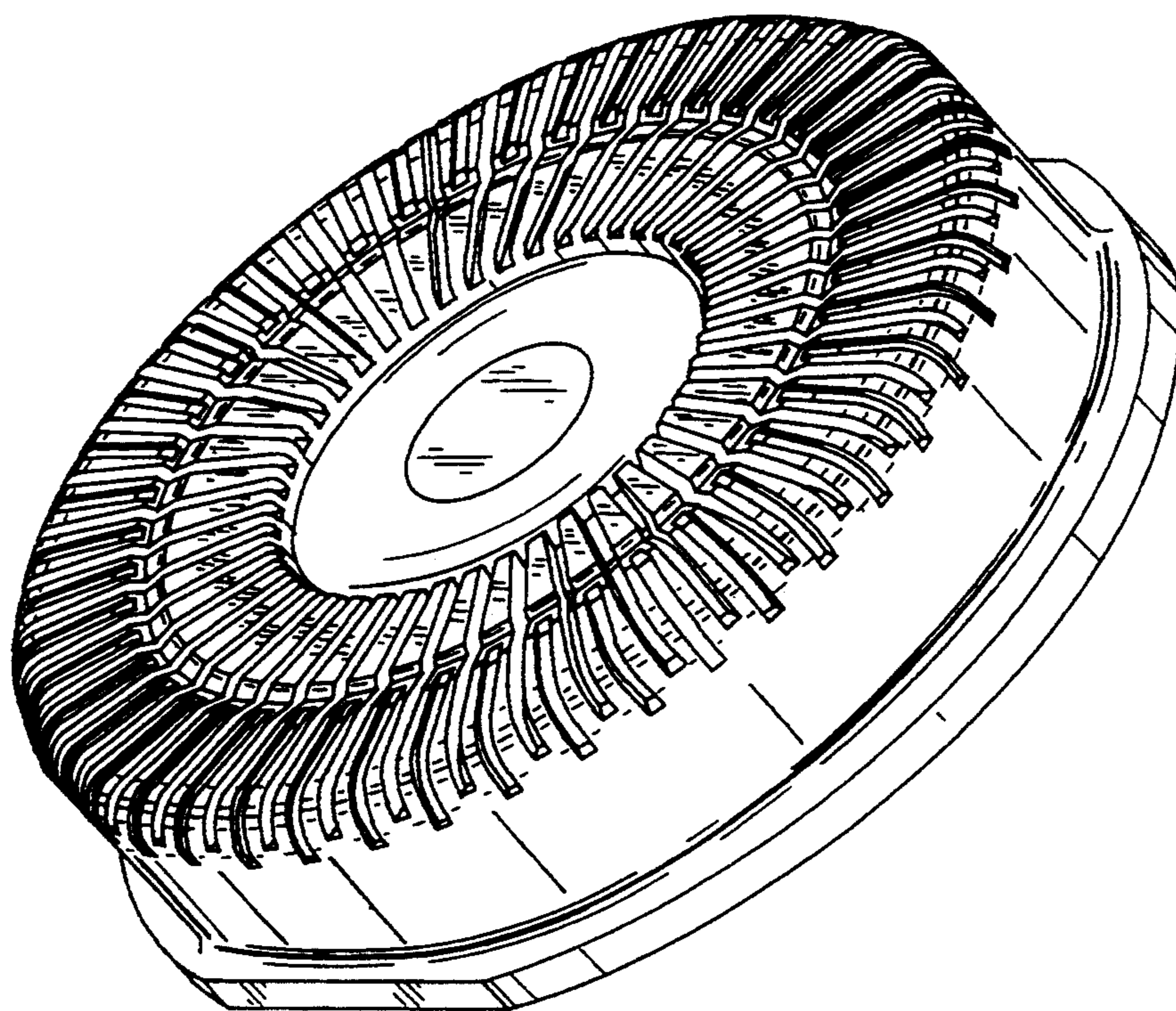


FIG. 5