



US00D355270S

United States Patent [19]

[11] Patent Number: **Des. 355,270**

Spencer

[45] Date of Patent: **** Feb. 7, 1995**

- [54] **MAGNETIC TOW LIGHT**
- [75] Inventor: **Richard A. Spencer**, North Canton, Ohio
- [73] Assignee: **Titan-S-Mfg., Inc.**, North Canton, Ohio
- [**] Term: **14 Years**
- [21] Appl. No.: **18,927**
- [22] Filed: **Feb. 18, 1994**
- [52] U.S. Cl. **D26/28; D10/114**
- [58] Field of Search **D26/28-35; D10/109, 114, 115; 362/61, 62, 157, 183, 192, 194, 195, 282, 311, 362, 811, 812**

1,806,769	3/1931	Straw	362/812
1,955,947	4/1934	Clark	362/812
2,614,207	10/1952	Smith	D20/10
3,500,378	3/1970	Pickering et al.	D10/114
3,697,738	10/1972	Decker	D10/114

Primary Examiner—James M. Gandy
Assistant Examiner—Marcus Jackson
Attorney, Agent, or Firm—Michael Sand Co.

[57] CLAIM

The ornamental design for a magnetic tow light, as shown and described.

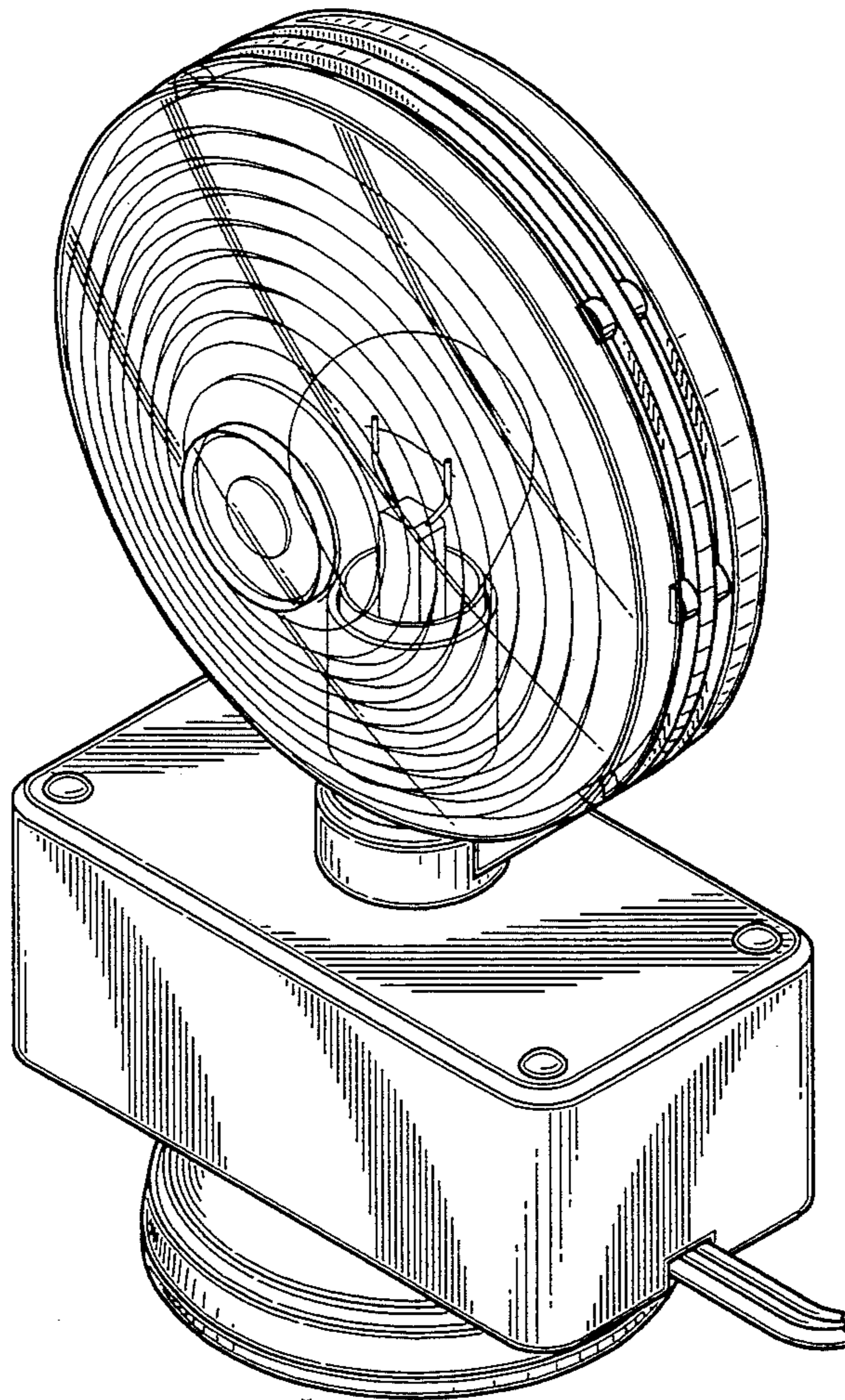
DESCRIPTION

FIG. 1 is a perspective view of a magnetic tow light showing my new design, with the cord broken away to indicated indeterminate length;
 FIG. 2 is a front elevational view thereof;
 FIG. 3 is a right side elevational view of FIG. 2;
 FIG. 4 is a rear elevational view thereof;
 FIG. 5 is a right side elevational view of FIG. 4;
 FIG. 6 is a top plan view thereof; and,
 FIG. 7 is a bottom plan view thereof.

[56] References Cited

U.S. PATENT DOCUMENTS

D. 198,275	5/1964	Sweet	D10/114
D. 213,530	3/1969	Kahn	D10/114
D. 254,658	4/1980	Wagner	D10/114
D. 327,029	6/1992	Porter	D10/114
1,521,640	1/1925	McSavaney	362/812



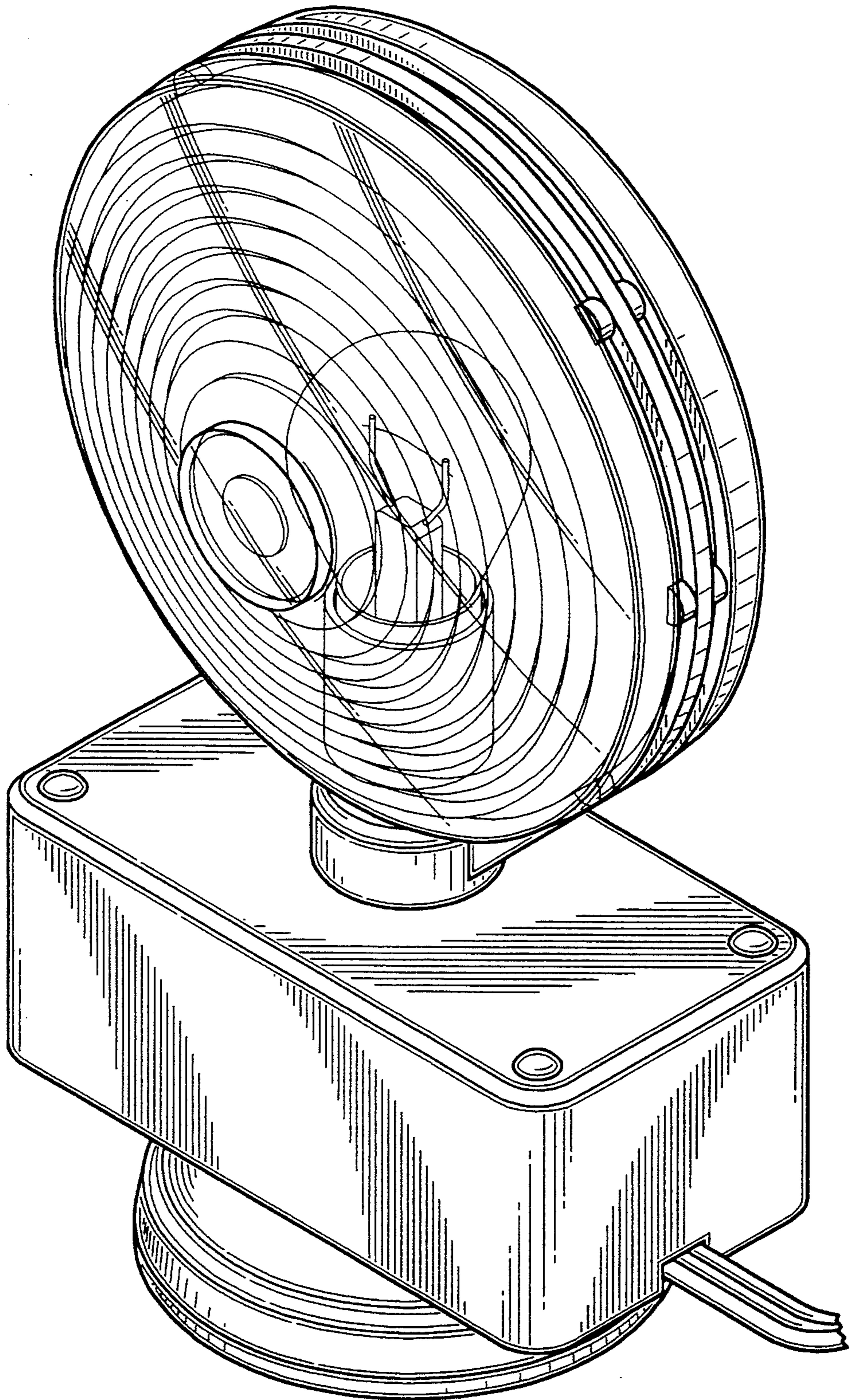


FIG-1

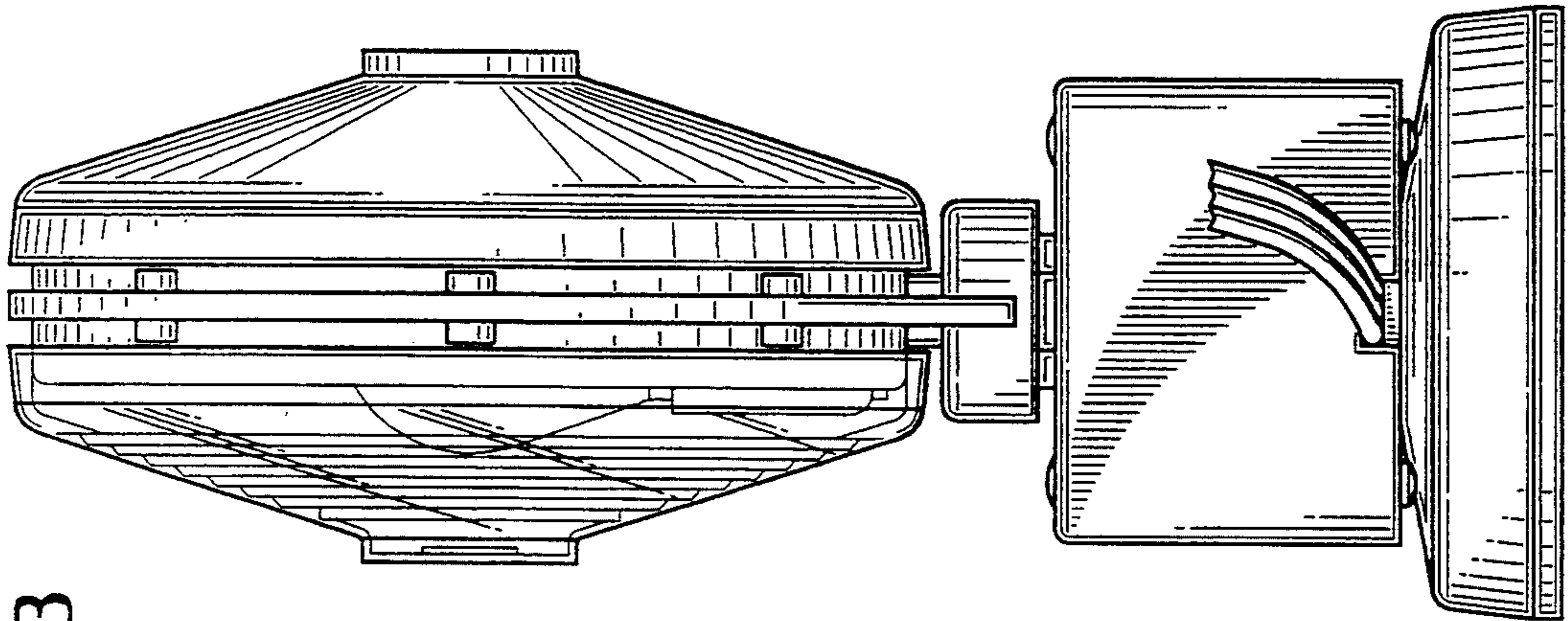


FIG-3

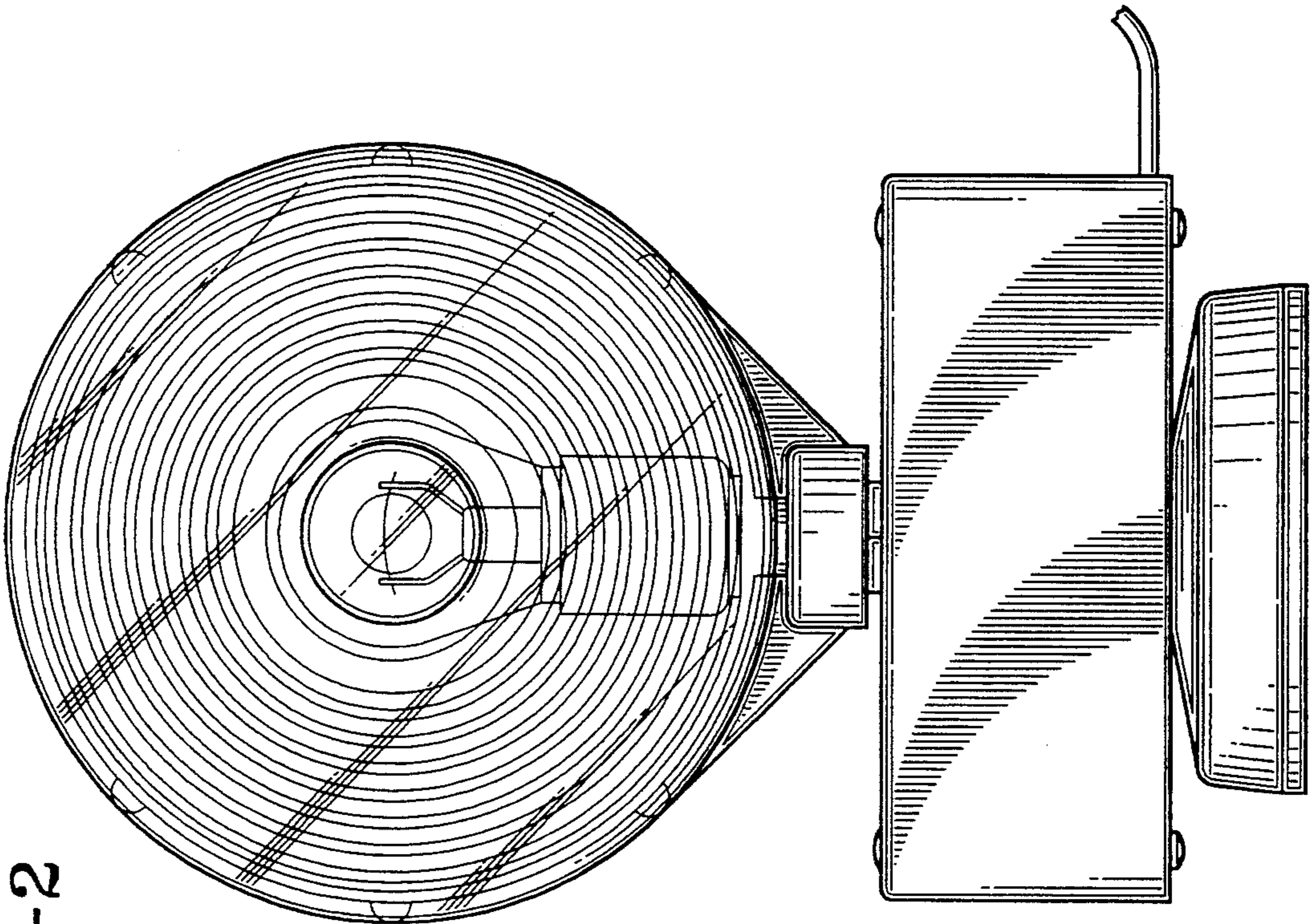


FIG-2

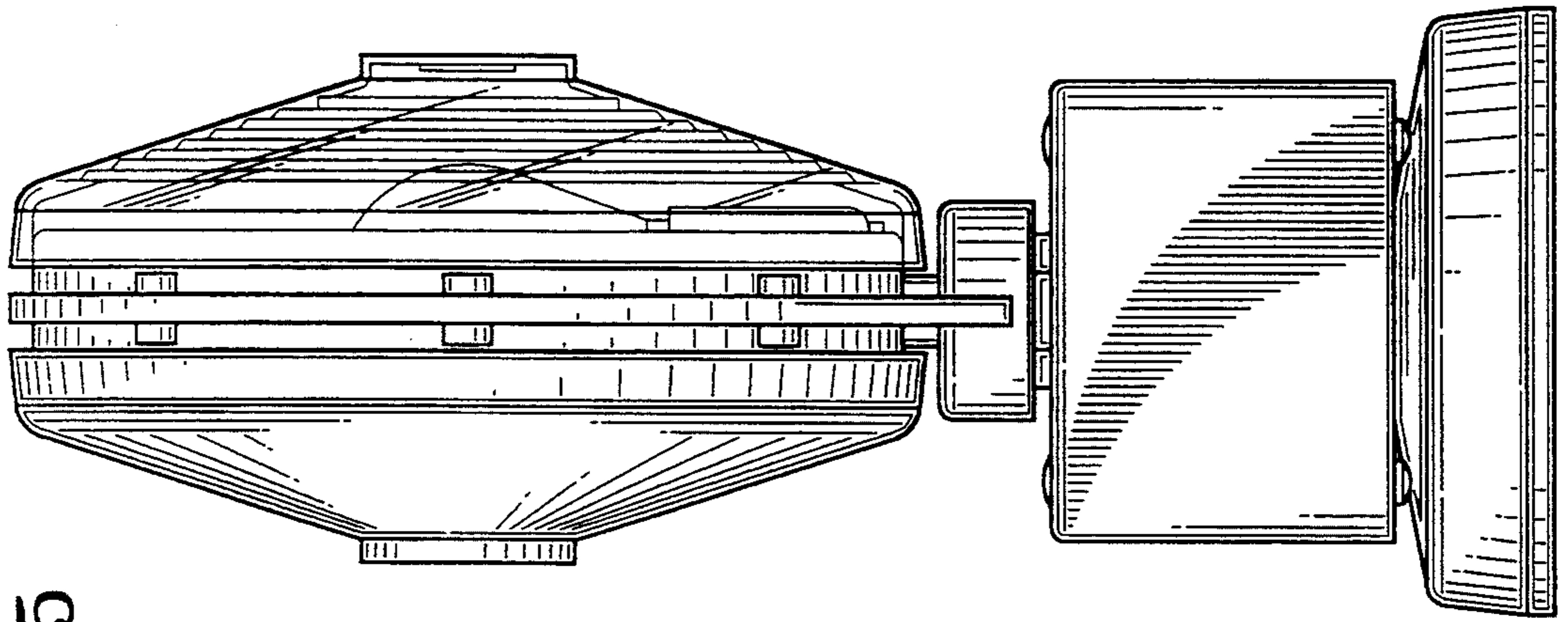


FIG-5

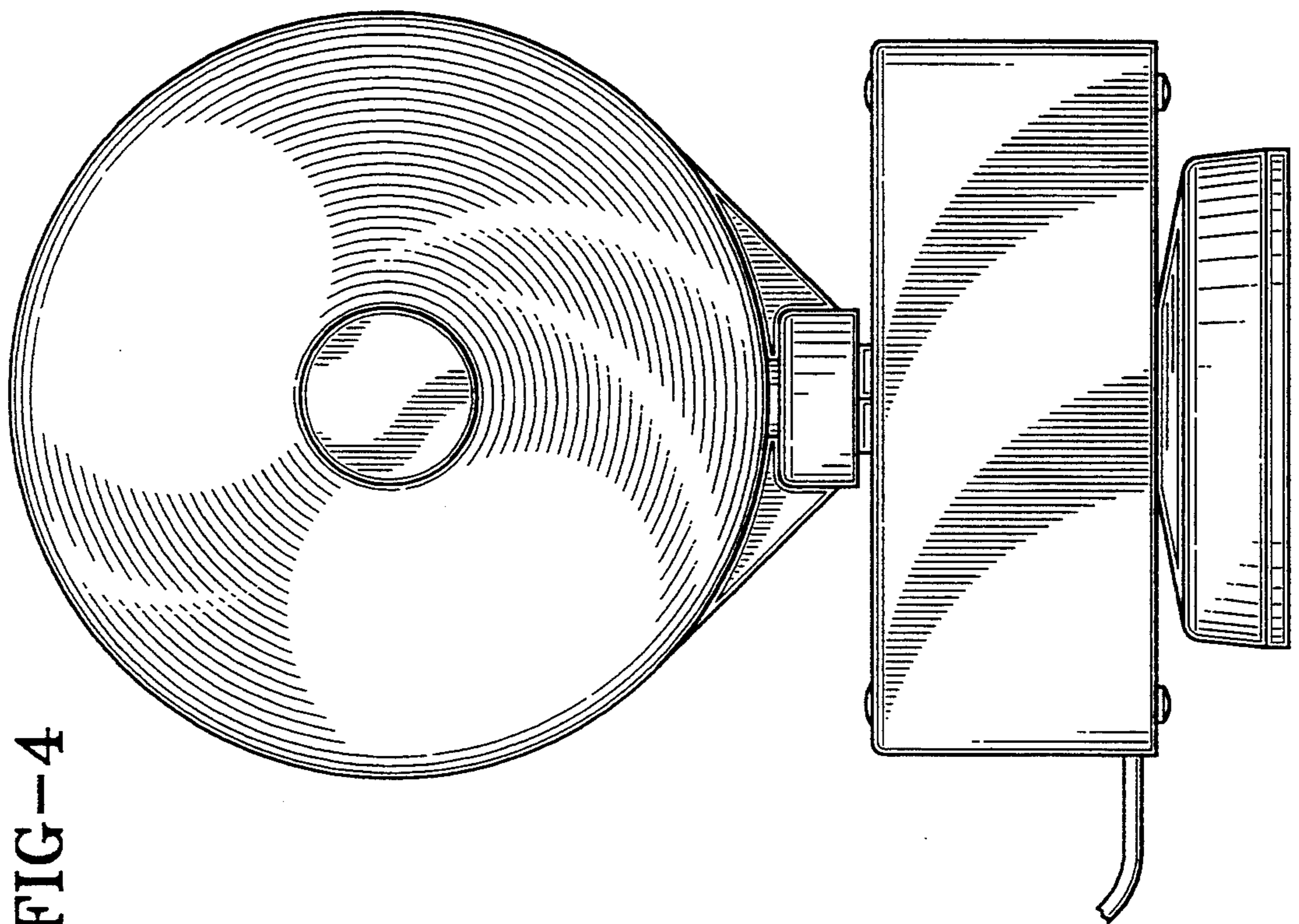


FIG-4

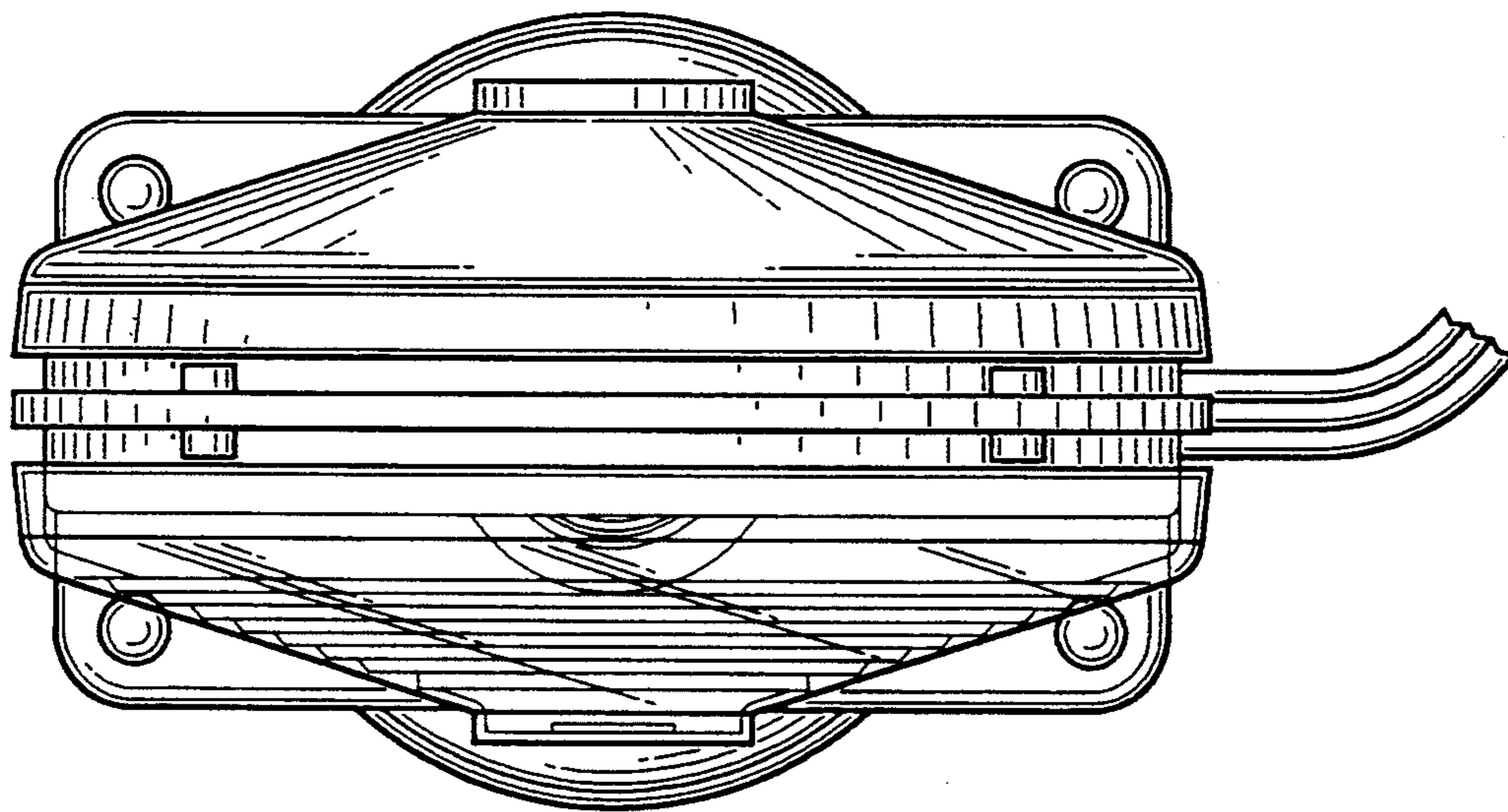


FIG-6

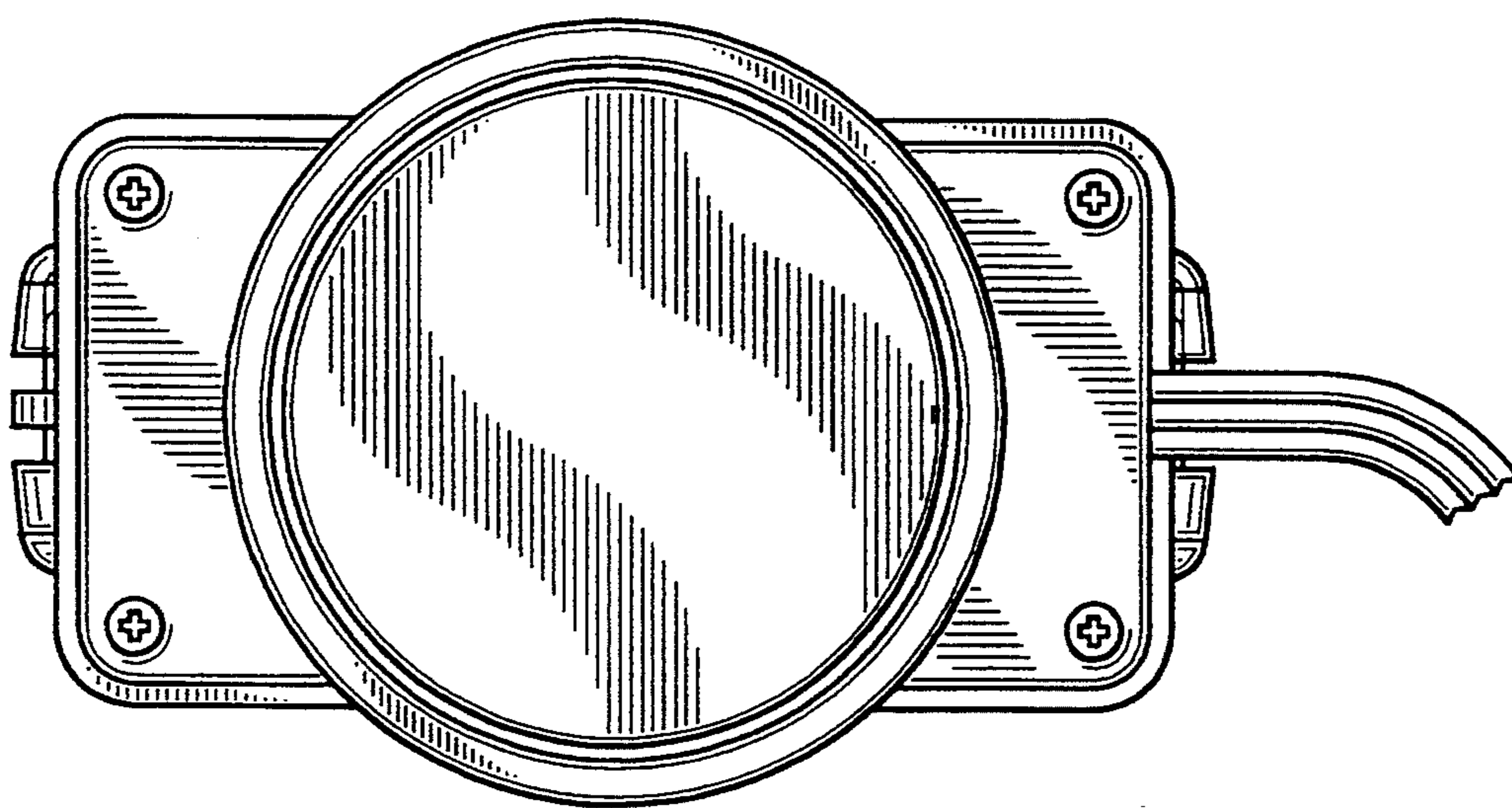


FIG-7