



US00D355269S

United States Patent [19]

[11] Patent Number: **Des. 355,269**

Matthies

[45] Date of Patent: **** Feb. 7, 1995**

[54] HOUSING FOR A MOTORCYCLE HEADLIGHT

4,515,405 5/1985 Ogishima 362/72
5,217,087 6/1993 Ikegami et al. 362/72

[76] Inventor: **Lawayne L. Matthies**, 809 Manor St., Grand Prairie, Tex. 75050

Primary Examiner—Wallace R. Burke
Assistant Examiner—Marcus Jackson
Attorney, Agent, or Firm—Andrew M. Hassell

[**] Term: **14 Years**

[57] **CLAIM**

[21] Appl. No.: **18,582**

The ornamental design for a housing for a motorcycle headlight, as shown and described.

[22] Filed: **Feb. 9, 1994**

[52] U.S. Cl. **D26/28**

DESCRIPTION

[58] Field of Search **D26/28-35;**
362/61, 62, 64, 72, 73, 80, 81, 82, 83, 84

FIG. 1 is a perspective view depicting the housing for a motorcycle headlight according to the invention;

[56] **References Cited**

U.S. PATENT DOCUMENTS

4,121,278 10/1978 Doll 362/72
4,320,906 3/1982 Saunders, IV 362/72
4,356,536 10/1982 Funabashi et al. 362/72

FIG. 2 is a top view;

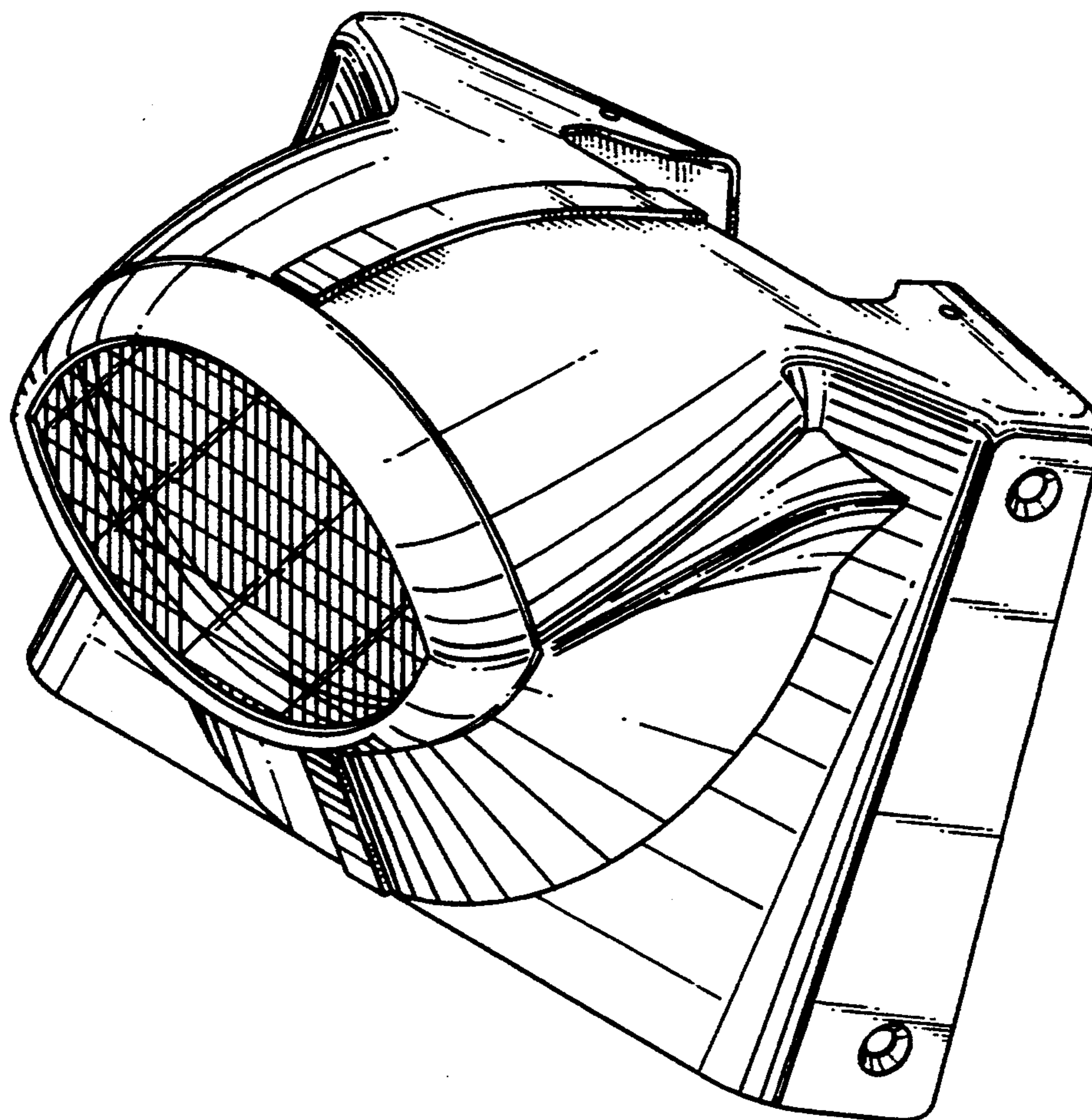
FIG. 3 is a front elevation view;

FIG. 4 is a side view;

FIG. 5 is a rear view;

FIG. 6 is a side view; and,

FIG. 7 is a bottom view.



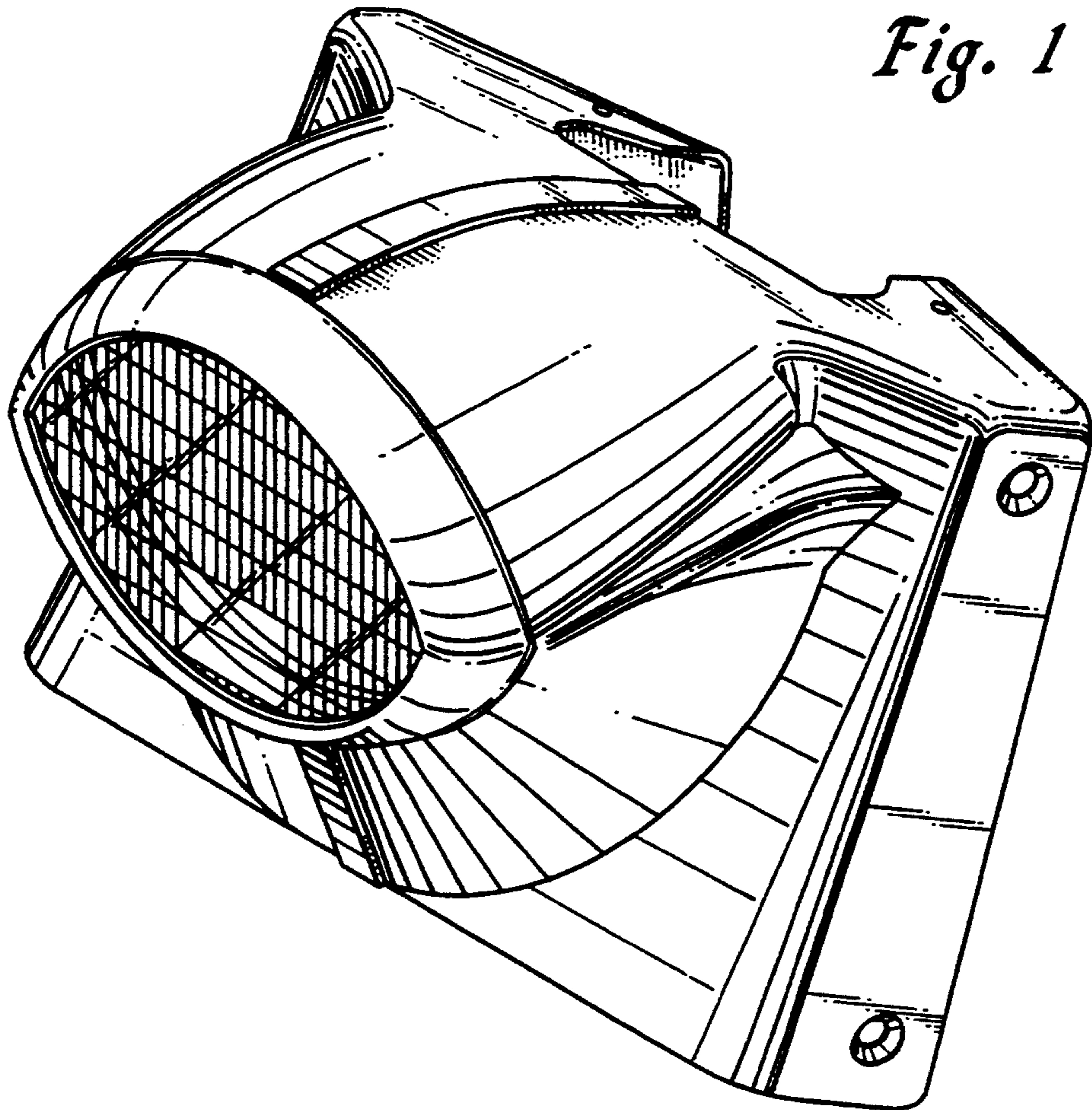


Fig. 1

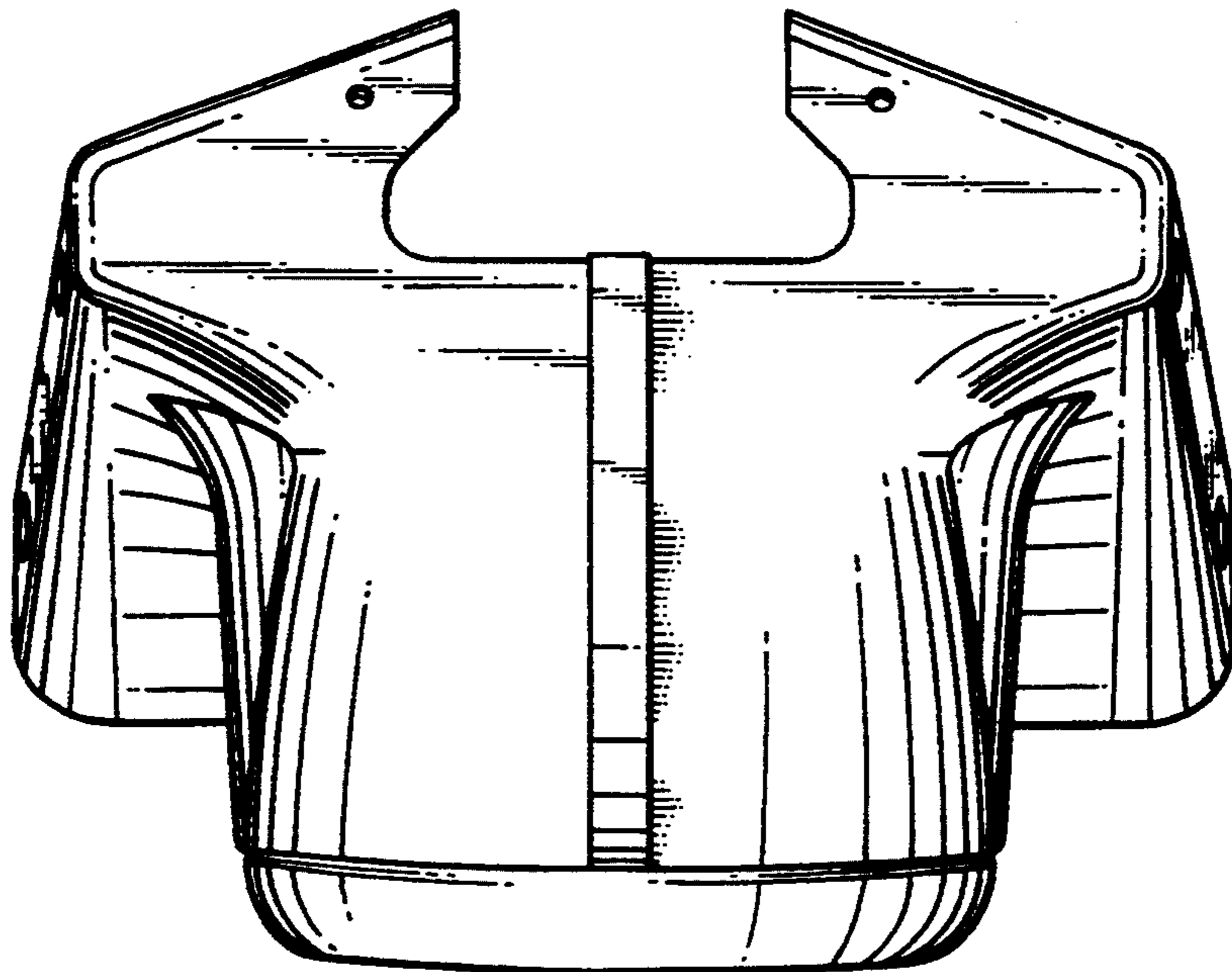


Fig. 2

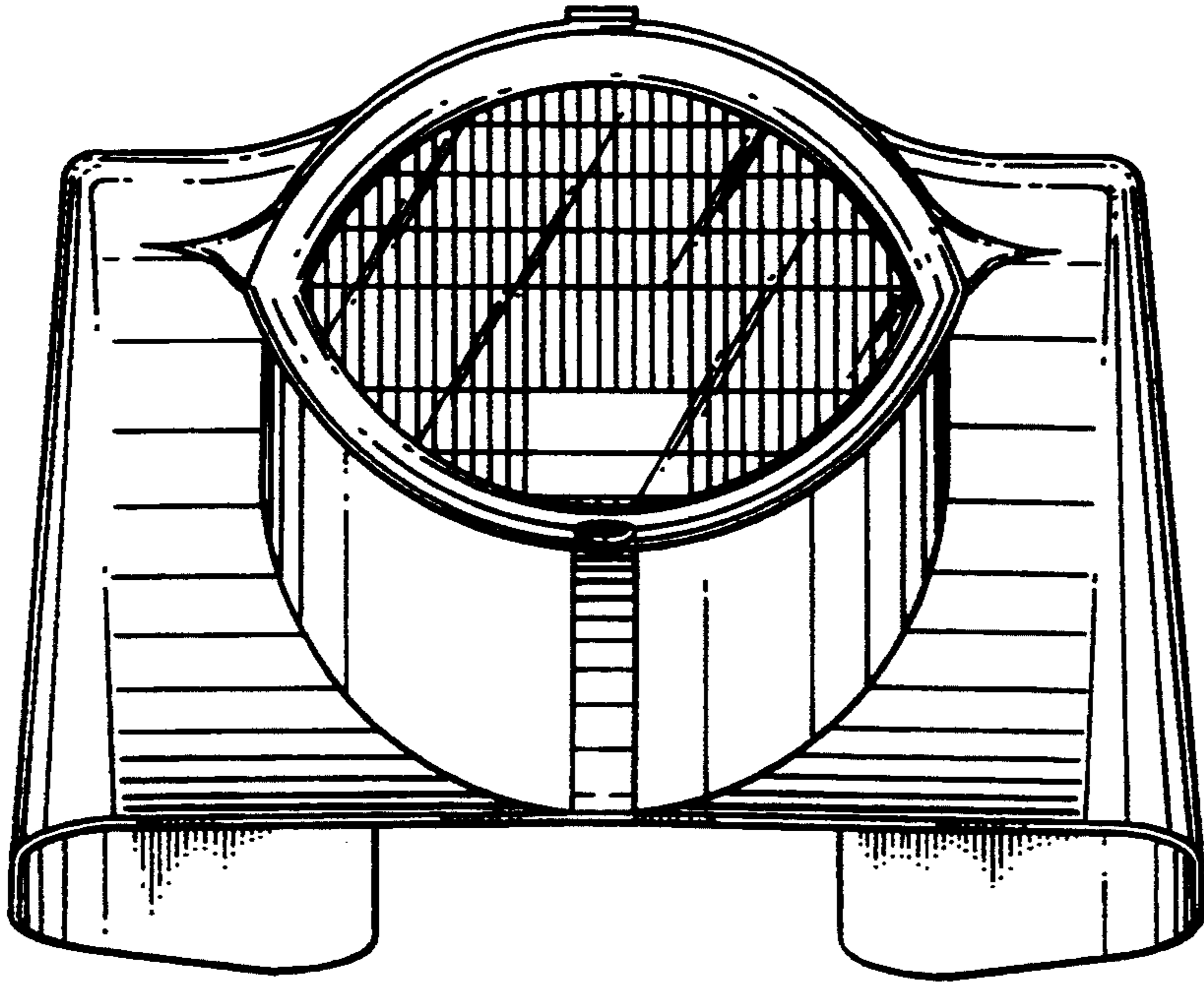


Fig. 3

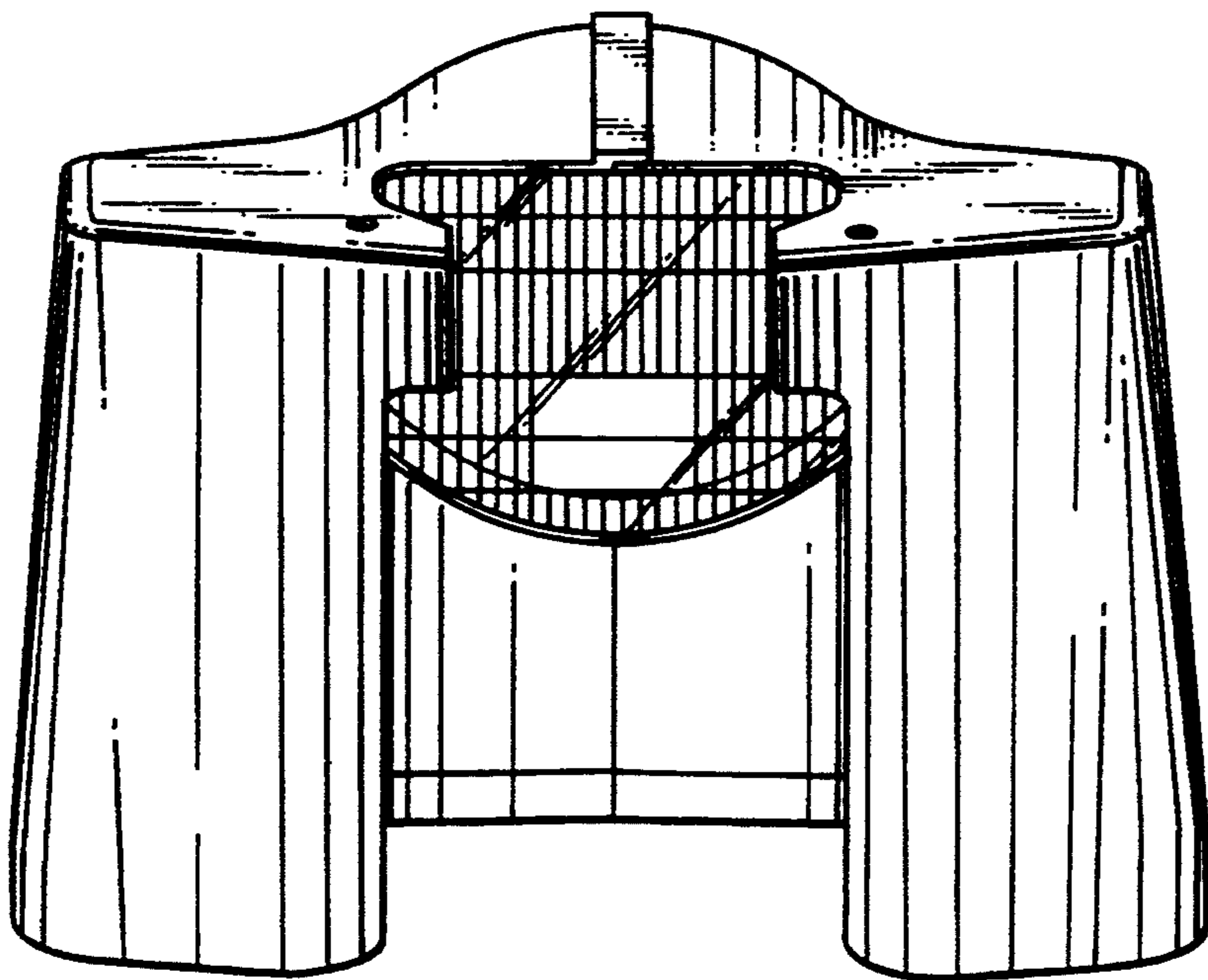


Fig. 5

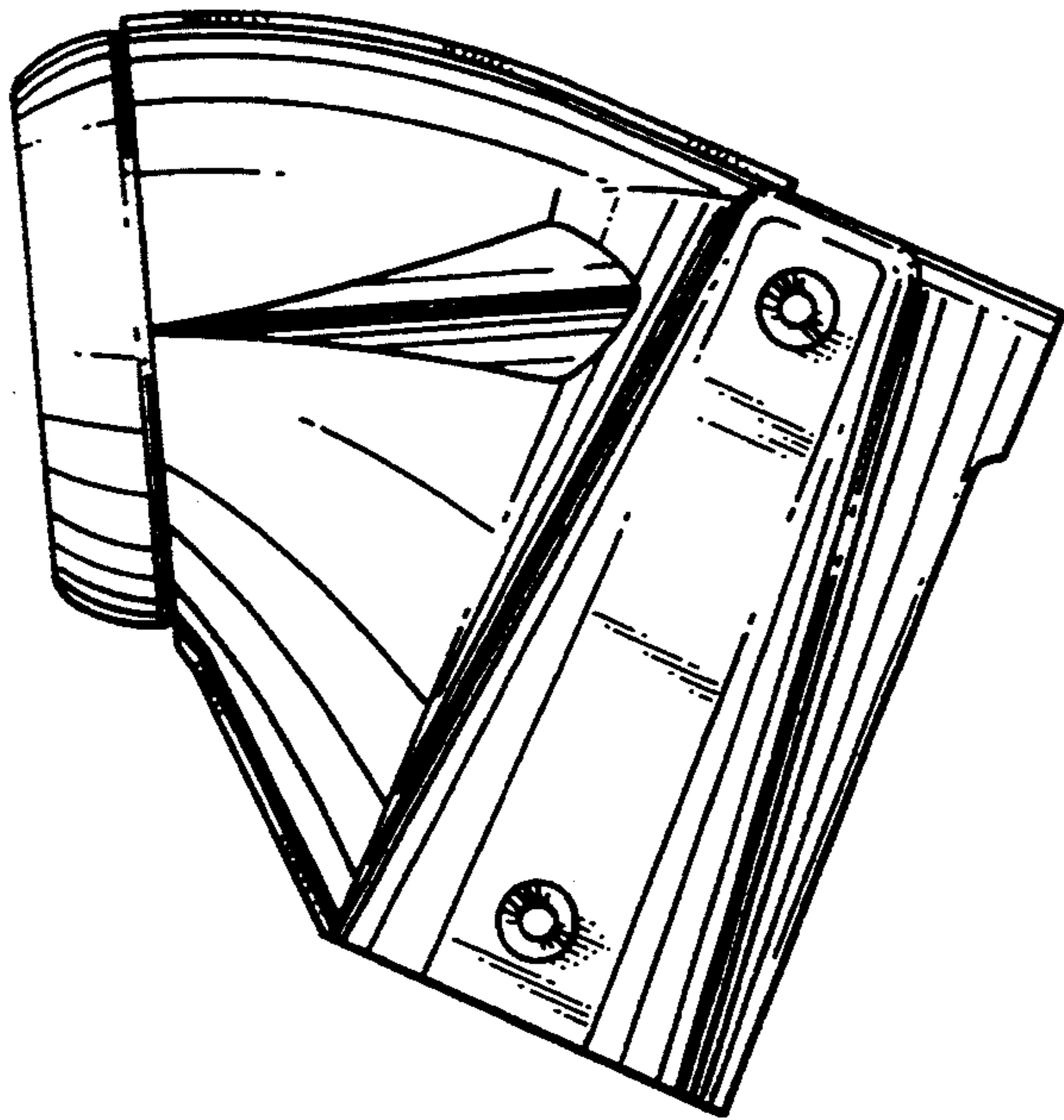


Fig. 4

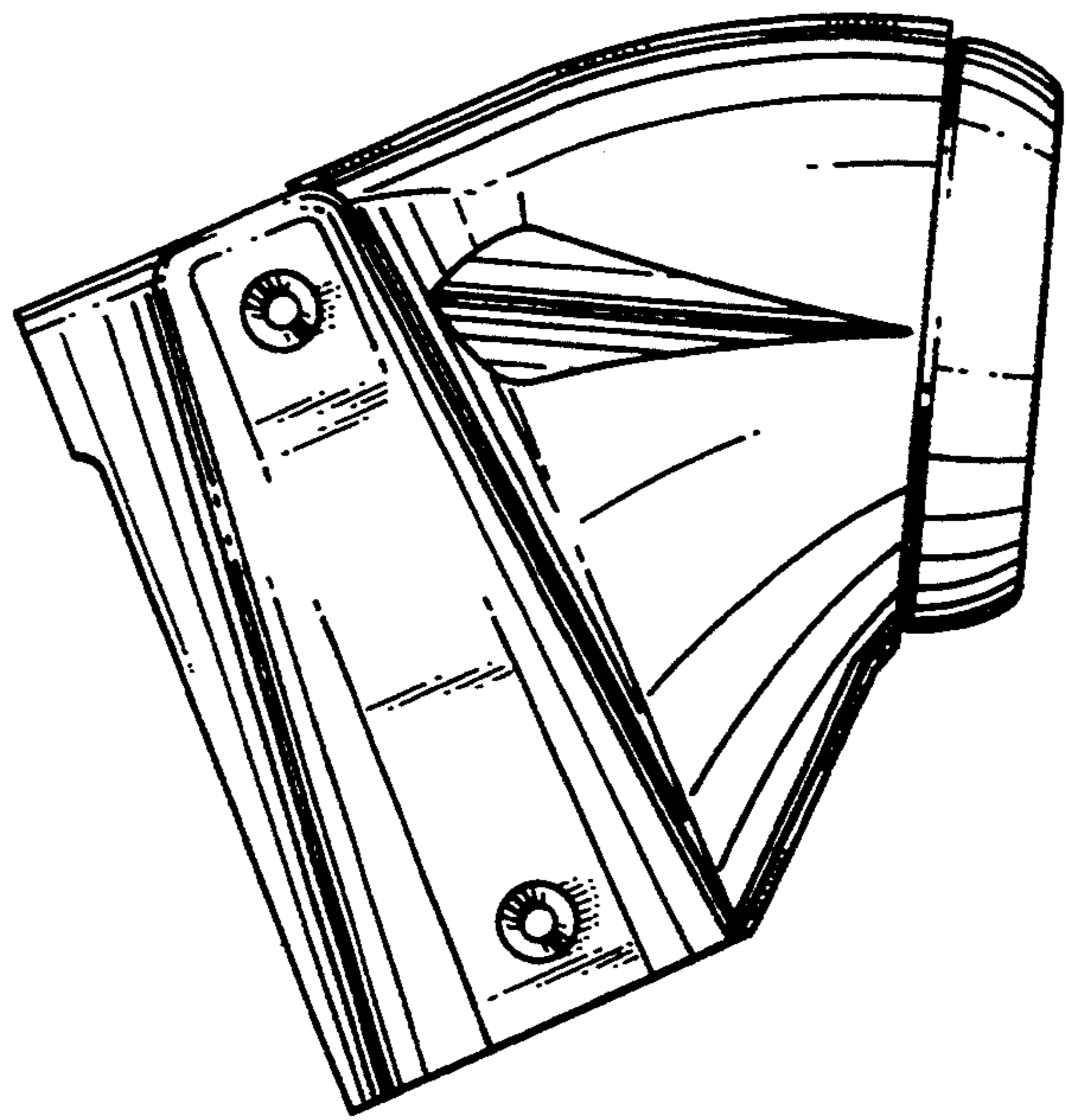


Fig. 6

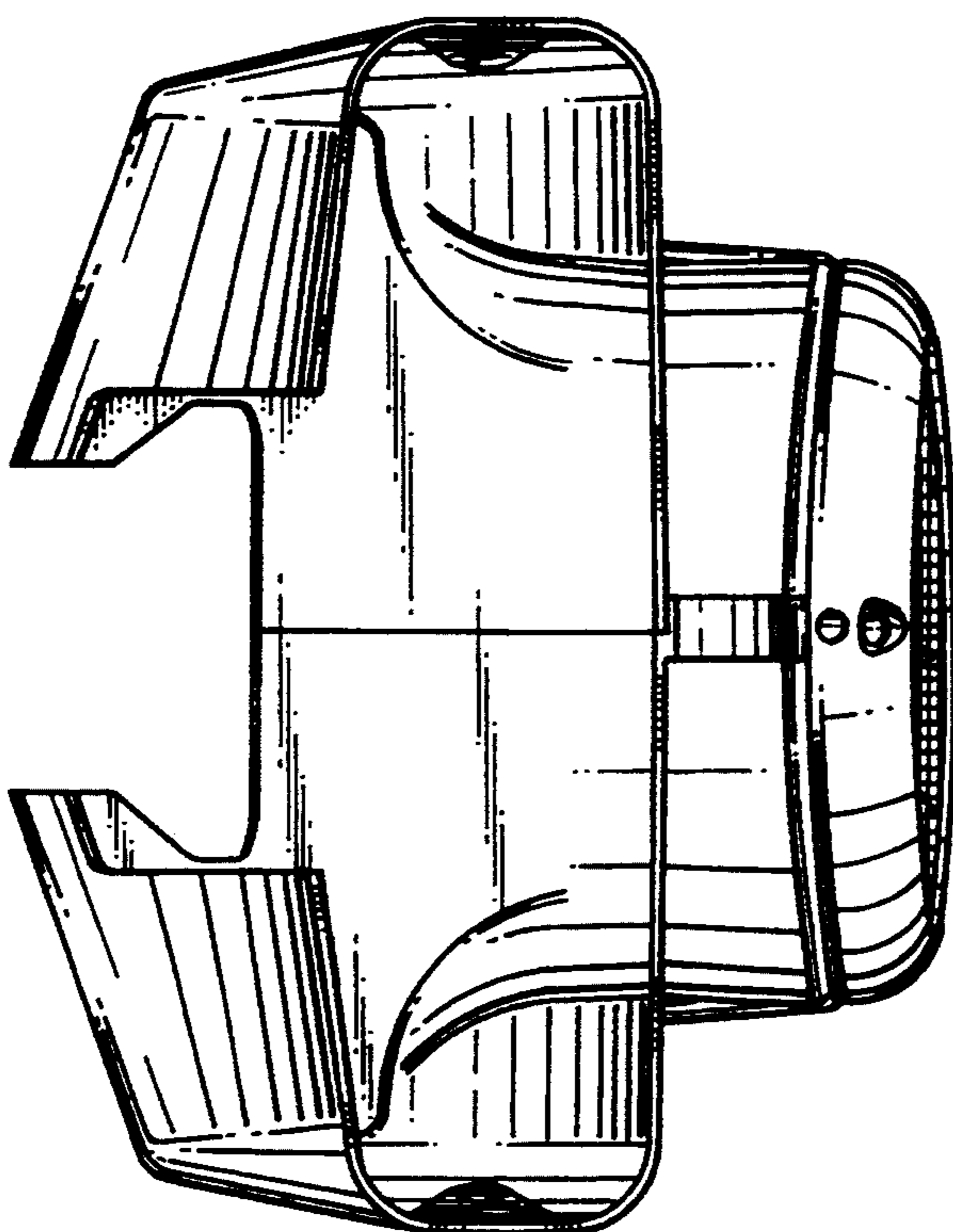


Fig. 7