



US00D355265S

# United States Patent [19]

[11] Patent Number: **Des. 355,265**

Creightney

[45] Date of Patent: **\*\* Feb. 7, 1995**

[54] **ELECTRIC LAMP**

3,634,679 1/1972 Kryzton ..... D26/112  
5,270,609 12/1993 Smith et al. .... D26/2

[76] Inventor: **Kenneth Creightney**, 81 Columbia St.  
#D, New York, N.Y. 10002

*Primary Examiner*—James M. Gandy  
*Assistant Examiner*—Marcus Jackson  
*Attorney, Agent, or Firm*—Terry M. Gernstein

[\*\*] Term: **14 Years**

[21] Appl. No.: **19,477**

[57] **CLAIM**

[22] Filed: **Mar. 3, 1994**

The ornamental design for an electric lamp, as shown and described.

[52] U.S. Cl. .... **D26/2**

[58] Field of Search ..... D26/1, 2, 3, 4; 313/1,  
313/25, 315, 316, 317, 318, 578, 579

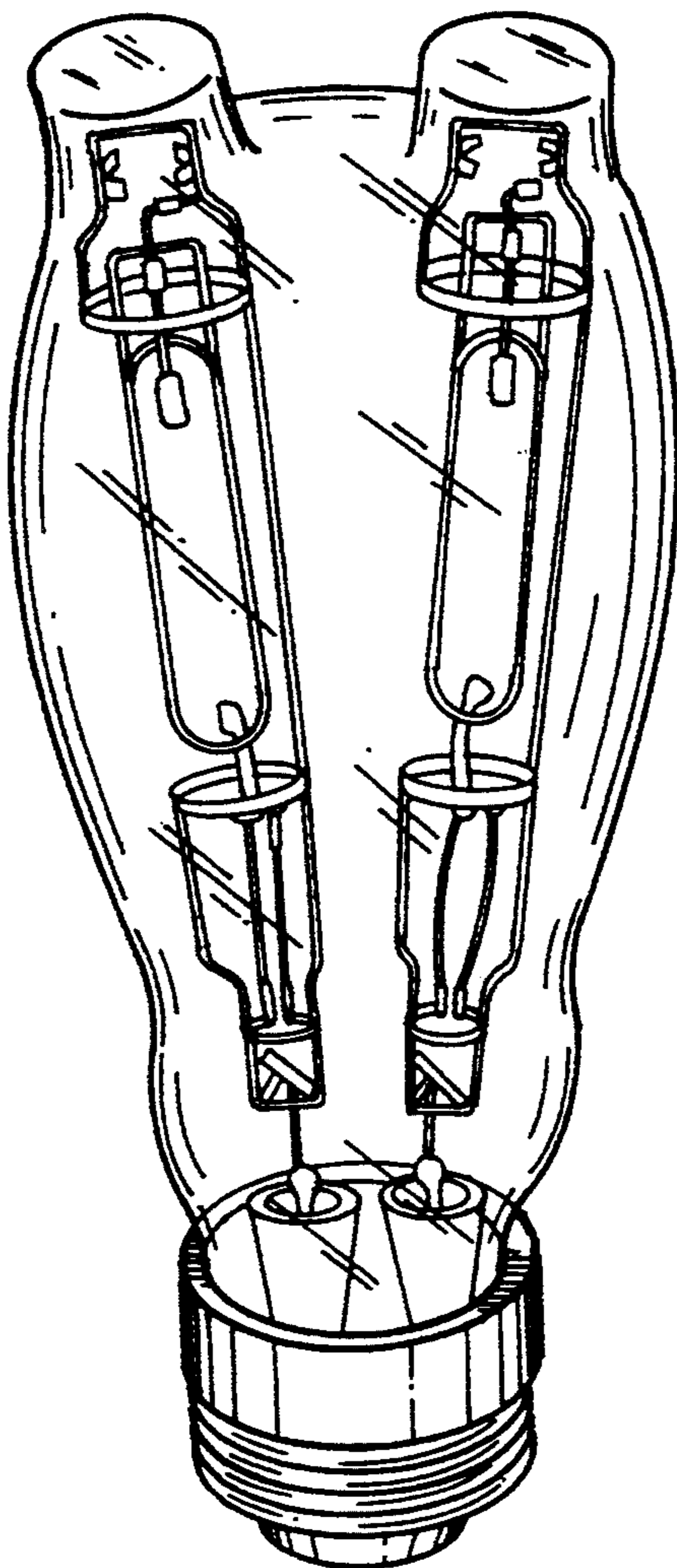
**DESCRIPTION**

[56] **References Cited**

FIG. 1 is a front, top and side perspective view of the electric lamp showing my new design;  
FIG. 2 is a front elevational view thereof, the rear being a mirror image of the front shown in FIG. 2;  
FIG. 3 is a side elevational view thereof, the side opposite being a mirror image of the side shown in FIG. 3;  
FIG. 4 is a top plan view thereof; and,  
FIG. 5 is a bottom plan view thereof.

**U.S. PATENT DOCUMENTS**

- D. 102,650 1/1937 Greenman ..... D26/2
- D. 201,554 7/1965 Pacini ..... D26/2
- D. 334,071 3/1993 Itoh et al. .... D26/2
- 839,869 1/1907 Muschenheim .
- 2,993,986 7/1961 Pleet ..... D26/112



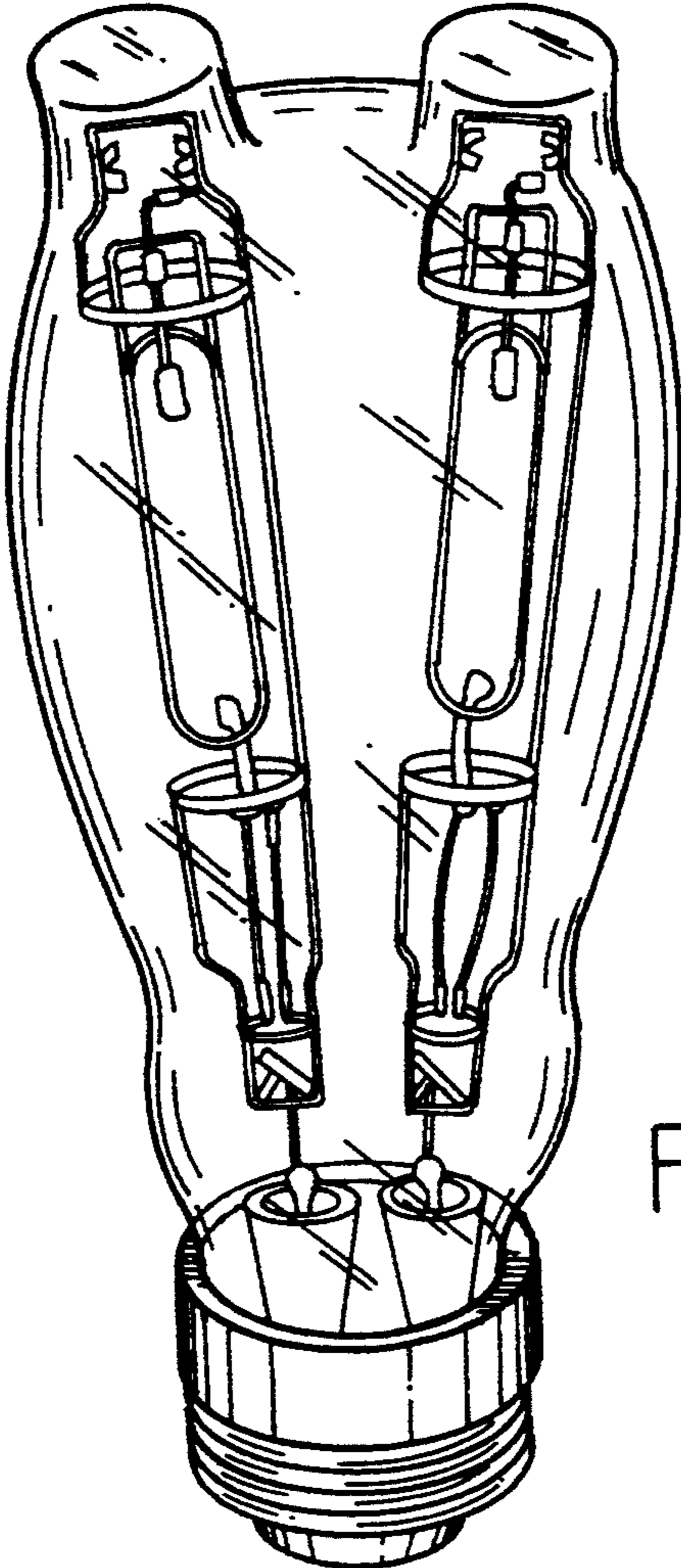


FIG.1.

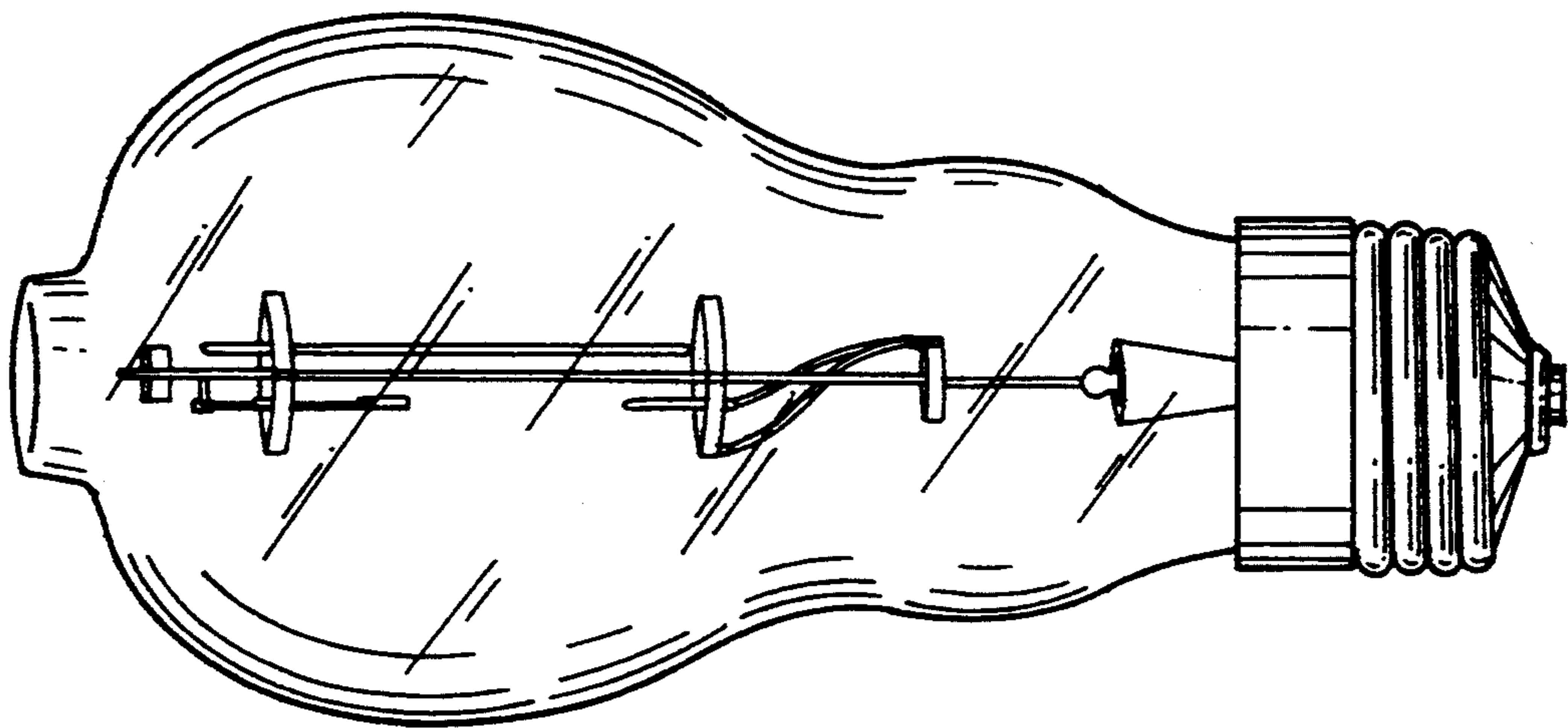


FIG. 3.

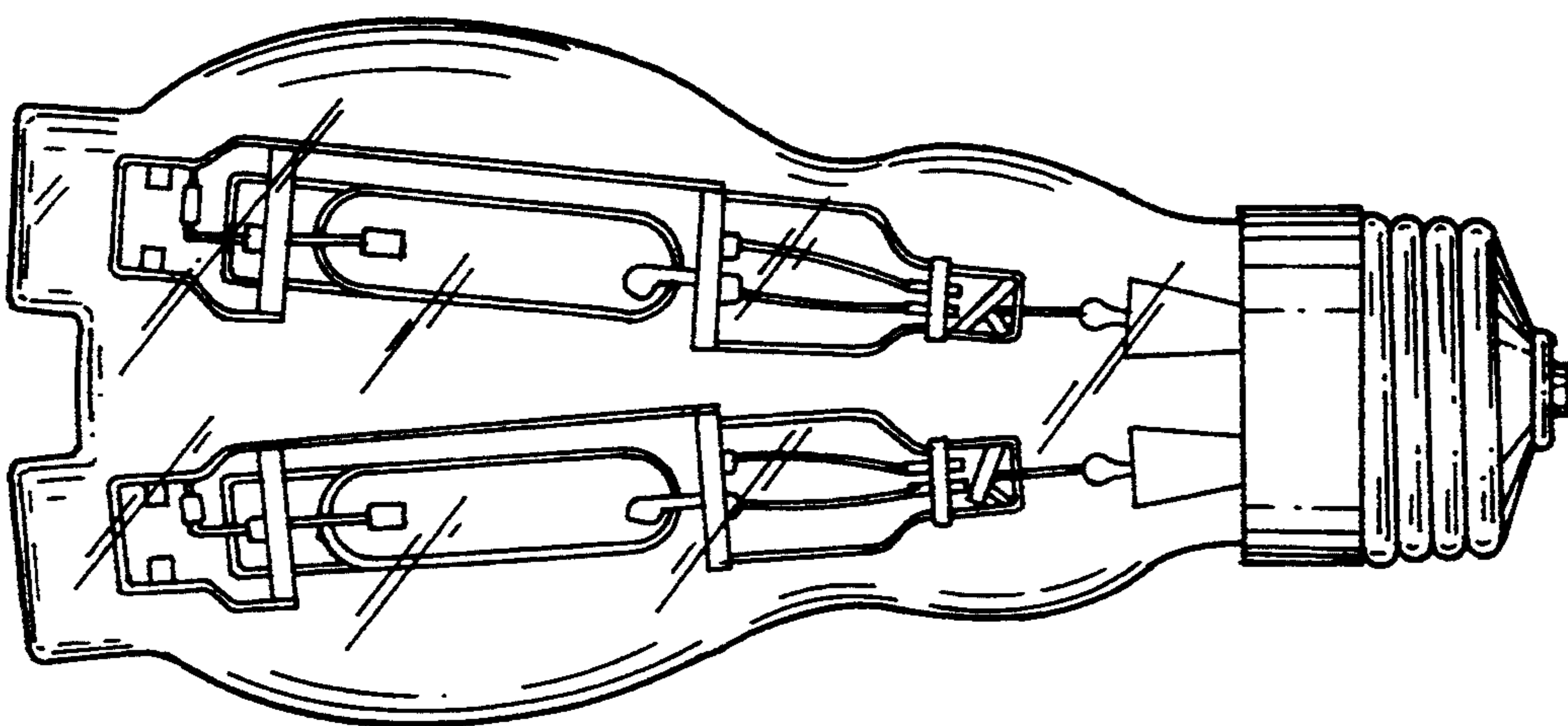


FIG. 2.

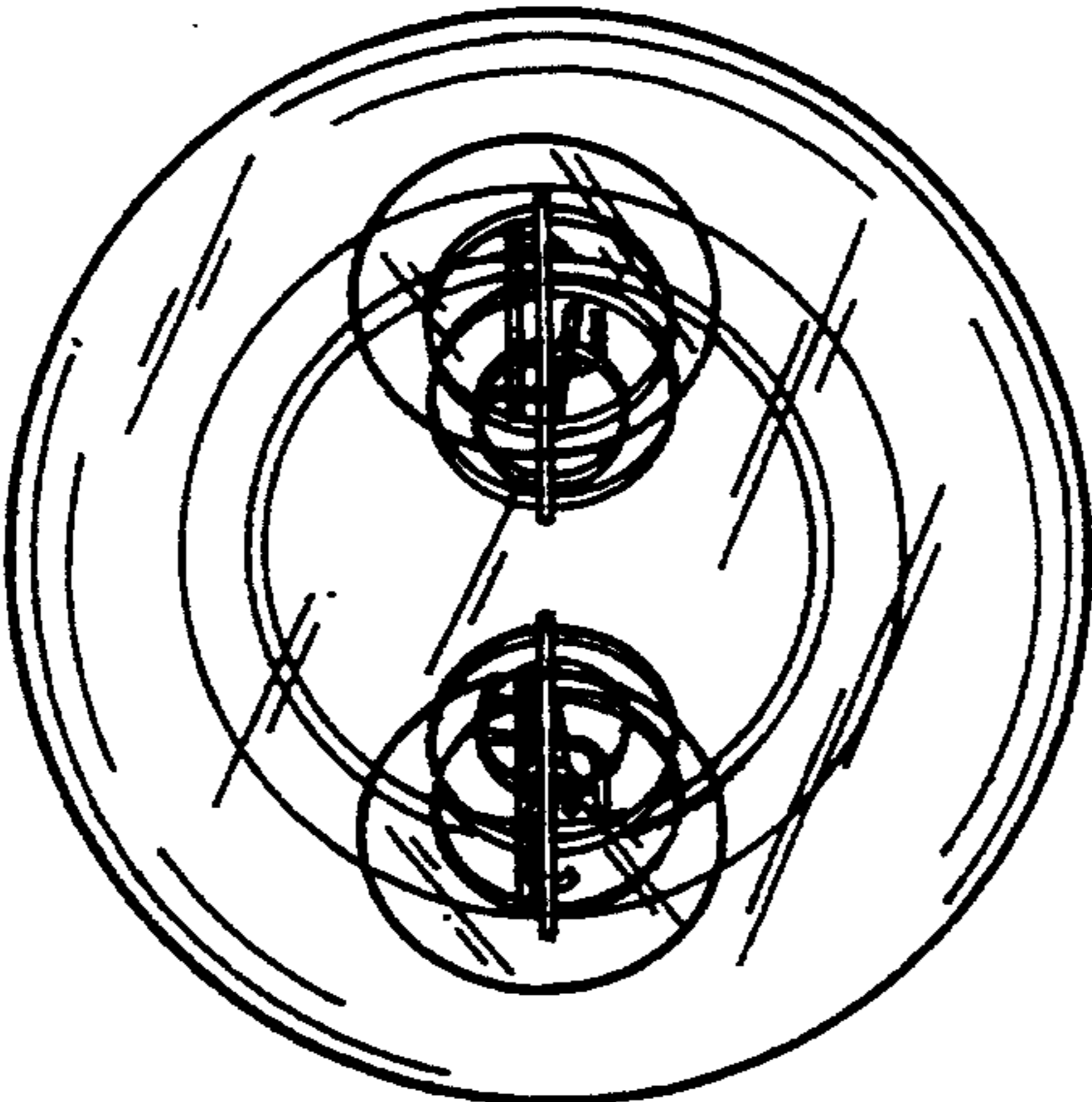


FIG. 4.

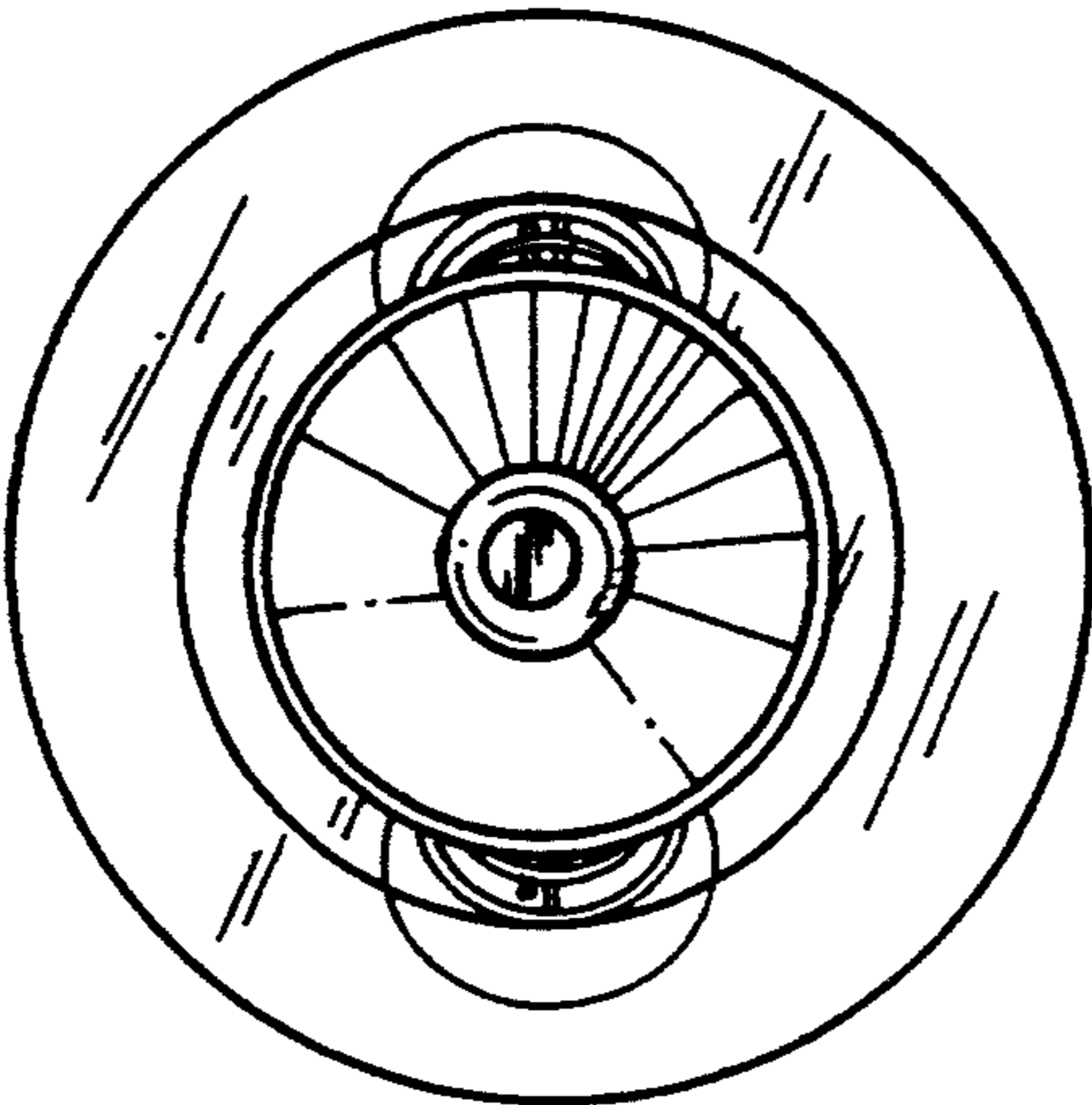


FIG. 5.