



US00D355263S

United States Patent [19]

[11] Patent Number: **Des. 355,263**

Dalegård

[45] Date of Patent: **** Feb. 7, 1995**

[54] **PERFORATED HOSE FOR INJECTION FILLING OF SEALING MATERIAL IN CASTING JOINTS**

[76] Inventor: **Torbjørn Dalegård, Kjellstadvn. 16, N-3400 Lier, Norway**

[**] Term: **14 Years**

[21] Appl. No.: **808,008**

[22] Filed: **Dec. 16, 1991**

[30] **Foreign Application Priority Data**

Jul. 1, 1991 [NO] Norway 910499

[52] U.S. Cl. **D25/122; D23/266; D25/199**

[58] Field of Search **D23/266; D25/119-123, D25/199; D13/153; 52/247, 396.02, 741.4, 743, 744; 403/5; 404/49, 67, 69**

[56] **References Cited**

U.S. PATENT DOCUMENTS

D. 32,542	4/1900	Tyler	D25/120	X
D. 204,889	5/1966	Gingher	D25/121	X
2,269,877	1/1942	Johnson	D23/266	X
3,004,330	10/1961	Wilkins	D23/266	X
3,023,681	3/1962	Worson	D25/122	X
3,205,629	9/1965	Rumley et al.	D25/122	X

OTHER PUBLICATIONS

IBM Technical Disclosure Bulletin, vol. 12, No. 3 Aug. 1969, p. 489, item A.

Primary Examiner—James R. Largen
Attorney, Agent, or Firm—Young & Thompson

[57] **CLAIM**

The ornamental design for perforated hose for injection filling of sealing material in casting joints, as shown and described.

DESCRIPTION

FIG. 1 is a perspective view of a perforated hose for injection filling of sealing material in casting joints showing my new design;

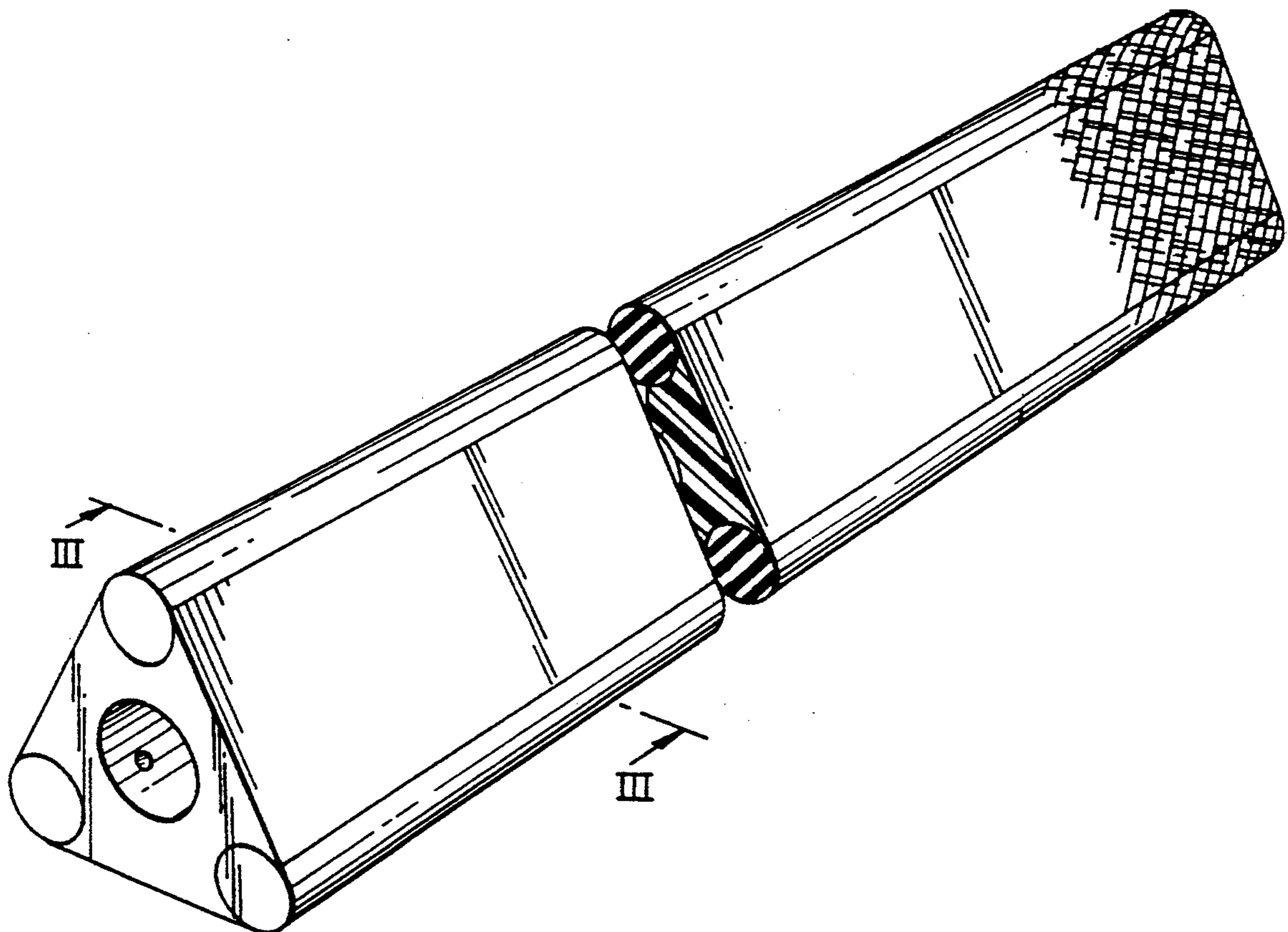
FIG. 2 is an end elevational view thereof, the opposite end being the same as the end shown;

FIG. 3 is a cross-sectional view taken on line III—III of FIG. 1;

FIG. 4 is a fragmentary cross-sectional view taken on line IV—IV of FIG. 2; and,

FIG. 5 is another perspective view thereof showing one end broken away for convenience of illustration.

It is to be understood that the center of the hose is broken away in FIG. 1 to indicate indeterminate length and that the braided net covers the hose from end to end, but is broken away in FIGS. 1 and 5 for purposes of illustration.



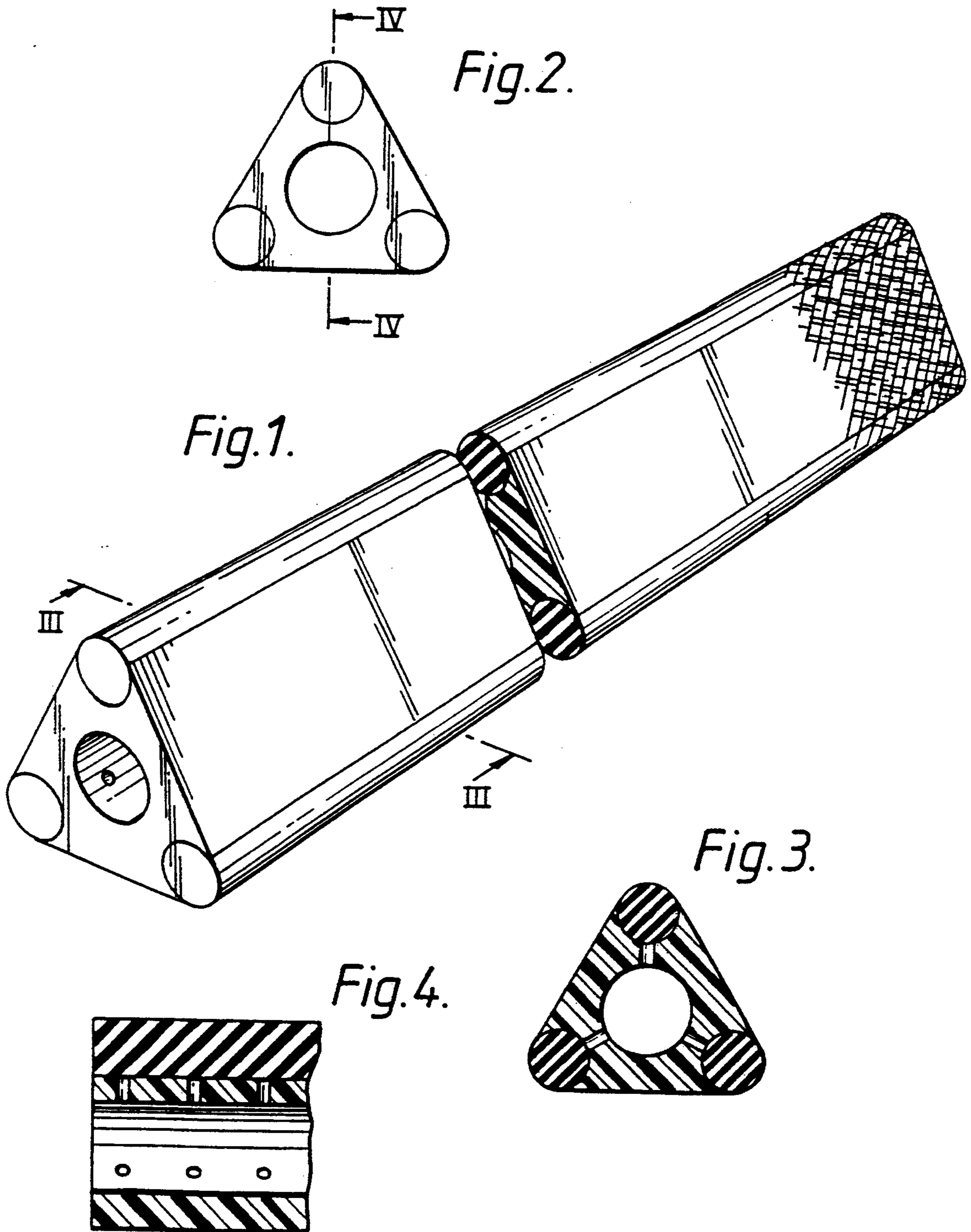


Fig. 5.

