



US00D355260S

# United States Patent [19]

[11] Patent Number: **Des. 355,260**

**Tomasso**

[45] Date of Patent: **\*\* Feb. 7, 1995**

[54] **INTEGRATED HOLDER OF REAGENT BOTTLES**

4,849,177	7/1989	Jordan	.....	422/104 X
5,005,721	4/1991	Jordan	.....	422/102 X
5,152,965	10/1992	Fisk et al.	.....	D24/224 X
5,324,481	6/1994	Dunn et al.	.....	422/104 X

[75] Inventor: **David A. Tomasso**, Rochester, N.Y.

[73] Assignee: **Eastman Kodak Company**, Rochester, N.Y.

*Primary Examiner*—A. Hugo Word  
*Assistant Examiner*—I. Simmons  
*Attorney, Agent, or Firm*—Dana M. Schmidt

[\*\*] Term: **14 Years**

[57] **CLAIM**

[21] Appl. No.: **10,295**

The ornamental design for an integrated holder of reagent bottles, as shown and described.

[22] Filed: **Jul. 1, 1993**

[52] U.S. Cl. .... **D24/224; D9/517**

**DESCRIPTION**

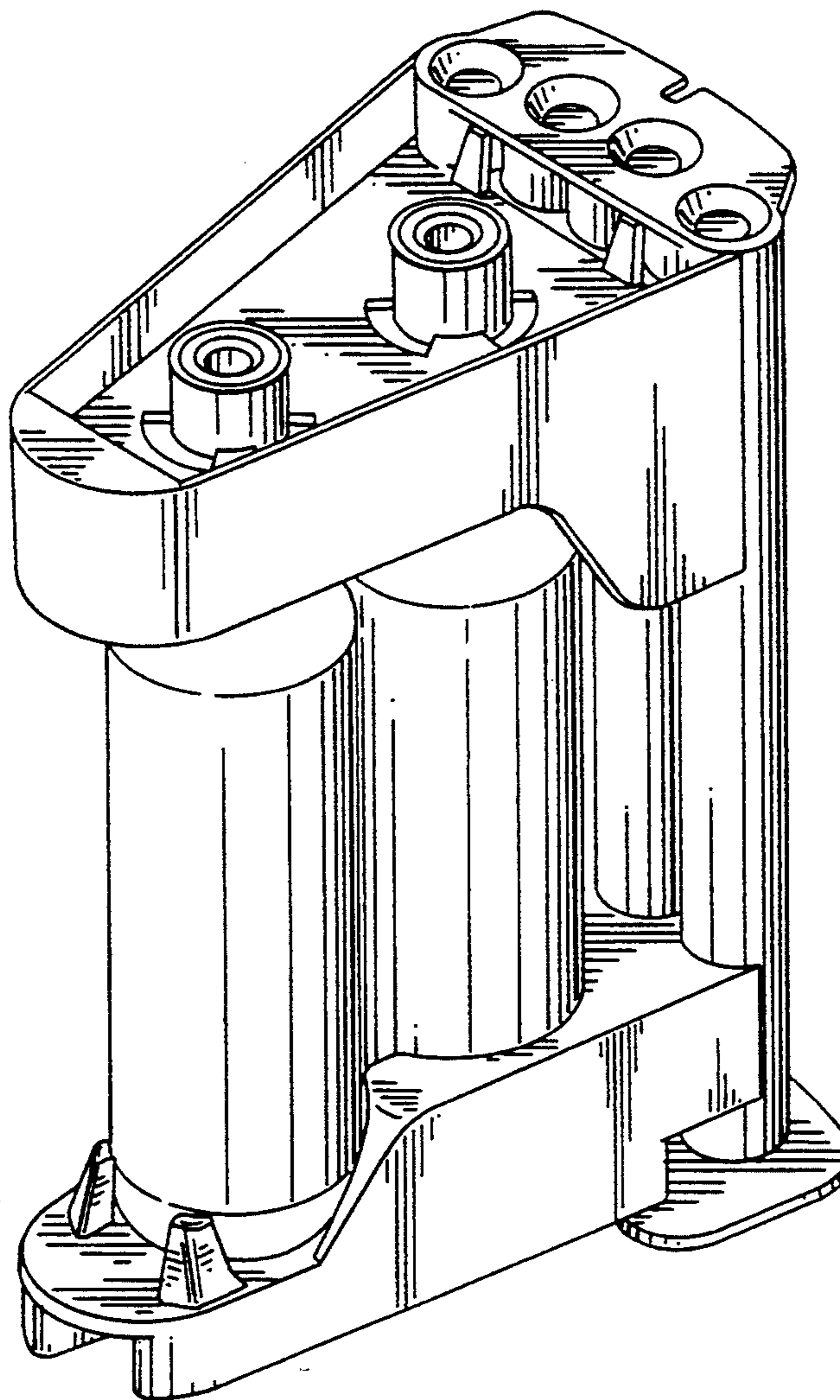
[58] **Field of Search** ..... D24/224, 129, 128; 422/104, 102, 64, 58; D9/524, 341, 347, 561, 517, 3

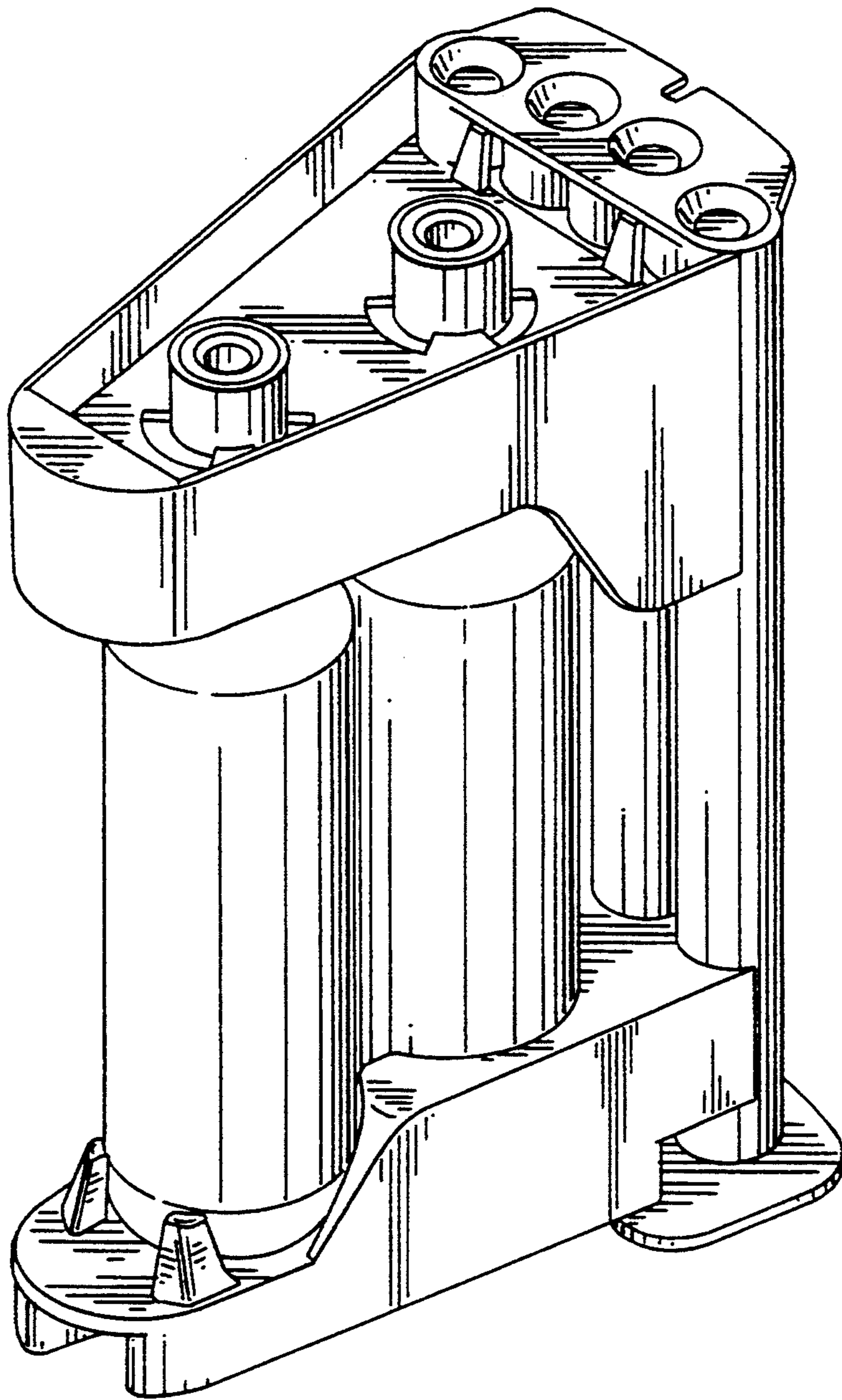
FIG. 1 is a top perspective view of the holder, showing my new design;  
FIG. 2 is a top plan view thereof;  
FIG. 3 is a right-side elevational view thereof, the opposite side elevational view being identical except that is reversed;  
FIG. 4 is a bottom plan view thereof;  
FIG. 5 is a front elevational view thereof; and,  
FIG. 6 is a back elevational view thereof.

[56] **References Cited**

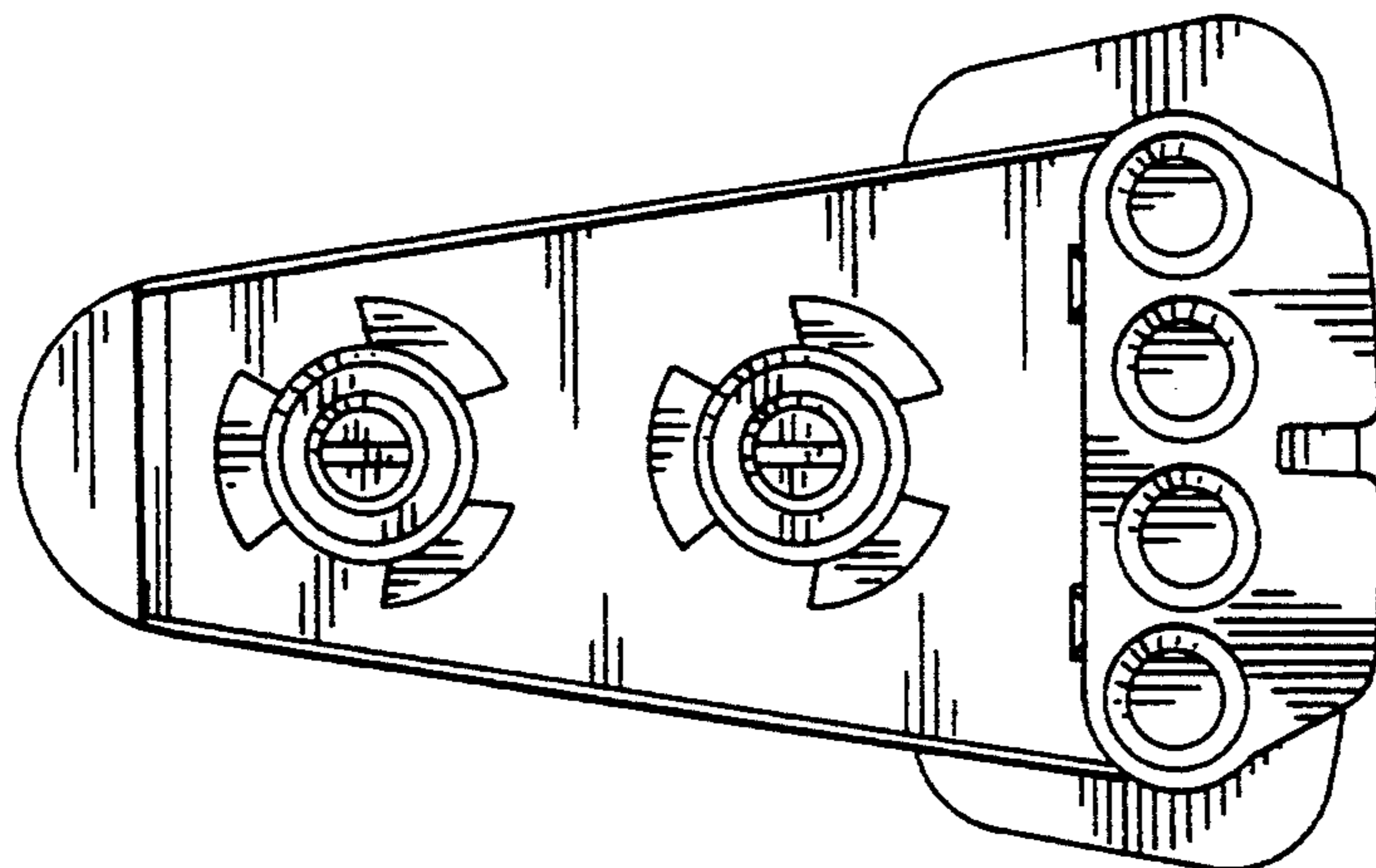
**U.S. PATENT DOCUMENTS**

D. 275,367	9/1984	Holewinski	.....	D9/517 X
D. 297,166	8/1988	Holler et al.	.....	D9/517 X
D. 305,360	1/1990	Fechtner	.....	D24/224

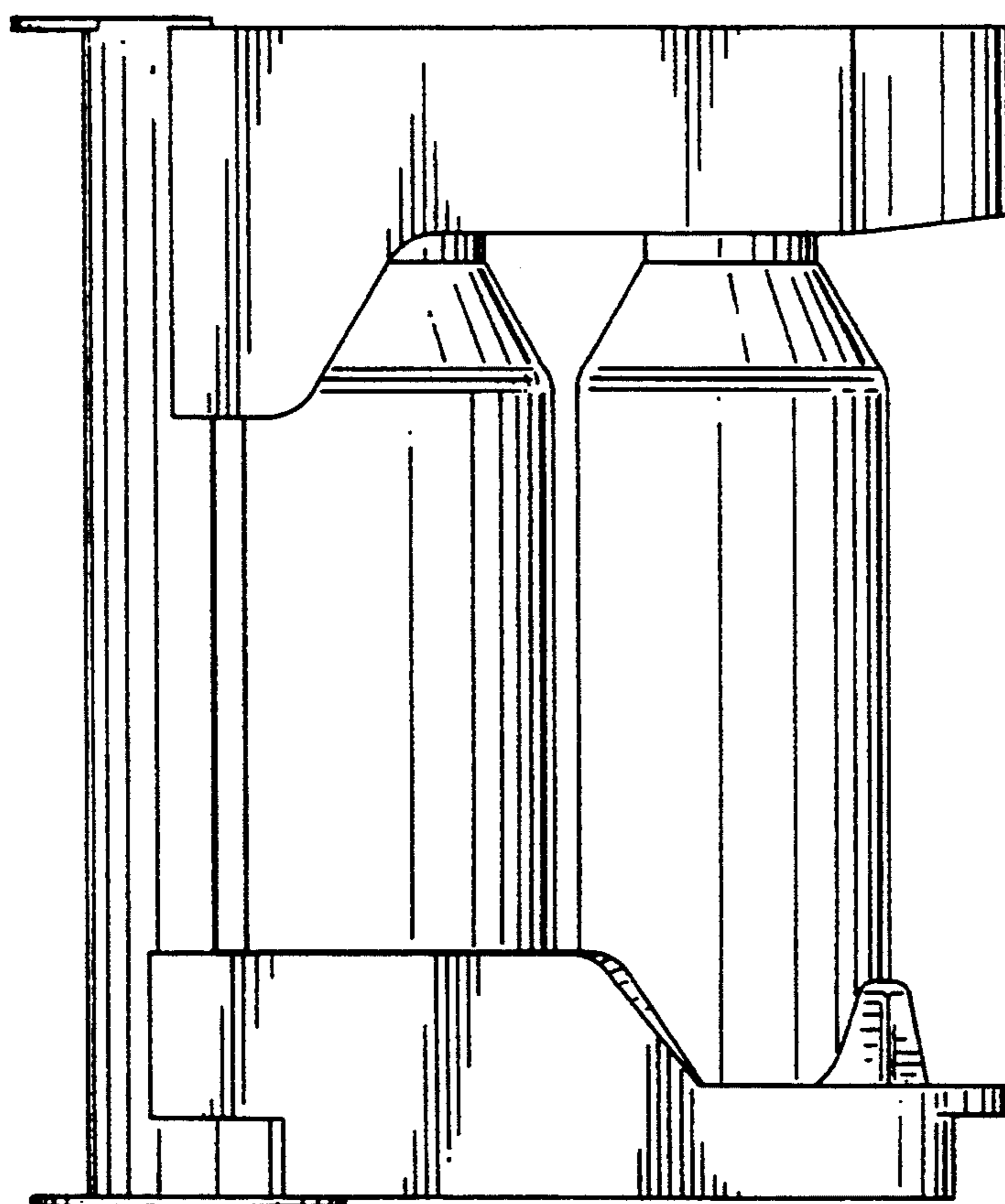




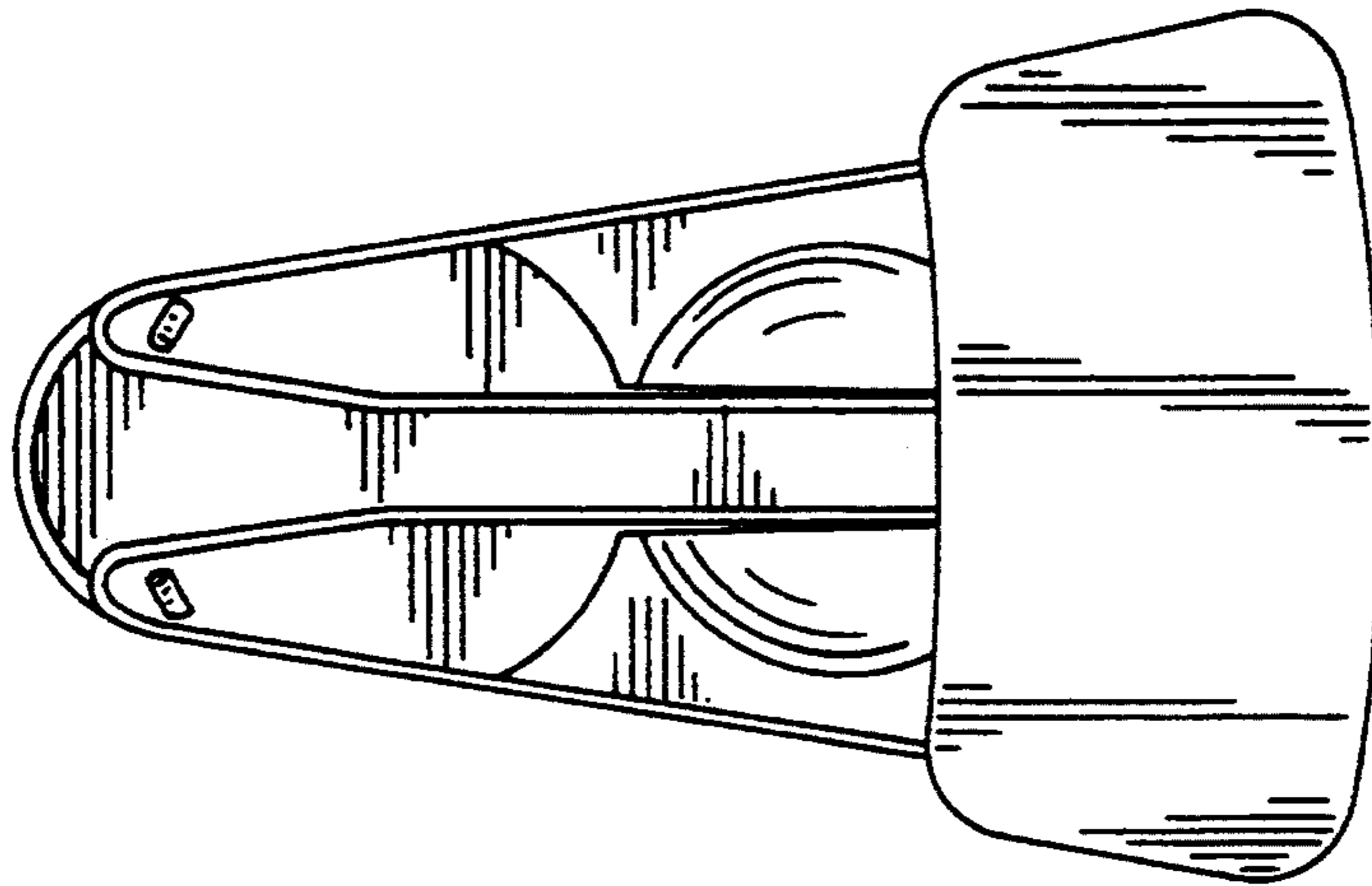
*Fig. 1*



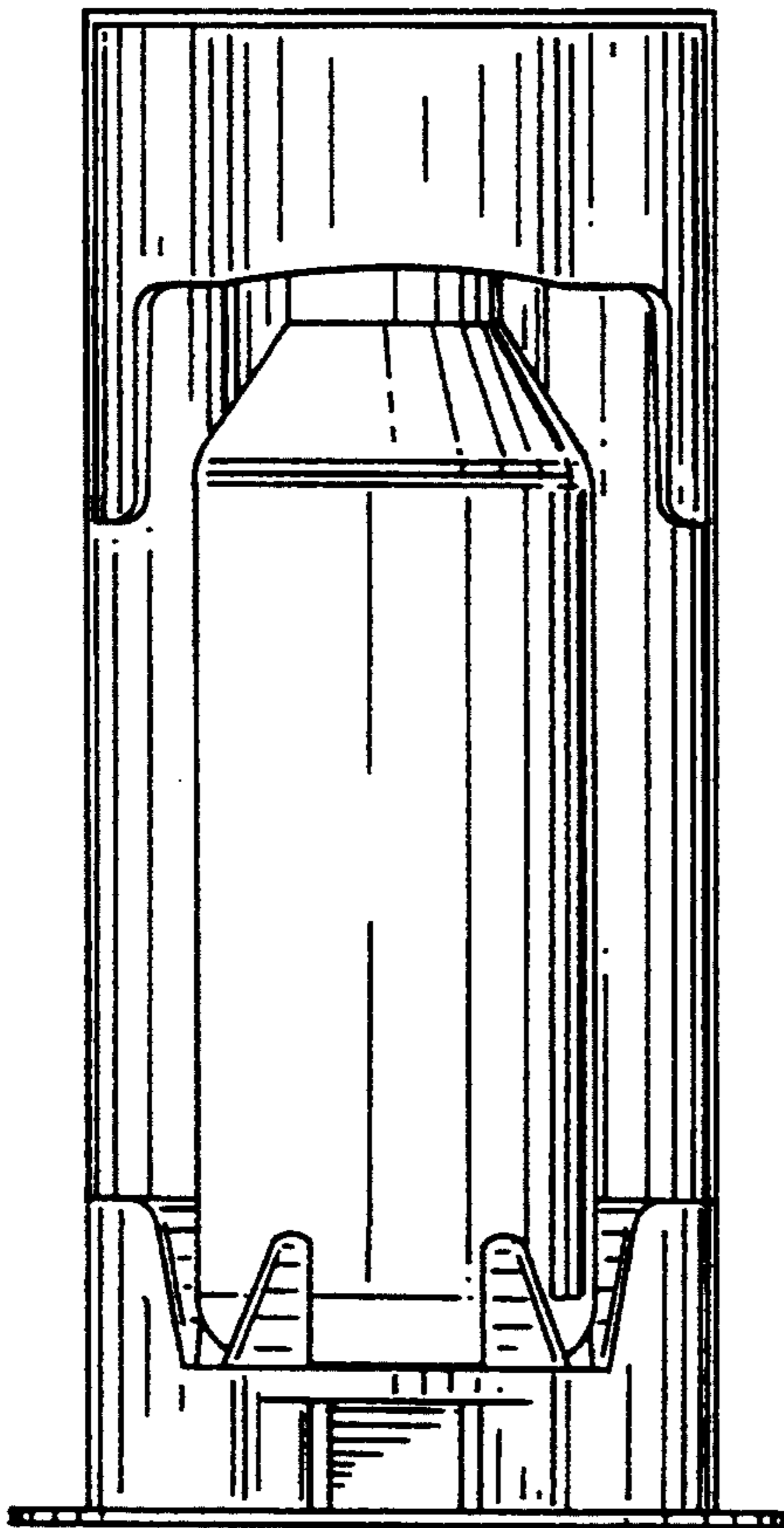
*Fig. 2*



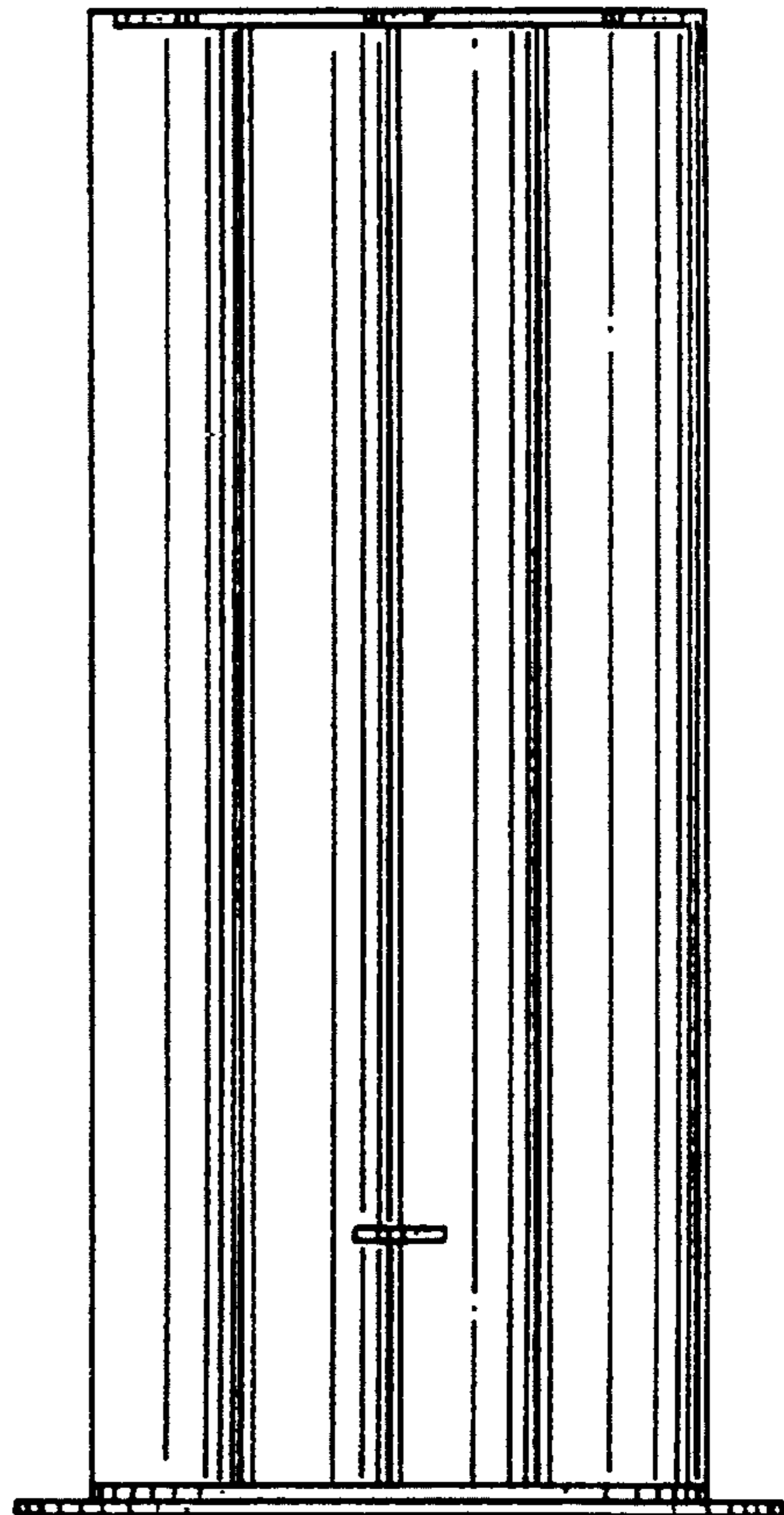
*Fig. 3*



*Fig. 4*



*Fig. 5*



*Fig. 6*