



US00D355259S

United States Patent [19]

[11] Patent Number: **Des. 355,259**

Lie

[45] Date of Patent: **** Feb. 7, 1995**

[54] **INFRARED MASSAGER**

[75] Inventor: **Sen-Nen Lie, Kowloon, Hong Kong**

[73] Assignee: **Kolvin Industries Limited, Kowloon, Hong Kong**

[**] Term: **14 Years**

[21] Appl. No.: **14,925**

[22] Filed: **Nov. 3, 1993**

[30] **Foreign Application Priority Data**

May 5, 1993 [GB] United Kingdom 2030862

[52] U.S. Cl. **D24/215**

[58] Field of Search D24/215, 214, 200;
601/15, 16, 21, 22, 46, 84, 85, 87

[56] **References Cited**

U.S. PATENT DOCUMENTS

D. 331,288 11/1992 Yuen D24/214

D. 333,351 2/1993 Tsou D24/214 X

D. 334,430 3/1993 Tsou D24/215

D. 339,198 9/1993 Mochida D24/215

5,176,130 1/1993 Kim D24/215 X

Primary Examiner—Stella Reid

Attorney, Agent, or Firm—Blakely, Sokoloff, Taylor & Zafman

[57] **CLAIM**

The ornamental design for an infrared massager, as shown and described.

DESCRIPTION

FIG. 1 is a top plan view of my infrared massager design;

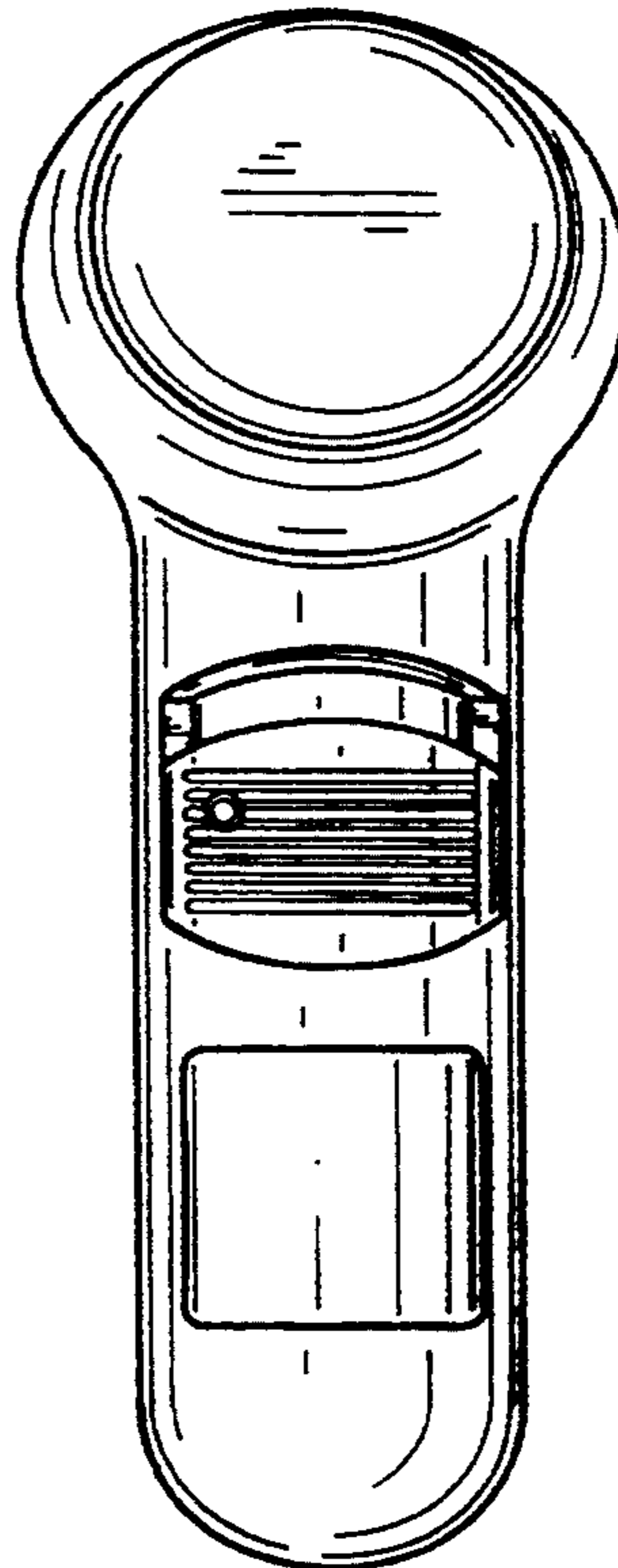
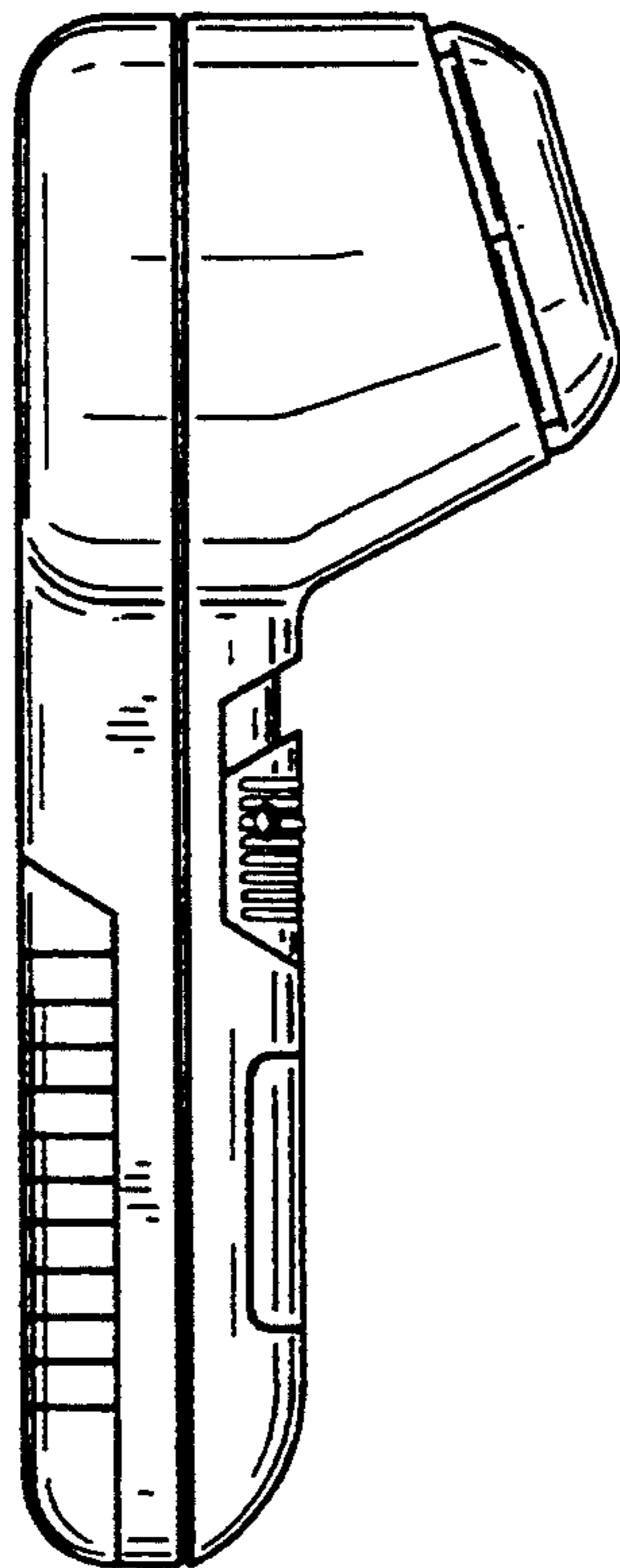
FIG. 2 is a side elevational view showing one side thereof;

FIG. 3 is a front elevational view thereof;

FIG. 4 is a side elevational view showing the side opposite from the side shown in FIG. 2;

FIG. 5 is a rear elevational view thereof; and,

FIG. 6 is a bottom plan view thereof.



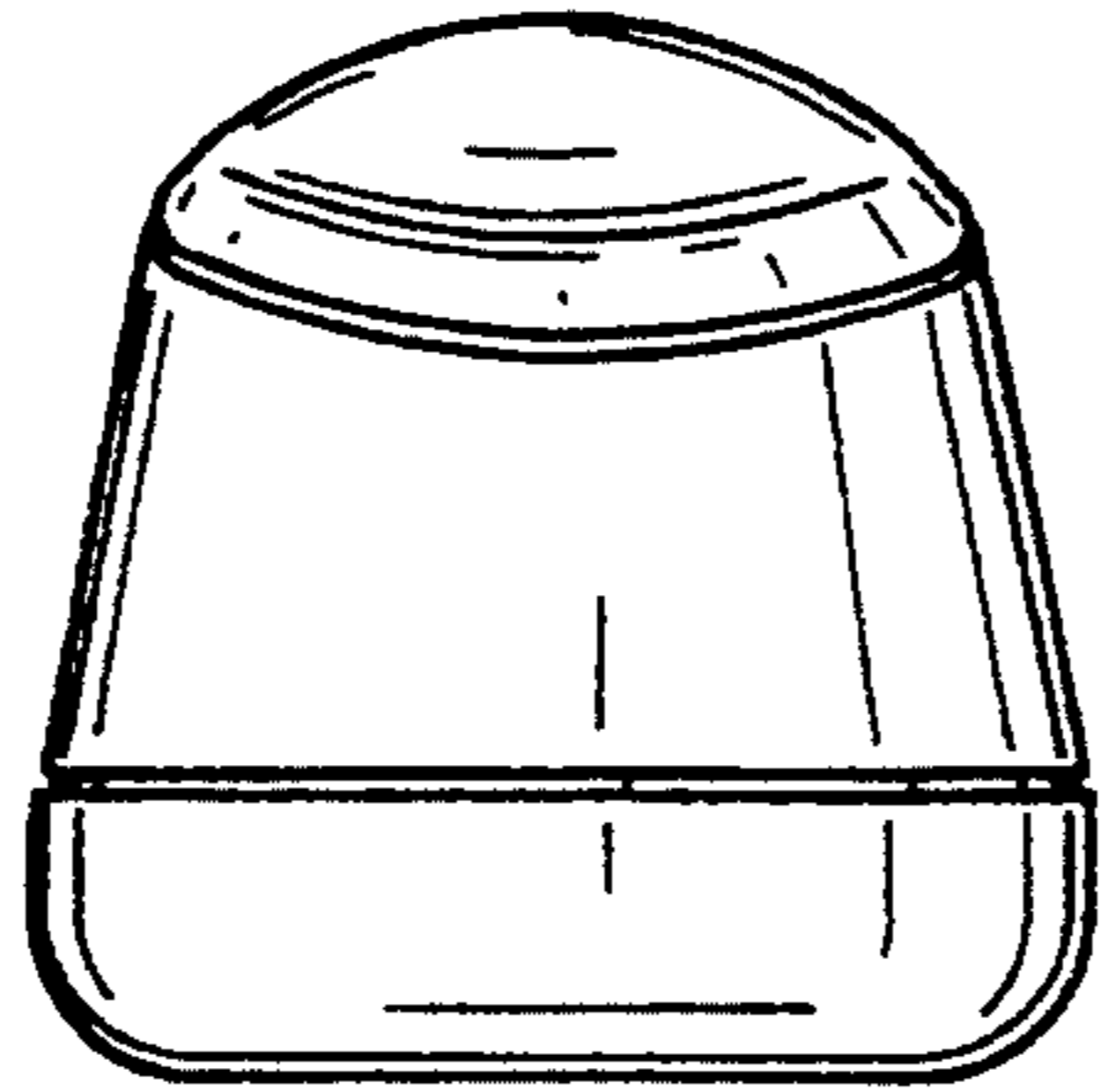


FIG. 1

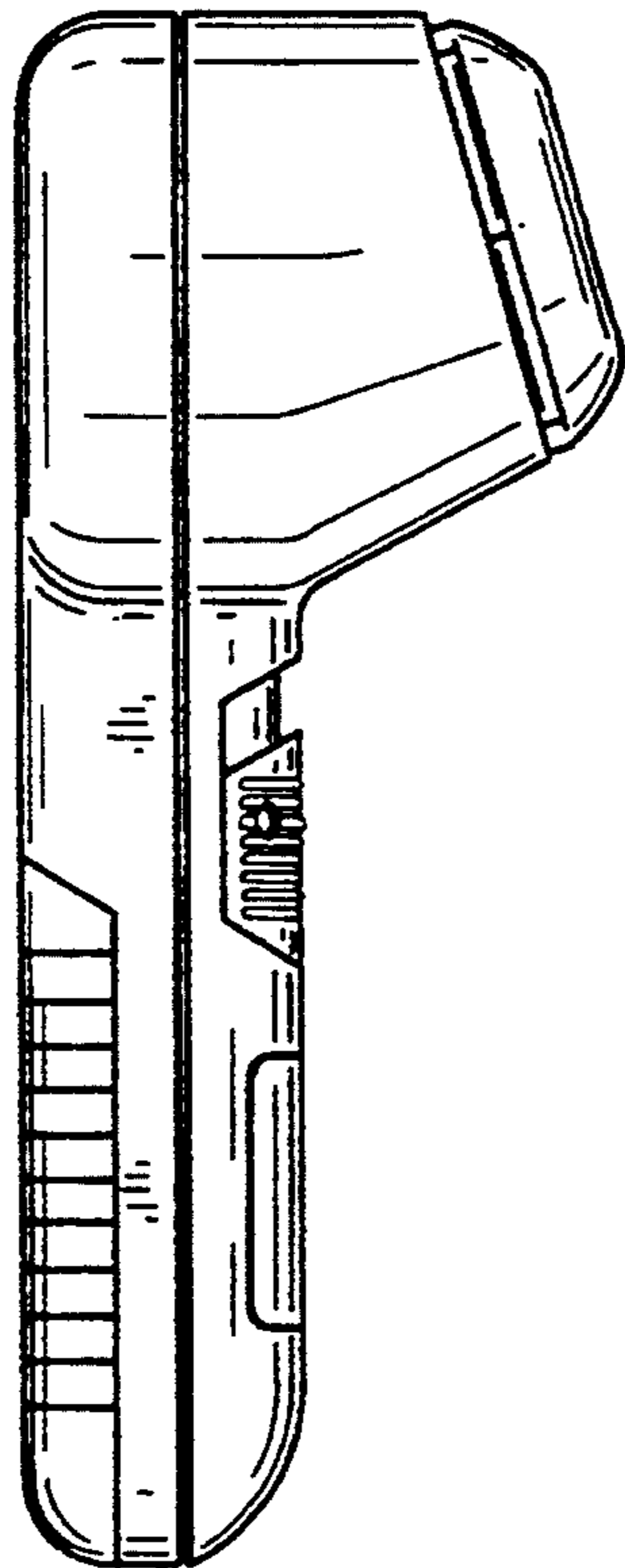


FIG. 2

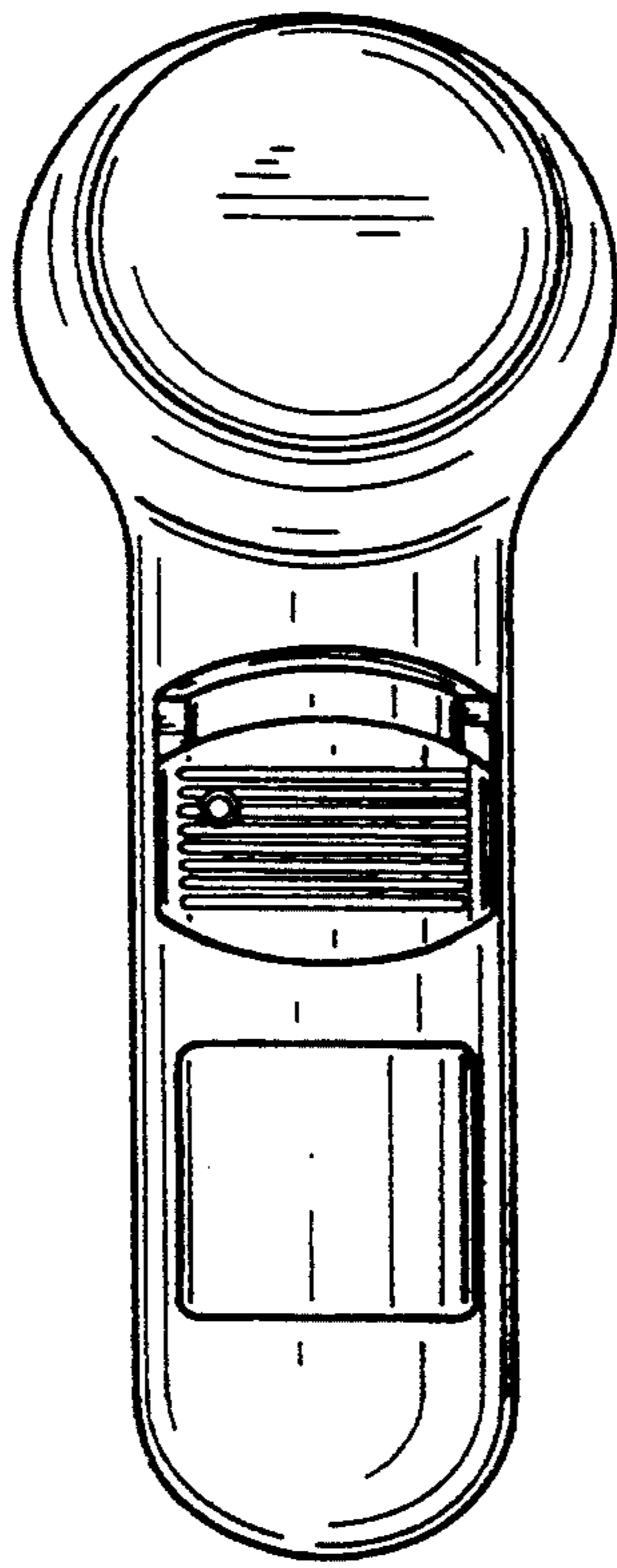


FIG. 3

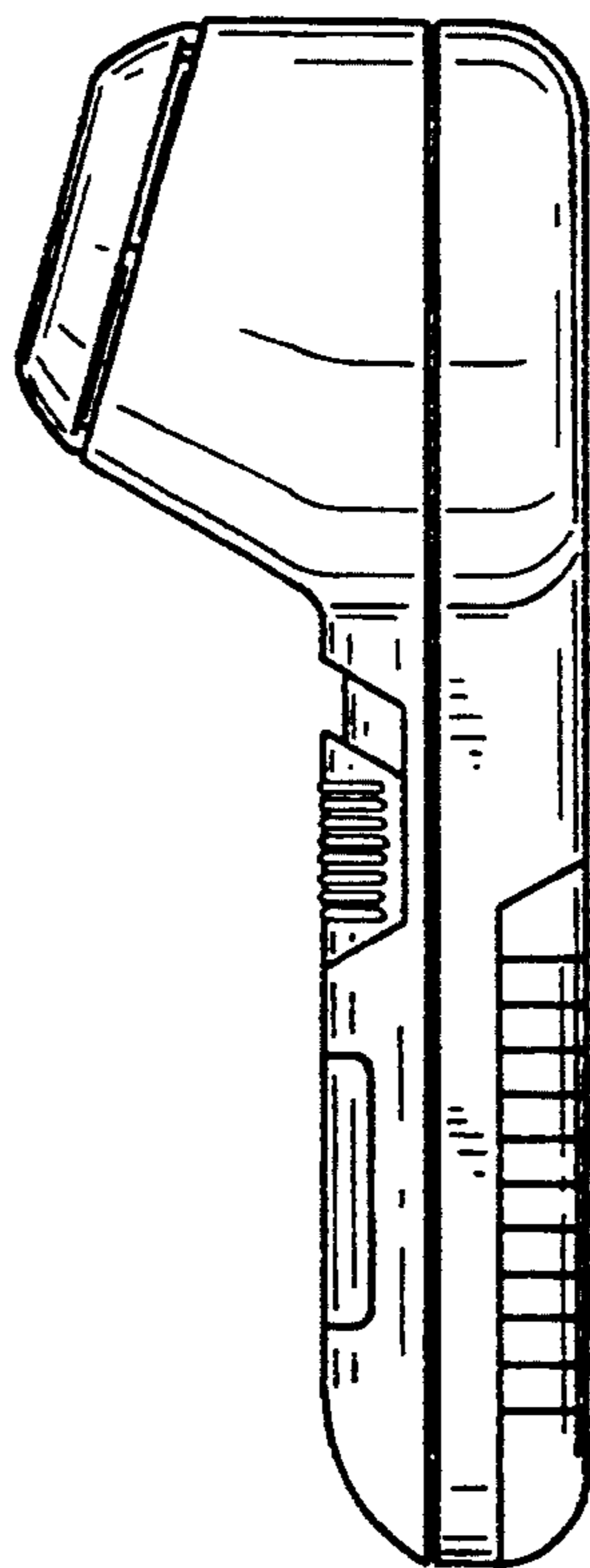


FIG. 4

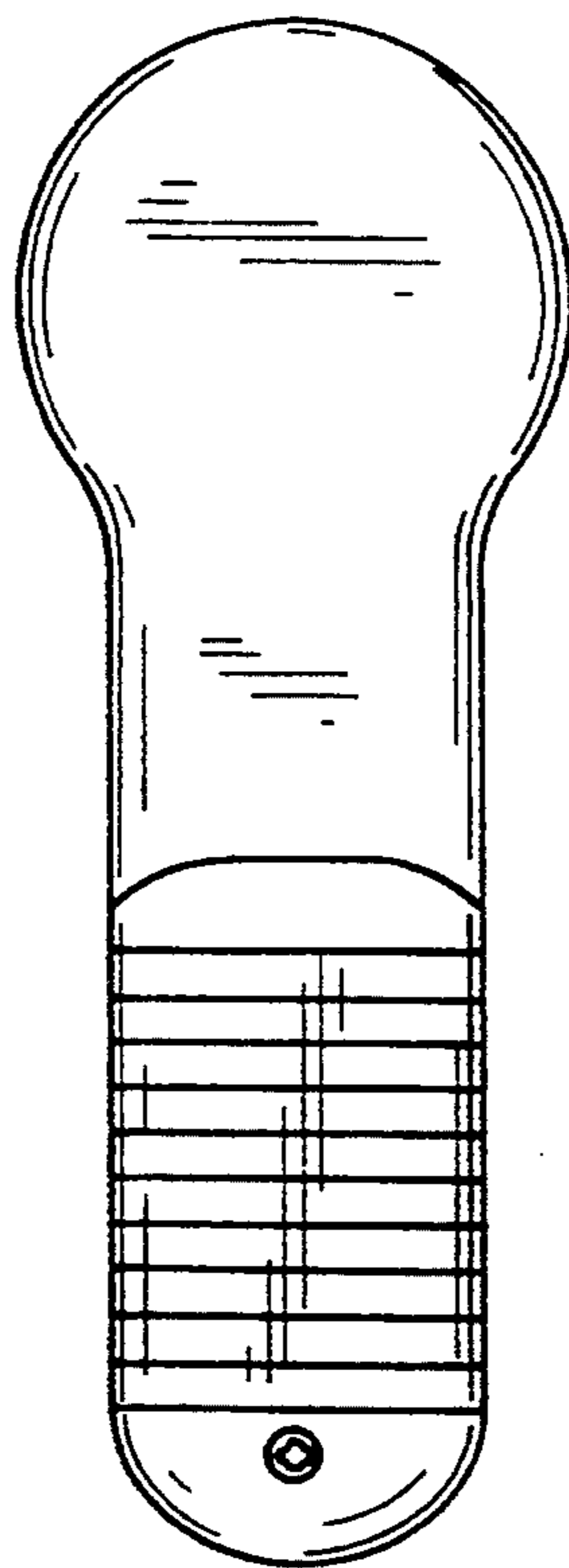


FIG. 5

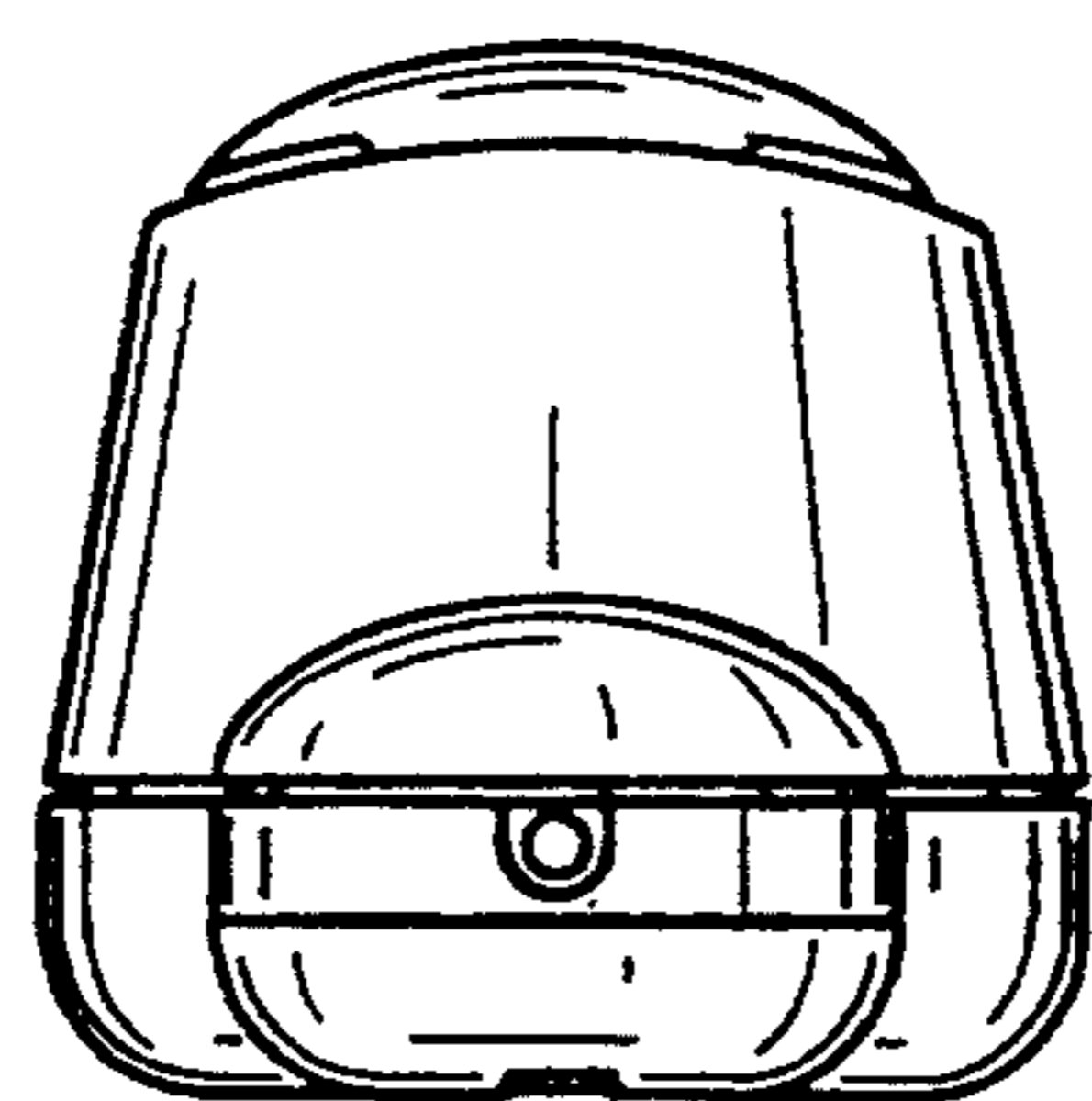


FIG. 6