



US00D355257S

United States Patent [19]

[11] Patent Number: **Des. 355,257**

Nobles

[45] Date of Patent: **** Feb. 7, 1995**

[54] **VISUALIZATION SURGICAL CART**

5,259,365 11/1993 Nishikori et al. 128/4

[75] Inventor: **Anthony A. Nobles**, Fountain Valley, Calif.

Primary Examiner—Stella Reid
Attorney, Agent, or Firm—Nydegger & Associates

[73] Assignee: **Visioneering, Inc.**, Fountain Valley, Calif.

[57] **CLAIM**

[**] Term: **14 Years**

The ornamental design for a visualization surgical cart, as shown.

[21] Appl. No.: **8,852**

DESCRIPTION

[22] Filed: **May 26, 1993**

FIG. 1 is a perspective view of my novel visualization surgical cart showing the front and left side of the cart as seen from above;

[52] U.S. Cl. **D24/185**

FIG. 2 is a perspective view thereof showing the rear and right side of the cart as seen from above;

[58] Field of Search D24/185, 186, 107, 138, D24/108, 111, 112; 128/6, 4

FIG. 3 is a front elevational view thereof;

[56] **References Cited**

U.S. PATENT DOCUMENTS

- 4,890,159 12/1989 Ogiu 128/6
- 5,101,807 4/1992 Kanashima 128/6
- 5,222,477 6/1993 Lia 128/6

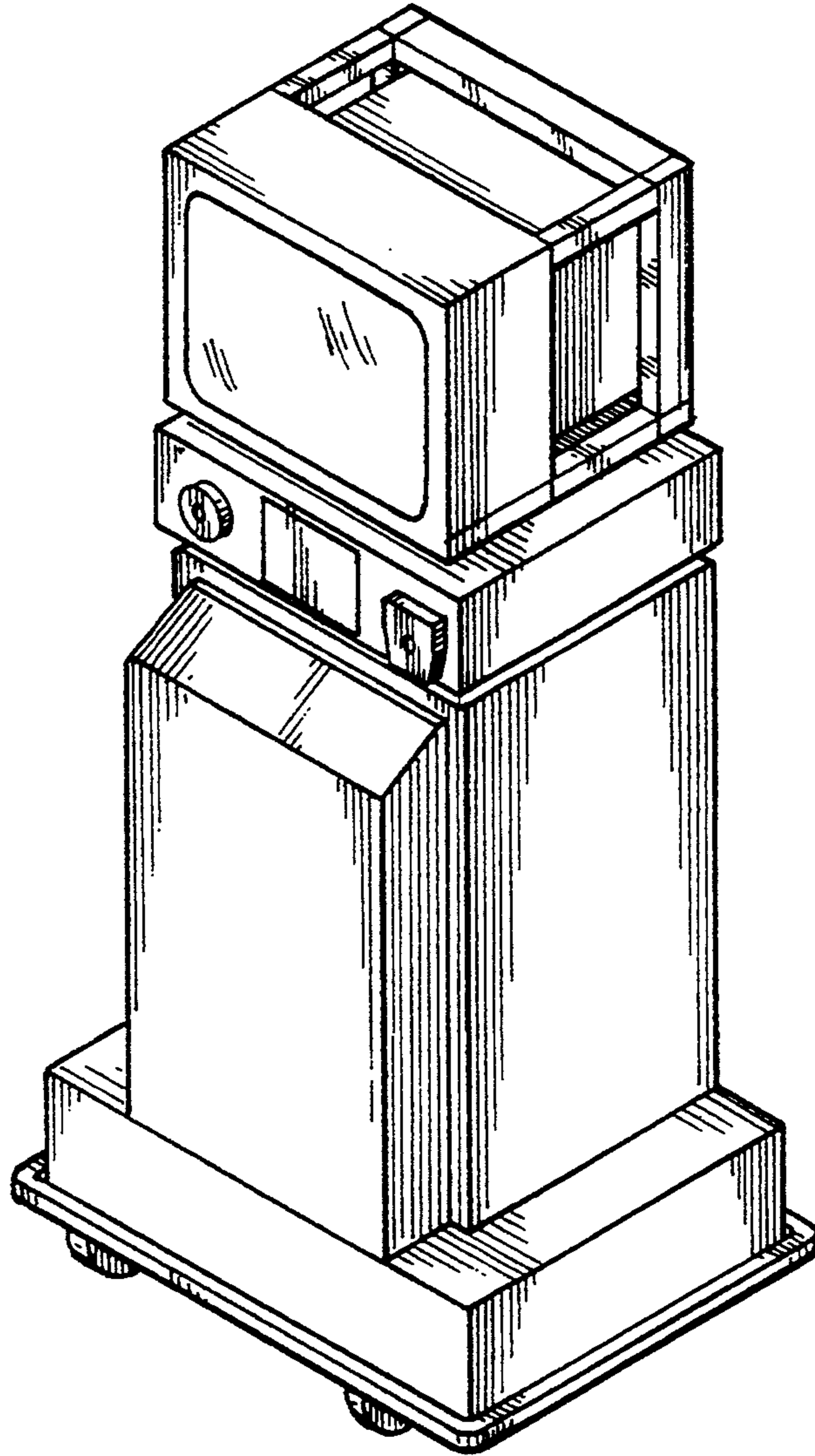
FIG. 4 is a rear elevational view thereof;

FIG. 5 is a top plan view thereof;

FIG. 6 is a right side elevational view thereof;

FIG. 7 is a left side elevational view thereof; and,

FIG. 8 is a bottom view thereof.



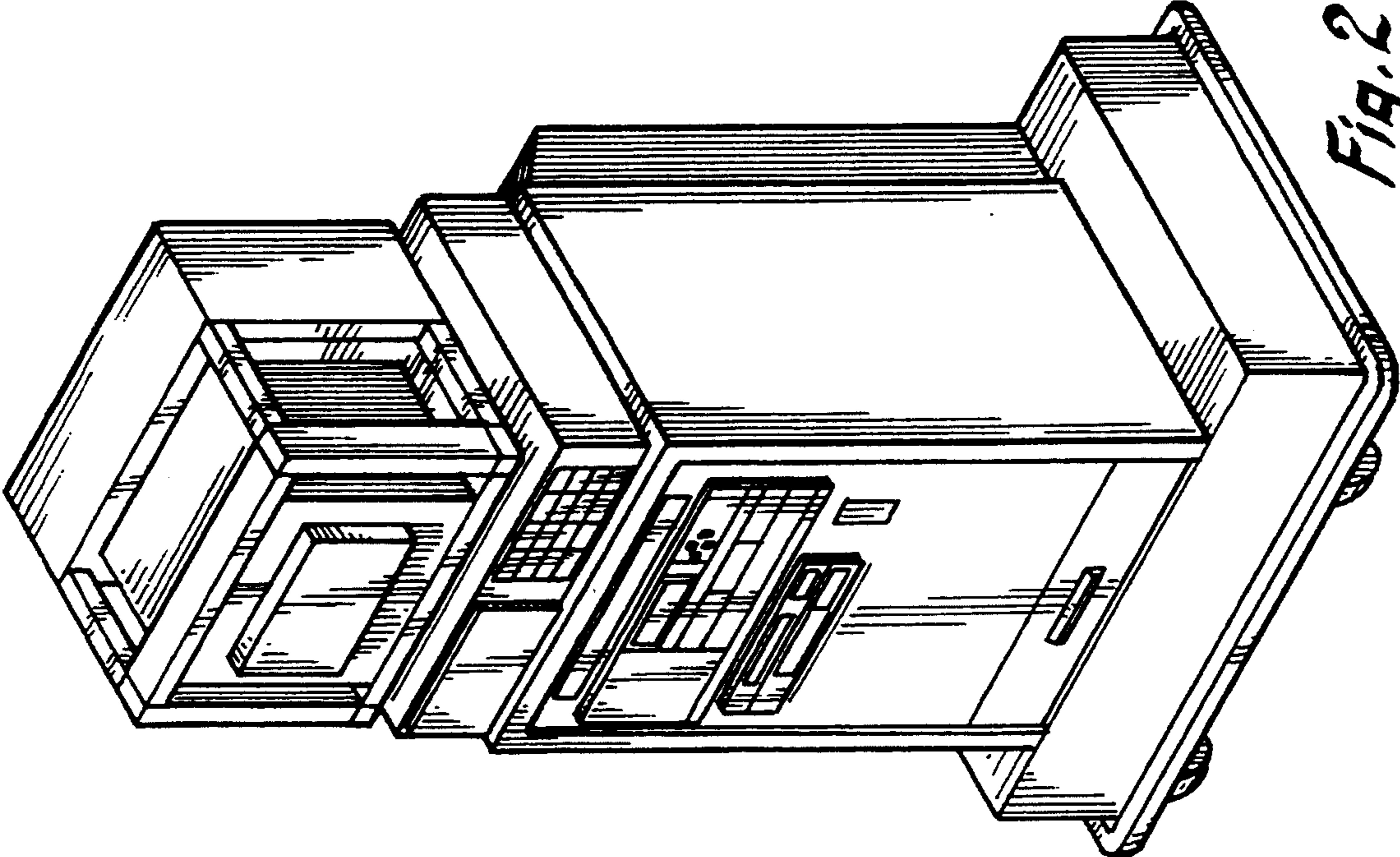


FIG. 2

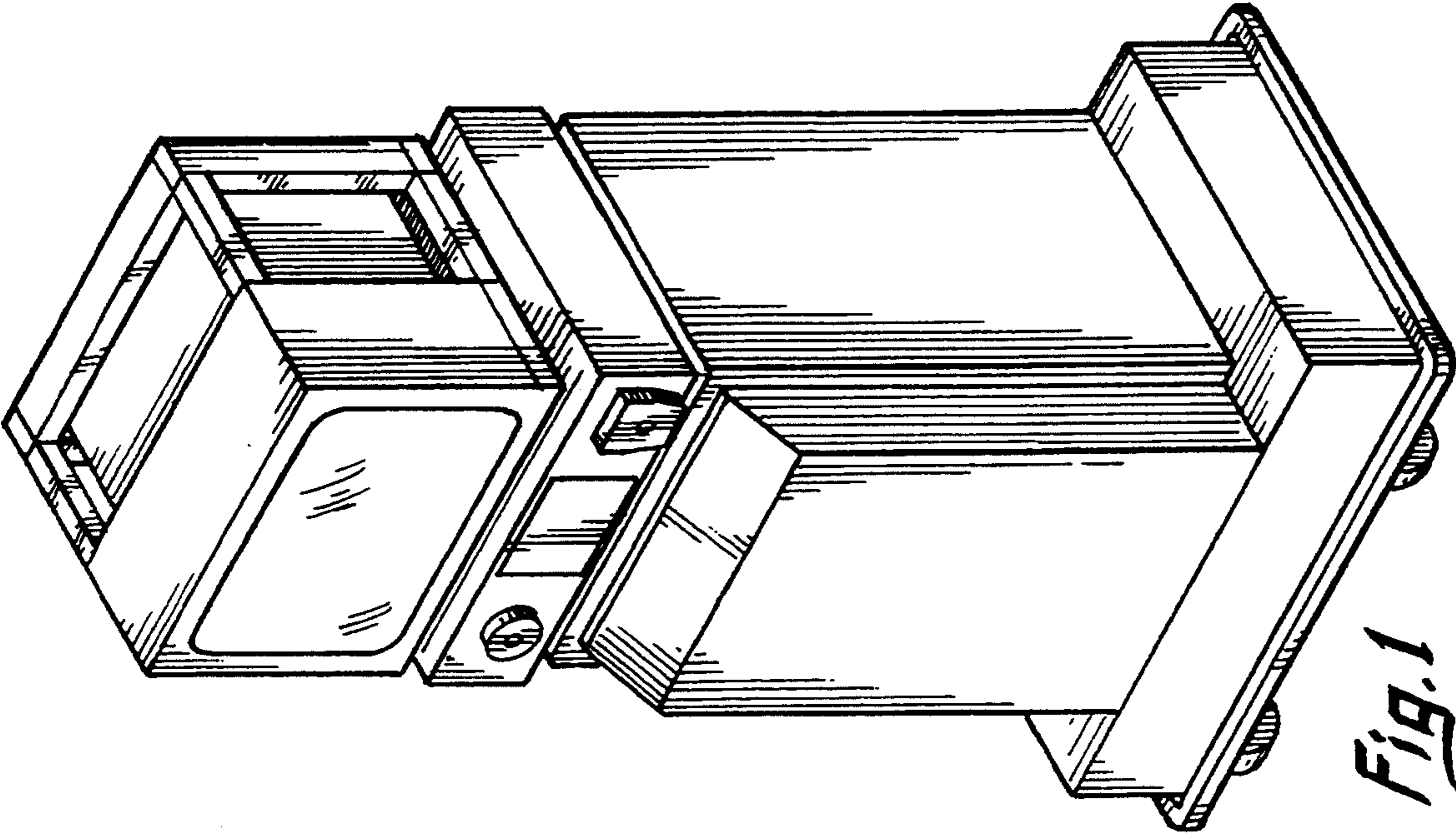


FIG. 1

FIG. 3

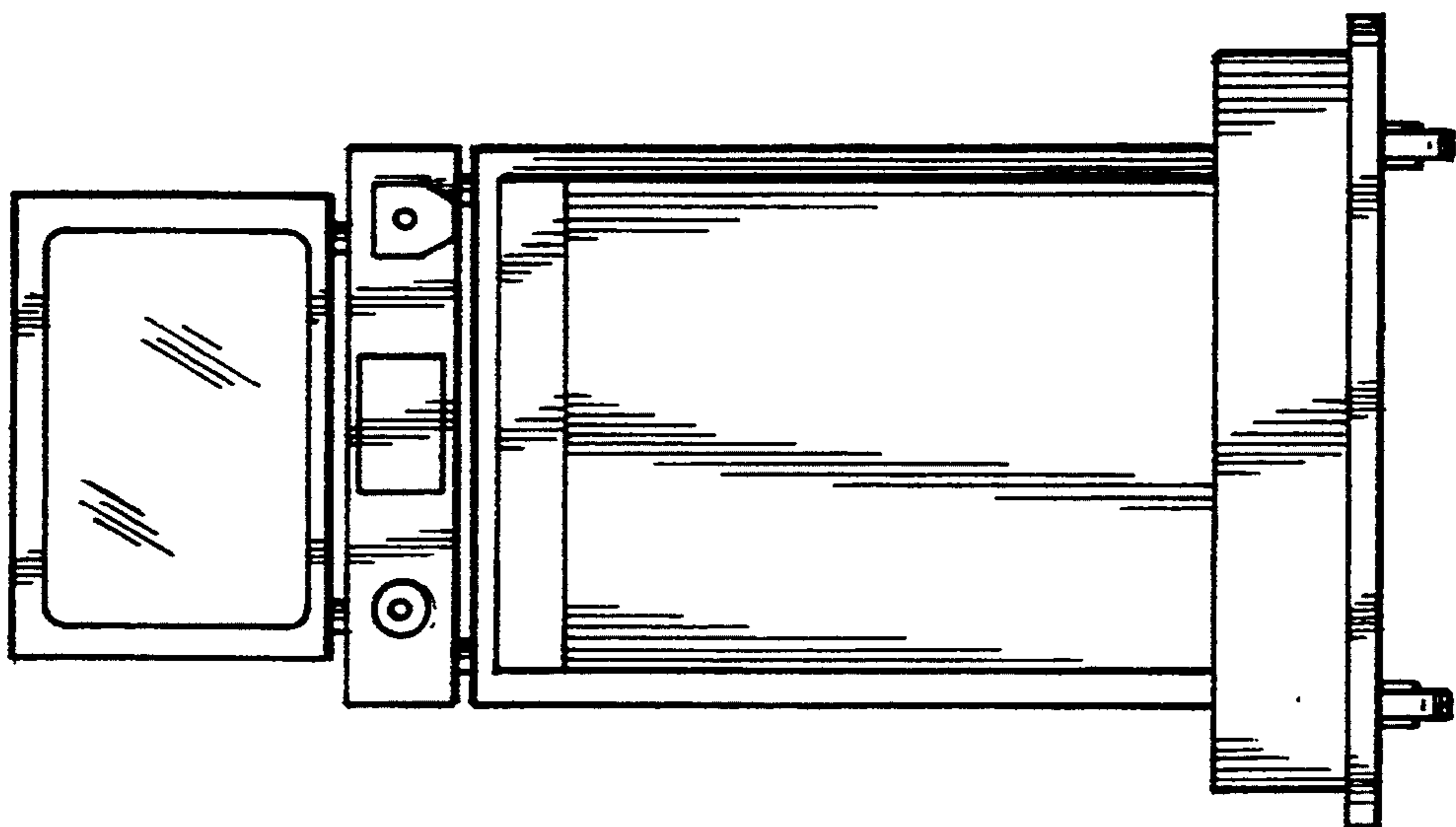


FIG. 4

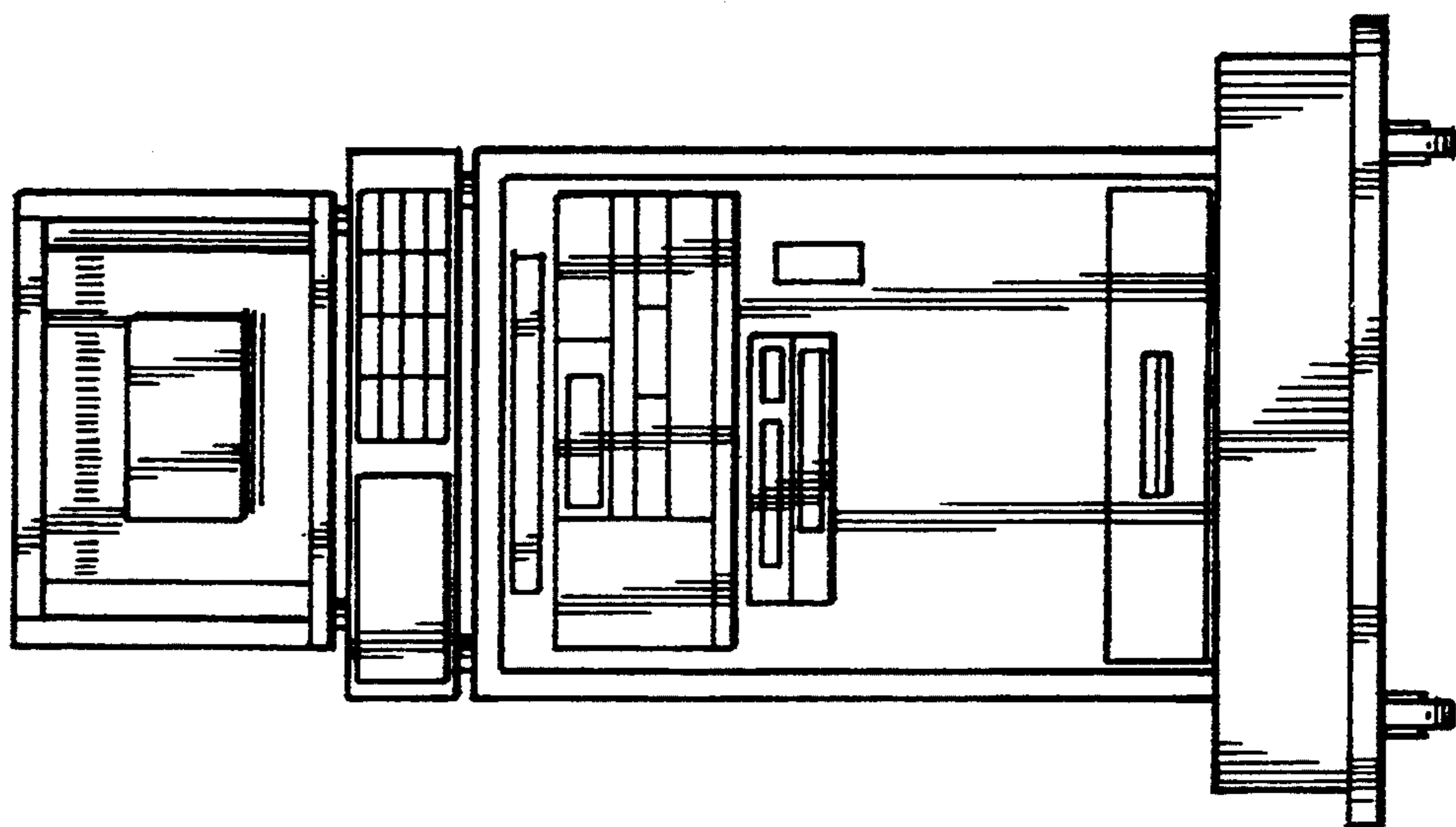


FIG. 5

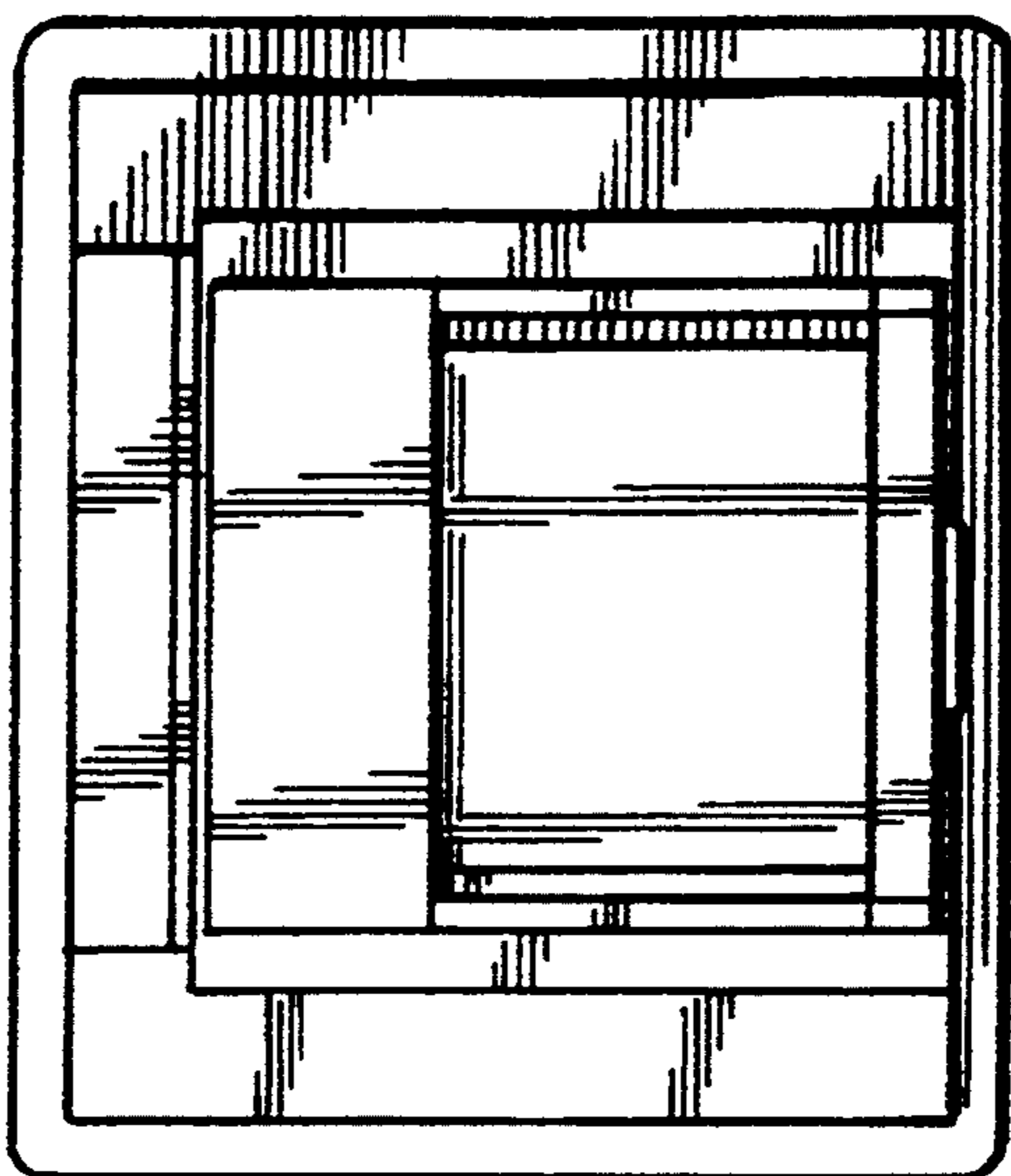


FIG. 7

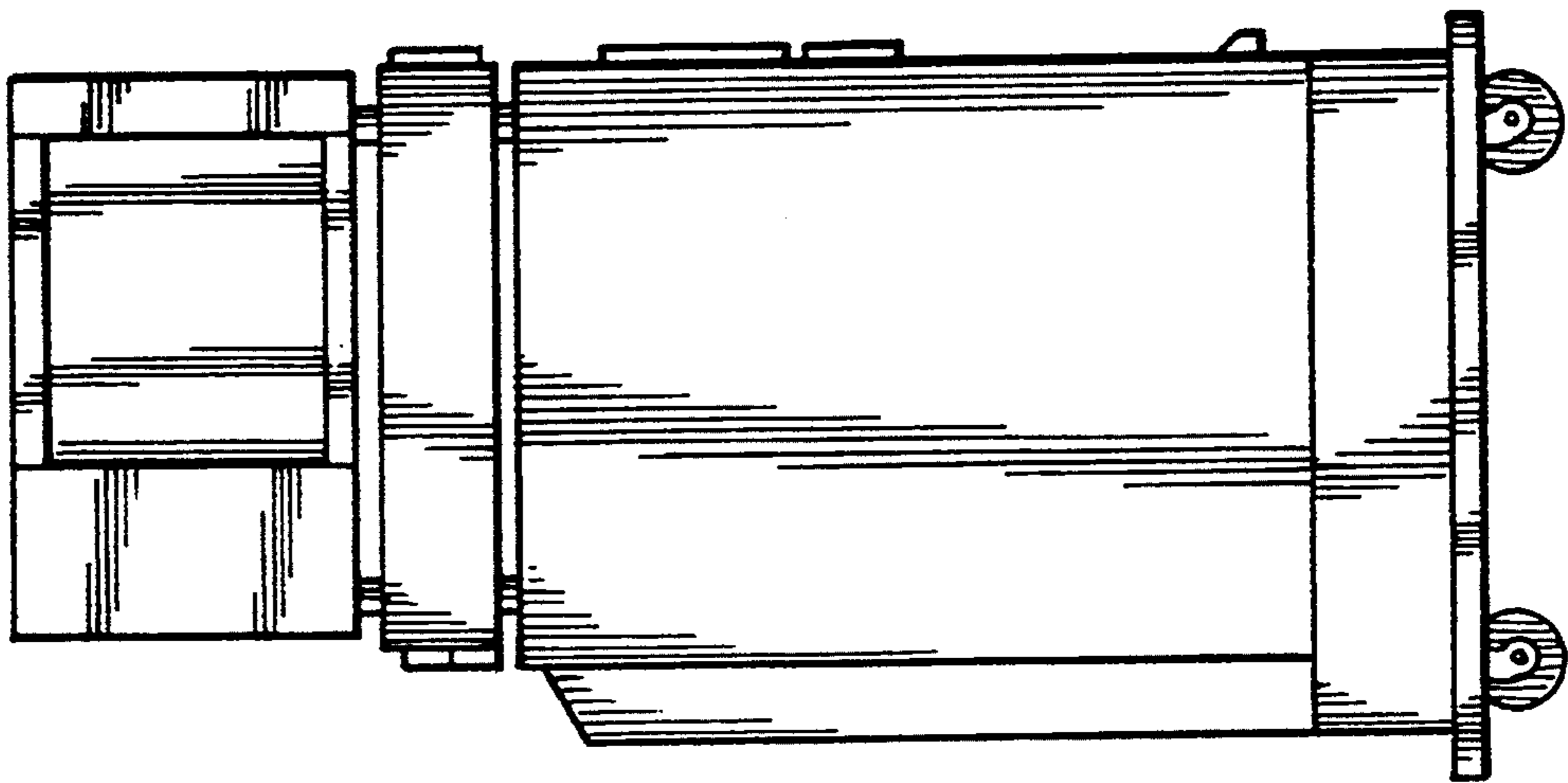


FIG. 6

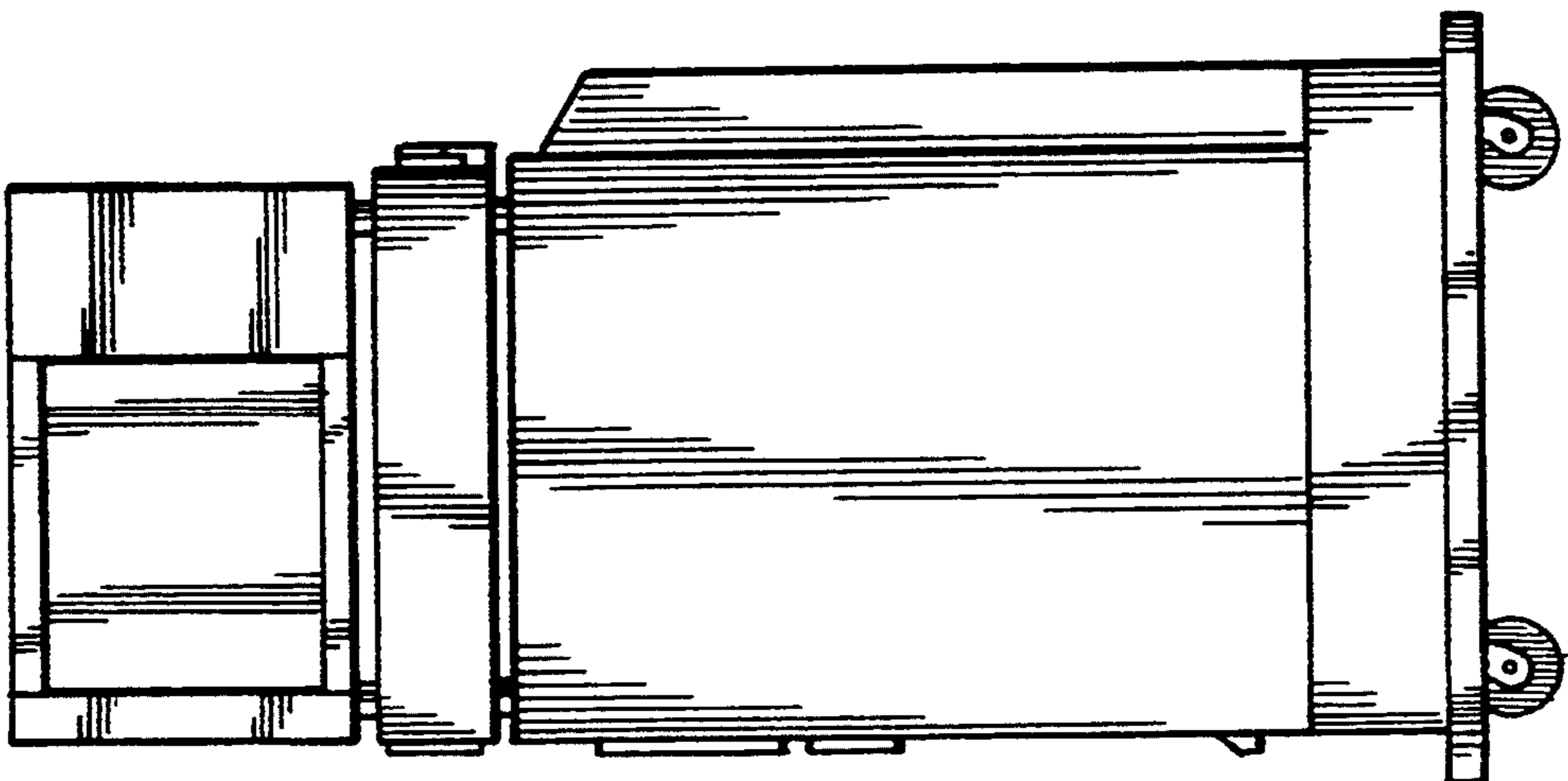


FIG. 8

