



US00D355251S

United States Patent [19]

[11] Patent Number: **Des. 355,251**

Paulovich et al.

[45] Date of Patent: **** Feb. 7, 1995**

[54] **FRAGRANCE DIFFUSER CARTRIDGE FOR AN ELECTRIC AIR FRESHENER**

tridge for an electric air freshener, as shown and described.

[75] Inventors: **John M. Paulovich, Hewitt; Manhar K. Patel**, Saddle Brook, both of N.J.

[73] Assignee: **Reckitt & Colman Inc.**, Wayne, N.J.

[**] Term: **14 Years**

[21] Appl. No.: **18,133**

[22] Filed: **Jan. 31, 1994**

[52] U.S. Cl. **D23/366**

[58] Field of Search **D23/366-369; 261/DIG. 65; 392/390; D9/418, 341**

[56] **References Cited**

U.S. PATENT DOCUMENTS

D. 328,784 8/1992 Ragonesi D23/366

D. 330,758 11/1992 Muderlak D23/366

Primary Examiner—Lisa P. Lichtenstein

Attorney, Agent, or Firm—Frederick H. Rabin

[57] **CLAIM**

The ornamental design for a fragrance diffuser car-

DESCRIPTION

FIG. 1 is a top, side and front perspective view of a fragrance diffuser cartridge for an electric air freshener, showing our new design;

FIG. 2 is a top plan view thereof;

FIG. 3 is a side elevational view thereof, the opposite side being identical thereto;

FIG. 4 is a front elevational view thereof, the back being identical thereto;

FIG. 5 is a bottom plan view thereof;

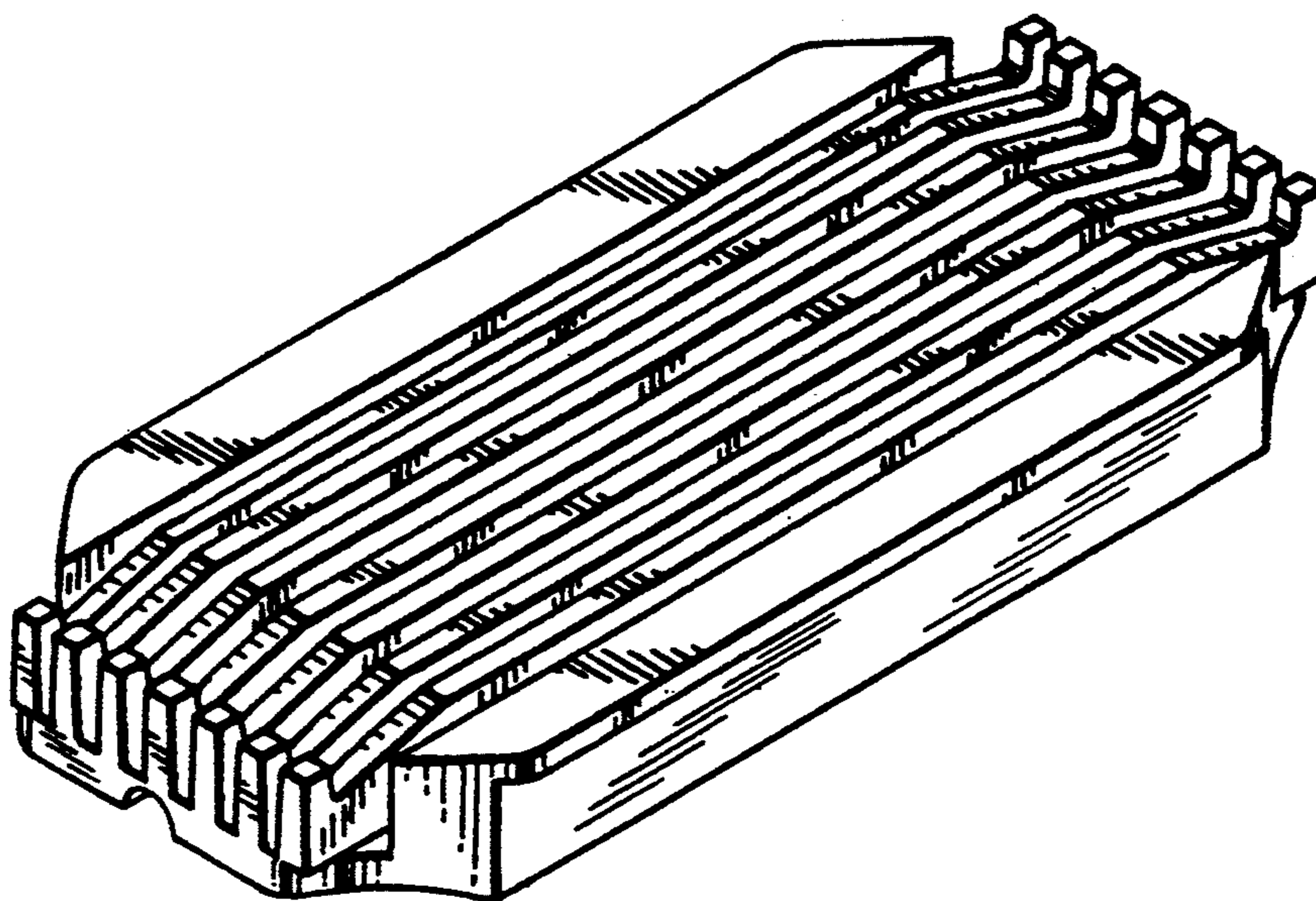
FIG. 6 is a top, side and front perspective view of a fragrance diffuser cartridge for an electric air freshener showing a second embodiment of our new design;

FIG. 7 is a top plan view of FIG. 6;

FIG. 8 is a side elevational view of FIG. 6, the opposite side being identical thereto;

FIG. 9 is a front elevational view of FIG. 6, the back being identical thereto; and,

FIG. 10 is a bottom plan view of FIG. 6.



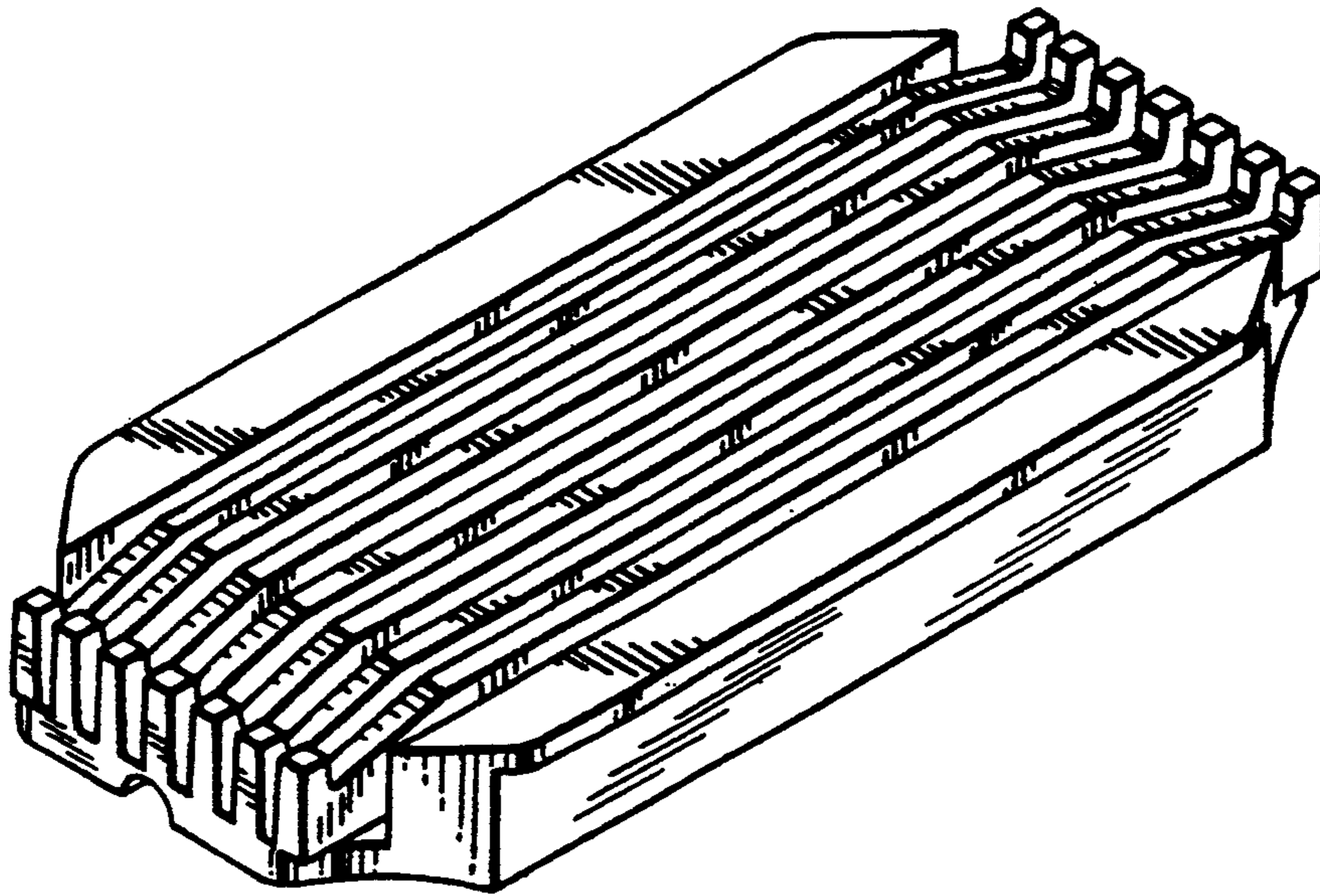


FIG. 1

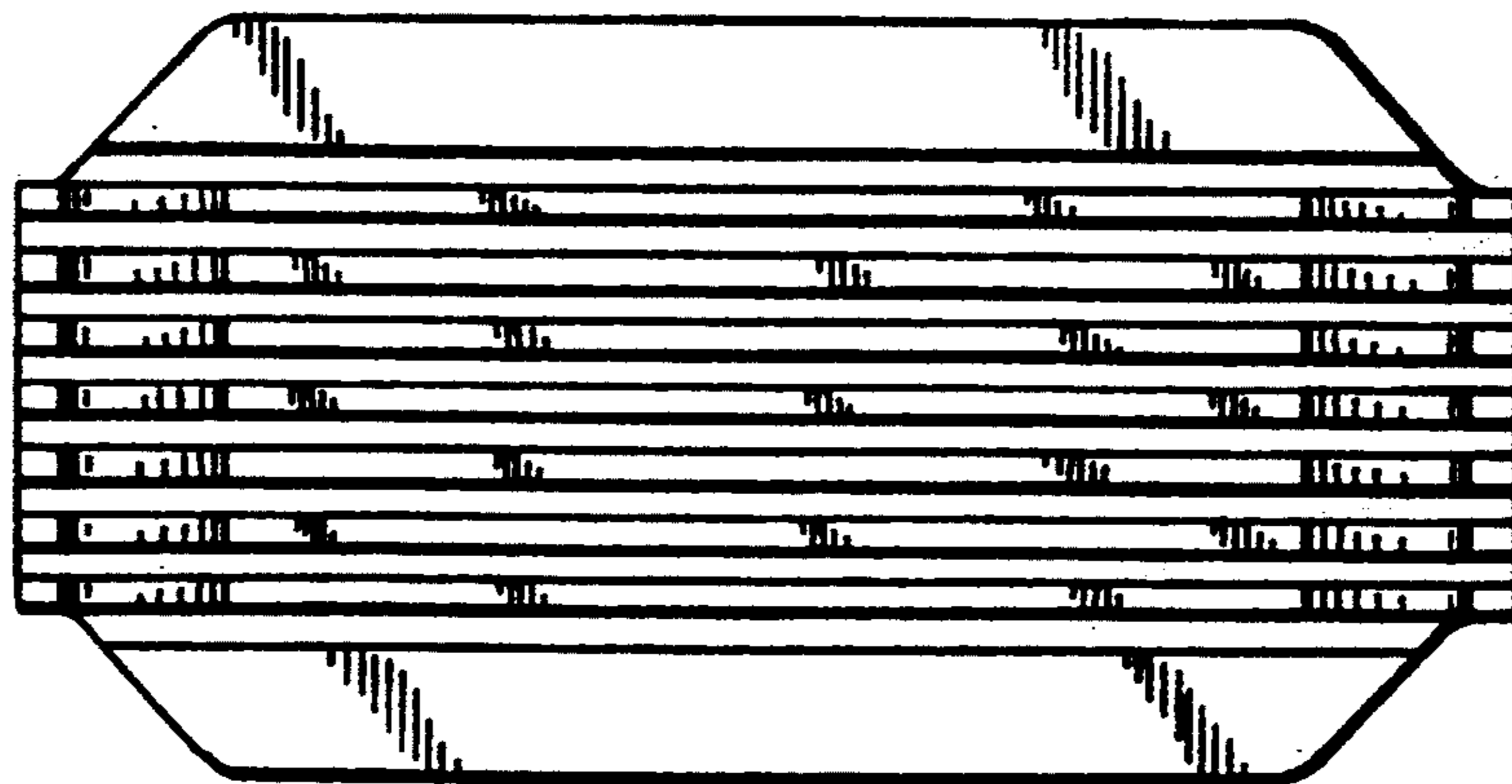


FIG. 2

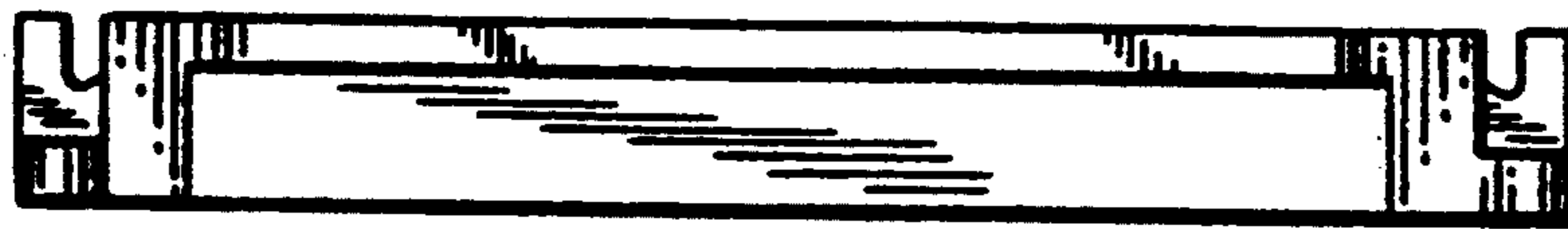


FIG. 3



FIG. 4

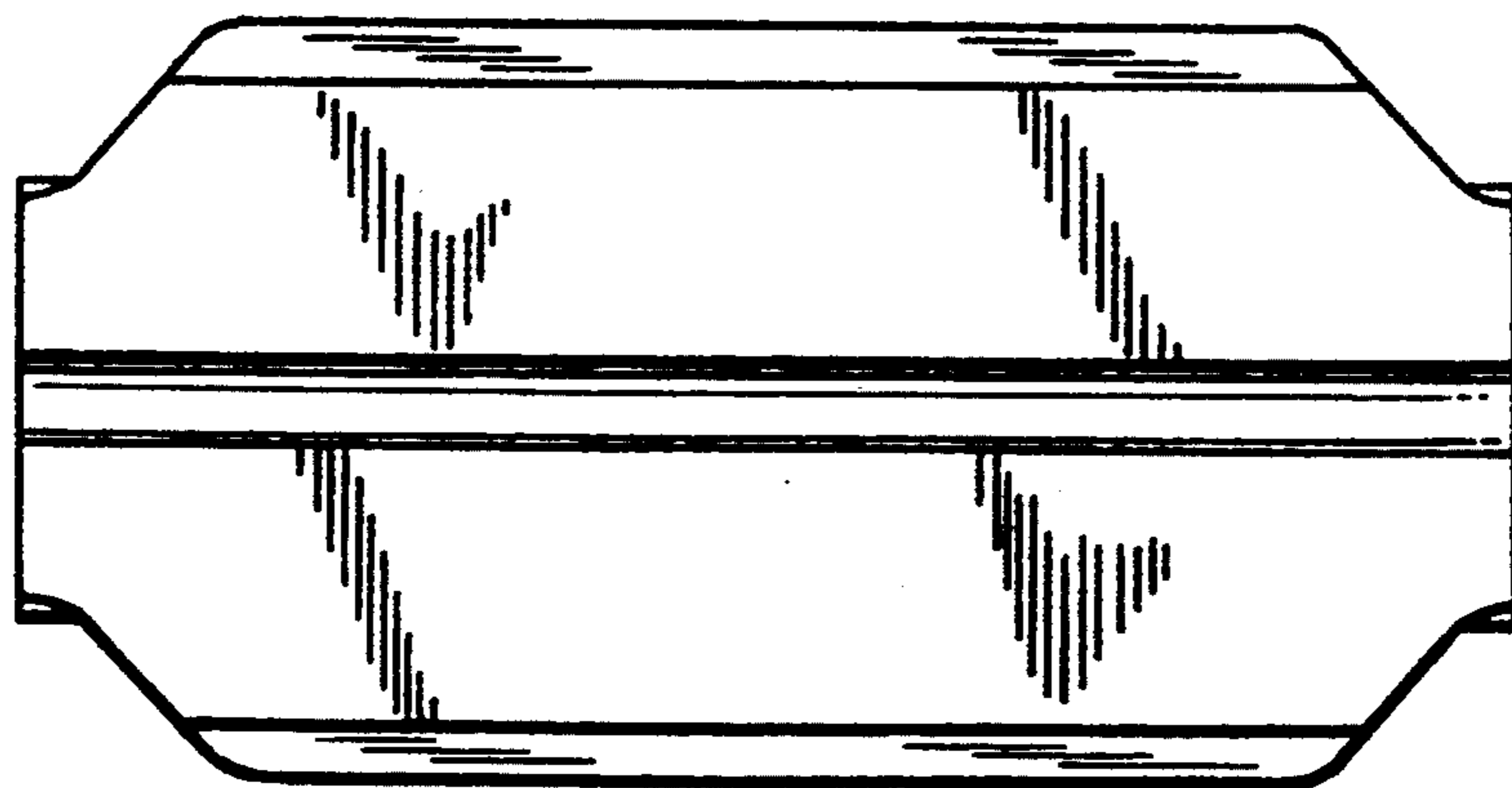


FIG. 5

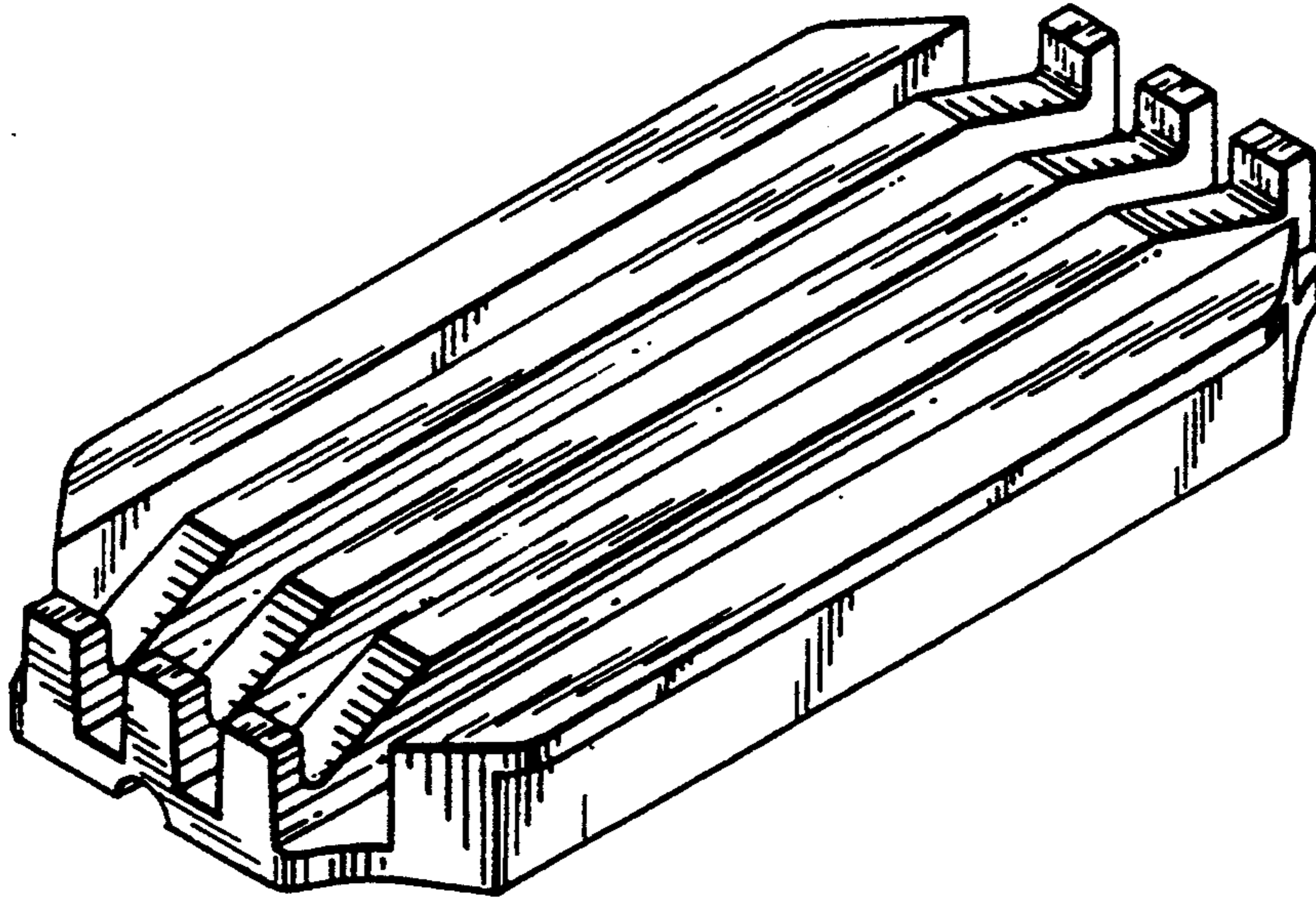


FIG. 6

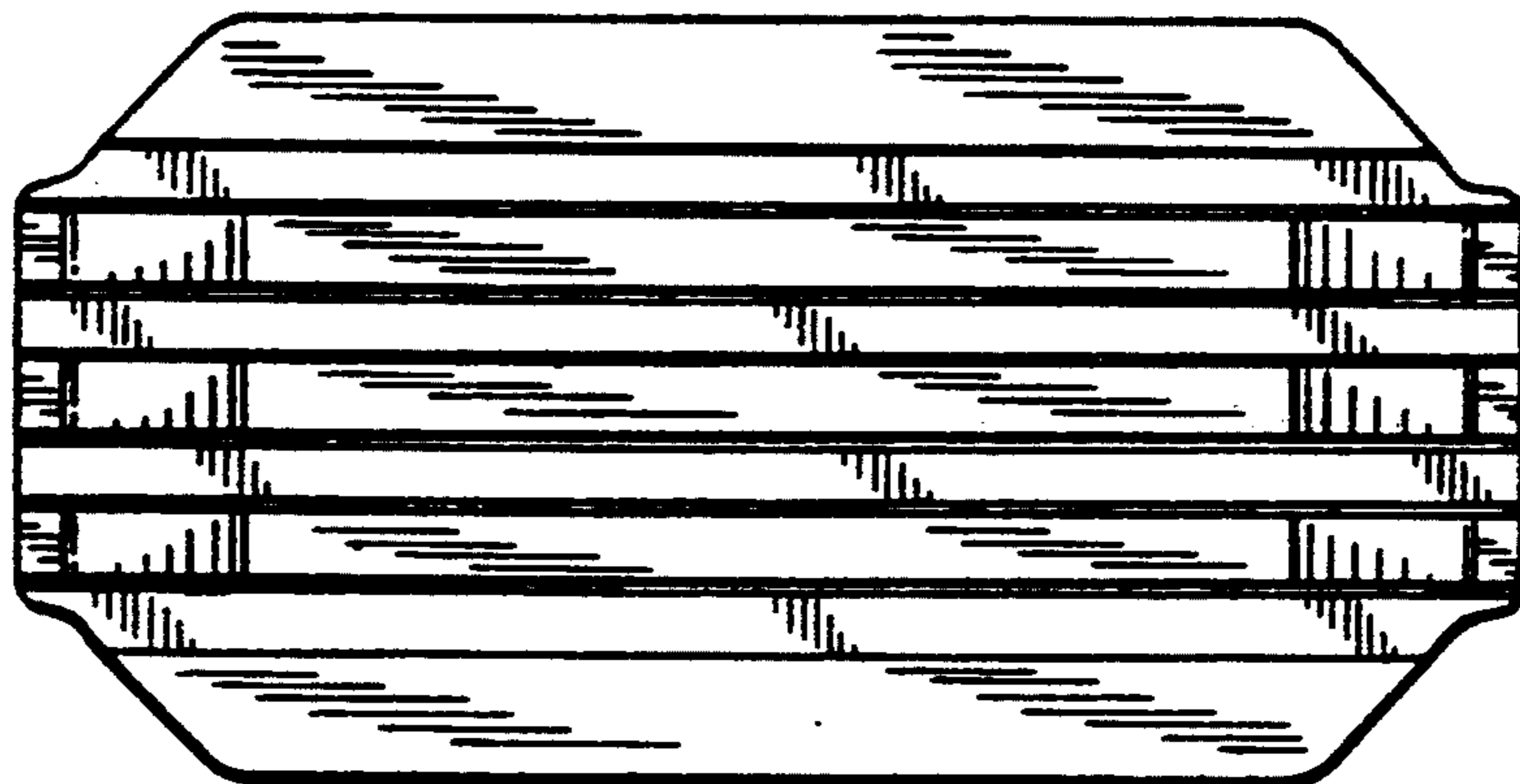


FIG. 7

FIG. 8

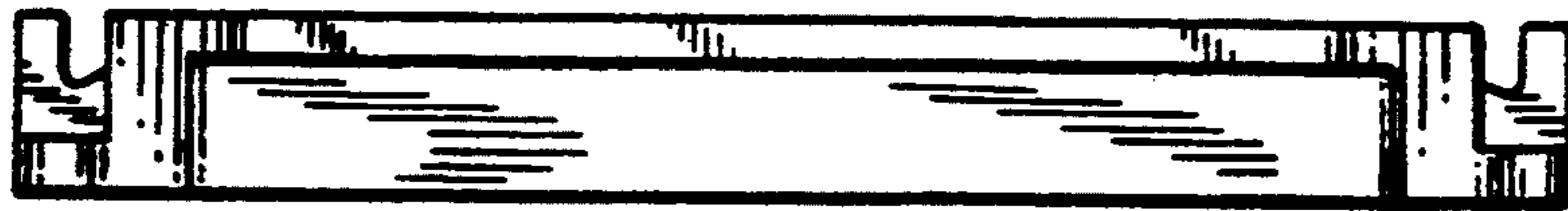


FIG. 9



FIG. 10

