



US00D355246S

United States Patent [19]

[11] Patent Number: **Des. 355,246**

Kawamura et al.

[45] Date of Patent: **** Feb. 7, 1995**

[54] **COMBINED BIDET, BIDET CONTROL, TOILET SEAT AND COVER**

[75] Inventors: **Seijiro Kawamura; Noriko Yoshii,**
both of Kitakyushu, Japan

[73] Assignee: **Toto Ltd., Fukuoka, Japan**

[**] Term: **14 Years**

[21] Appl. No.: **989**

[22] Filed: **Oct. 30, 1992**

[30] **Foreign Application Priority Data**

May 1, 1992 [JP] Japan 4-13061

[52] U.S. Cl. **D23/295; D23/311**

[58] Field of Search **D23/295, 311, 312;**
4/234, 237, 420.1-420.5, 443-448

[56] **References Cited**

U.S. PATENT DOCUMENTS

- D. 243,183 1/1977 Davis, Jr. D23/311
- D. 283,835 5/1986 Maruyama et al. D23/311
- D. 288,592 3/1987 Stairs, Jr. D23/311
- D. 294,731 3/1988 Reid D23/311
- 4,389,738 6/1983 Ando et al. 4/447 X
- 4,581,779 4/1986 Matsui et al. 4/448 X
- 4,598,431 7/1986 Nagai et al. 4/443 X
- 4,616,368 10/1986 Nagai et al. 4/443 X
- 4,628,548 12/1986 Kurosawa et al. 4/420.4
- 5,050,249 9/1991 Takeda et al. 4/443

FOREIGN PATENT DOCUMENTS

- 584367 6/1982 Japan .
- 695407 9/1986 Japan .
- 824964 9/1991 Japan .
- 839187 2/1992 Japan .
- 849766 6/1992 Japan .

Primary Examiner—James R. Largen
Attorney, Agent, or Firm—Finnegan, Henderson,
Farabow, Garrett & Dunner

[57] **CLAIM**

The ornamental design for a combined bidet, bidet control, toilet seat and cover, as shown and described.

DESCRIPTION

FIG. 1 is a front elevational view a combined bidet, bidet control, toilet seat and cover showing my new design;

FIG. 2 is a rear elevational view thereof;

FIG. 3 is a left side elevational view thereof;

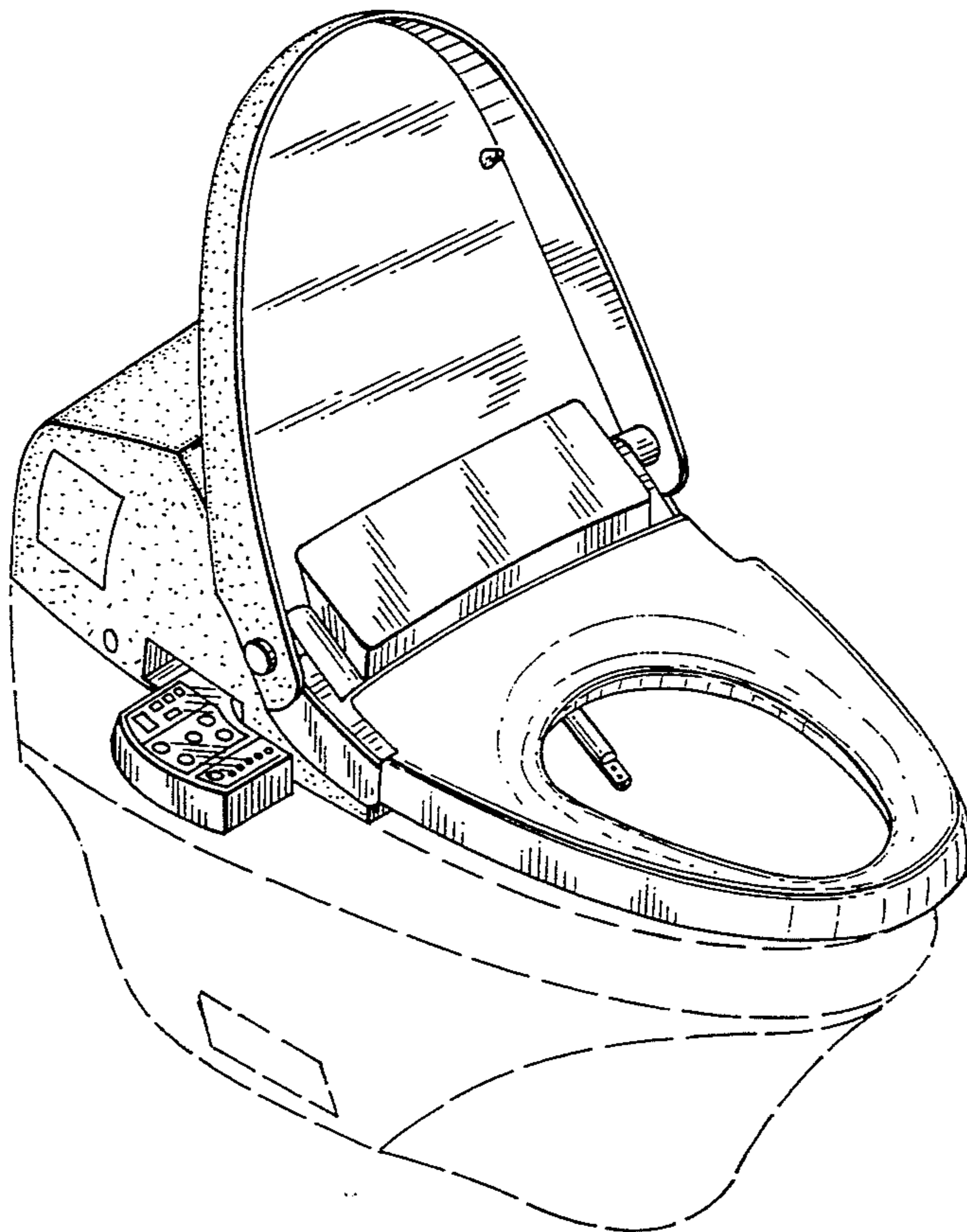
FIG. 4 is a right side elevational view thereof;

FIG. 5 is a top view thereof;

FIG. 6 is a bottom view thereof; and,

FIG. 7 is a perspective view taken from the top, front and left side thereof, with the cover in a raised position and showing the bidet control and bidet.

The broken line representation of a toilet in FIG. 7 is for purposes of illustration only and forms no part of the claimed design.



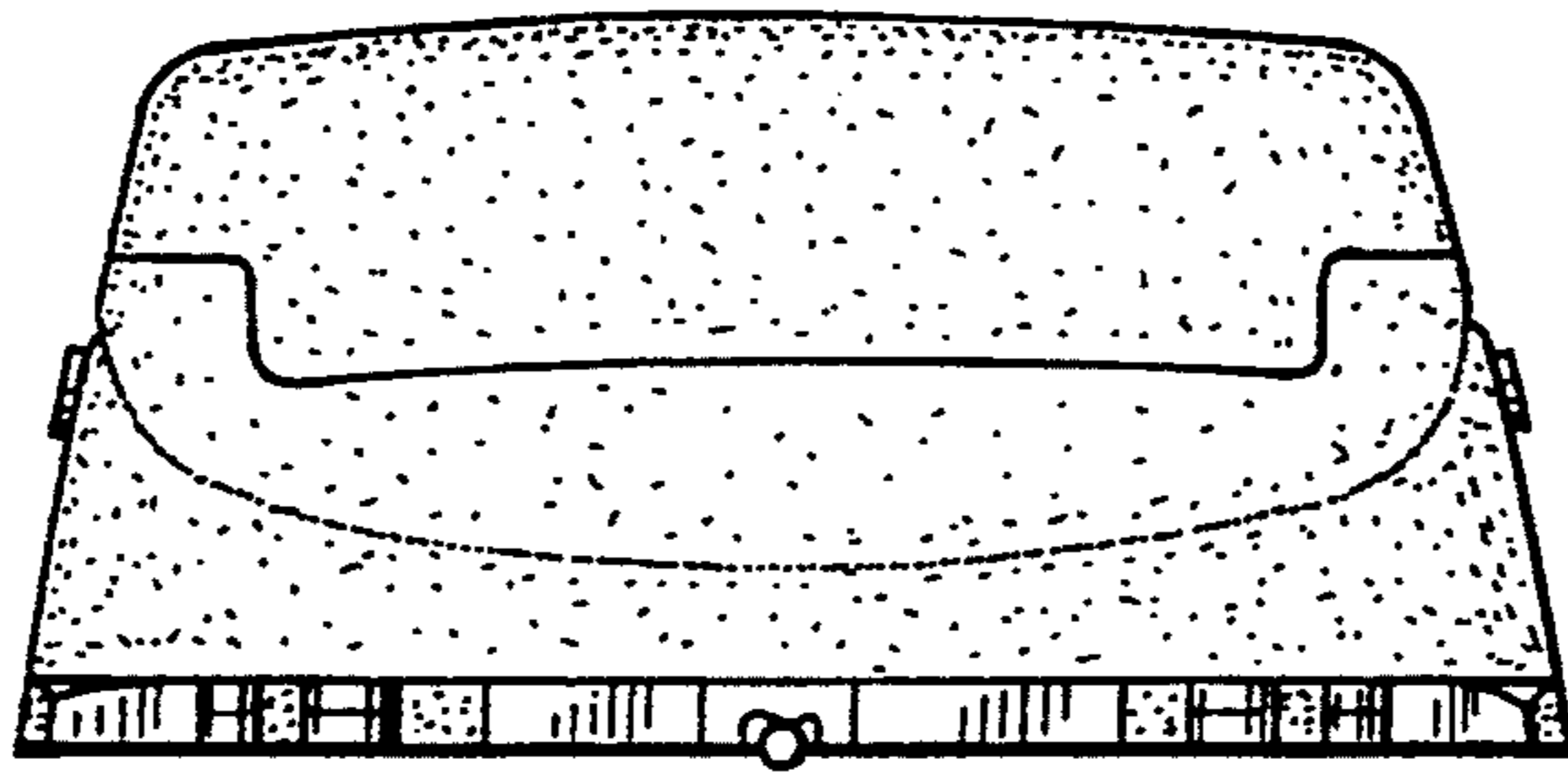


FIG. 1

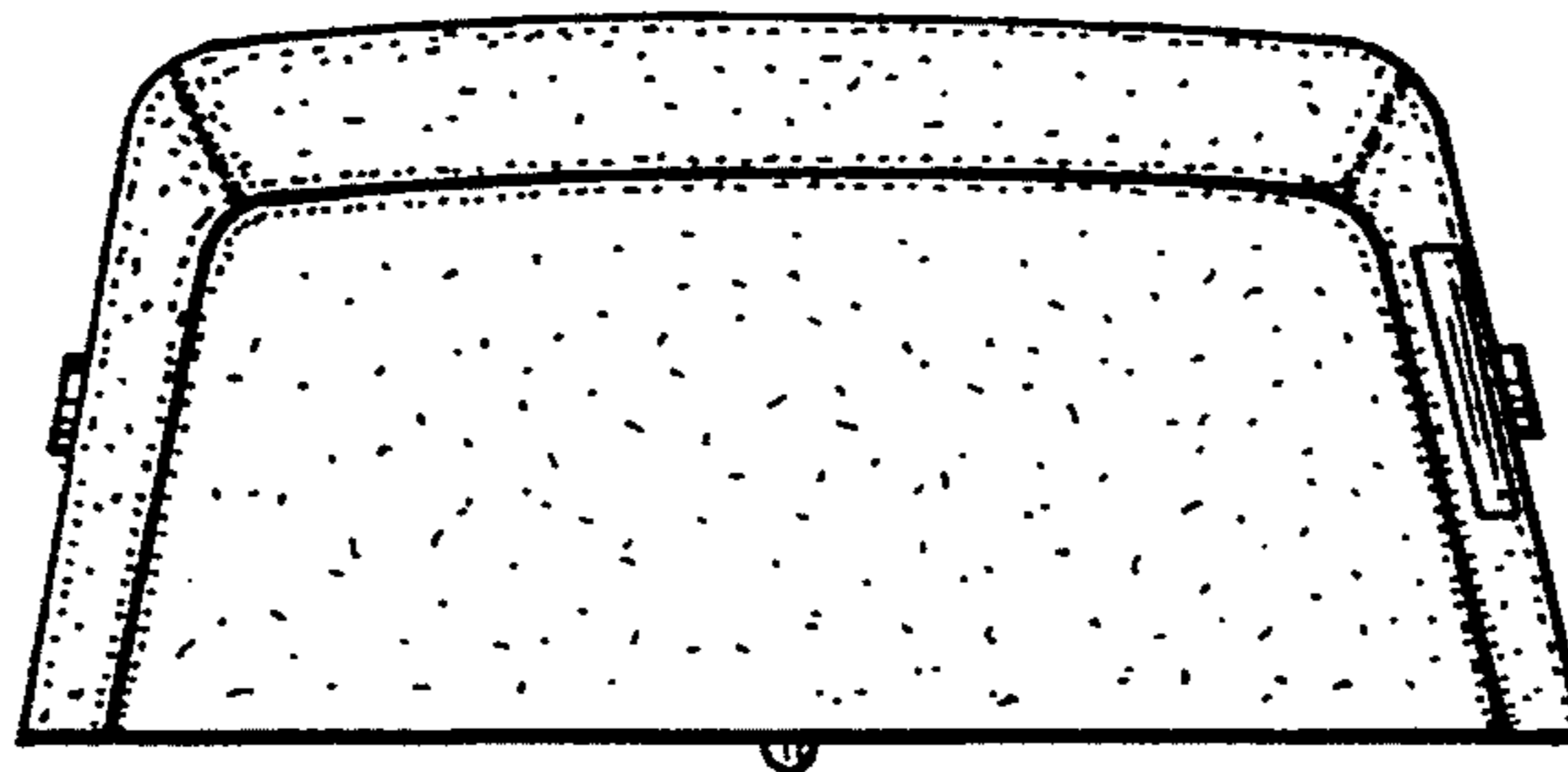


FIG. 2

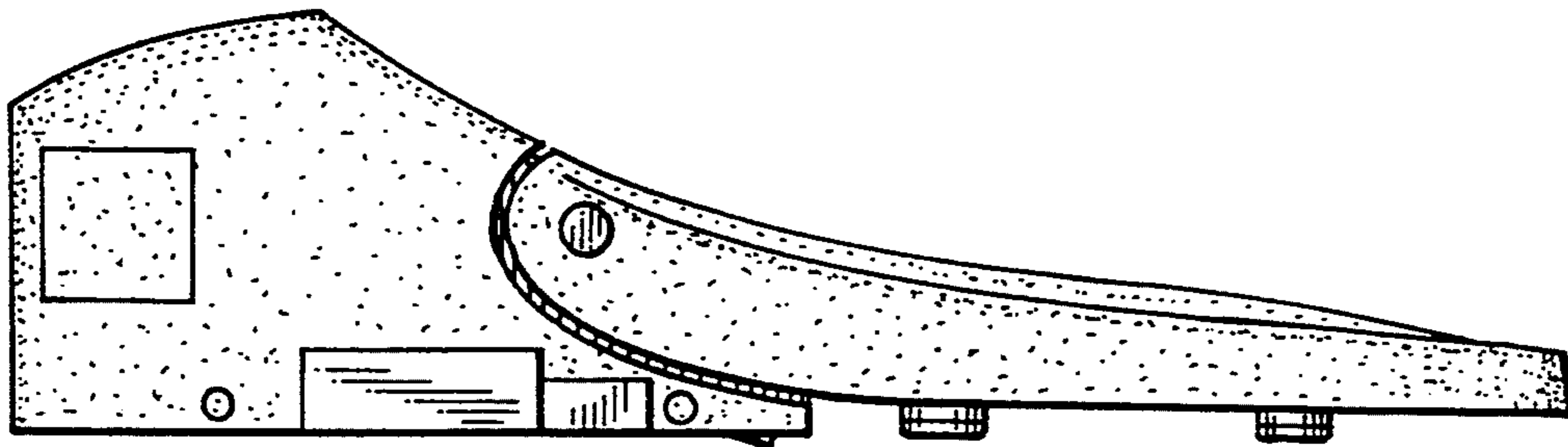


FIG. 3

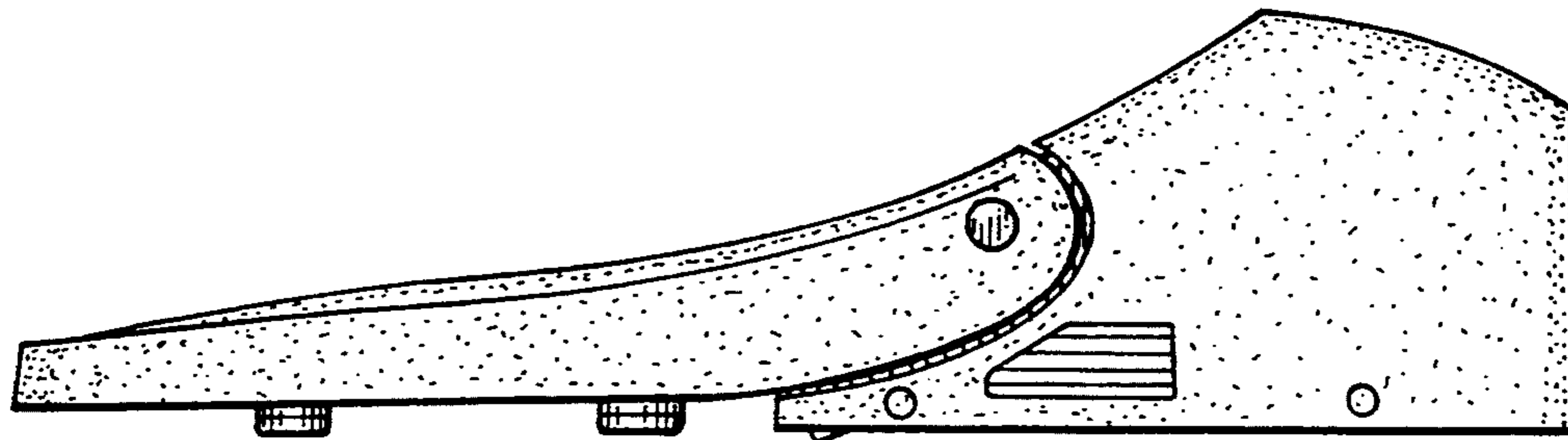


FIG. 4

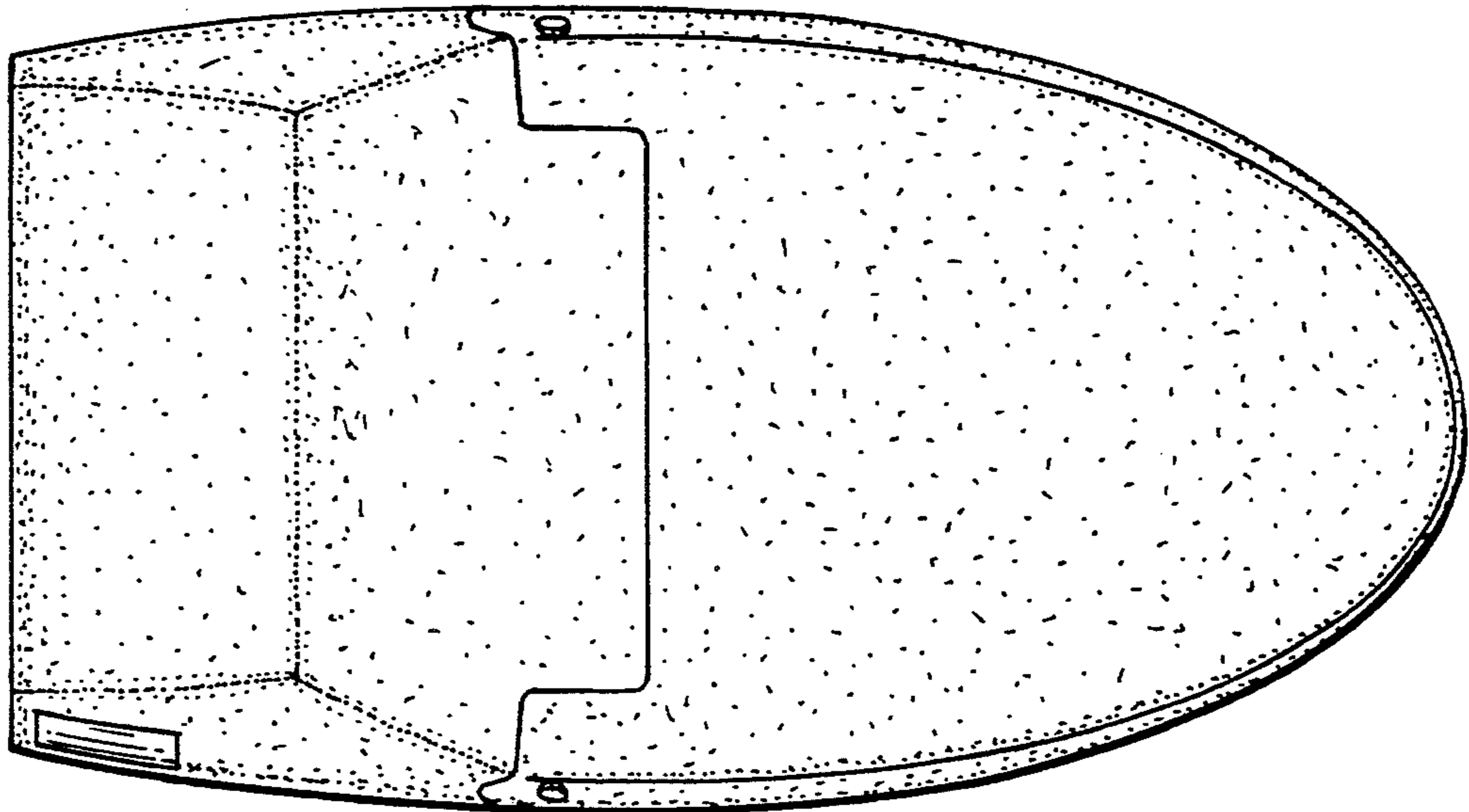


FIG. 5

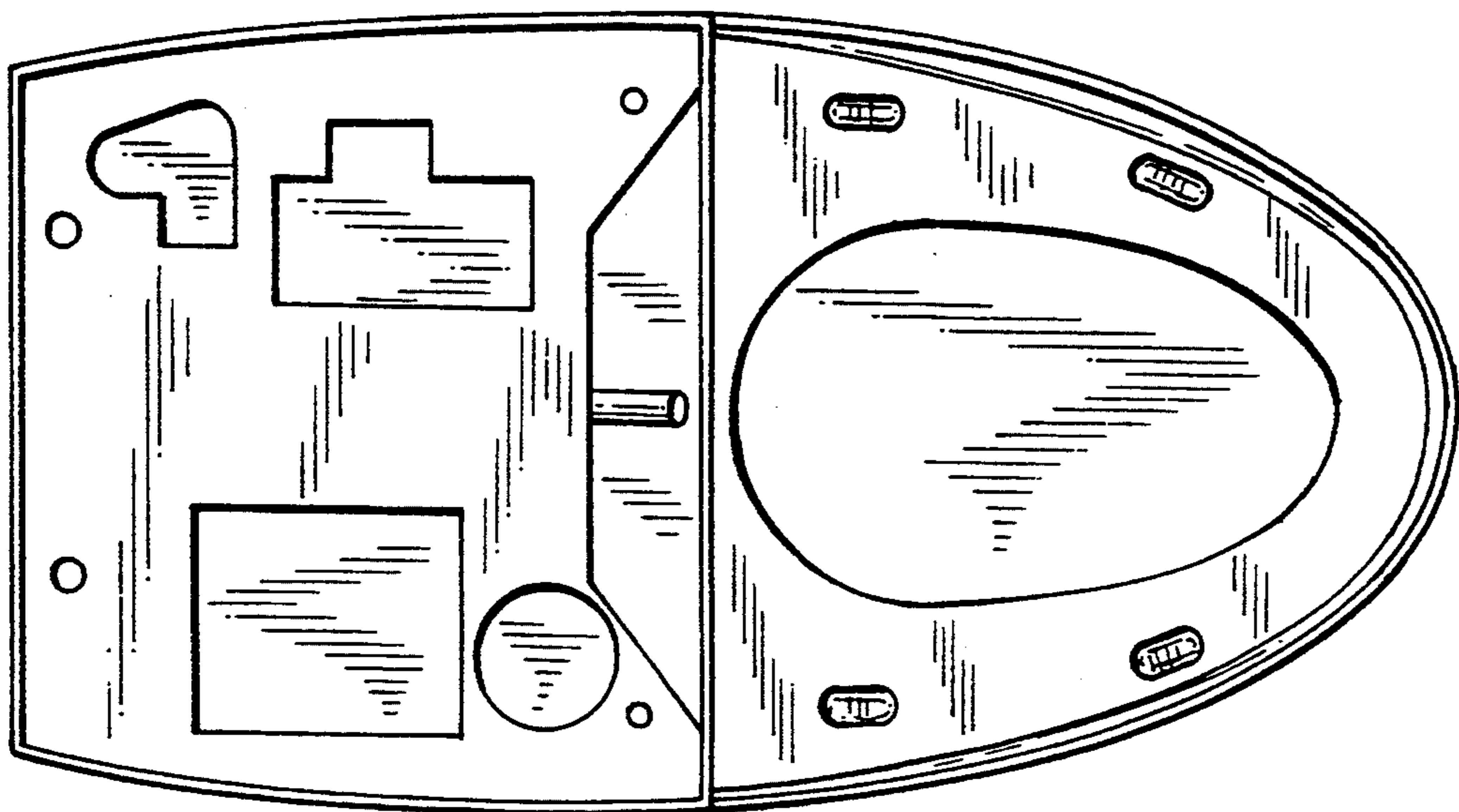


FIG. 6

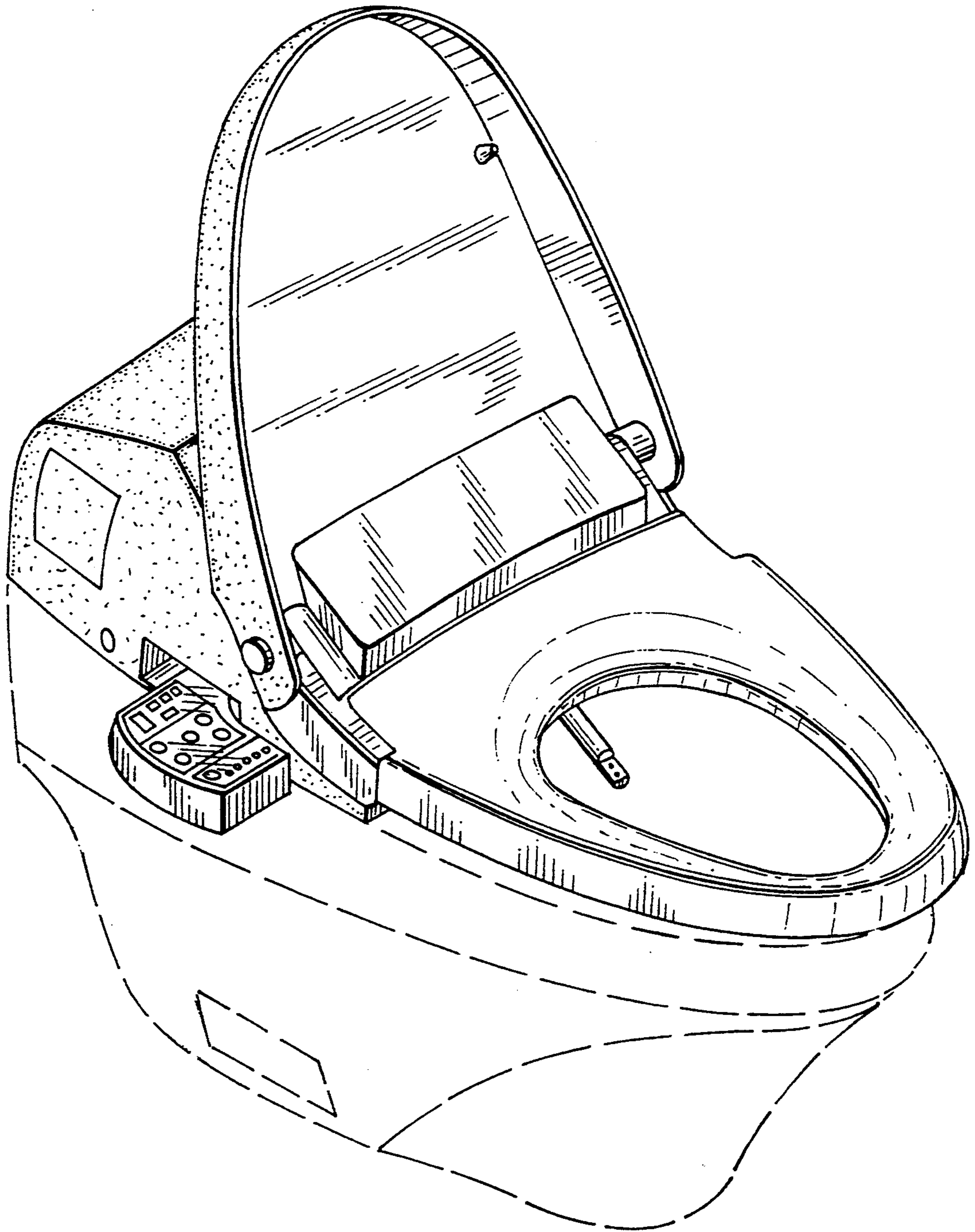


FIG. 7