



US00D355245S

United States Patent [19]

[11] Patent Number: Des. 355,245

Sills et al.

[45] Date of Patent: ** Feb. 7, 1995

[54] BATHTUB

[75] Inventors: **Arthur A. Sills**, Traverse City;
Frederick A. Kilbourn; Brian K. Nelson, both of Suttons Bay; **Donald J. Henderson**, Traverse City, all of Mich.

[73] Assignee: **Siltech Products Incorporated**, Traverse City, Mich.

[**] Term: **14 Years**

[21] Appl. No.: **11,117**

[22] Filed: **Jul. 27, 1993**
(Under 37 CFR 1.47)

[52] U.S. Cl. **D23/279**

[58] Field of Search **D23/277-283;**
D24/204, 205; 4/538, 555, 556, 584, 586, 589,
590

3,662,409	5/1972	Johansson .	
3,663,971	5/1972	Bonhote .	
3,719,960	3/1973	Russell	4/556
3,736,924	6/1973	Jacuzzi et al. .	
3,863,275	2/1975	Brendgord et al.	4/556
4,112,524	9/1978	Johansson .	
4,346,485	8/1982	Reed et al. .	
4,360,935	11/1982	Barrett, Sr.	4/555
4,365,367	12/1982	Houle et al. .	
4,399,569	8/1983	Houle .	
4,439,877	4/1984	Houle .	
4,446,586	5/1984	Reed et al. .	
4,546,506	10/1985	Houle et al. .	
4,796,312	1/1989	Corlew	4/555
4,890,341	1/1990	Forbes	4/555
5,184,358	2/1993	Gruidel et al.	4/555

FOREIGN PATENT DOCUMENTS

2434617	8/1978	France .	
WO86/03389	6/1986	WIPO	4/555

Primary Examiner—James R. Largen
Attorney, Agent, or Firm—Learman & McCulloch

[56] References Cited

U.S. PATENT DOCUMENTS

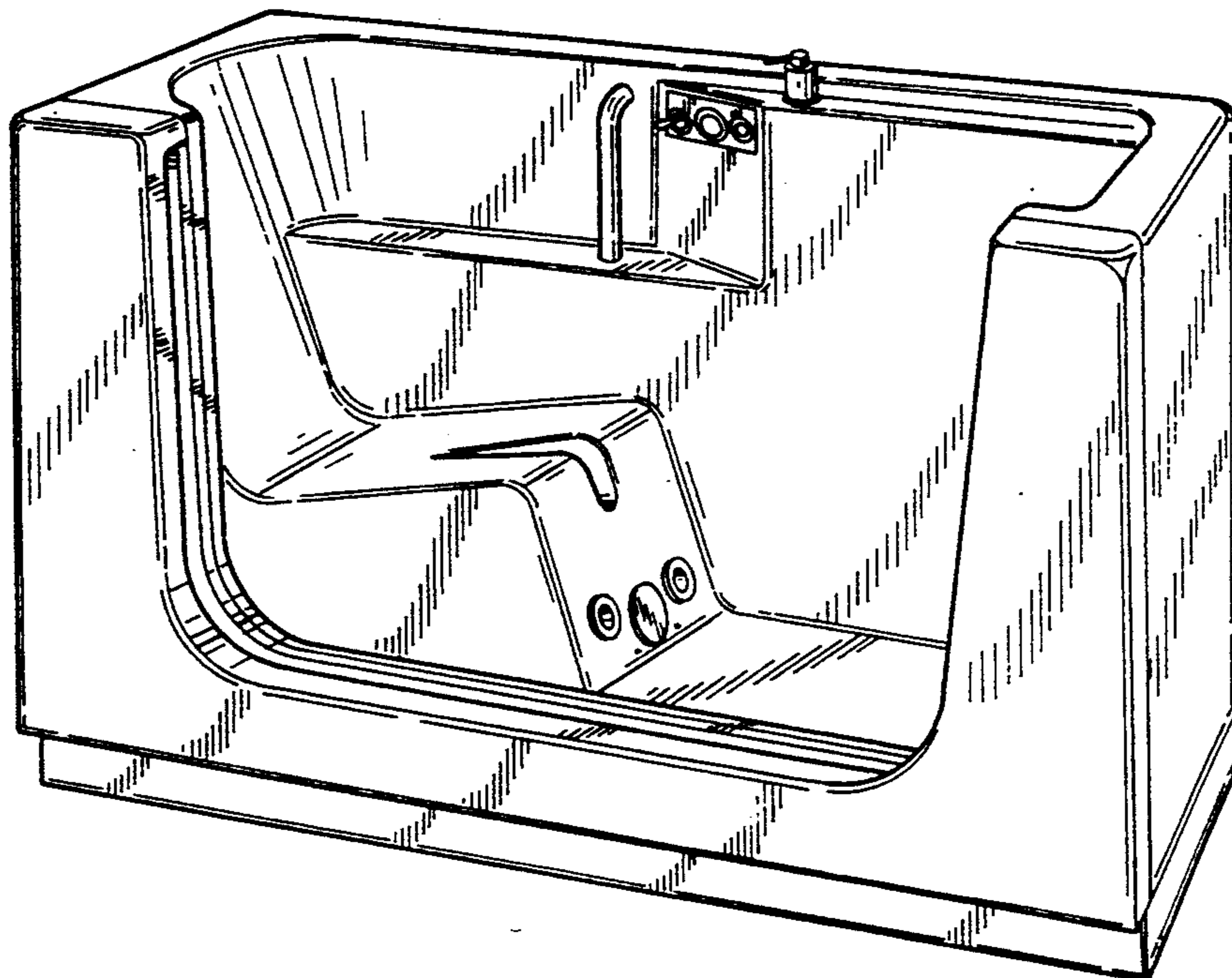
D. 248,107	6/1978	Brengord et al.	D23/279
D. 261,796	11/1981	Queen .	
D. 270,658	9/1983	Sills et al. .	
D. 273,700	5/1984	Parker .	
D. 297,161	8/1988	Weschta	D23/279
D. 326,508	5/1992	Sauter et al.	D23/279
D. 332,827	1/1993	Dannenberg	D23/279
2,081,728	5/1937	Bassett .	
2,569,825	10/1951	Otis	4/556
2,576,623	11/1951	McLaughlin .	
2,977,604	4/1961	Miller	4/556 X
2,991,482	7/1961	Brass	4/556
3,066,316	12/1962	Russell .	
3,113,323	12/1963	Beardsley .	
3,371,354	3/1968	Hayslett	4/556

[57] CLAIM

The ornamental design for a bathtub, shown and described.

DESCRIPTION

FIG. 1 is a perspective view taken from the top, front and right side of a bathtub showing our new design with the access door in a lowered position;
FIG. 2 is another perspective view taken from the top, front and left side of FIG. 1;
FIG. 3 is a front elevational view thereof, showing the access door in it raised position;
FIG. 4 is a top plan view thereof; and,
FIG. 5 is a perspective view taken from the bottom, rear and right side thereof.



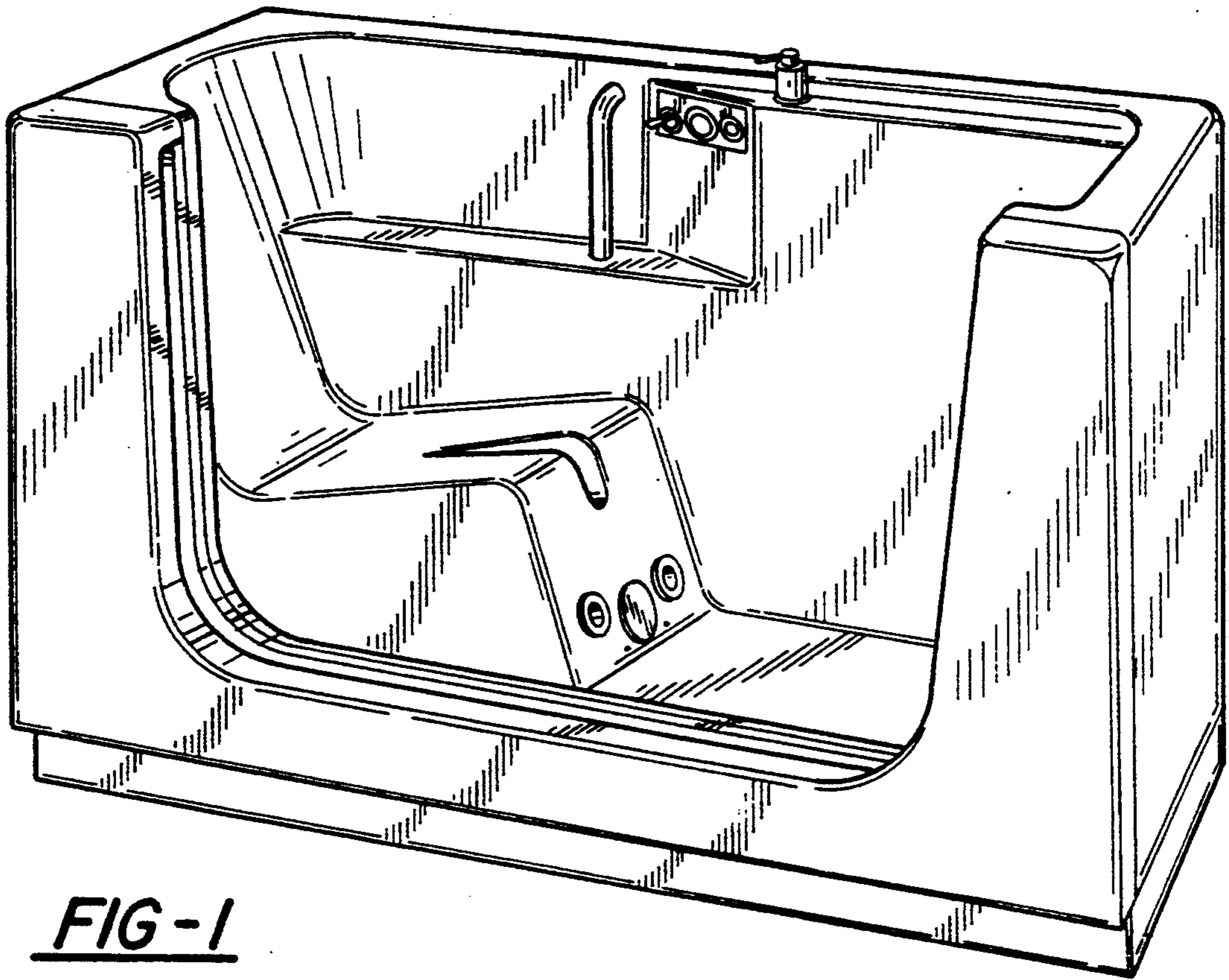


FIG-1

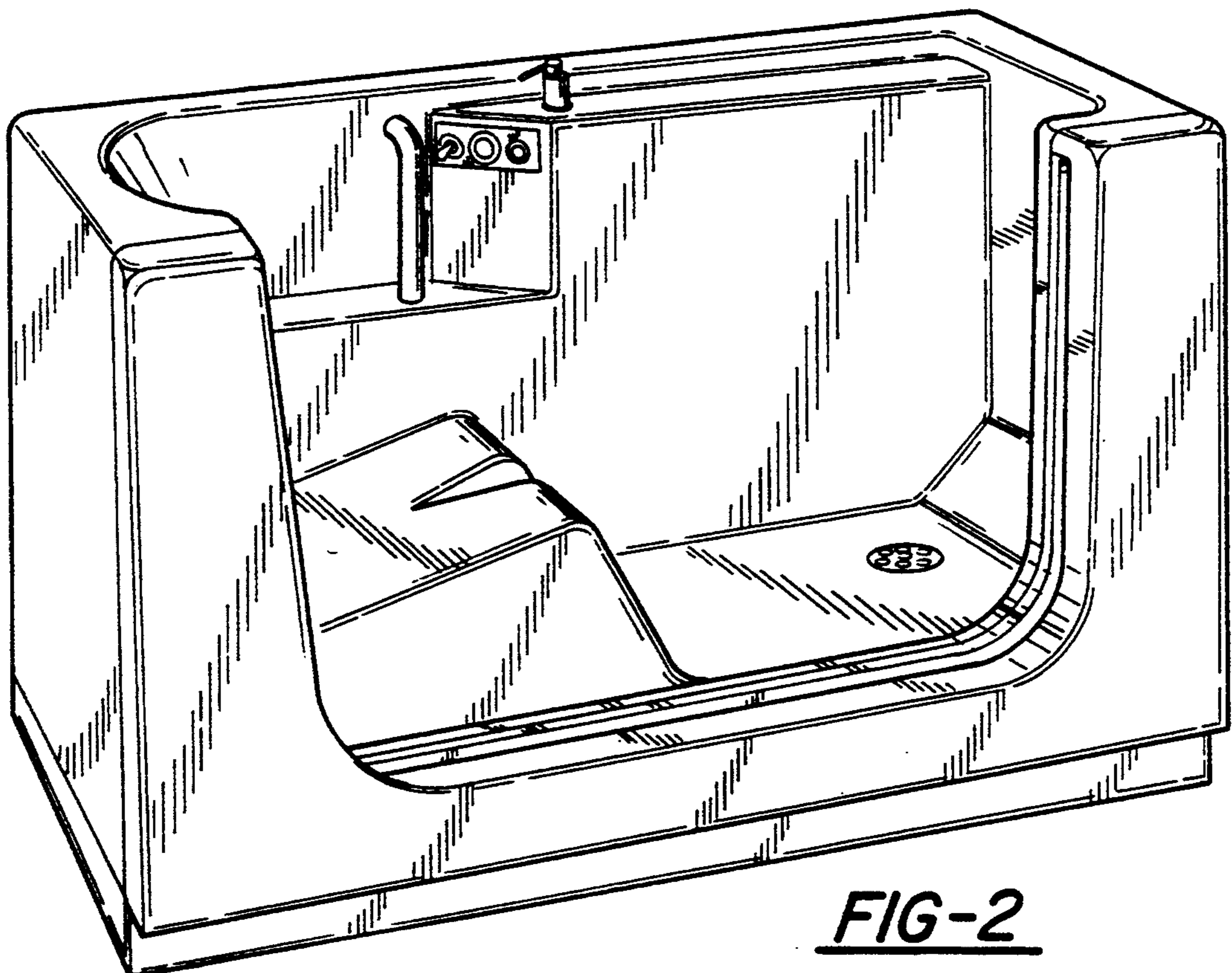


FIG-2

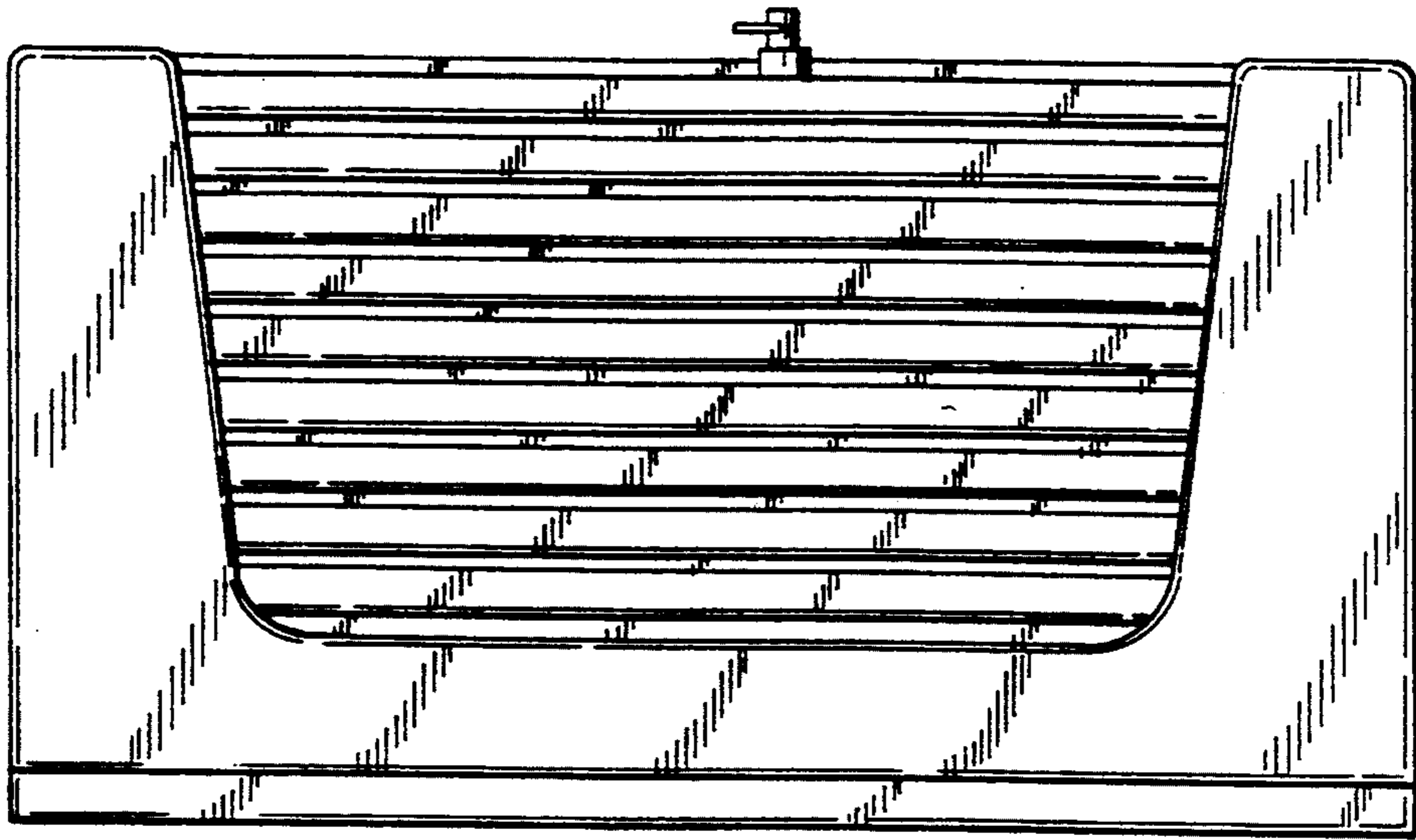


FIG-3

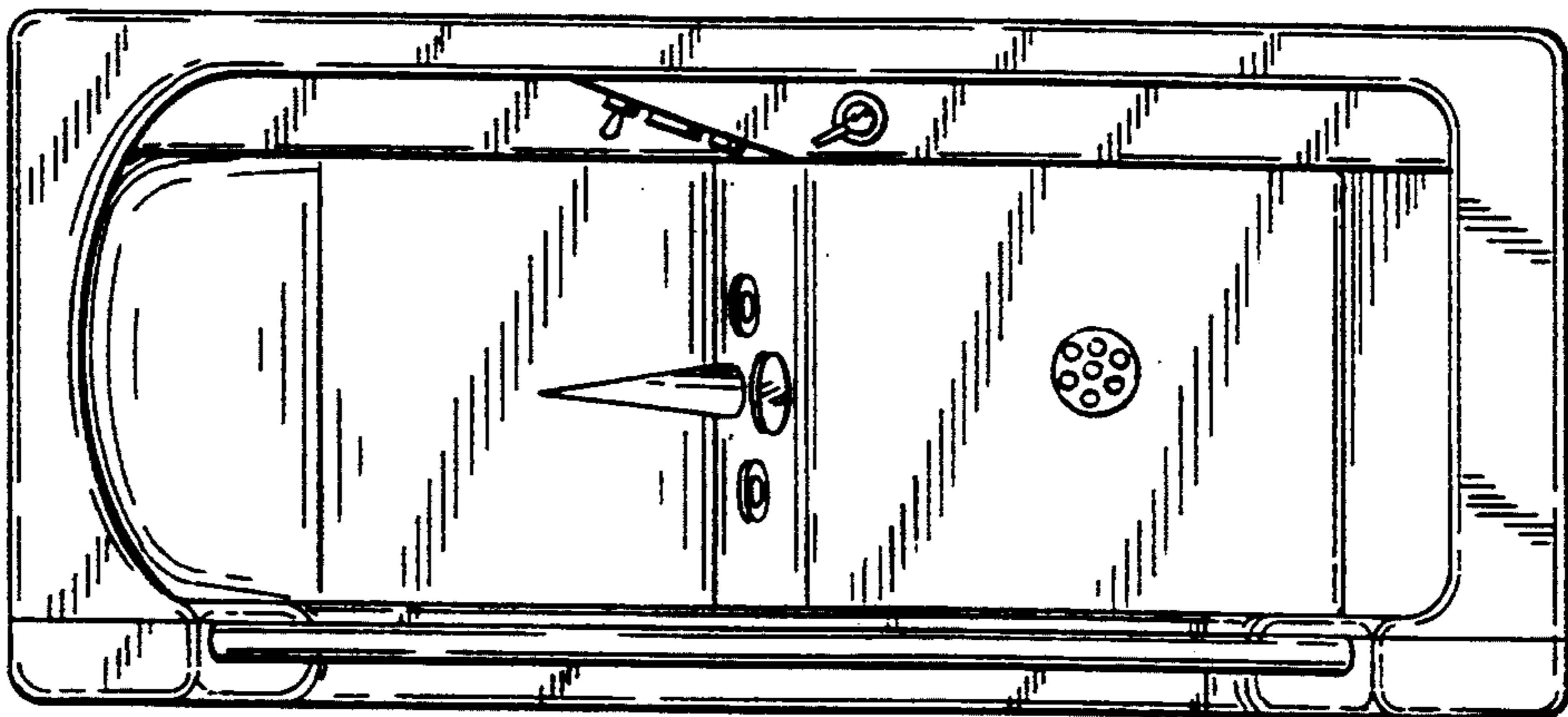


FIG-4

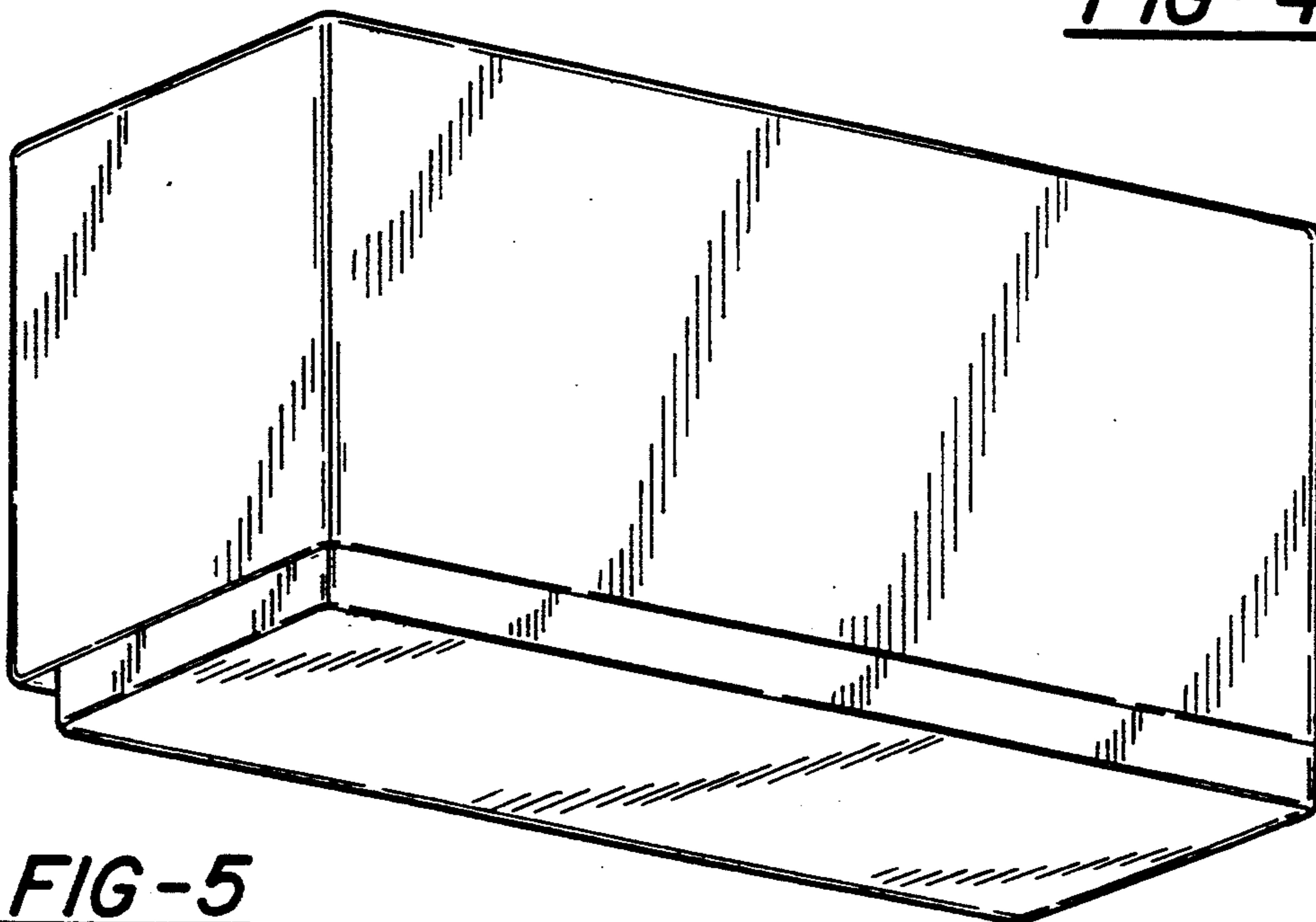


FIG-5