



US00D355244S

United States Patent [19]

[11] Patent Number: **Des. 355,244**

Döragrip et al.

[45] Date of Patent: **** Feb. 7, 1995**

[54] AIR INLET TUBE

[56] References Cited

[75] Inventors: **Gustaf F. A. Döragrip, Tenhult; Göte K. D. Karlsson, Huskvarna, both of Sweden**

U.S. PATENT DOCUMENTS

D. 259,116	5/1981	Pappas	D15/5
D. 278,651	4/1985	Hornak	D23/263
D. 283,154	3/1986	McKinnon	D23/259
D. 340,933	11/1993	Karlsson et al.	D15/5
4,711,225	12/1987	Holderle et al.	123/52 M

[73] Assignee: **Aktiebolaget Electrolux, Sweden**

Primary Examiner—A. Hugo Word
Assistant Examiner—Eric M. Watterson
Attorney, Agent, or Firm—Pearne, Gordon, McCoy & Granger

[**] Term: **14 Years**

[21] Appl. No.: **866,534**

[57] CLAIM

[22] Filed: **Apr. 9, 1992**

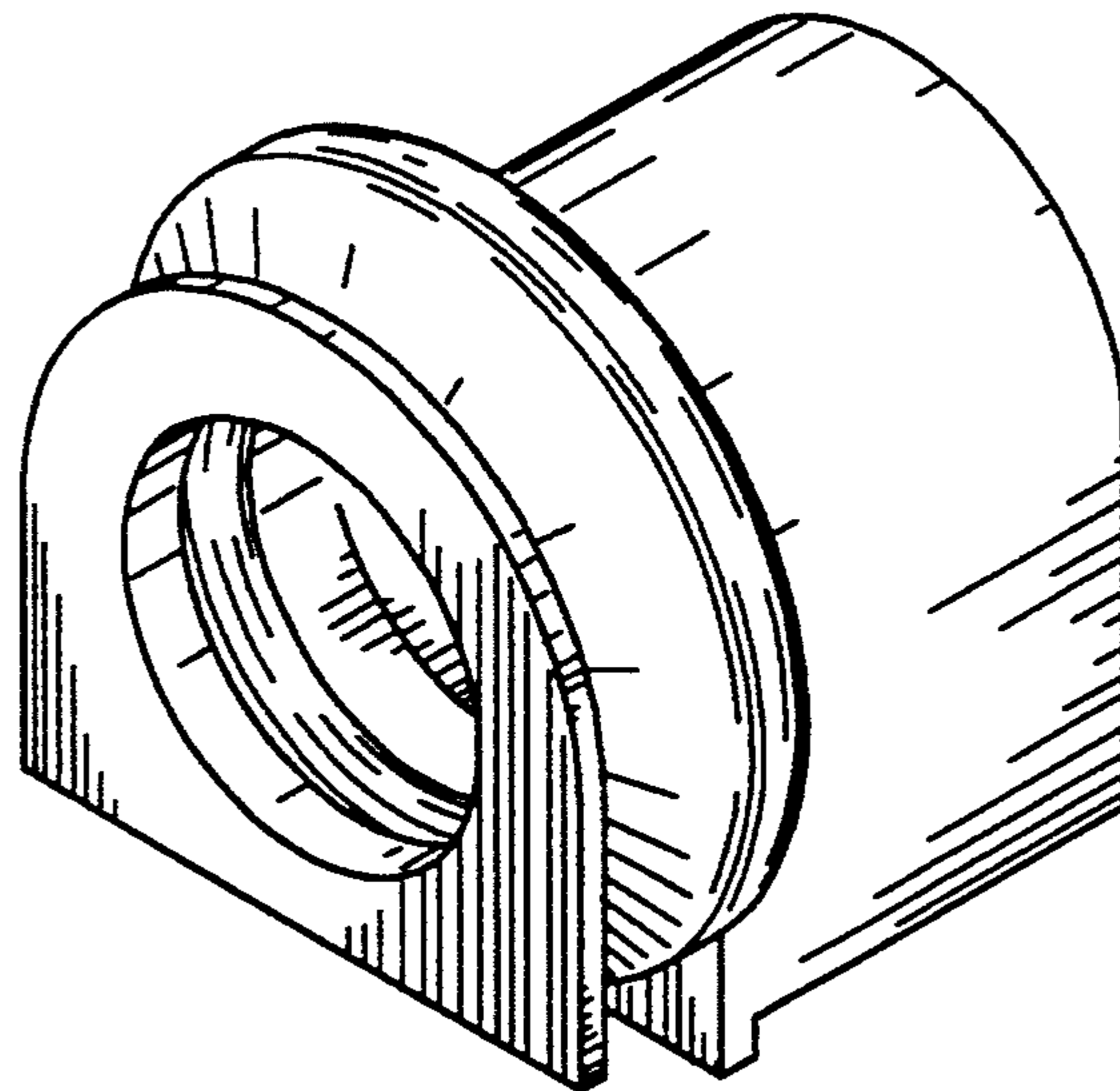
The ornamental design for an air inlet tube, as shown and described.

[30] Foreign Application Priority Data

DESCRIPTION

Oct. 14, 1991 [SE] Sweden 912046
 [52] U.S. Cl. **D23/262; D15/5**
 [58] Field of Search **D23/259-269;**
 D15/5, 6; 123/52 M, 52 MC, 52 ML

FIG. 1 is a side elevation of the air inlet tube;
FIG. 2 is a front elevation of the air inlet tube;
FIG. 3 is a front perspective view of the air inlet tube;
and,
FIG. 4 is a rear perspective view of the air inlet tube.



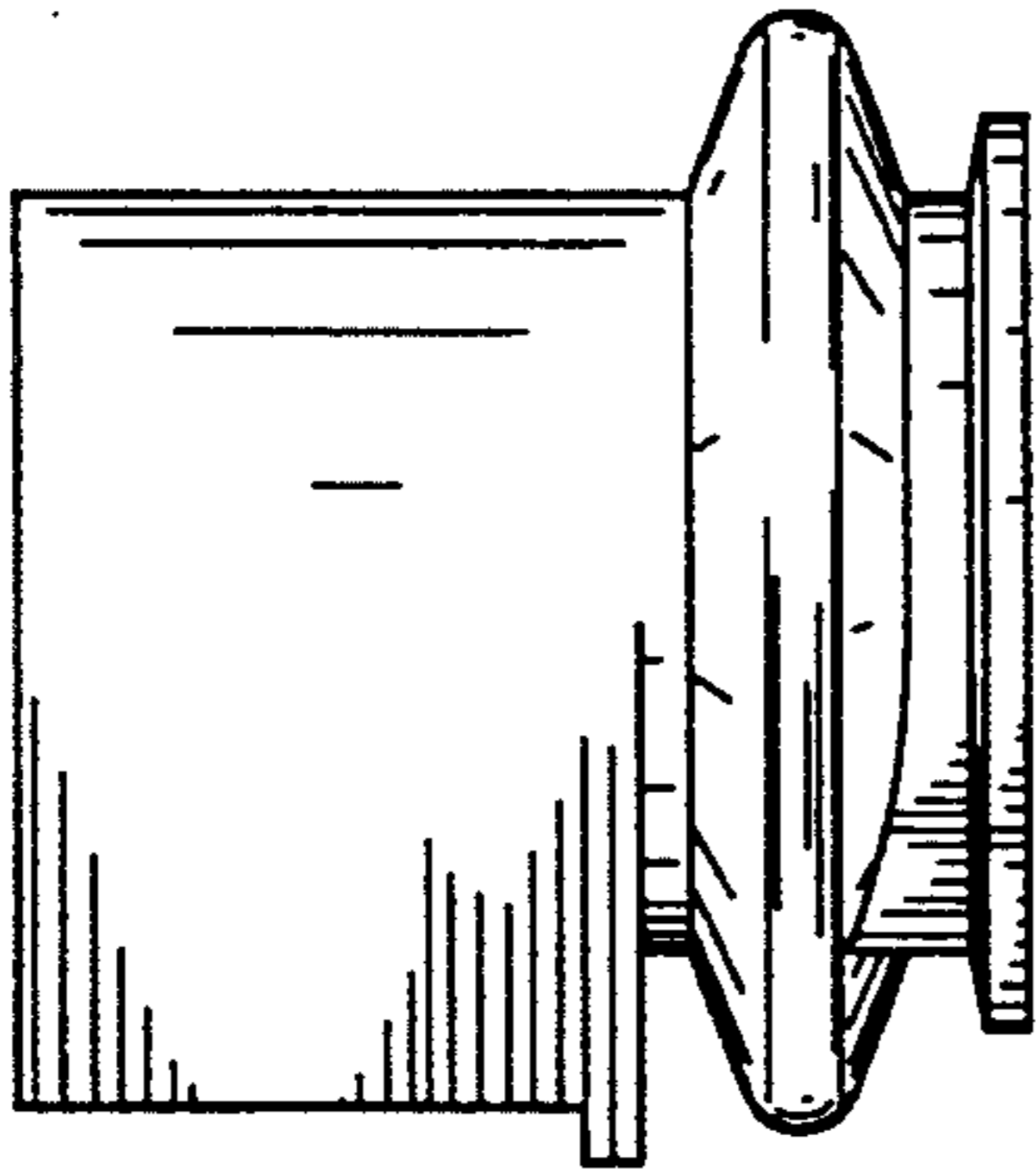


Fig.1

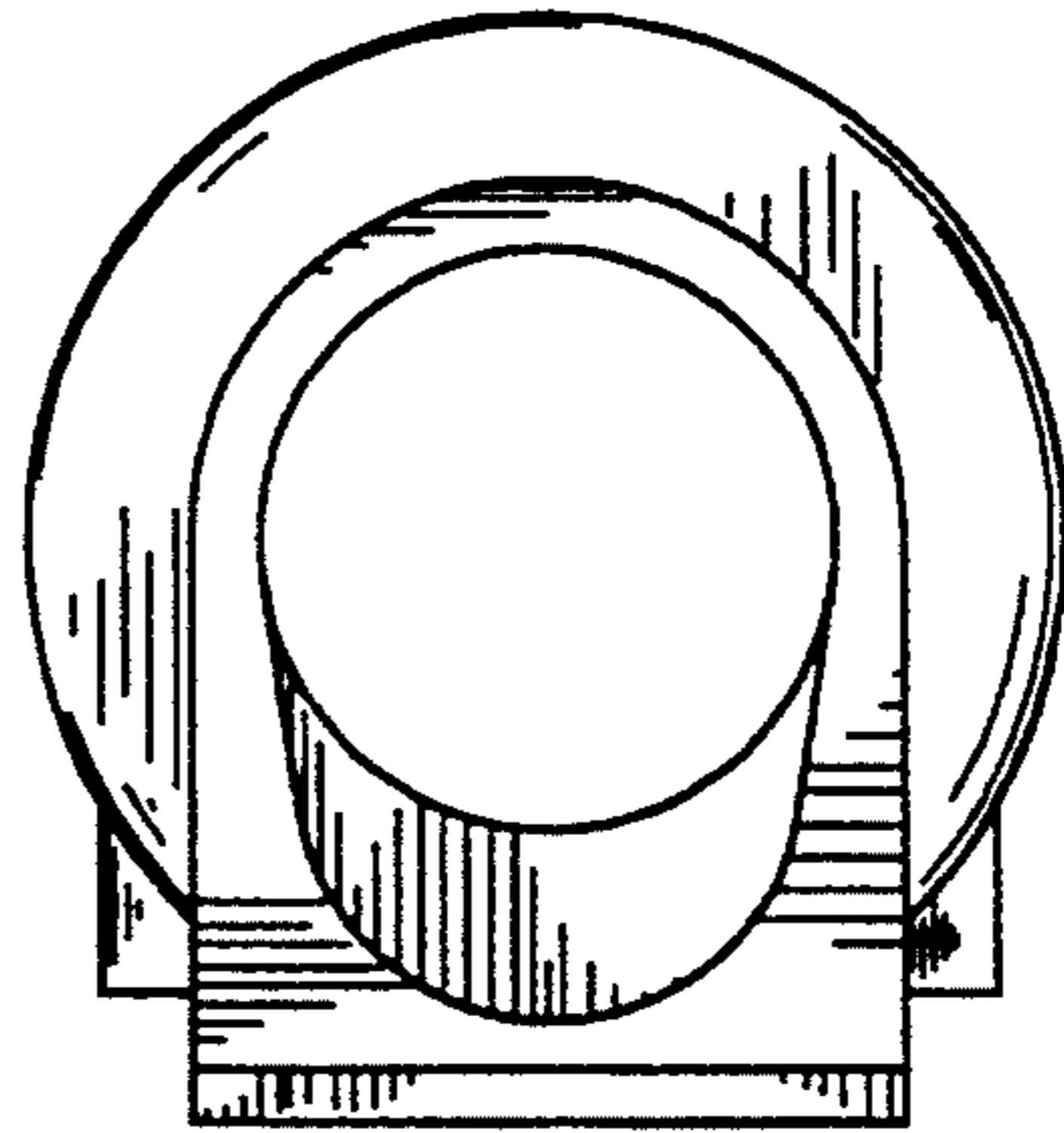


Fig.2

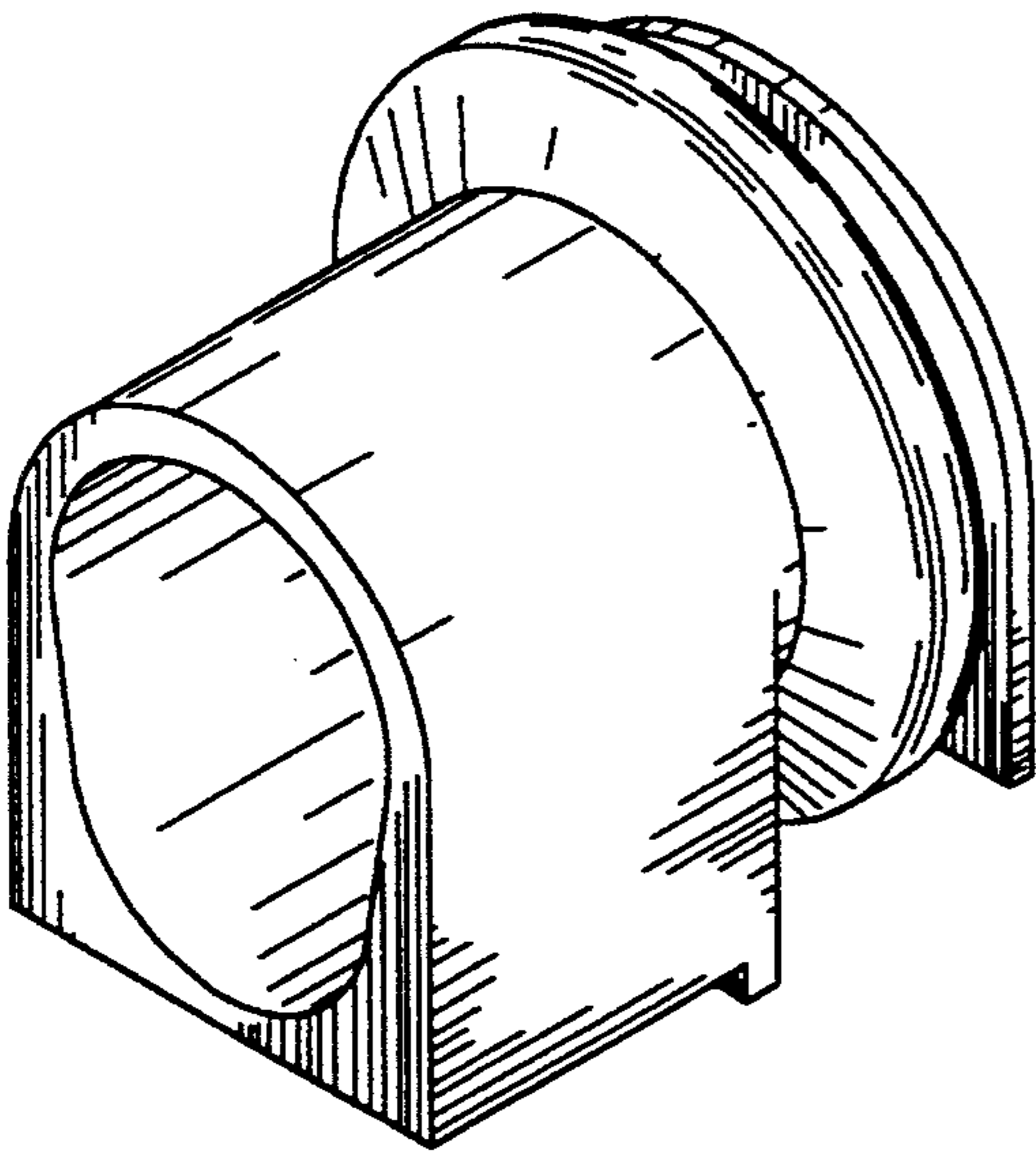


Fig.3

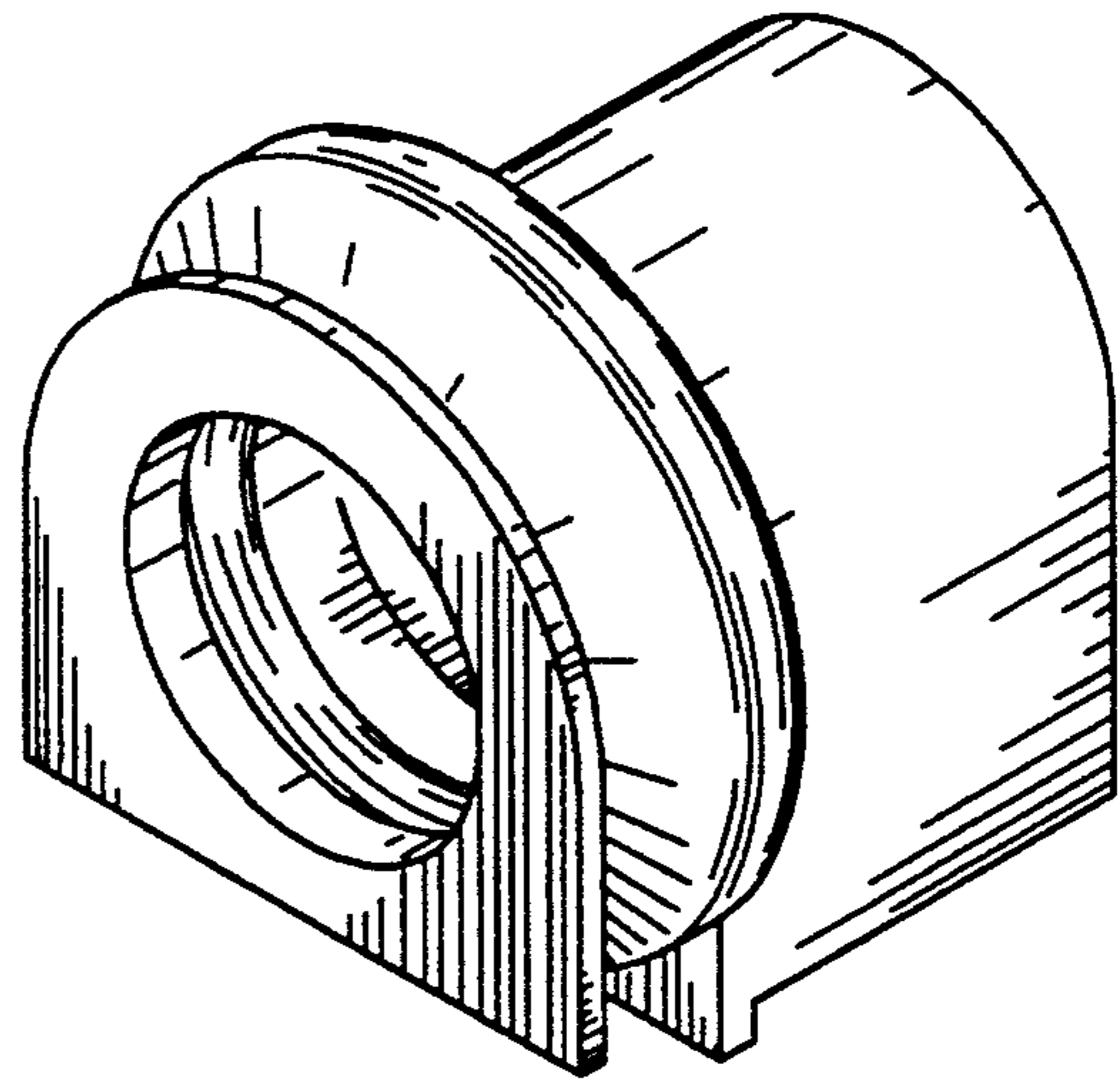


Fig.4