



US00D355243S

# United States Patent [19] Chen

[11] Patent Number: **Des. 355,243**

[45] Date of Patent: **\*\* Feb. 7, 1995**

[54] FAUCET

[75] Inventor: **Sam Chen**, Taipei,

[73] Assignee: **HCG-Moen Corp.**, Taipei,

[\*\*] Term: **14 Years**

[21] Appl. No.: **8,305**

[22] Filed: **May 13, 1993**

[52] U.S. Cl. .... **D23/238**

[58] Field of Search ..... **D23/238-243;**  
**4/675-678; 137/801**

D. 324,095 2/1992 Groho ..... D23/238  
D. 324,723 3/1992 Chretien ..... D23/238  
D. 324,904 3/1992 Haug et al. .... D23/238

*Primary Examiner*—James R. Largen  
*Attorney, Agent, or Firm*—Nixon & Vanderhye

### [57] CLAIM

The ornamental design for faucet, as shown and described.

### DESCRIPTION

FIG. 1 is a perspective view of faucet showing my new design;

FIG. 2 is a front elevational view thereof;

FIG. 3 is a rear elevational view thereof;

FIG. 4 is a left side elevational view thereof;

FIG. 5 is a right side elevational view thereof;

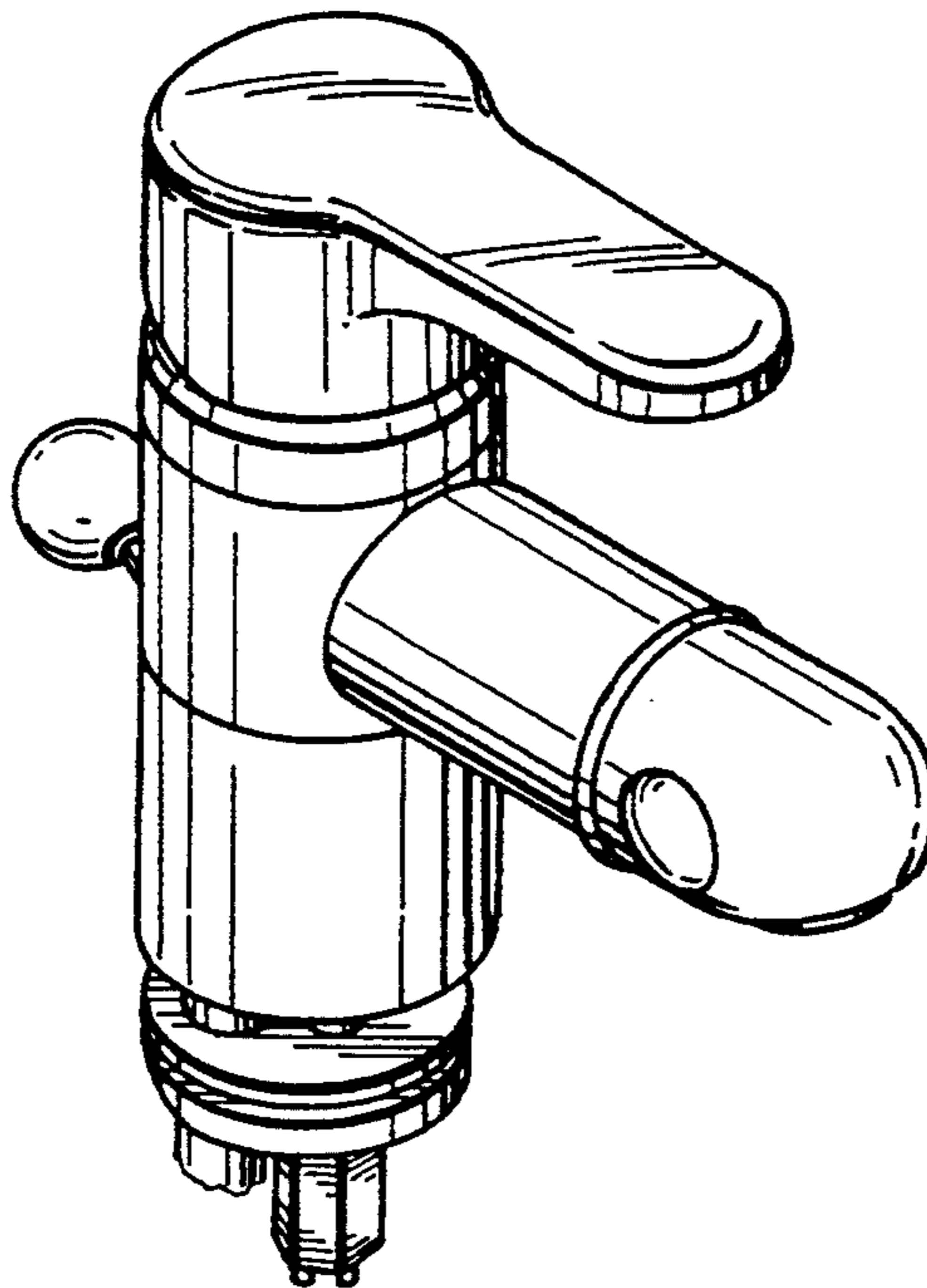
FIG. 6 is a top plan view thereof; and,

FIG. 7 is a bottom plan view thereof.

### [56] References Cited

#### U.S. PATENT DOCUMENTS

D. 253,607 12/1979 Haug ..... D23/238  
D. 291,232 8/1987 Haug et al. .... D23/238  
D. 301,162 5/1989 Oberdorfer ..... D23/238  
D. 309,655 7/1990 Reineeko ..... D23/238



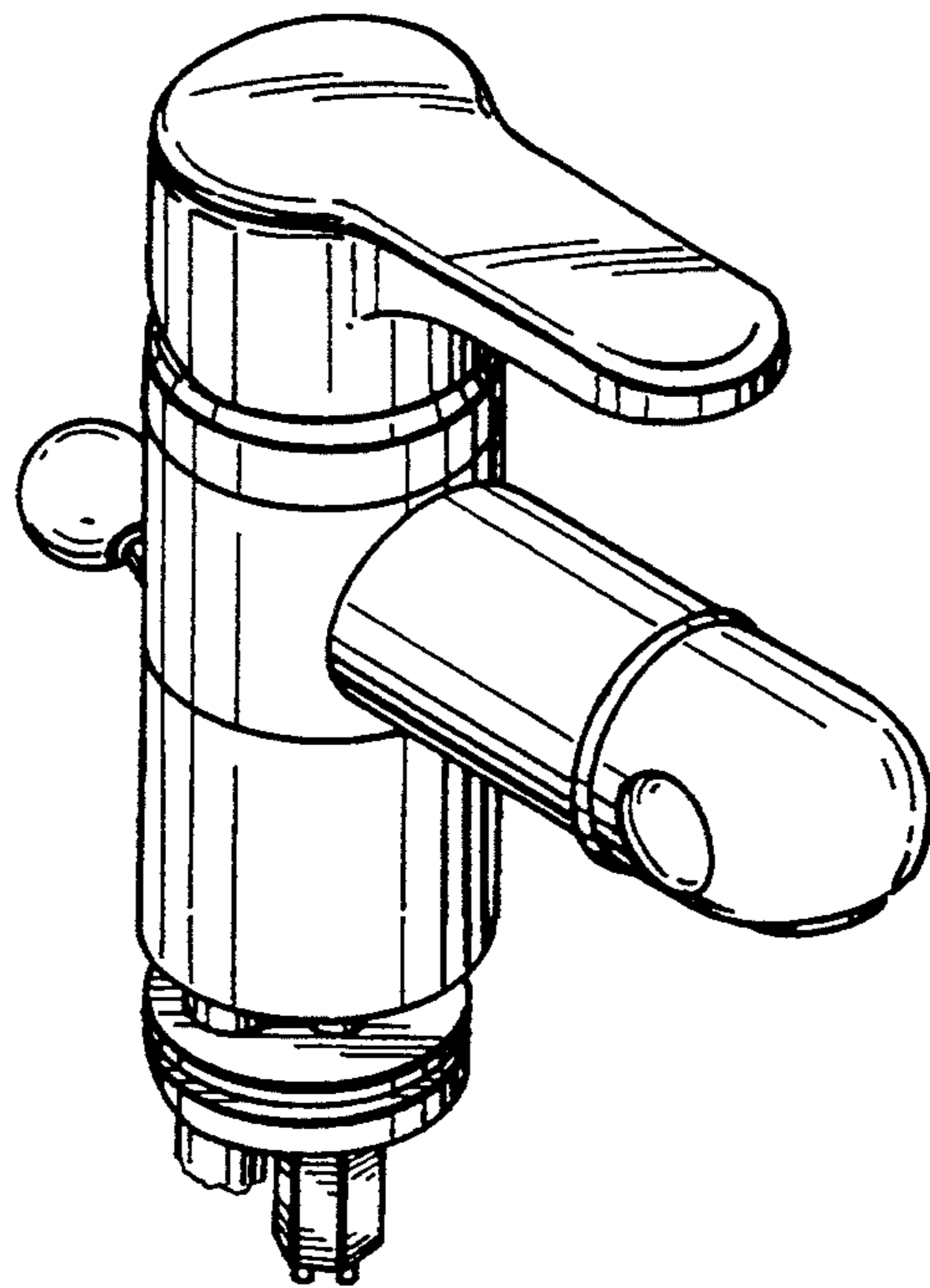


FIG. 1

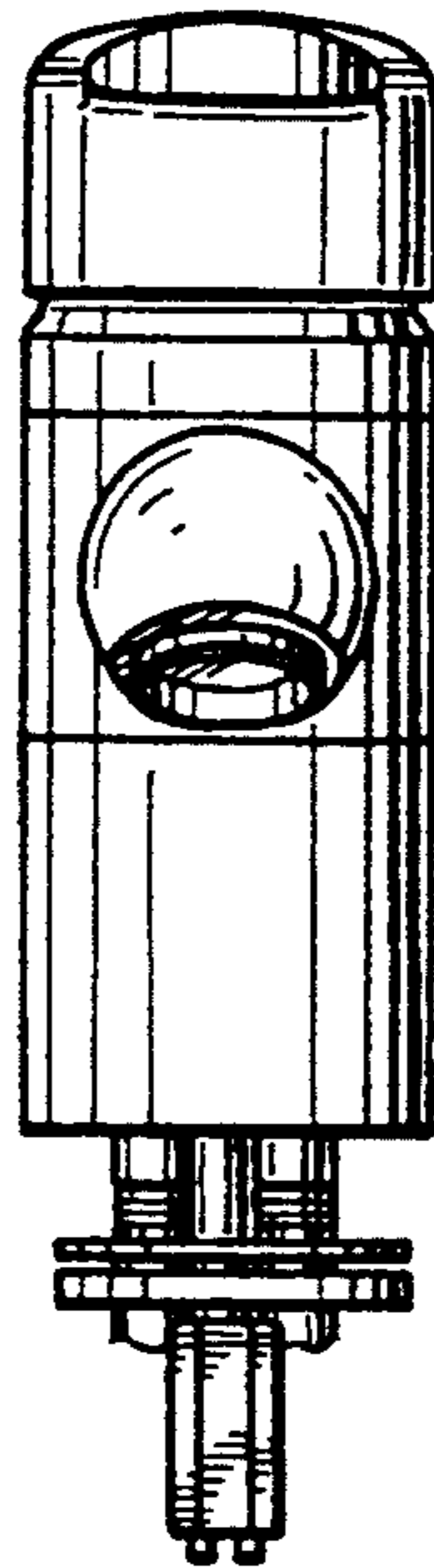


FIG. 2

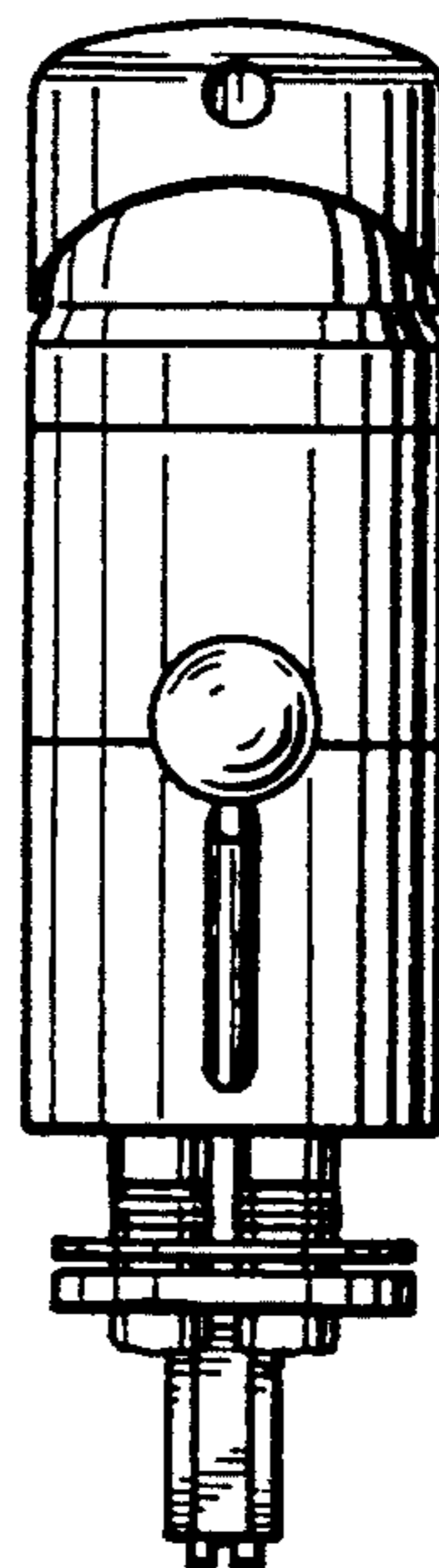


FIG. 3

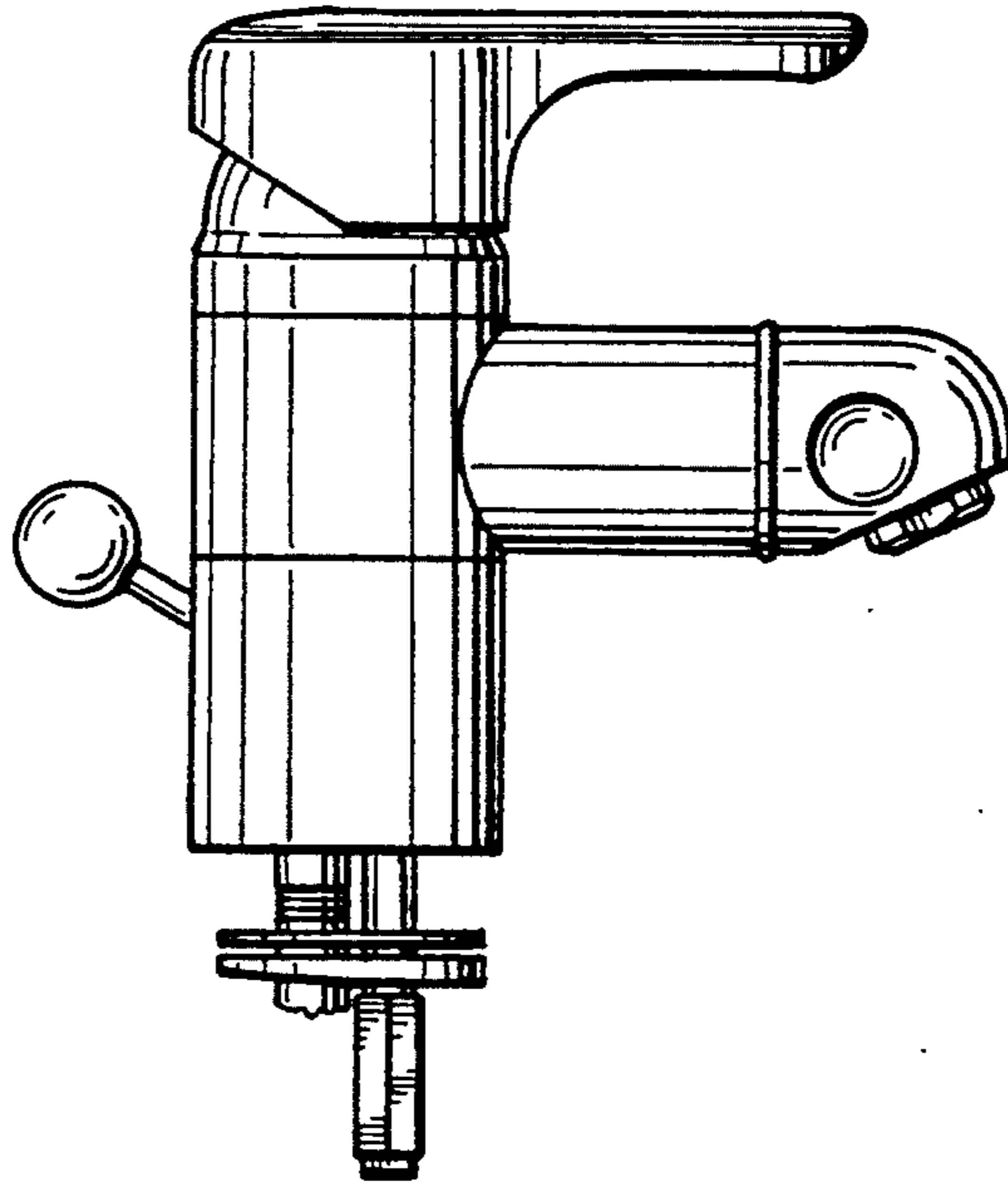


FIG. 4

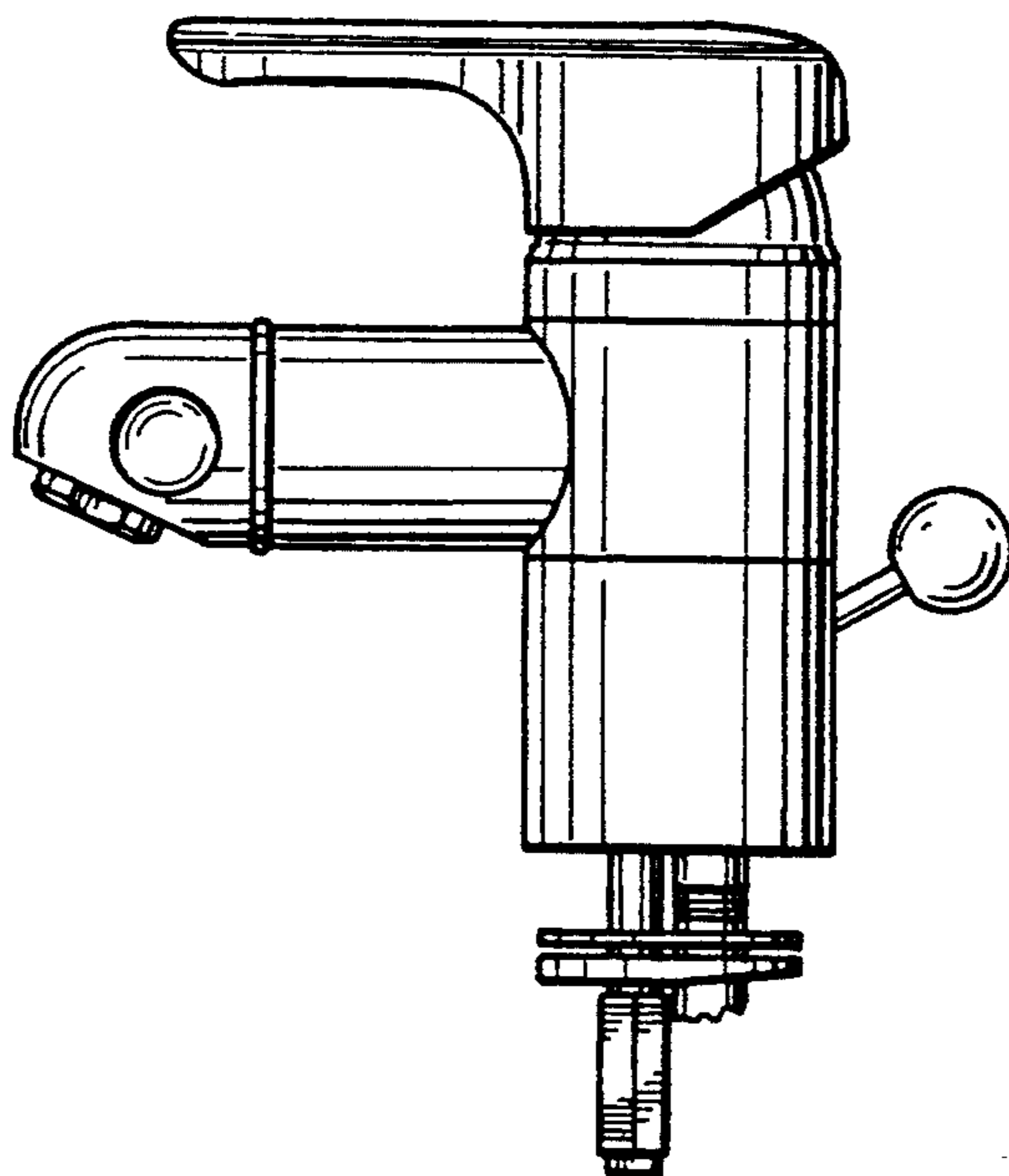


FIG. 5

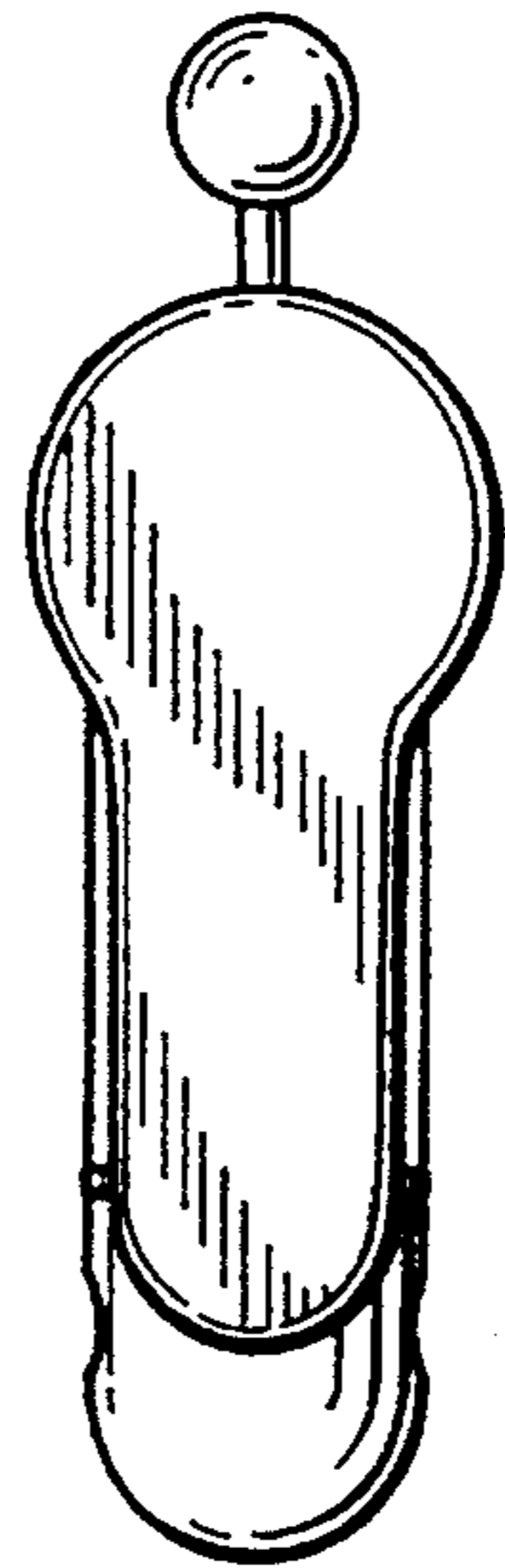


FIG. 6

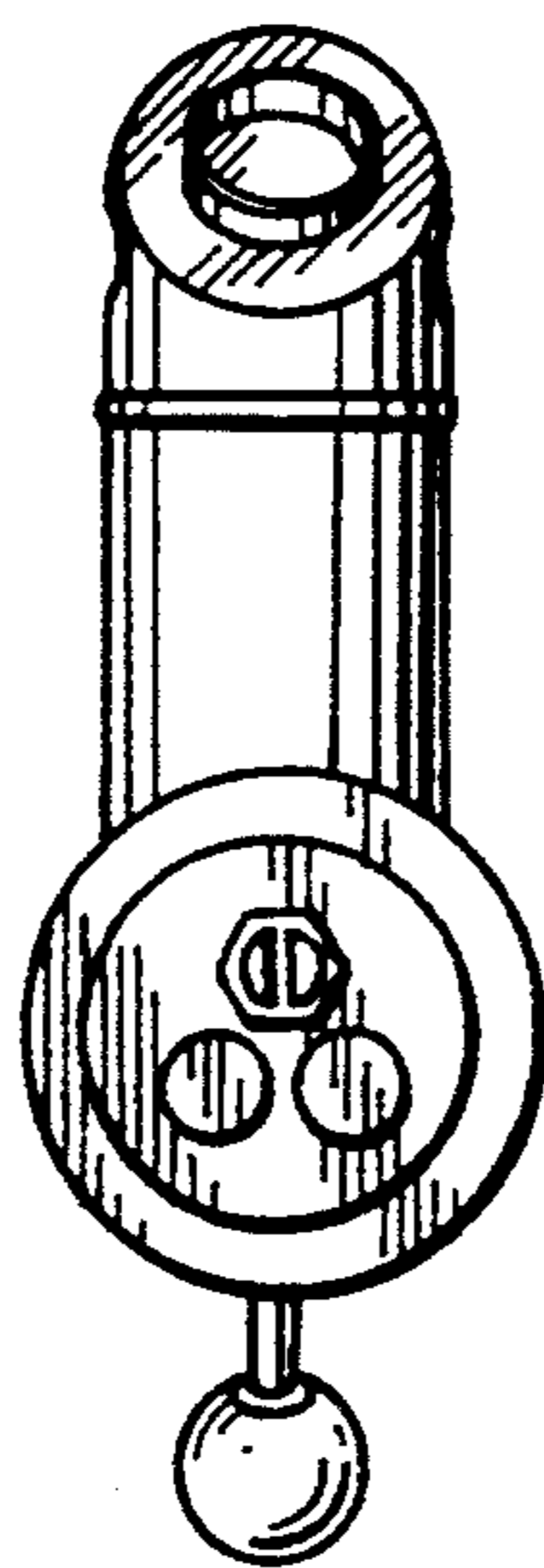


FIG. 7