



US00D355238S

United States Patent [19]

[11] Patent Number: **Des. 355,238**

Asano

[45] Date of Patent: **** Feb. 7, 1995**

[54] **REEL FOR FISHING**
 [75] Inventor: **Shin-ichi Asano, Musashino, Japan**
 [73] Assignee: **Daiwa Seiko, Inc., Tokyo, Japan**
 [**] Term: **14 Years**
 [21] Appl. No.: **839,440**
 [22] Filed: **Feb. 24, 1992**
 [30] **Foreign Application Priority Data**
 Aug. 27, 1991 [JP] Japan 3-25629
 Aug. 27, 1991 [JP] Japan 3-25630
 Sep. 24, 1991 [JP] Japan 3-28665
 [52] U.S. Cl. **D22/140**
 [58] Field of Search **D22/140, 141; 242/234, 242/235, 236, 237, 239**

[56] **References Cited**
U.S. PATENT DOCUMENTS
 D. 307,621 5/1990 Peterson D22/140
 D. 311,764 10/1990 Peterson D22/141
 D. 315,390 3/1991 Peterson D22/141

Primary Examiner—A. Hugo Word
Assistant Examiner—Doris V. Coles
Attorney, Agent, or Firm—Bacon & Thomas

[57] **CLAIM**
 The ornamental design for a reel for fishing, as shown.

DESCRIPTION

FIG. 1 is a front elevational view thereof;
 FIG. 2 is a top plan view thereof;
 FIG. 3 is a left side elevational view thereof;
 FIG. 4 is a bottom plan view thereof;
 FIG. 5 is a right side elevational view thereof;
 FIG. 6 is a rear elevational view thereof;

FIG. 7 is a top, rear and right side perspective view thereof;
 FIG. 8 is a top, front and left side perspective view thereof;
 FIG. 9 is a front, bottom and right side perspective view thereof;
 FIG. 10 is a bottom, rear and left side perspective view thereof;
 FIG. 11 is a front elevational view of a second embodiment thereof;
 FIG. 12 is a top plan view thereof;
 FIG. 13 is a left side elevational view thereof;
 FIG. 14 is a bottom plan view thereof;
 FIG. 15 is a right side elevational view thereof;
 FIG. 16 is a rear elevational view thereof;
 FIG. 17 is a top, rear and right side perspective view thereof;
 FIG. 18 is a top, front and right side perspective view thereof;
 FIG. 19 is front, bottom and right side perspective view thereof;
 FIG. 20 is a bottom, rear and right side perspective view thereof;
 FIG. 21 is a front elevational view of a third embodiment thereof;
 FIG. 22 is a top plan view thereof;
 FIG. 23 is a left side elevational view thereof;
 FIG. 24 is a bottom plan view thereof;
 FIG. 25 is a right side elevational view thereof;
 FIG. 26 is a rear elevational view thereof;
 FIG. 27 is a top, rear and right side perspective view thereof;
 FIG. 28 is a top, front and left side perspective view thereof;
 FIG. 29 is a front, bottom and right side perspective view thereof; and,
 FIG. 30 is a bottom, rear and left side perspective view thereof.

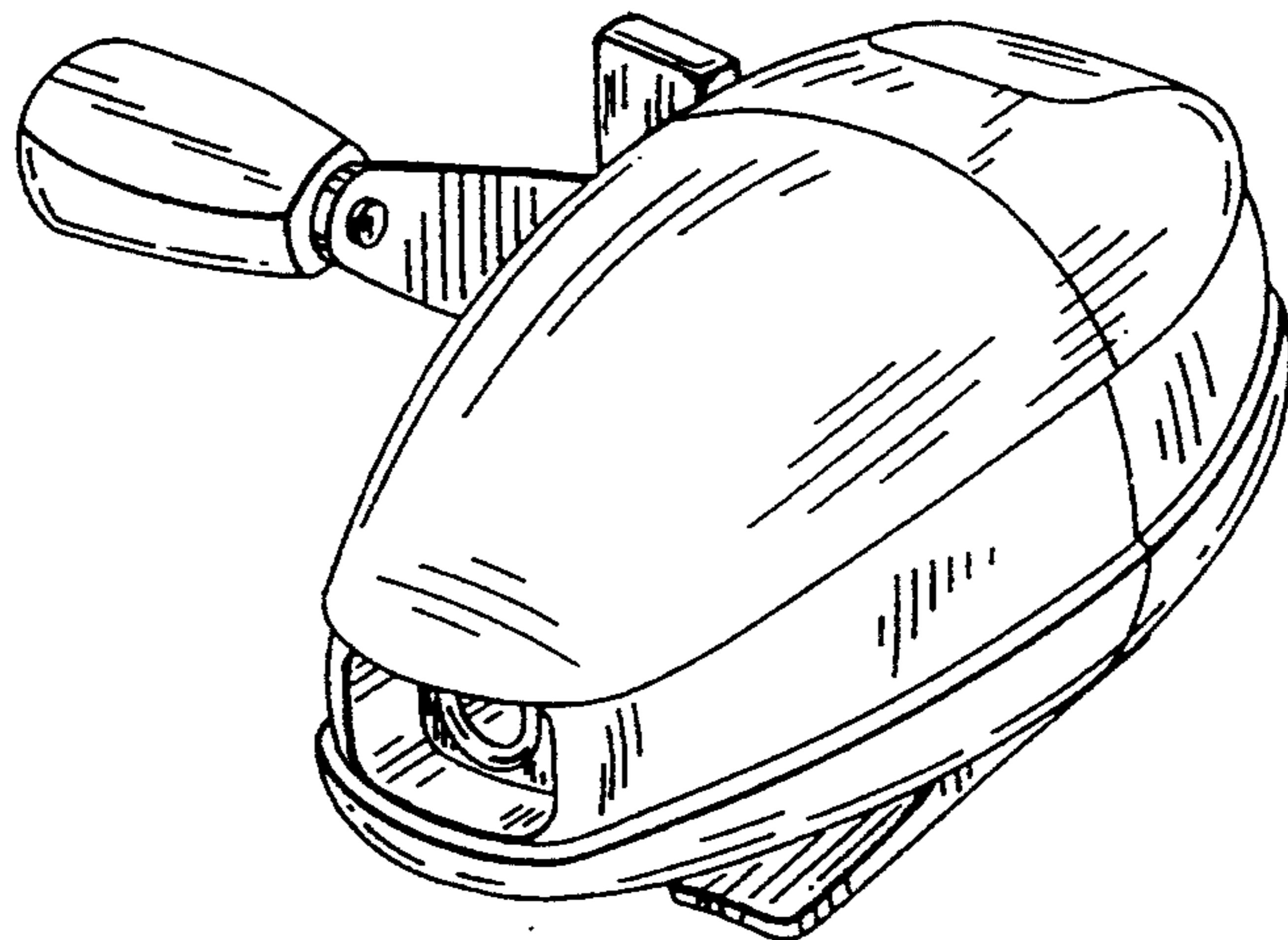


FIG. 1

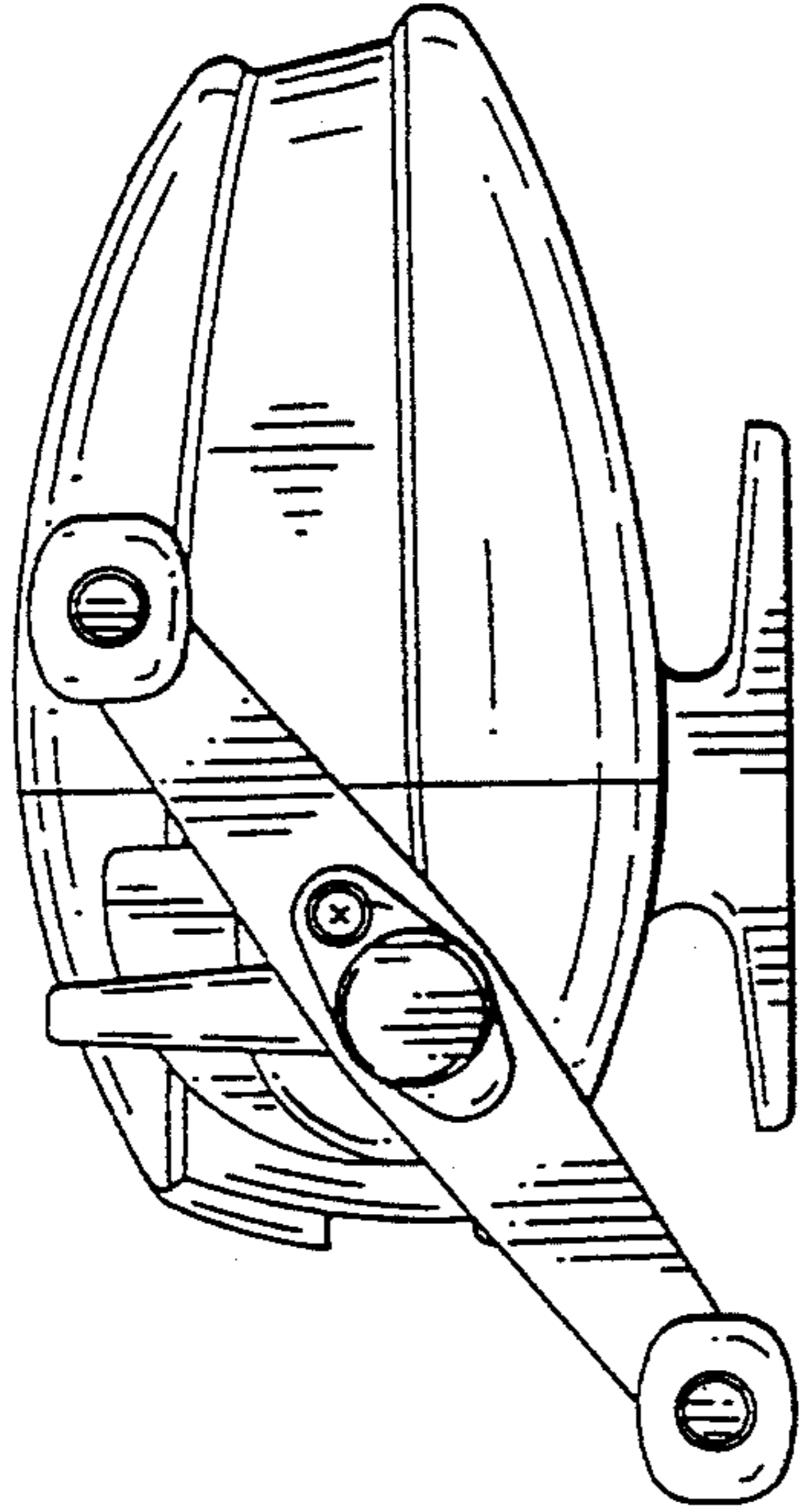


FIG. 2

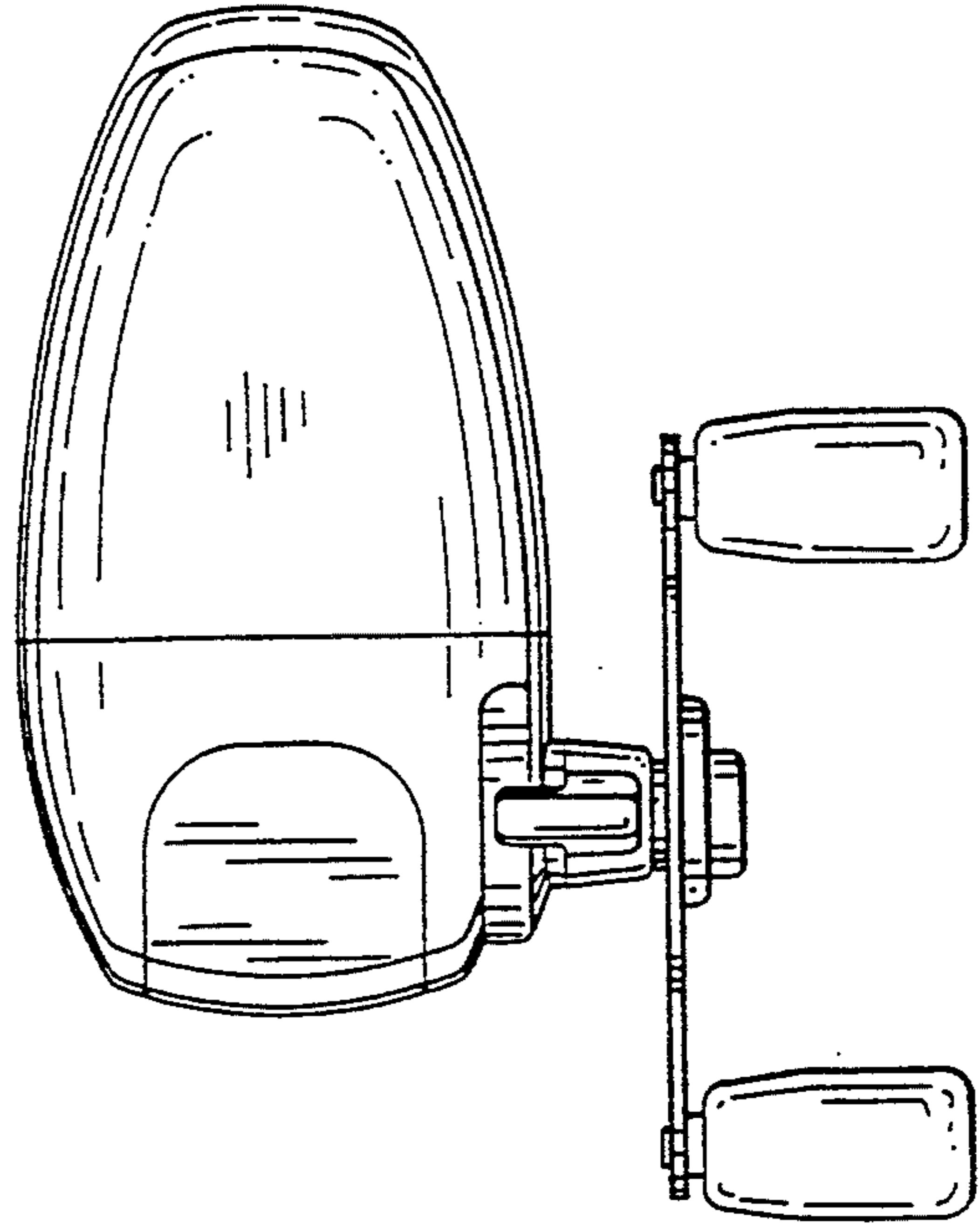


FIG. 3

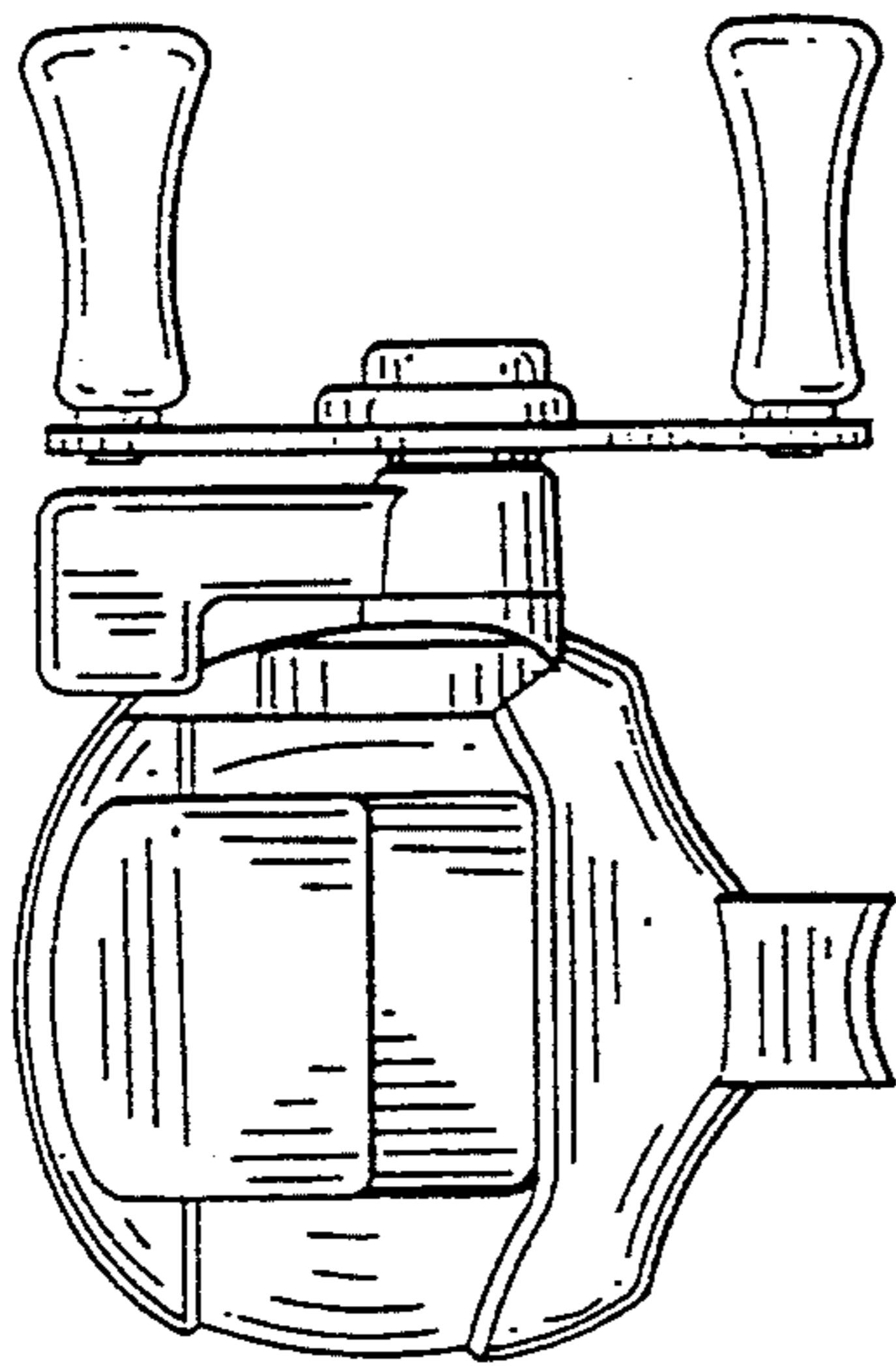


FIG. 4

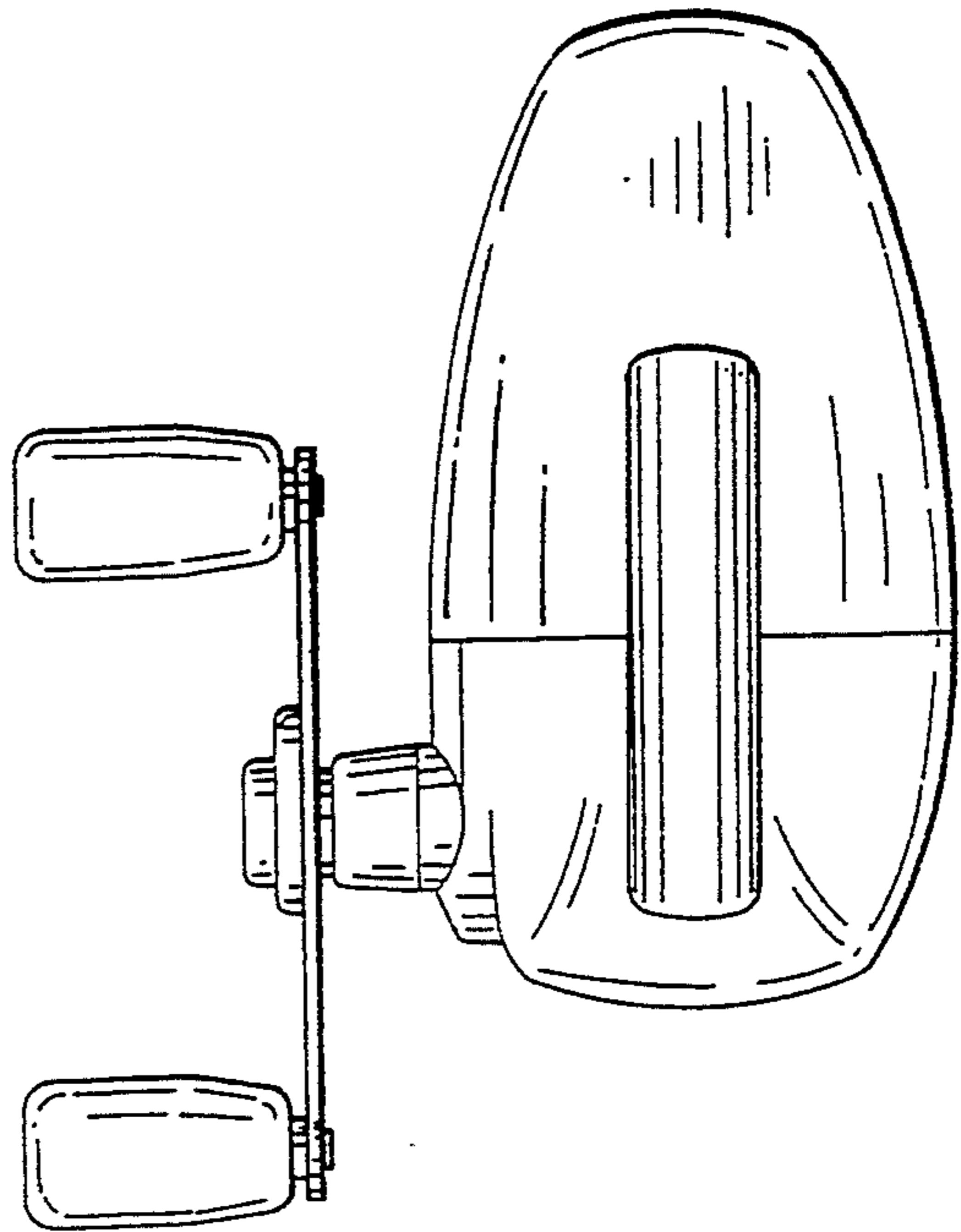


FIG. 7

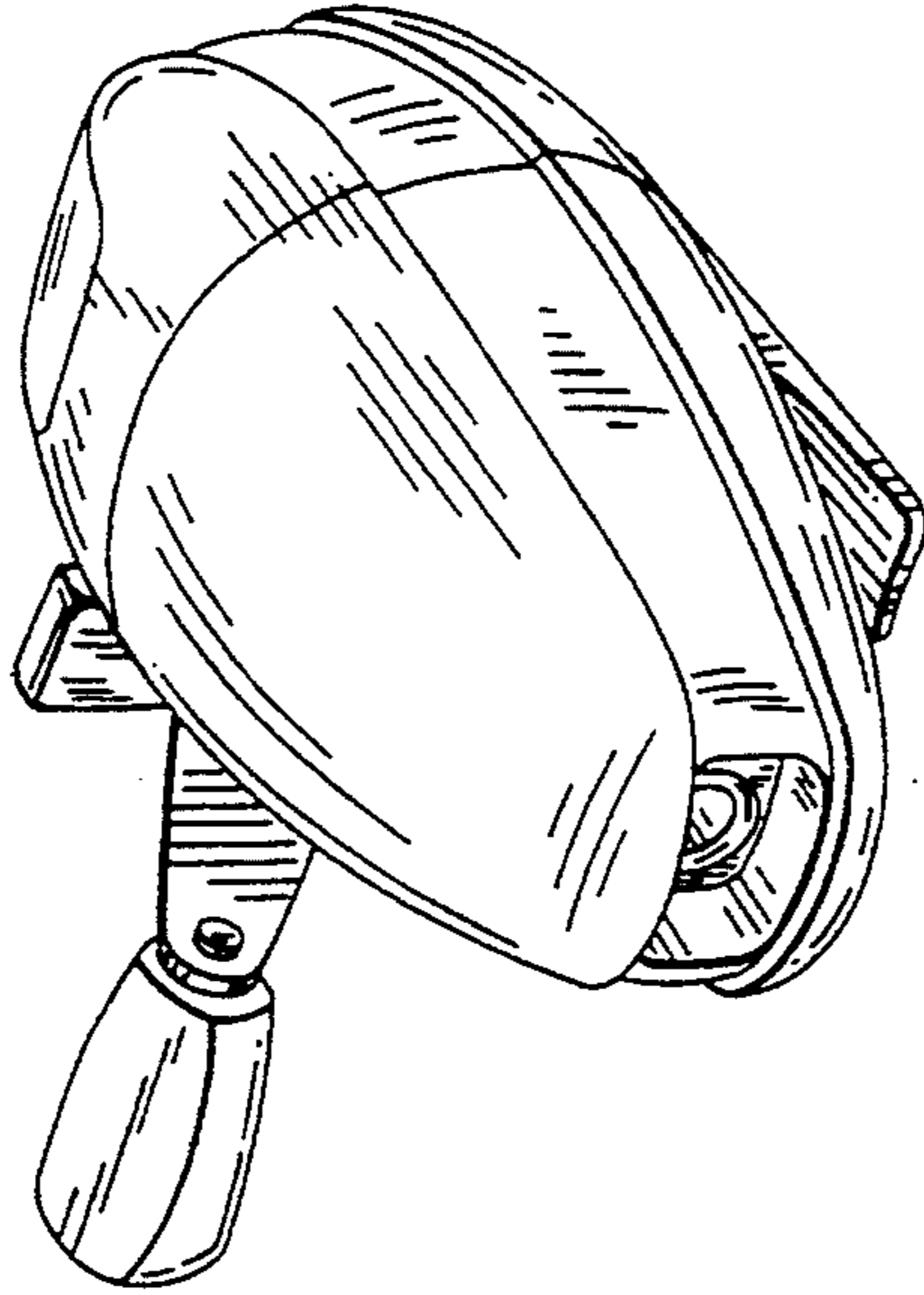


FIG. 5

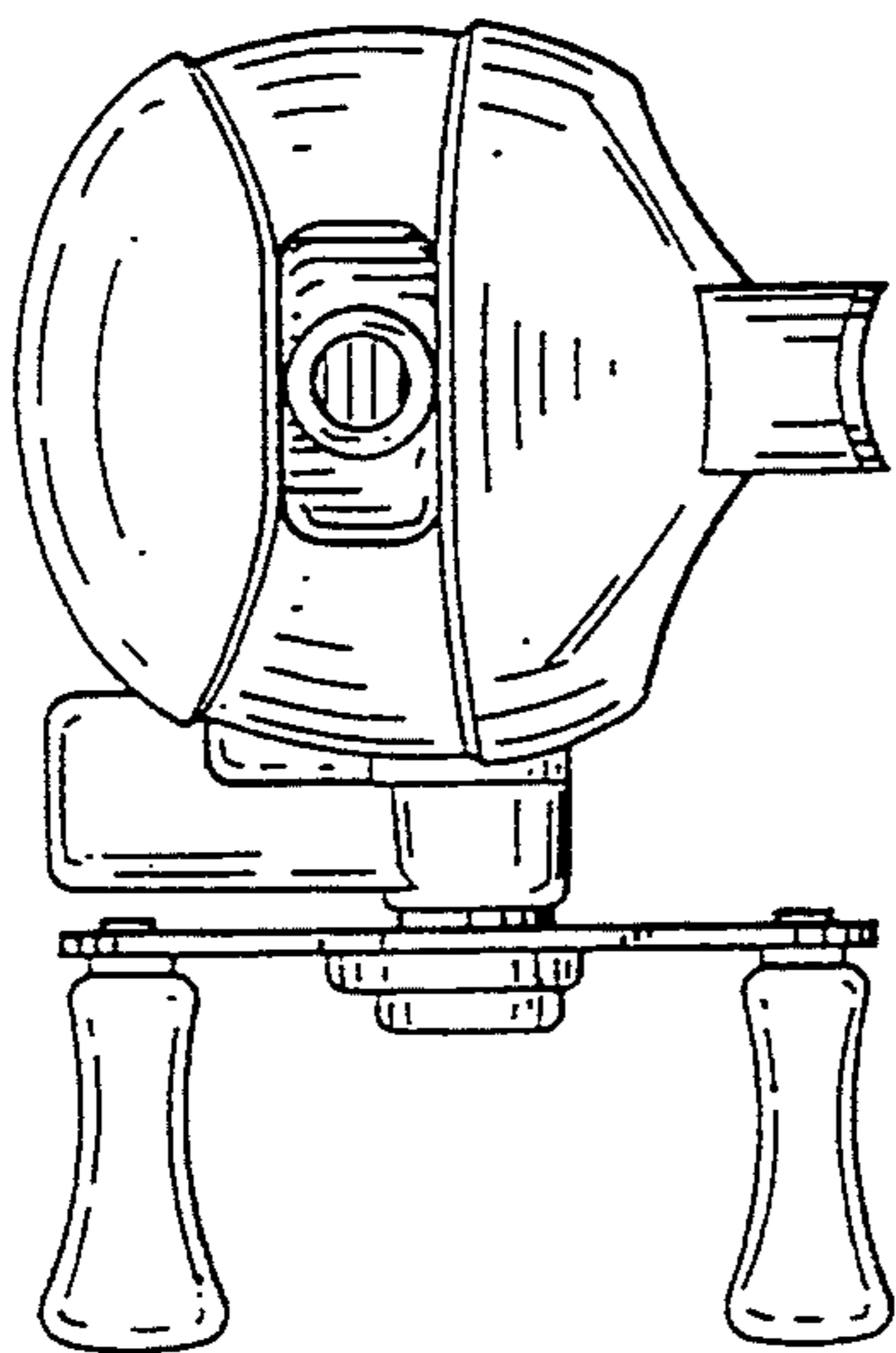


FIG. 6

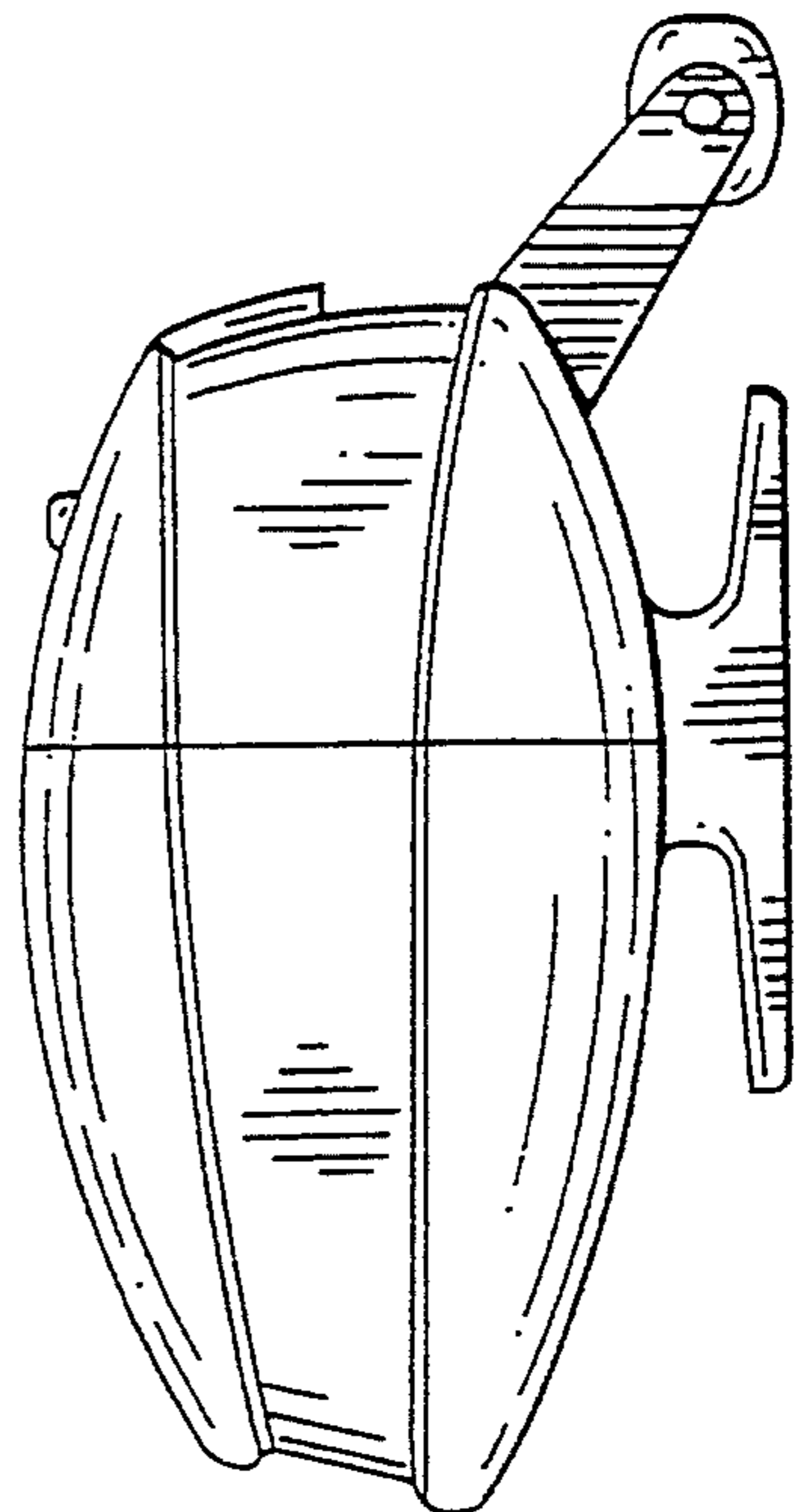


FIG. 9

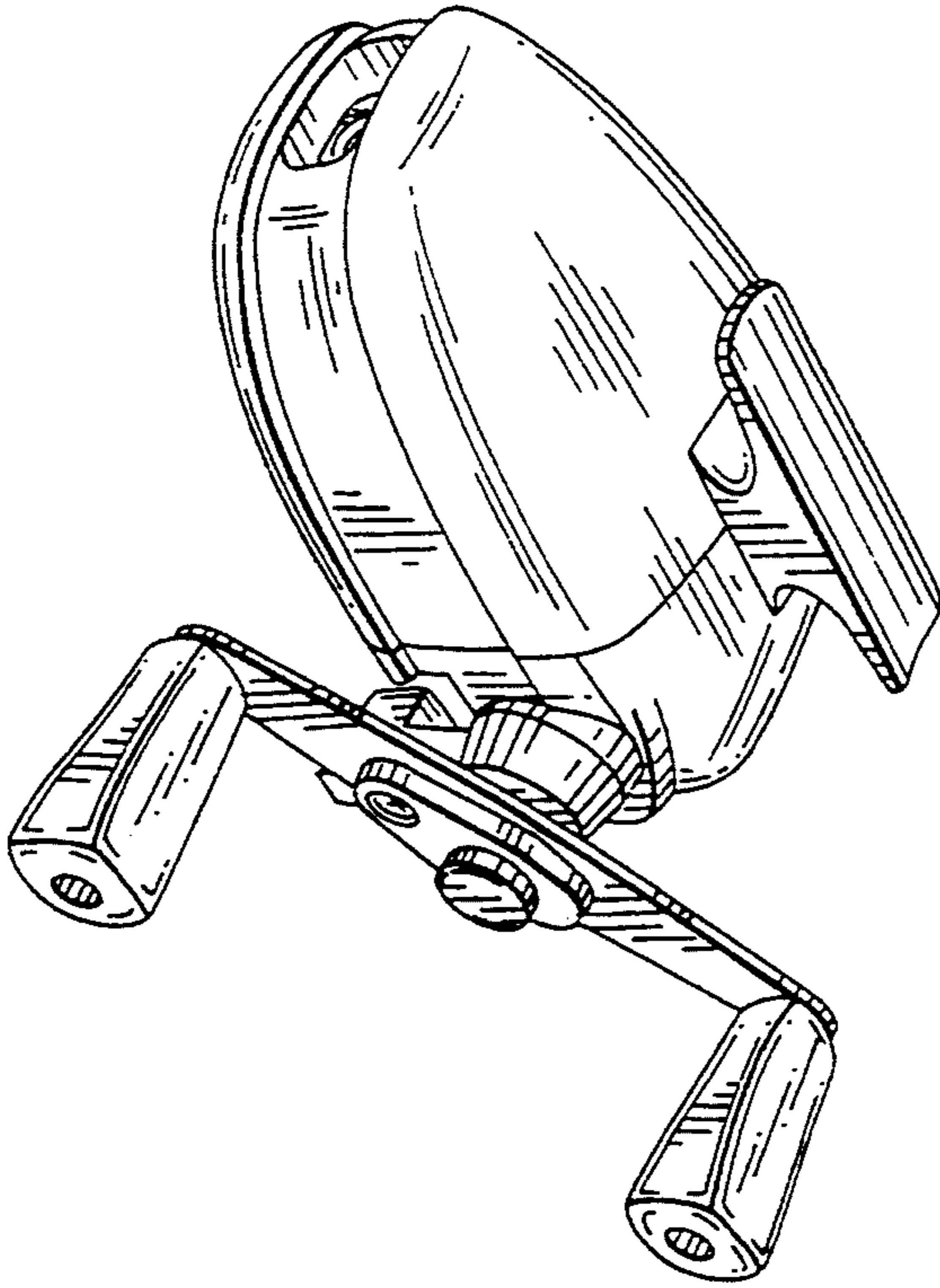


FIG. 8

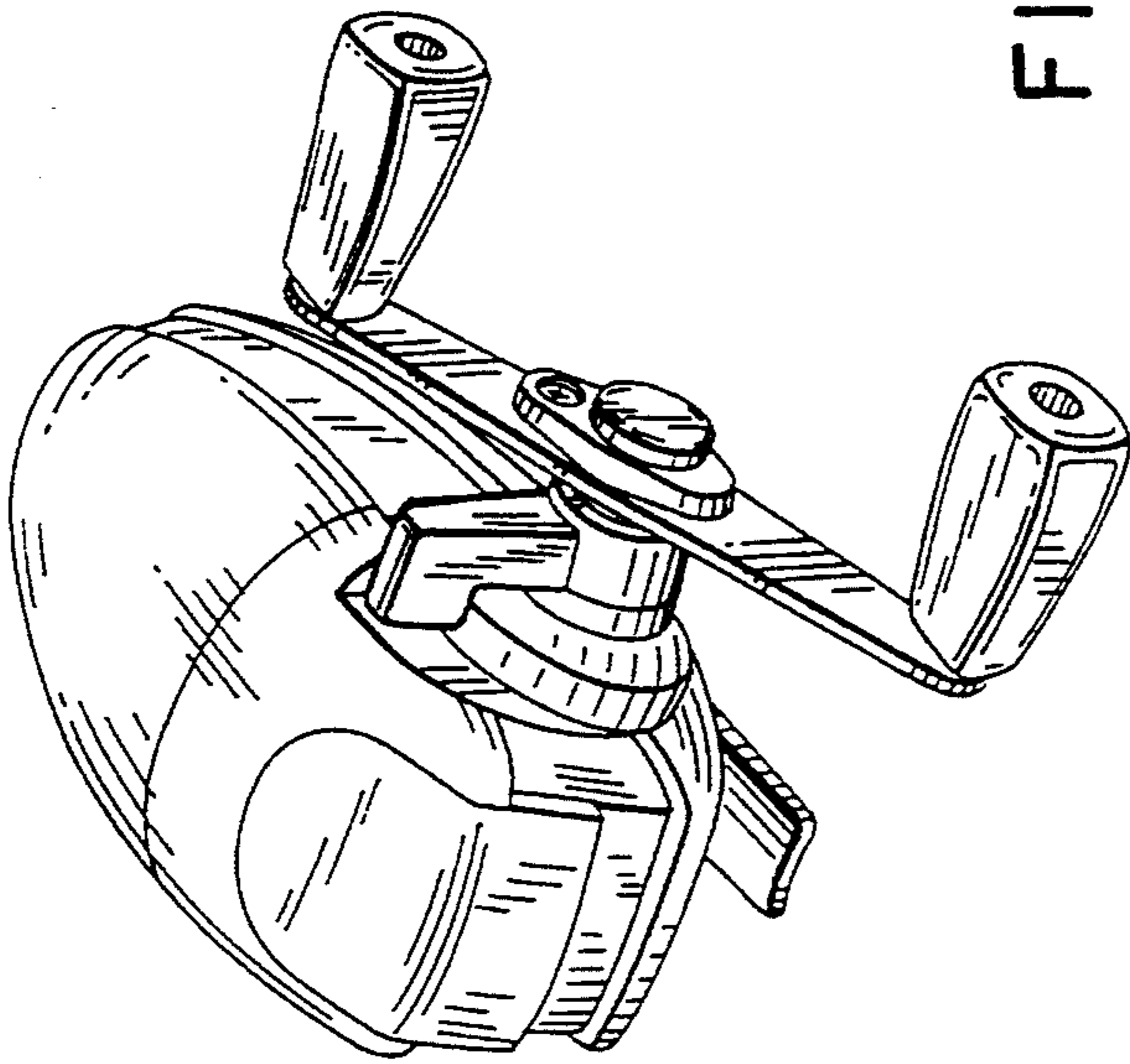


FIG. 10

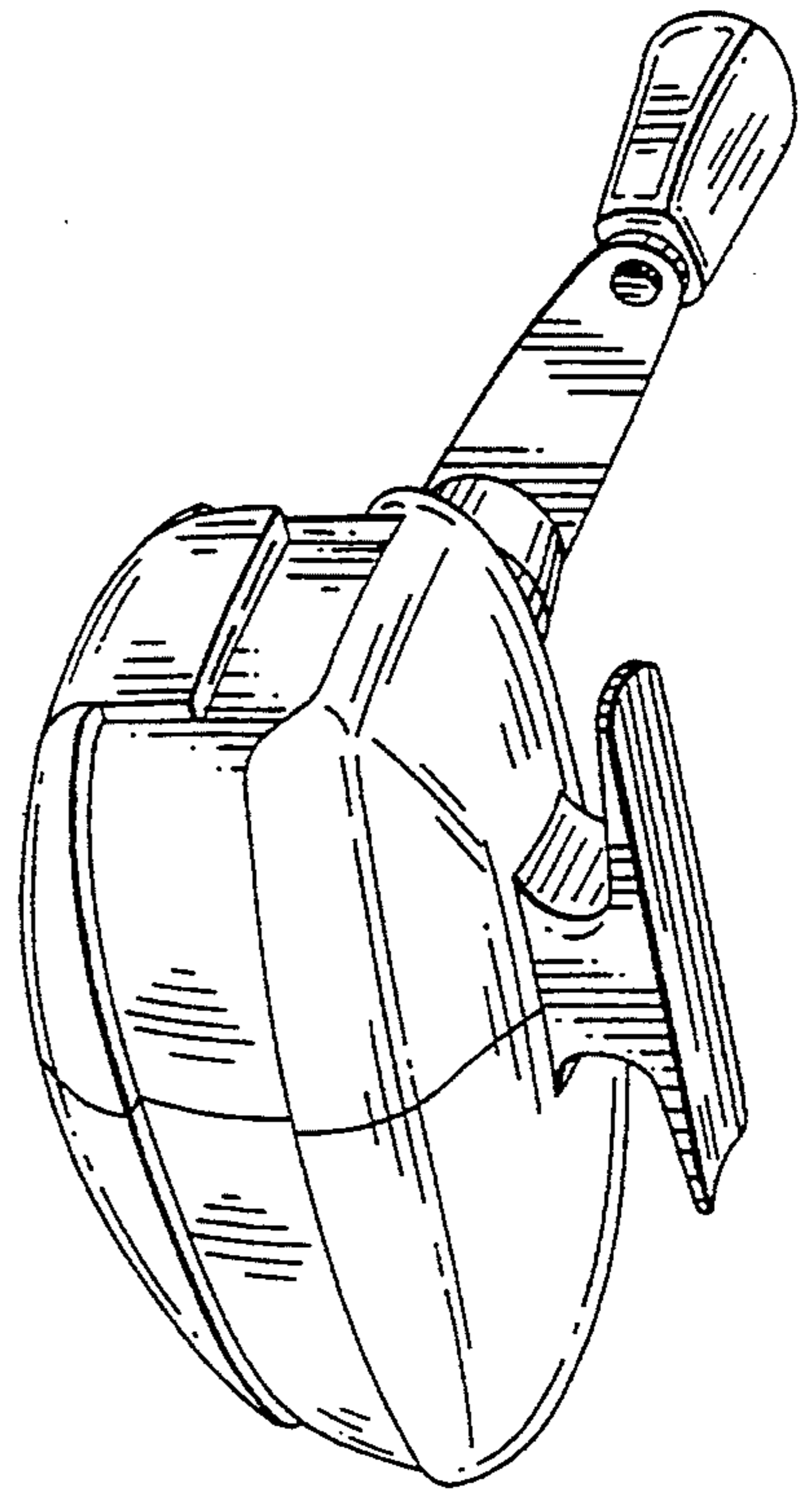


FIG. 11

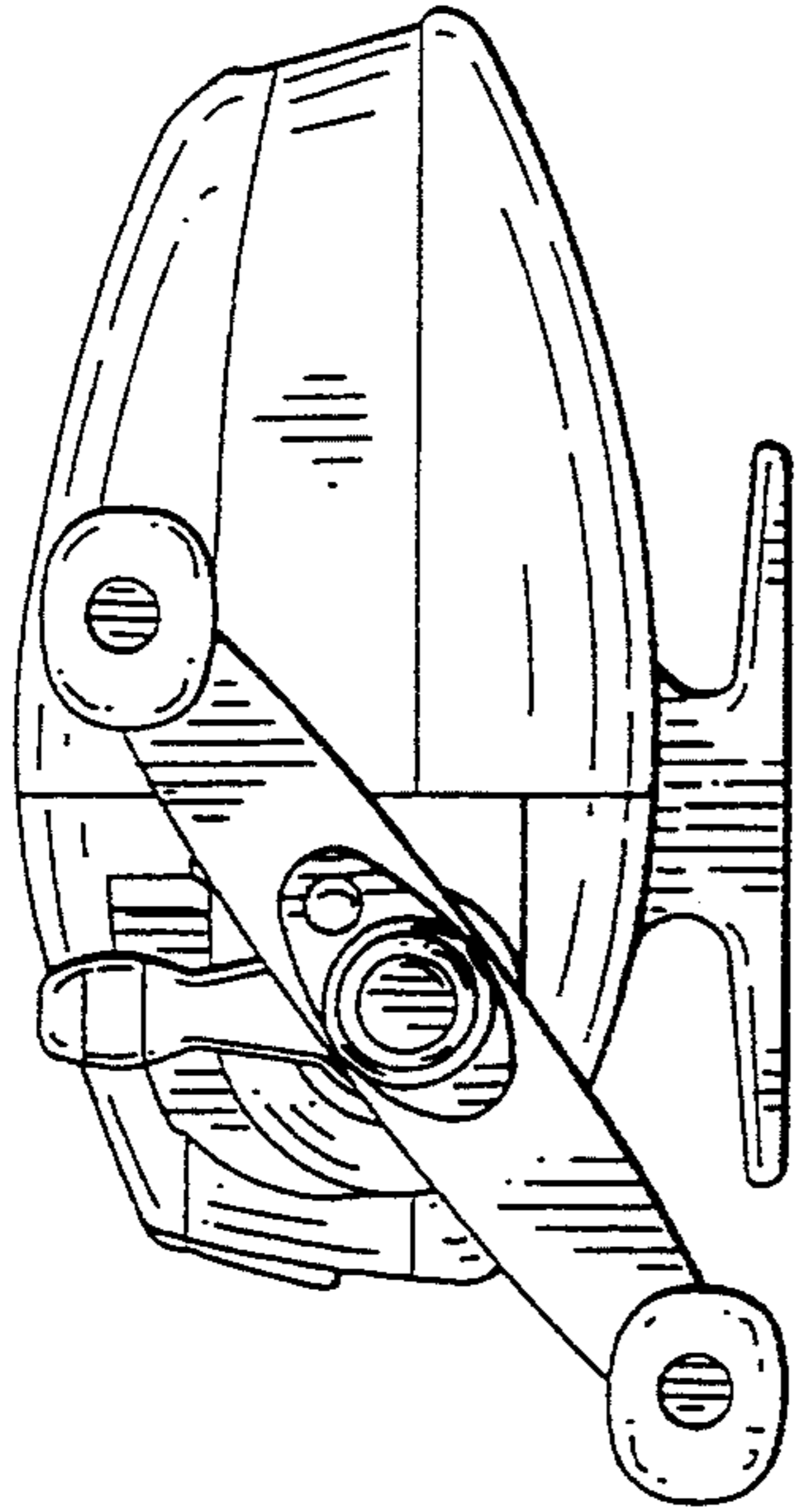


FIG. 12

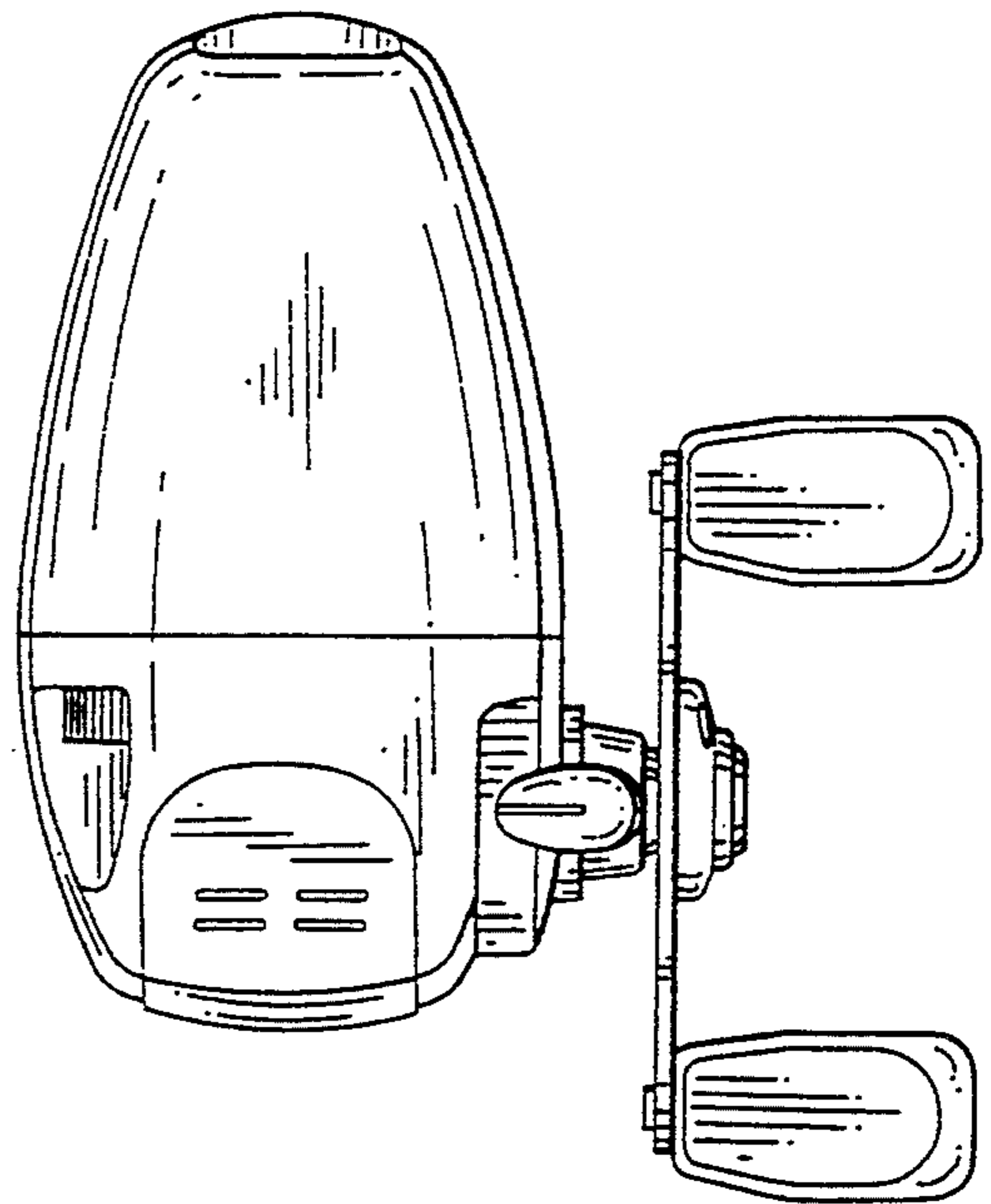


FIG. 13

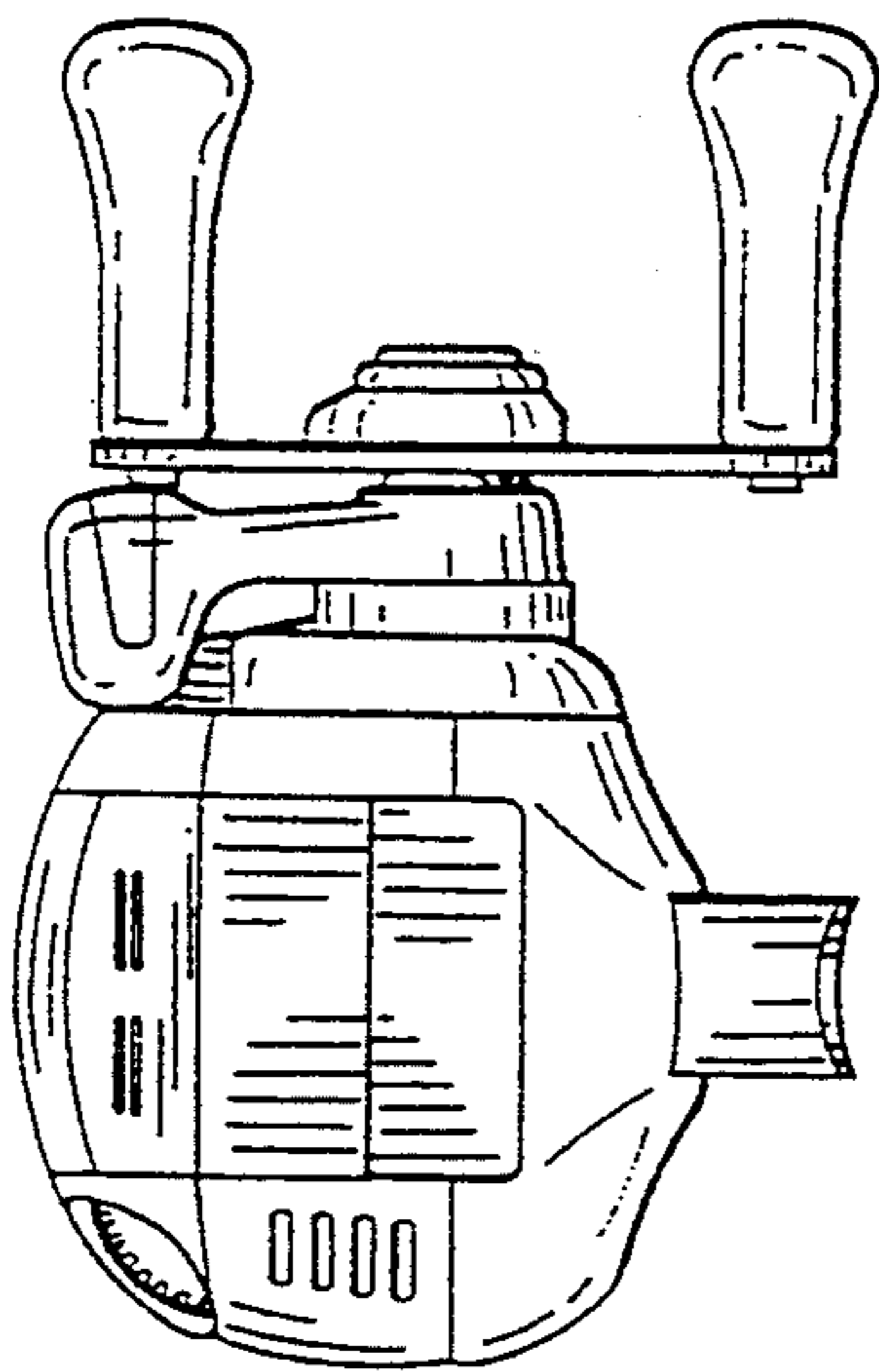


FIG. 14

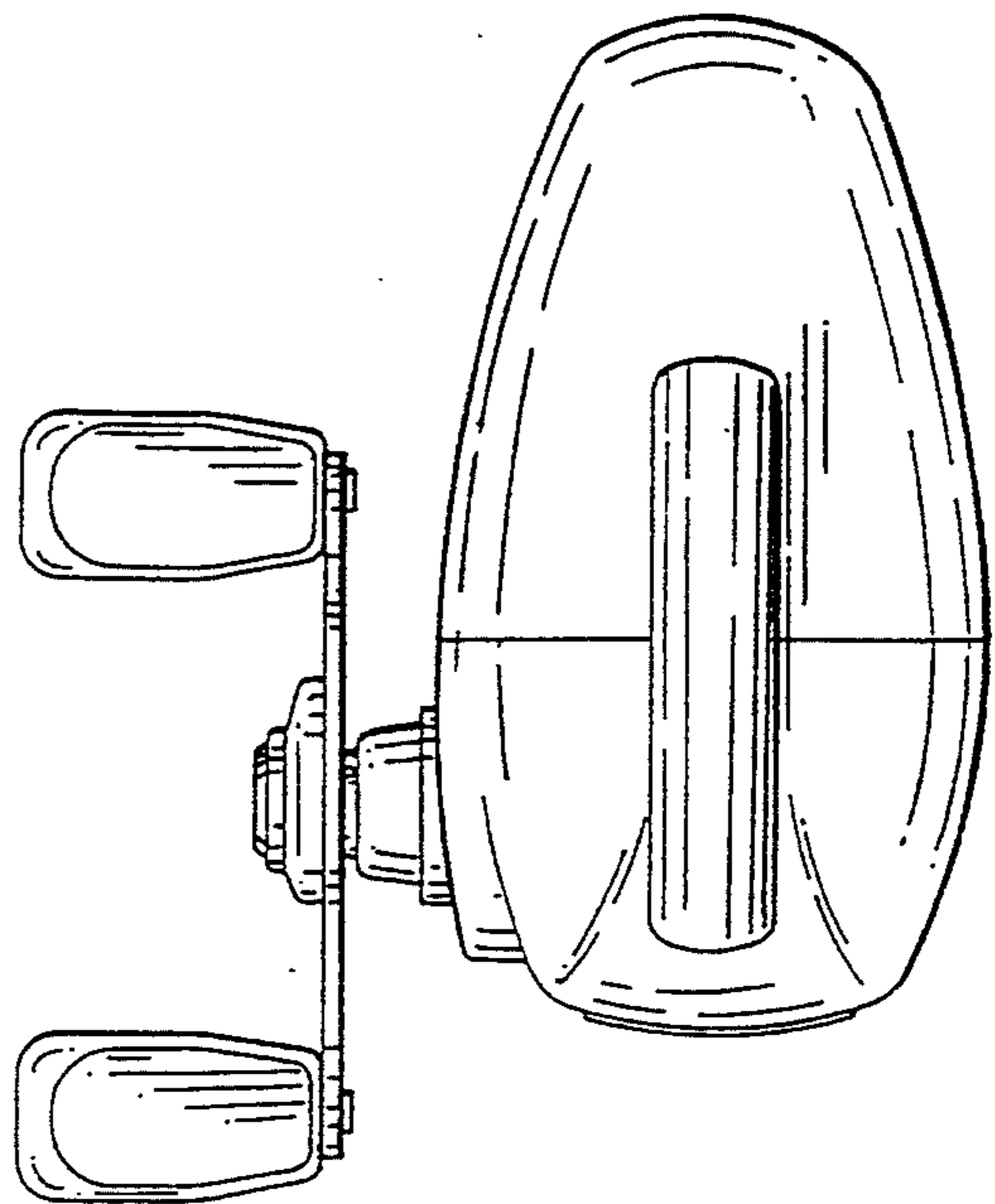


FIG. 15

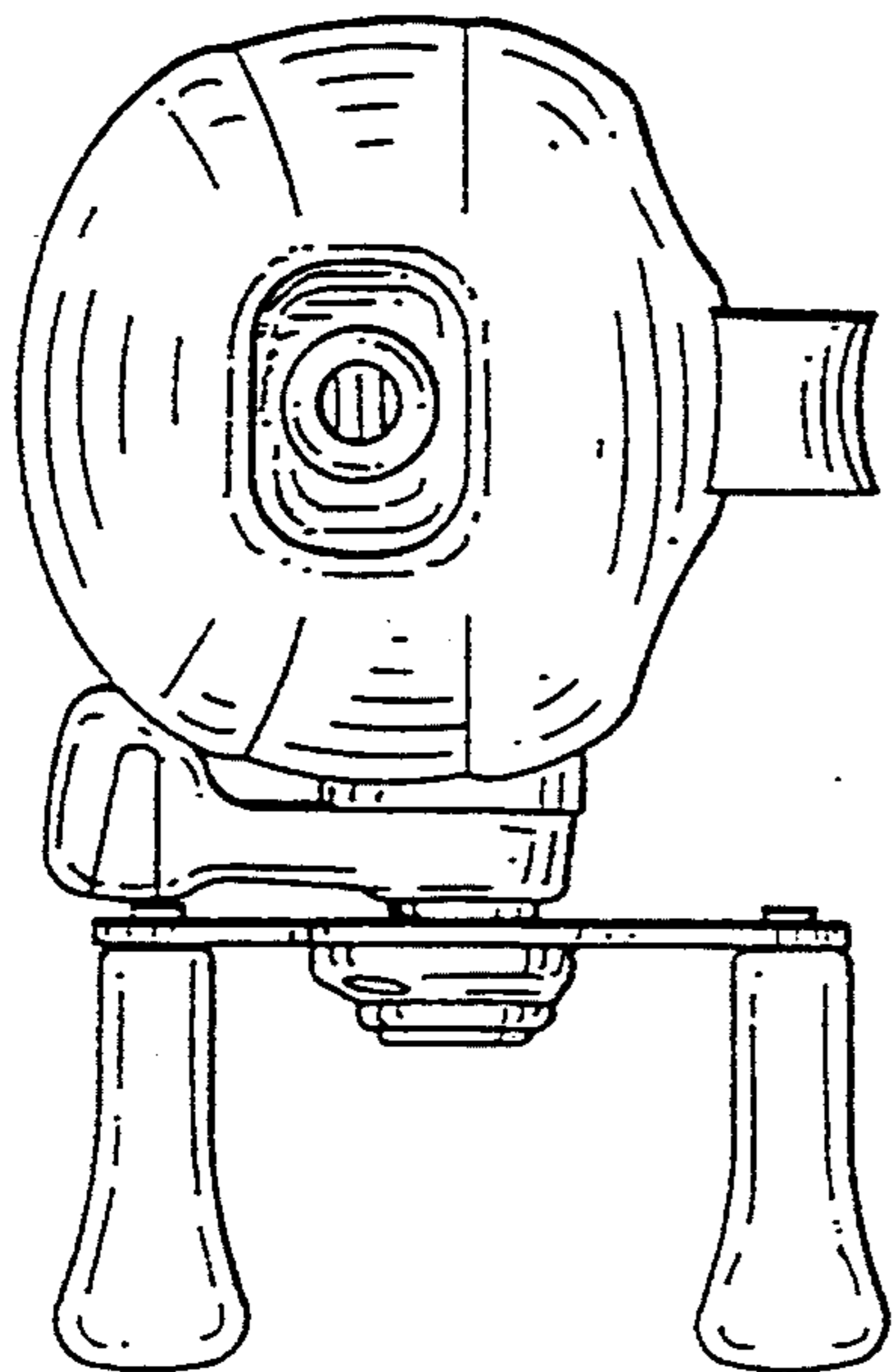


FIG. 16

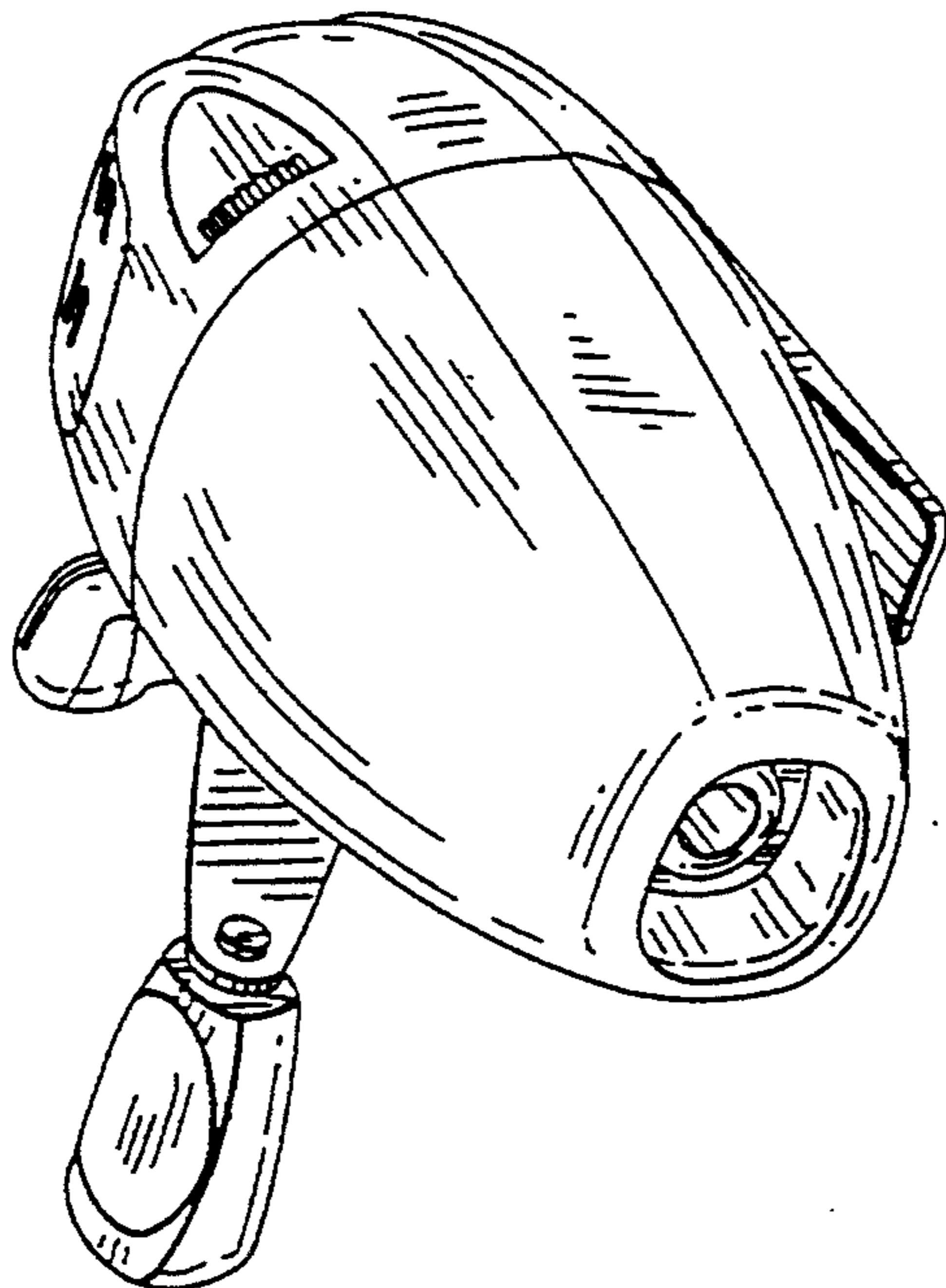
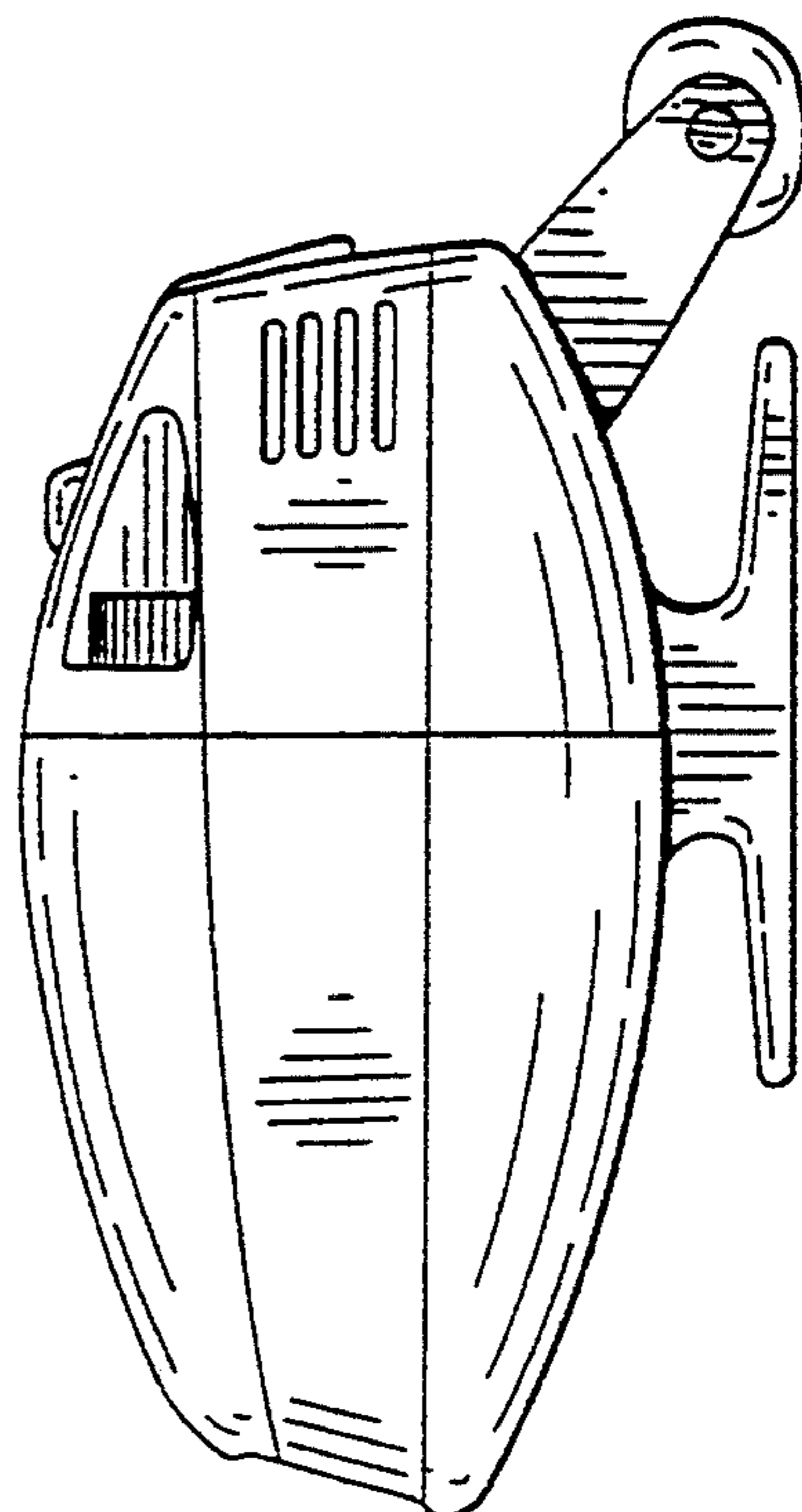


FIG. 17

FIG. 18

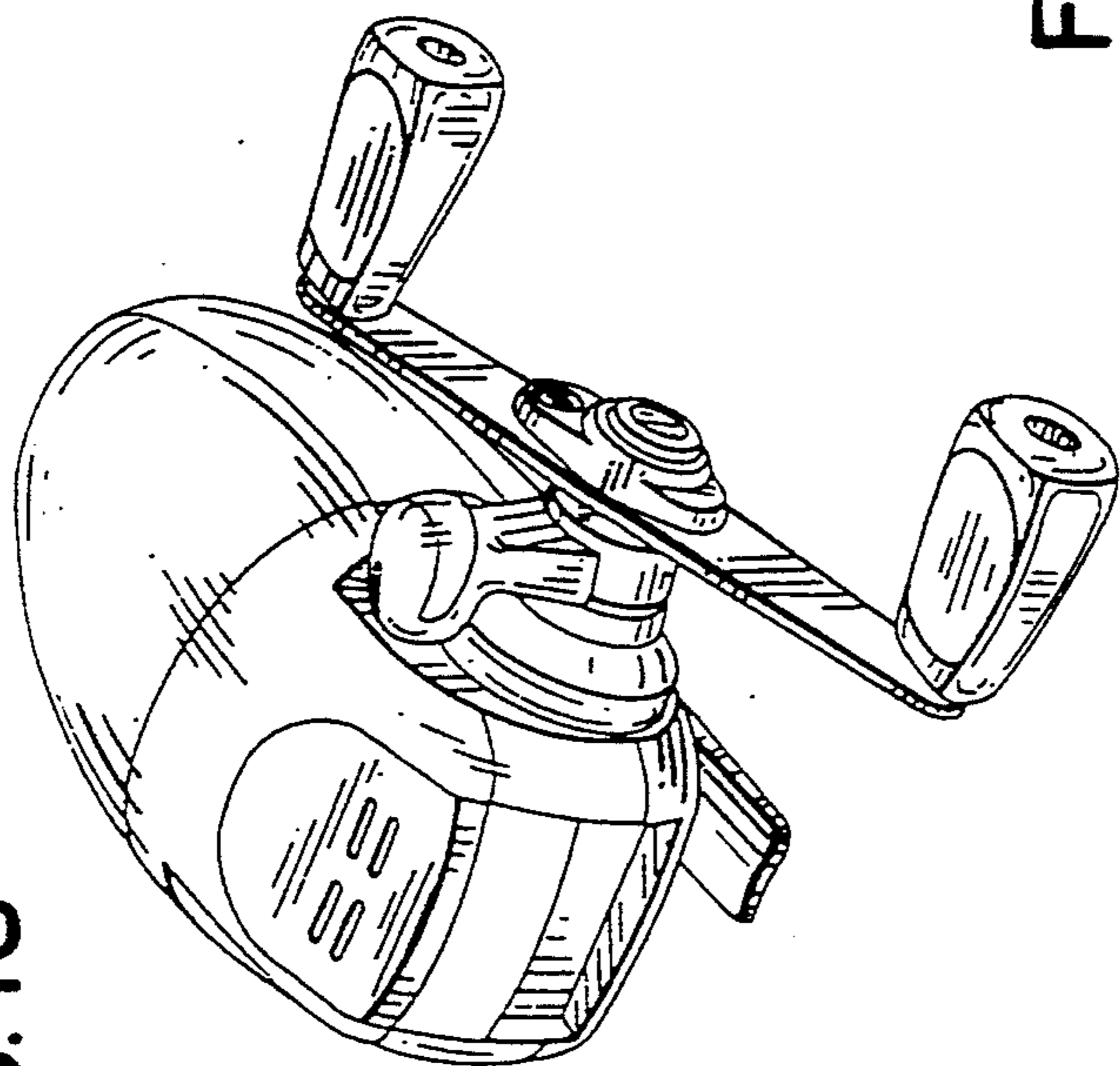


FIG. 19

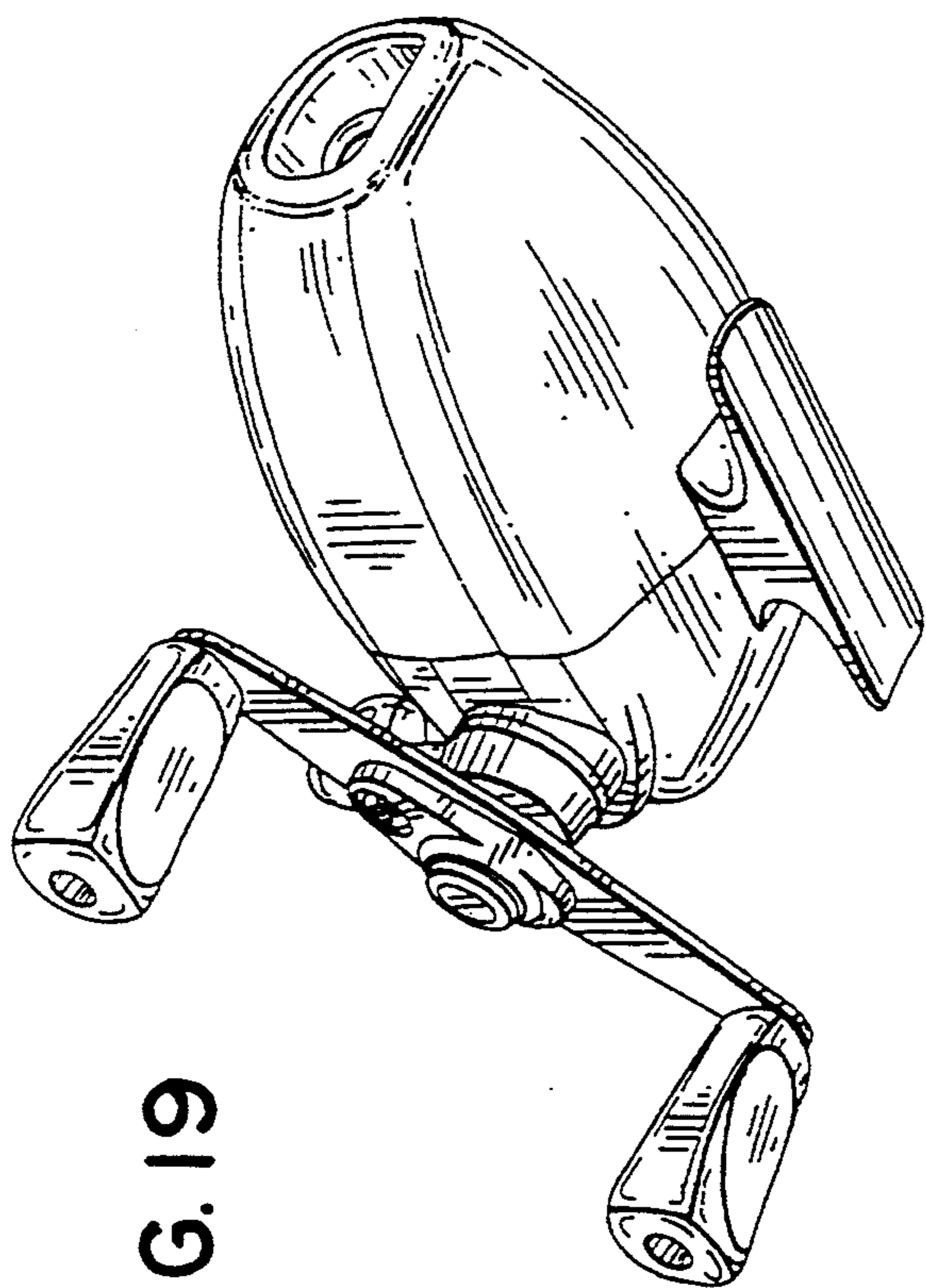


FIG. 20

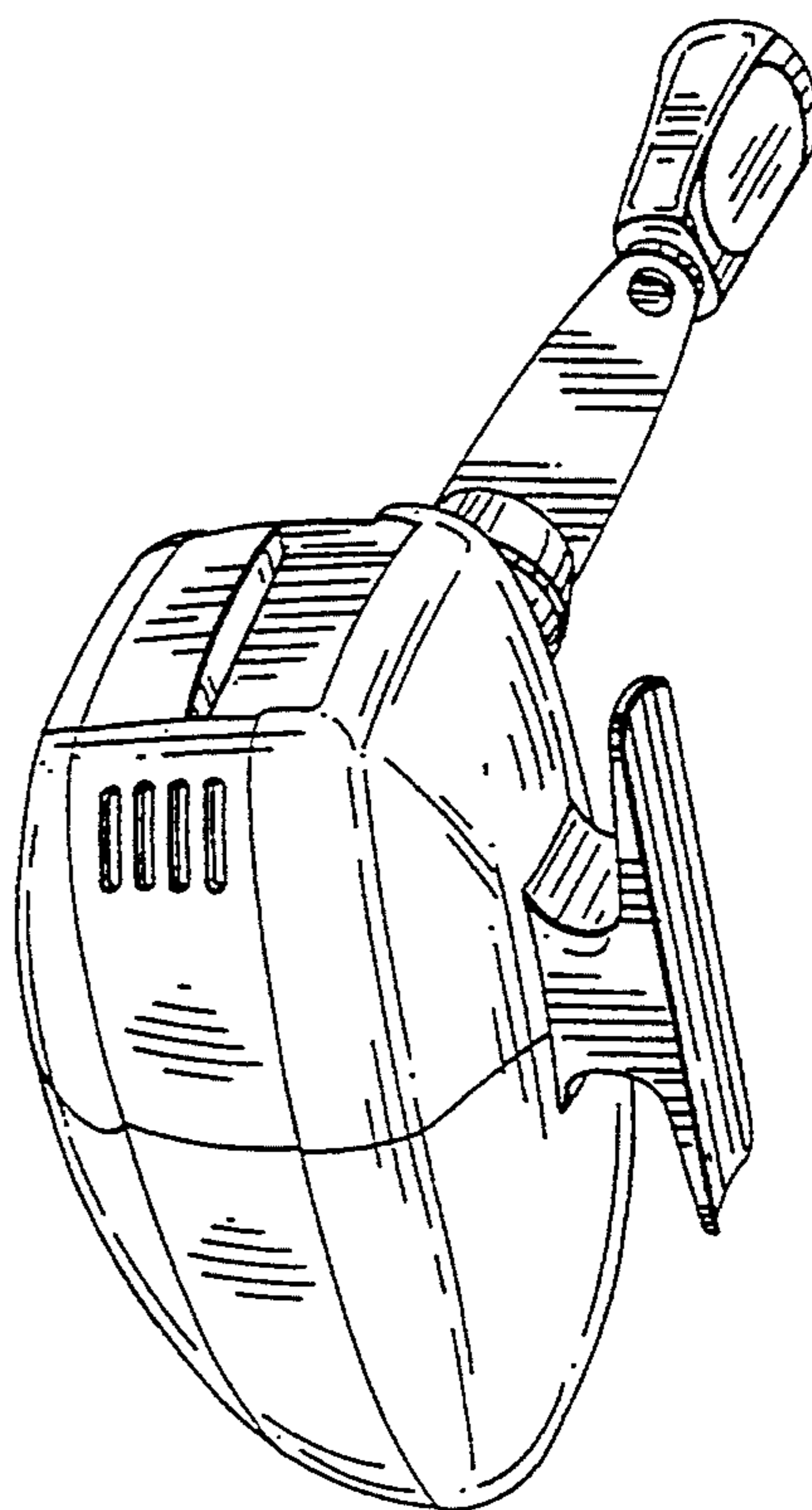


FIG. 21

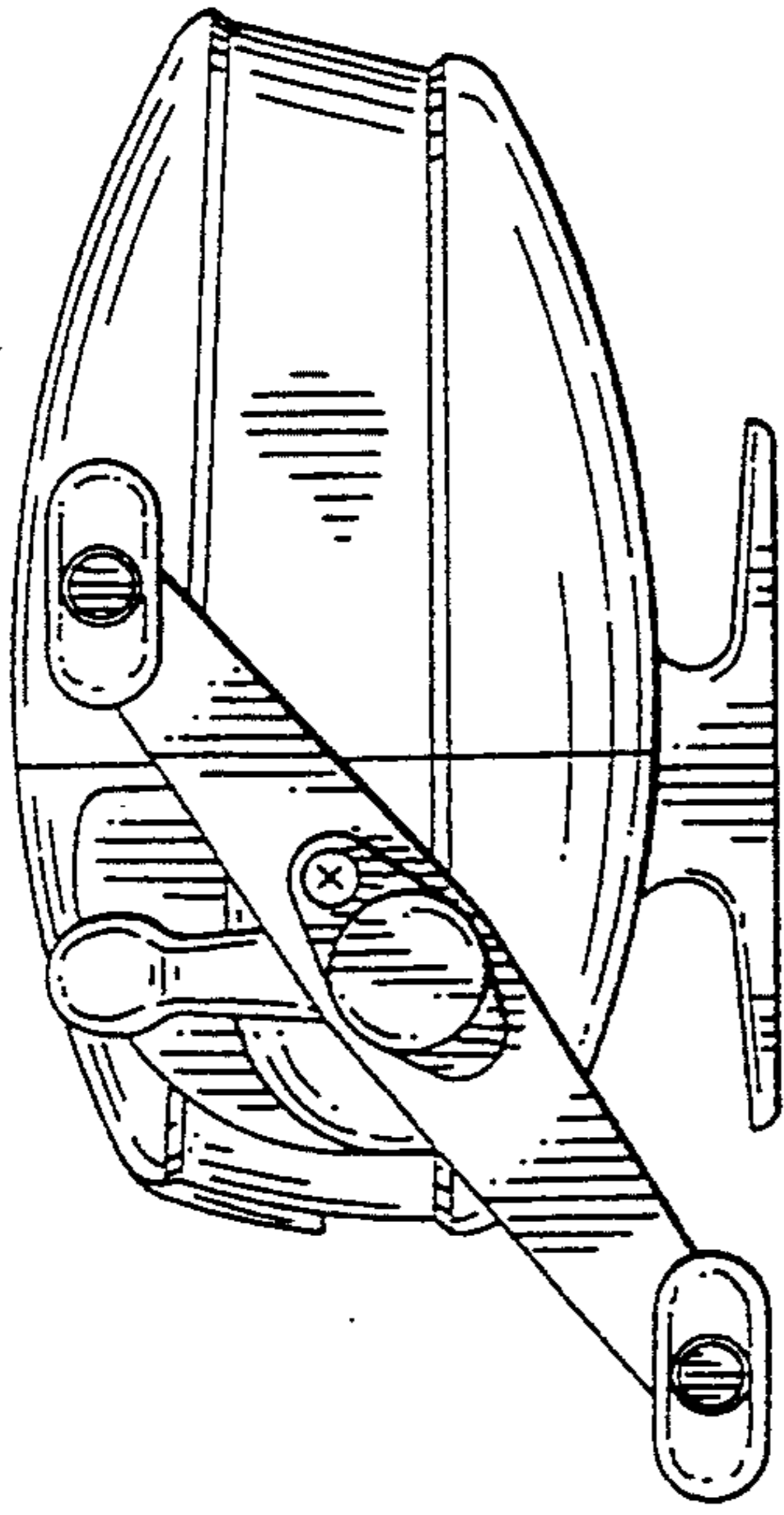


FIG. 22

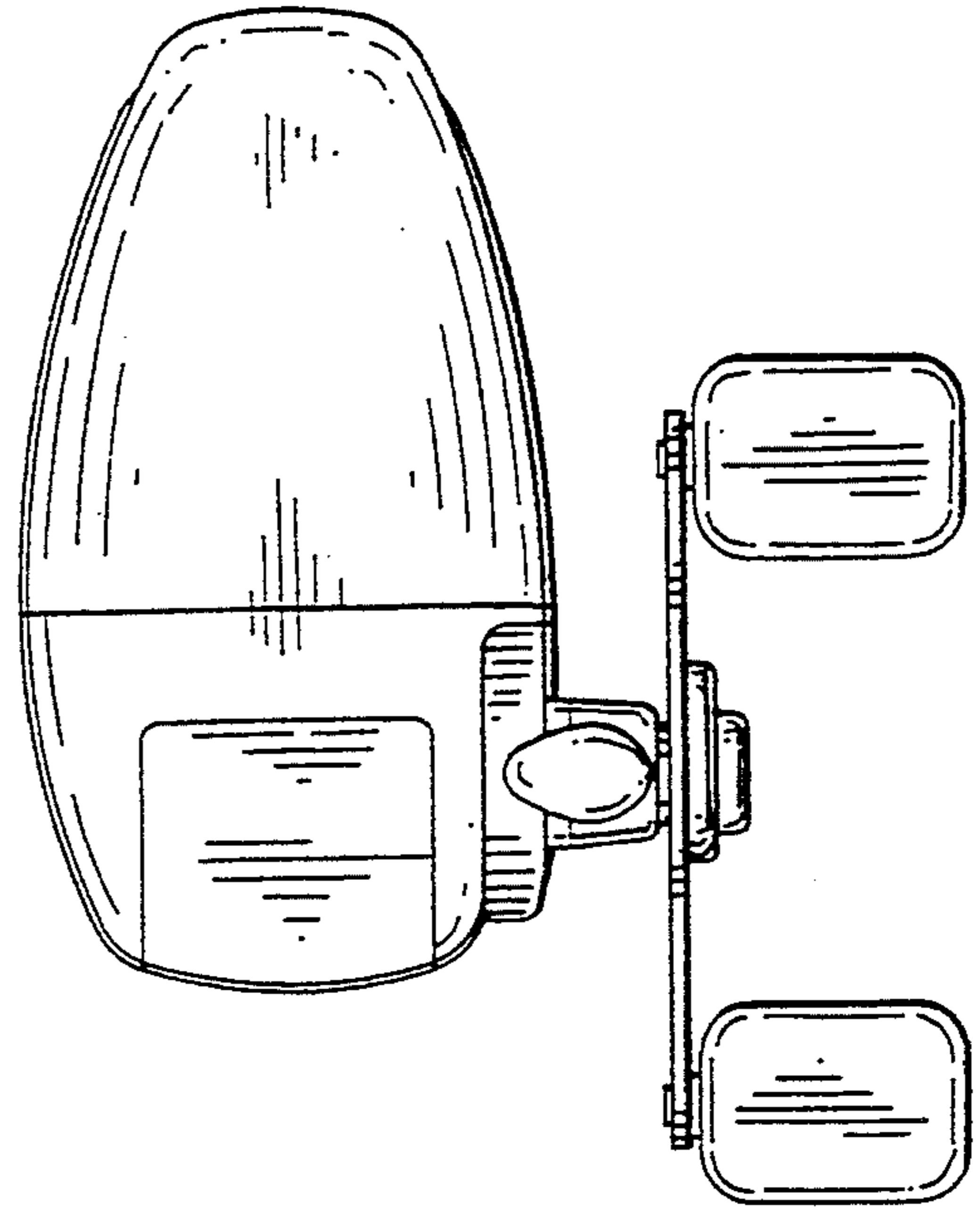


FIG. 23

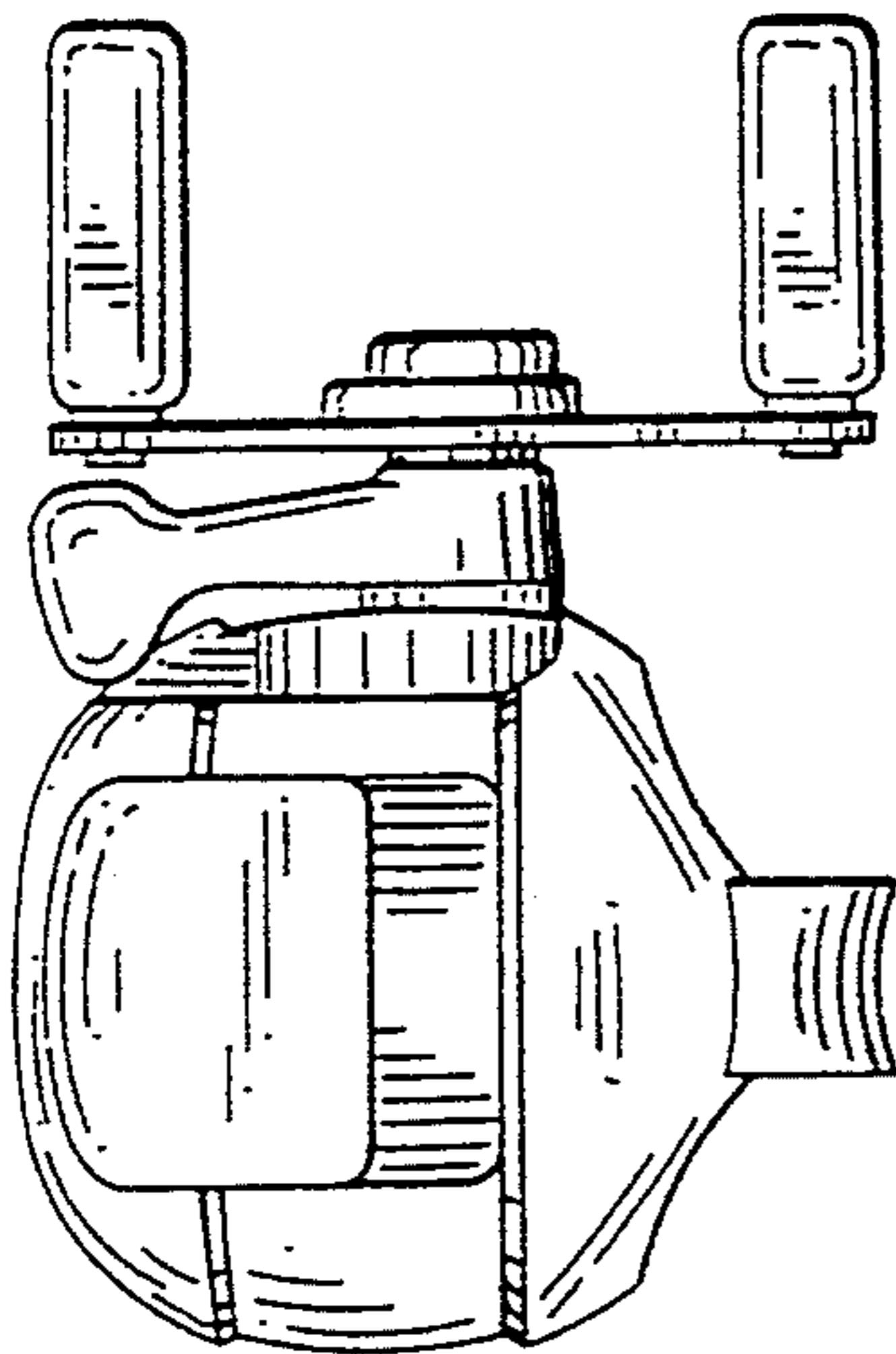


FIG. 24

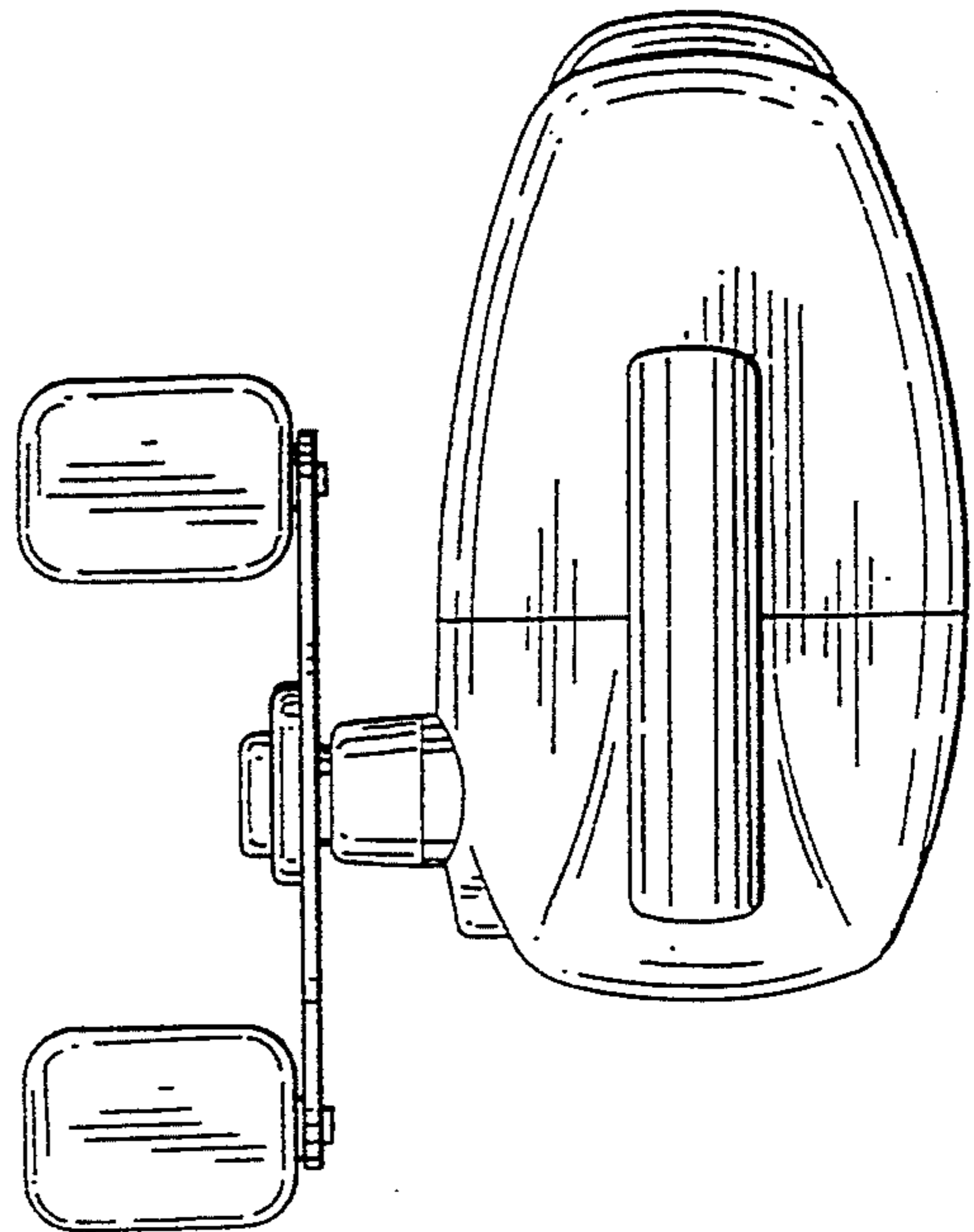


FIG. 27

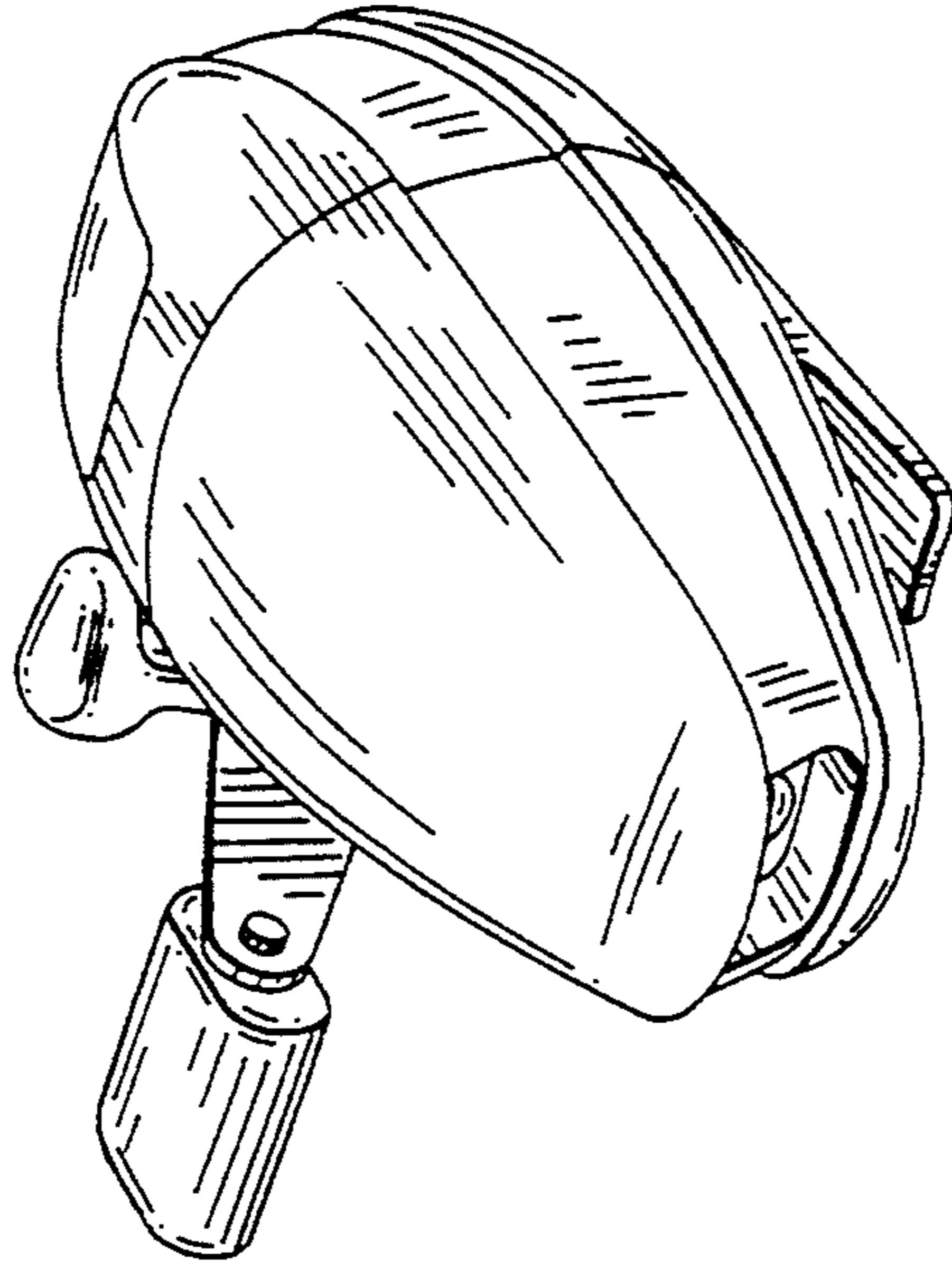


FIG. 25

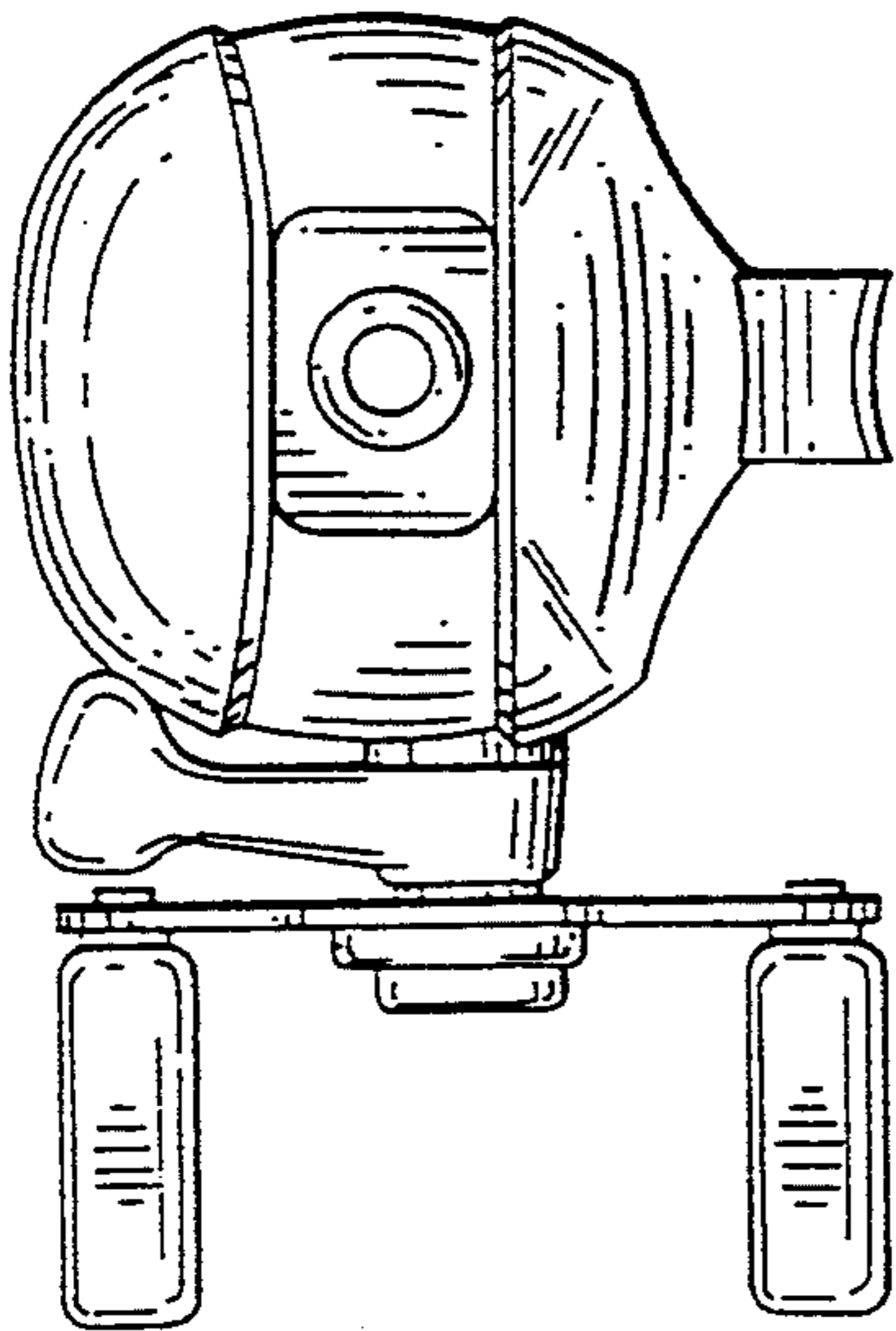


FIG. 26

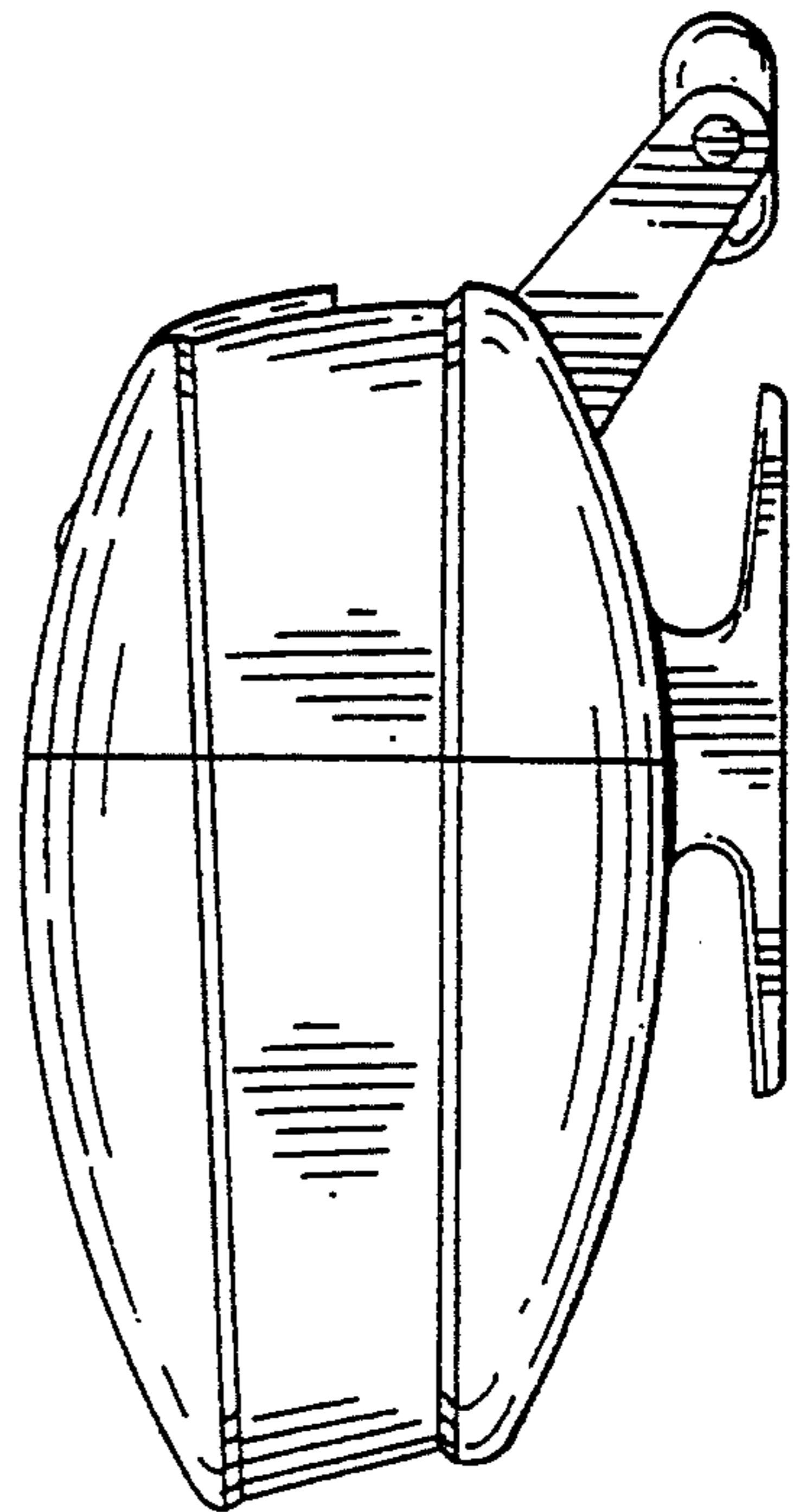


FIG. 29

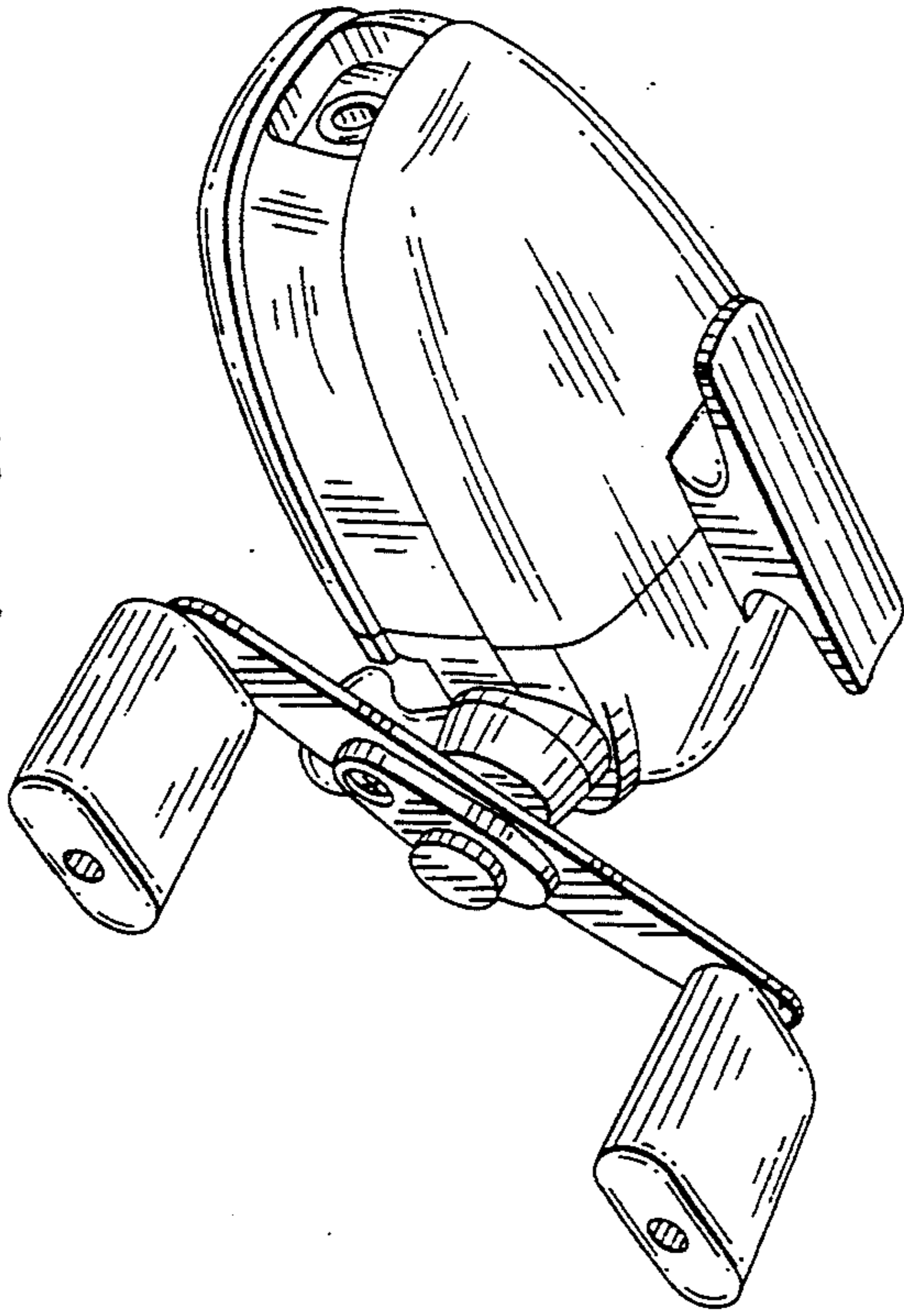


FIG. 30

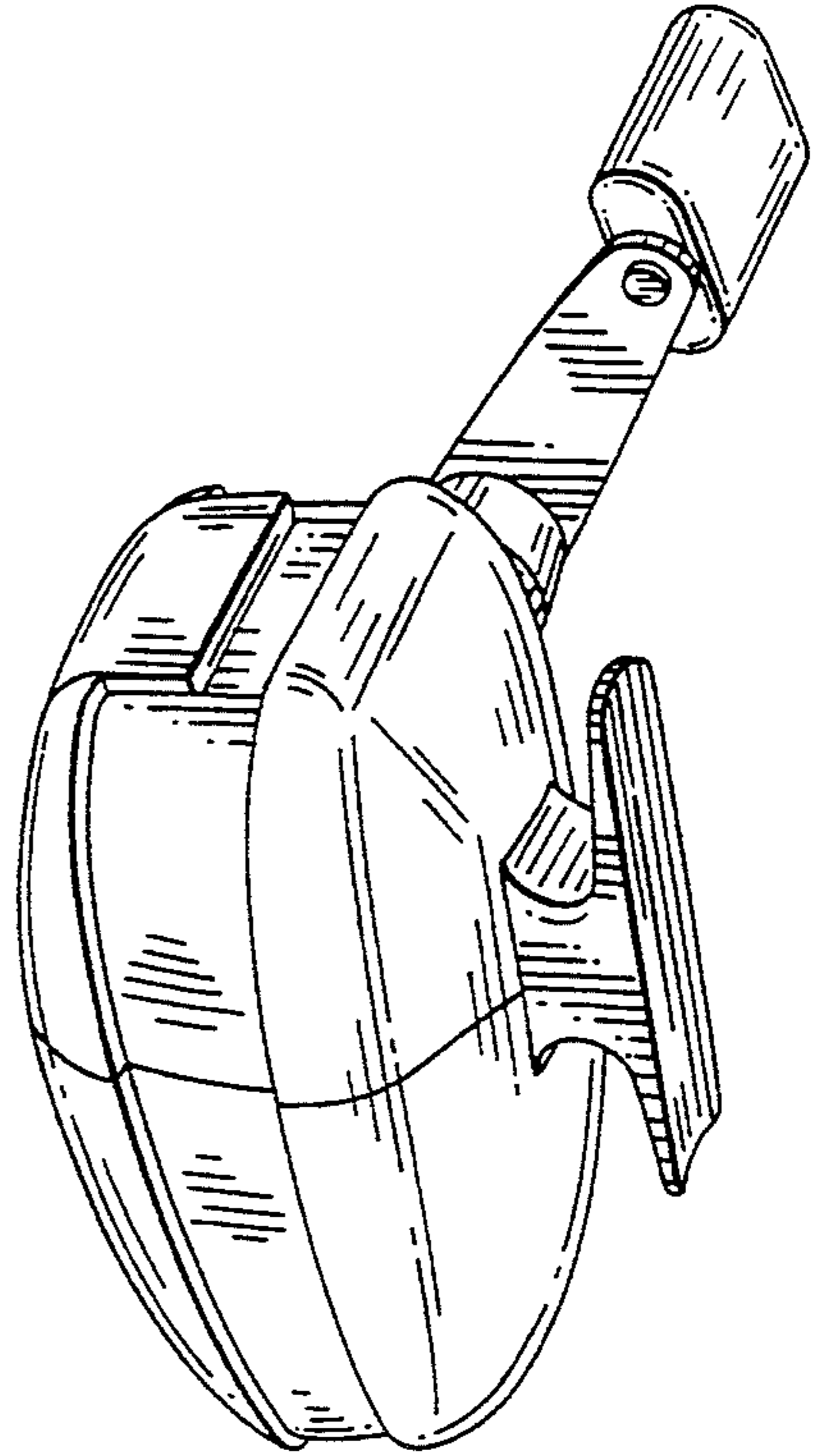


FIG. 28

