



US00D355234S

United States Patent [19]

[11] Patent Number: **Des. 355,234**

MacNally et al.

[45] Date of Patent: **** Feb. 7, 1995**

[54] GOLF CLUB HEAD

[75] Inventors: **Robert F. MacNally**, Hinsdale;
Timothy R. Reed, Buffalo Grove,
both of Ill.

[73] Assignee: **Tommy Armour Golf Company**,
Morton Grove, Ill.

[**] Term: **14 Years**

[21] Appl. No.: **9,181**

[22] Filed: **Jun. 10, 1993**

[52] U.S. Cl. **D21/220**

[58] Field of Search **D21/220; 273/167-175**

[56] References Cited

U.S. PATENT DOCUMENTS

| | | | |
|------------|---------|--------------------------|----------|
| D. 125,455 | 2/1941 | Newsome . | |
| D. 240,841 | 8/1976 | Solheim | D34/5 GC |
| D. 247,383 | 2/1978 | Adkins | D34/5 GH |
| D. 256,264 | 8/1980 | Solheim | D21/220 |
| D. 267,965 | 2/1983 | Kobayashi | D21/220 |
| D. 269,101 | 5/1983 | Reymann, Jr. et al. | D21/220 |
| D. 306,195 | 2/1990 | MacNally et al. | D21/220 |
| D. 321,919 | 11/1991 | Cheng | D21/220 |
| D. 322,652 | 12/1991 | Antonious | D21/220 |
| D. 323,689 | 2/1992 | Hardman et al. | D21/220 |
| D. 323,690 | 2/1992 | Hlinka | D21/220 |
| D. 325,415 | 4/1992 | Antonious | D21/220 |
| D. 327,109 | 6/1992 | Hardman et al. | D21/220 |
| D. 327,521 | 6/1992 | Antonious | D21/220 |
| D. 327,523 | 6/1992 | Iinuma et al. | D21/220 |
| D. 328,936 | 8/1992 | Antonious | D21/220 |
| D. 329,265 | 9/1992 | Antonious | D21/220 |
| D. 329,482 | 9/1992 | Antonious | D21/220 |
| D. 329,677 | 9/1992 | Antonious | D21/220 |
| D. 330,926 | 11/1992 | Antonious | D21/220 |
| D. 334,778 | 3/1994 | Solheim | D21/220 |
| D. 337,143 | 7/1993 | Lo | D21/220 |
| D. 339,183 | 9/1993 | Stites, III | D21/220 |
| D. 343,216 | 1/1994 | Chorne | D21/220 |
| D. 348,091 | 6/1994 | Allen | D21/220 |
| 3,655,188 | 4/1972 | Solheim | 273/77 A |
| 4,420,156 | 12/1983 | Campau | 273/77 A |
| 4,715,601 | 12/1987 | Lamanna | 273/77 A |
| 4,802,672 | 2/1989 | Long | 273/77 A |
| 4,826,172 | 5/1989 | Antonious | 273/169 |

(List continued on next page.)

OTHER PUBLICATIONS

Golf Digest, Jul. 1990, p. 123, bottom, lower right, irons.

Tommy Armour Golf advertisement re "T-Line De-
(List continued on next page.)

Primary Examiner—Melvin B. Feifer
Attorney, Agent, or Firm—Tilton, Fallon, Lungmus & Chestnut

[57] CLAIM

The ornamental design for a golf club head, as shown and described.

DESCRIPTION

FIG. 1 is a rear perspective view of a golf club head embodying our new design, with a golf club shaft and grip shown in broken lines for illustrative purposes only;

FIG. 2 is a rear elevation view of the golf club head shown in FIG. 1;

FIG. 3 is a front elevation of the golf club head shown in FIG. 1;

FIG. 4 is a toe-end elevation of the golf club head shown in FIG. 1;

FIG. 5 is a top plan view of the golf club head shown in FIG. 1;

FIG. 6 is a sectional view of the golf club head shown in FIG. 2 taken along lines 6—6 thereof;

FIG. 7 is another sectional view of the golf club head shown in FIG. 2 but viewed along lines 7—7 thereof;

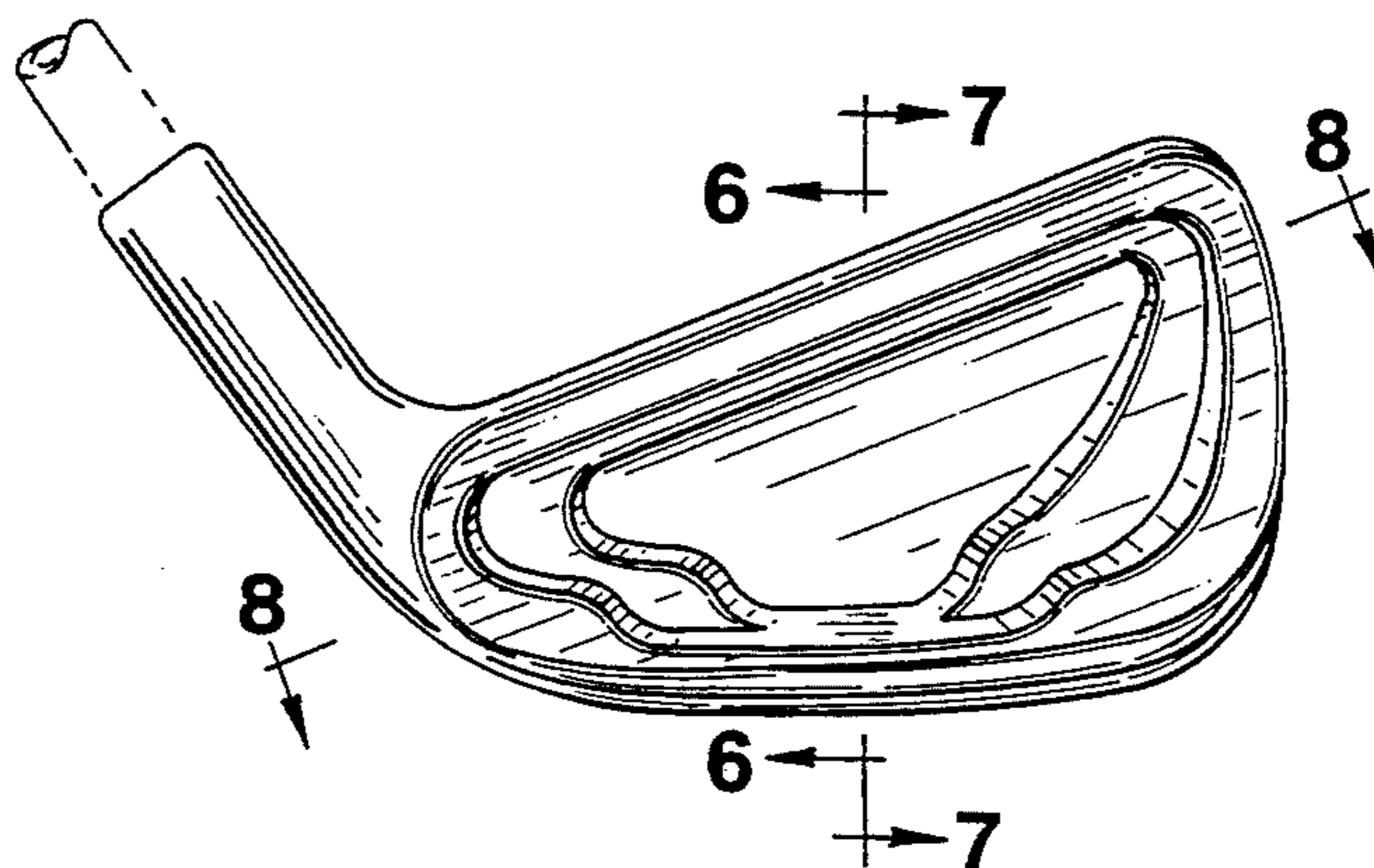
FIG. 8 is a generally horizontal sectional view of the golf club head shown in FIG. 2 viewed along lines 8—8 thereof;

FIG. 9 is a rear elevation view of another embodiment of our new design of a golf club head;

FIG. 10 is a sectional view of the golf club head shown in FIG. 9 viewed along lines 10—10 thereof;

FIG. 11 is another sectional view of the club head shown in FIG. 9 viewed along lines 11—11 thereof; and,

FIG. 12 is a generally horizontal sectional view of the golf club head shown in FIG. 9 as viewed along lines 12—12 thereof.



U.S. PATENT DOCUMENTS

| | | | |
|-----------|---------|------------------|-----------|
| 4,858,929 | 8/1989 | Long | 273/77 A |
| 4,913,435 | 4/1990 | Kobayashi | 273/77 A |
| 4,919,430 | 4/1990 | Antonious | 273/169 |
| 4,919,431 | 4/1990 | Antonious | 273/169 |
| 4,921,252 | 5/1990 | Antonious | 273/164 |
| 4,932,658 | 6/1990 | Antonious | 273/169 |
| 4,938,470 | 7/1990 | Antonious | 273/164 |
| 4,955,610 | 9/1990 | Creighton et al. | 273/169 |
| 5,014,993 | 5/1991 | Antonious | 273/169 |
| 5,026,056 | 6/1991 | MacNally et al. | 273/77 A |
| 5,046,733 | 9/1991 | Antonious | 273/77 A |
| 5,048,834 | 9/1991 | Gorman | 273/167 F |
| 5,048,835 | 9/1991 | Gorman | 273/167 F |
| 5,067,711 | 11/1991 | Parente et al. | 273/77 A |
| 5,209,473 | 11/1993 | Fisher | 273/77 A |
| 5,224,705 | 7/1993 | Scheie | 273/77 A |
| 5,312,105 | 5/1994 | Cleveland | 273/167 G |
| 5,316,297 | 5/1994 | Chappell | 273/77 A |
| 5,320,347 | 6/1994 | Parente et al. | 273/80.2 |
| 5,326,106 | 7/1994 | Meyer | 273/167 H |
| 5,333,872 | 8/1994 | Manning et al. | 273/169 |

OTHER PUBLICATIONS

signer Model" club sold Jan., 1982.

MacGregor Golf Company advertisement in *Golf* Apr., 1987 magazine re "CG 1800s" clubs.

Two Ram Golf Company promotional brochures re

"Laser X2" iron golf clubs on sale in 1983.

Commercial brochure and advertisement of Mizuno golf Company for its "Altron" iron golf club marketed in early to mid-1980's.

Daiwa Golf Company advertisement in Jan., 1987 *Golf* magazine re "High-Trac" irons.

Part of 1988 brochure by Besco (Besco USA) re "XJ-10 Counterflow" iron club.

Golf Digest magazine of Feb. 1988 (p. 51) re MacGregor Golf Company's "RPM" model iron golf club.

Austad's Spring (1988) Preview Catalog re its "GSX" iron clubs.

Page from Wilson Sporting Good Company's 1991 golf equipment catalog re "Wilson 1200 TN Gear Effect" iron golf club.

"Golf World" magazine of Feb. 23, 1973 re RAM "XS-1000" iron.

"Golf Digest" magazine of Jun. 1974 re Pinseeker "RB300" irons.

"Austad's Spring" (1991) catalogue (p. 4) re Spalding "Tour Edition" iron and Wilson "1200TN" iron.

"Golf Digest" magazine of Apr. 1974 re Ram "Accubar" iron.

"Golf Digest" magazine of Jan. 1979 re "Butch Baird's irons".

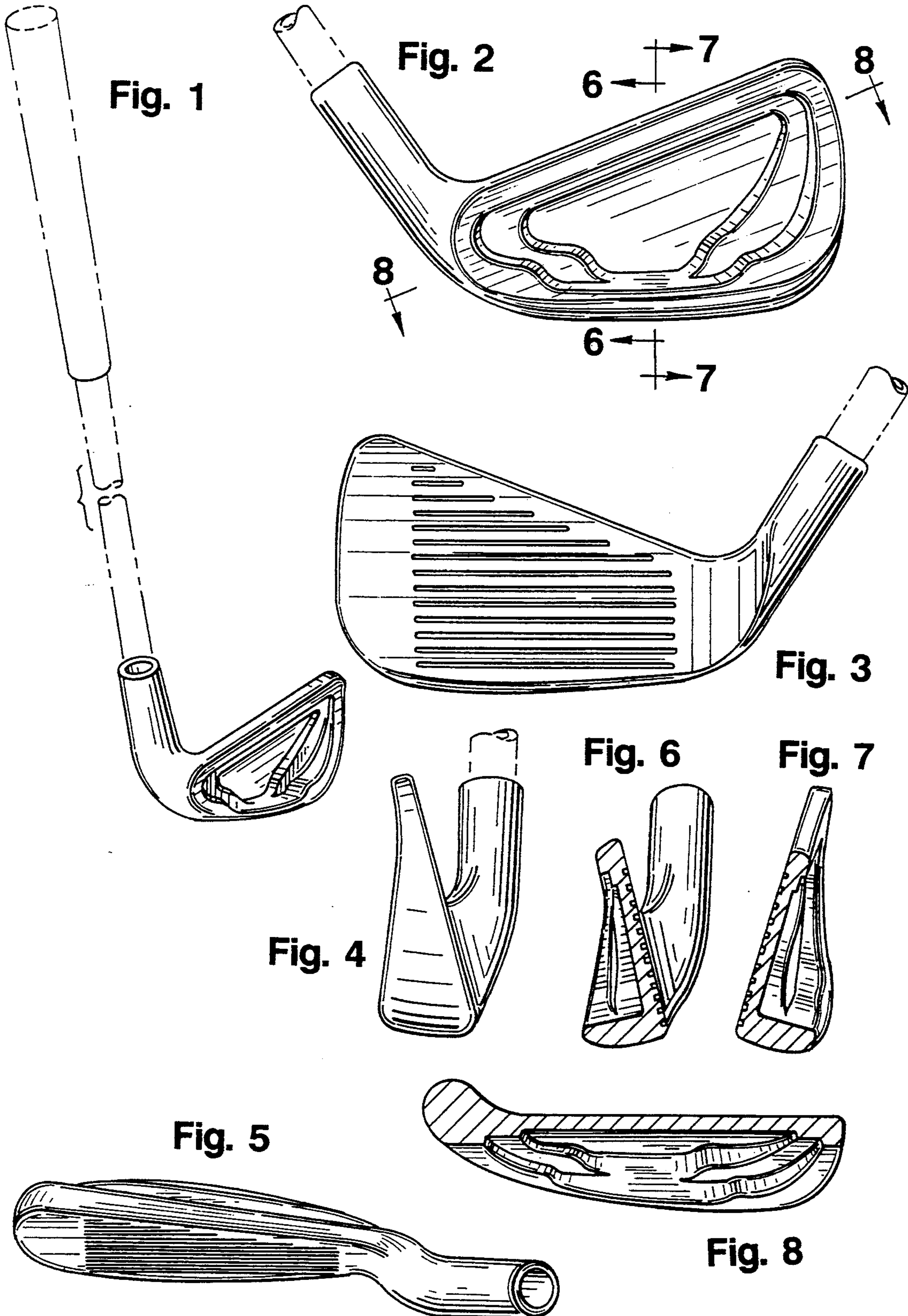


Fig. 9

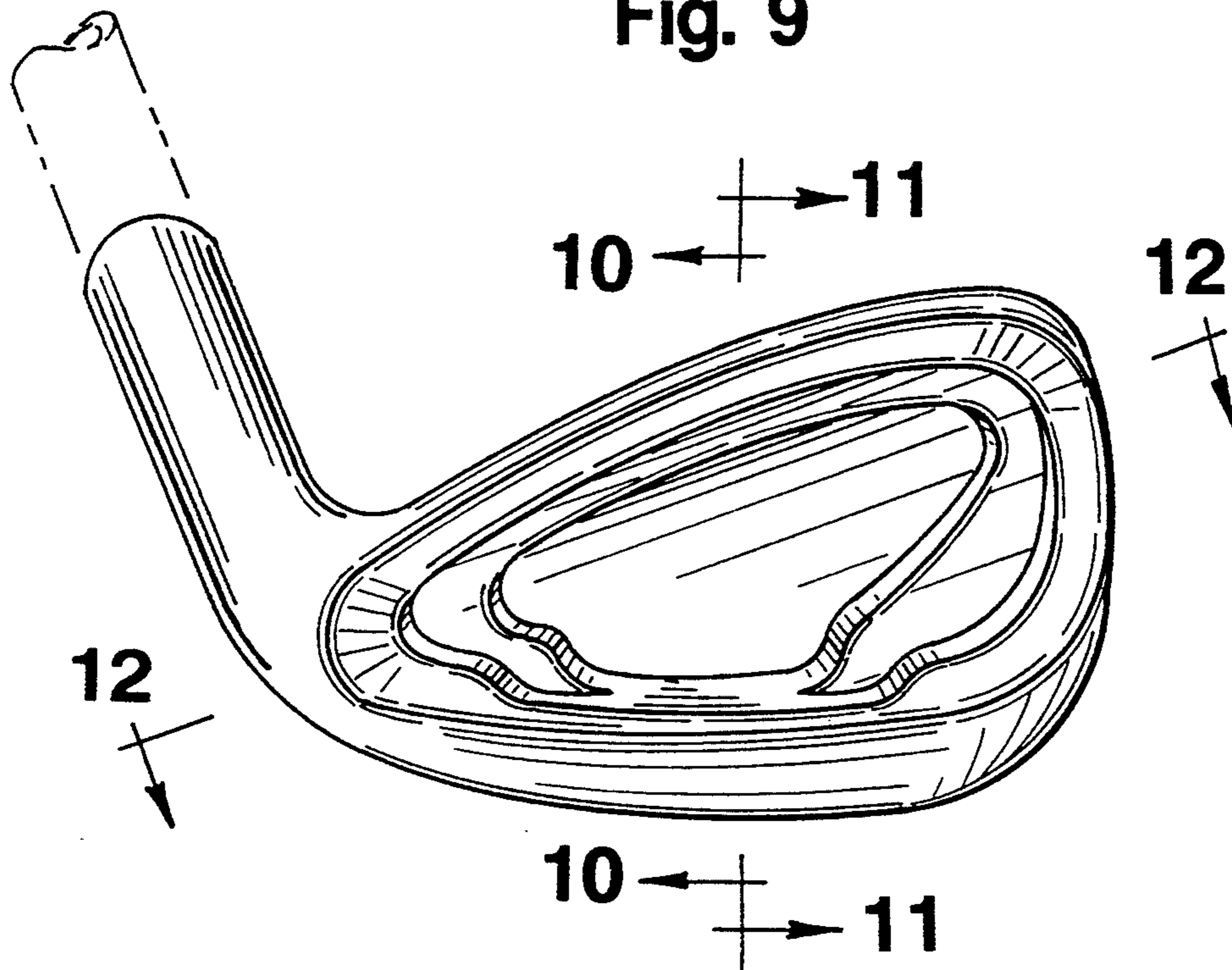


Fig. 10

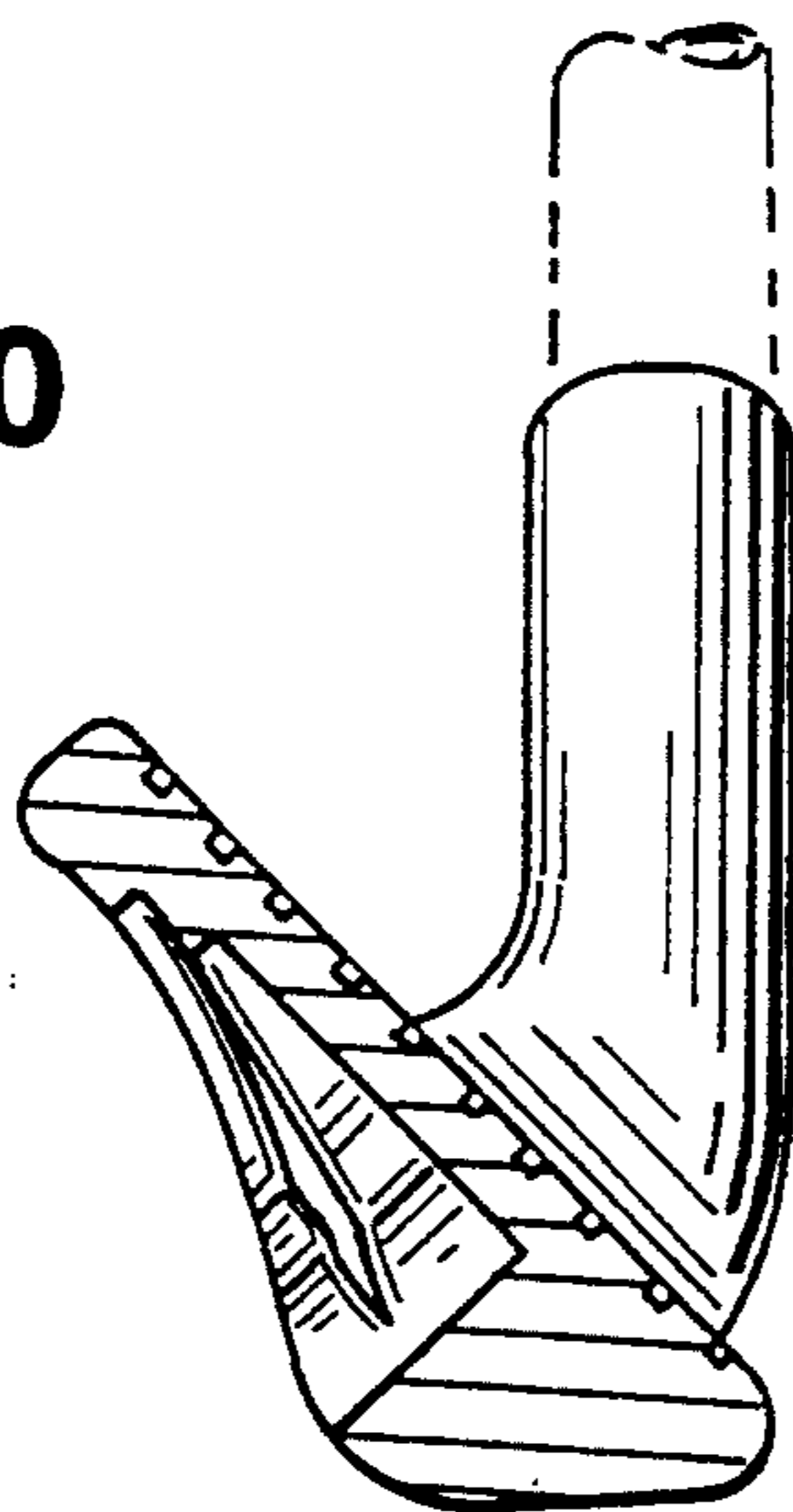


Fig. 11

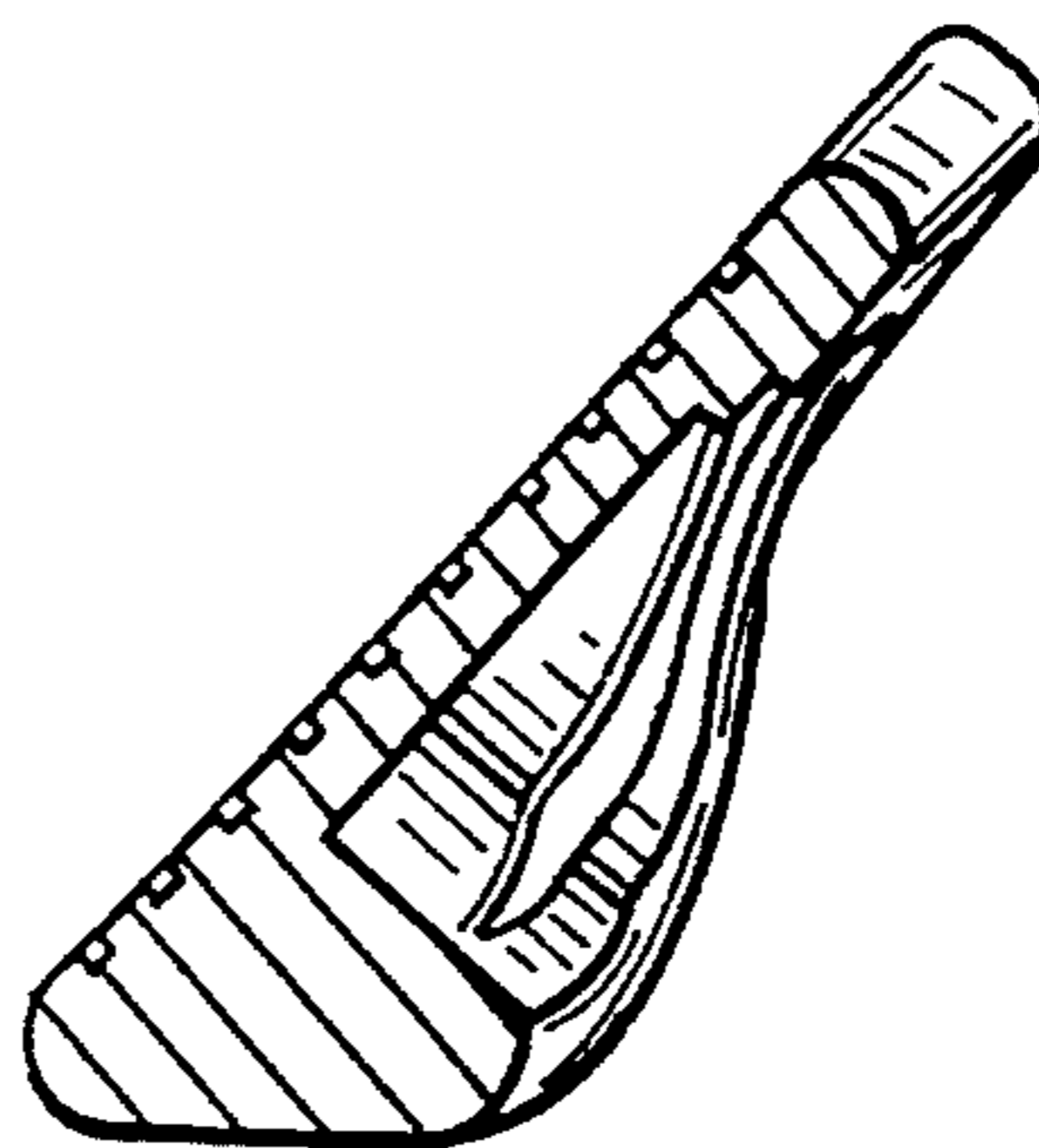


Fig. 12

