



US00D355233S

**United States Patent** [19]  
**Burdick**

[11] **Patent Number: Des. 355,233**

[45] **Date of Patent: \*\* Feb. 7, 1995**

[54] **GOLF PUTTER HEAD**

[76] Inventor: **Don E. Burdick**, 400 Woodland Park,  
San Leandro, Calif. 94577

[\*\*] Term: **14 Years**

[21] Appl. No.: **9,513**

[22] Filed: **Jun. 15, 1993**

[52] U.S. Cl. .... **D21/218**

[58] Field of Search ..... **D21/214-220;**  
**273/164.1, 167-175**

[56] **References Cited**

**U.S. PATENT DOCUMENTS**

D. 136,005 7/1943 Armstrong ..... D21/217  
4,426,083 1/1984 Dishner, Jr. .... 273/164.1

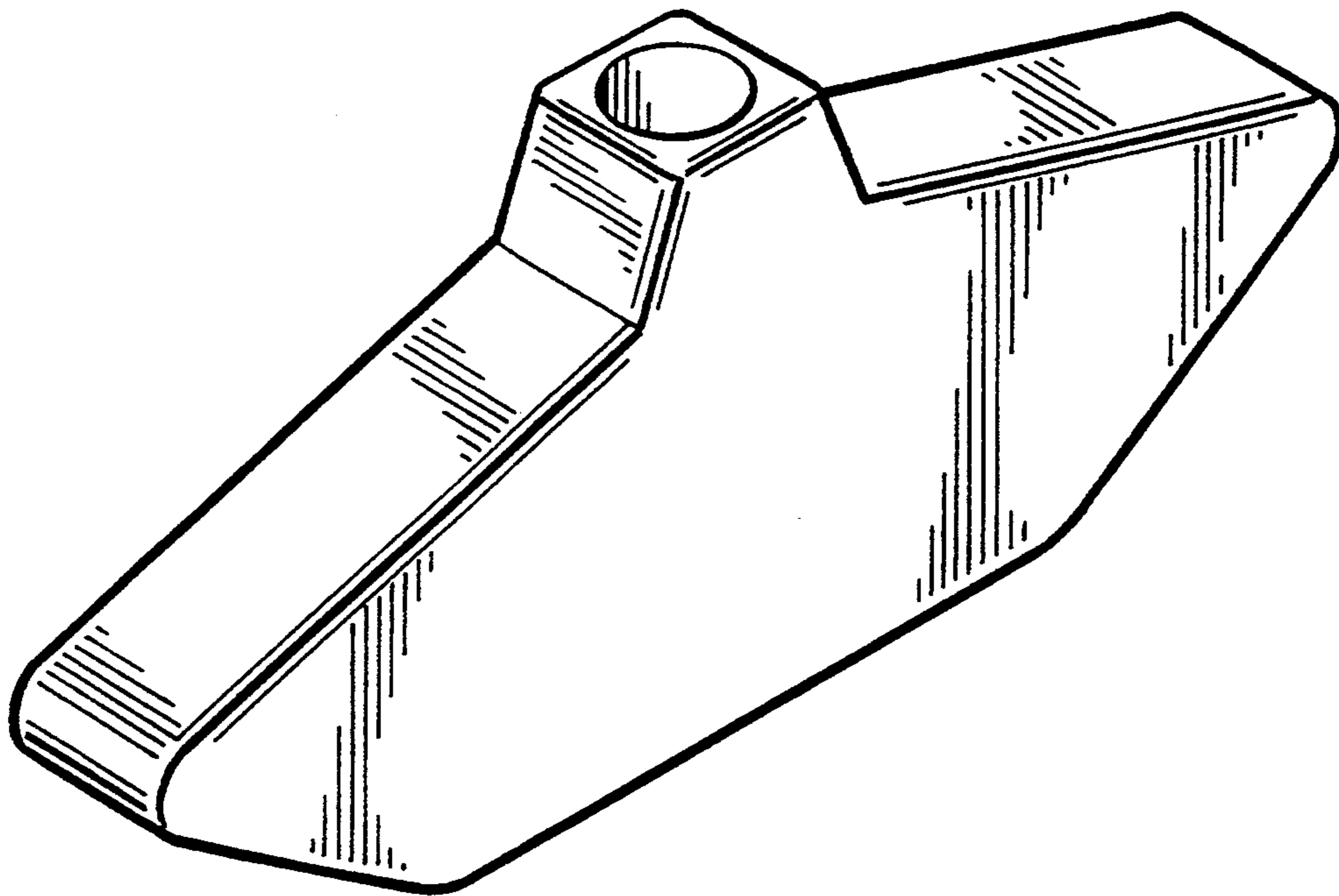
*Primary Examiner*—Melvin B. Feifer  
*Attorney, Agent, or Firm*—Phillips, Moore, Lempio &  
Finley

[57] **CLAIM**

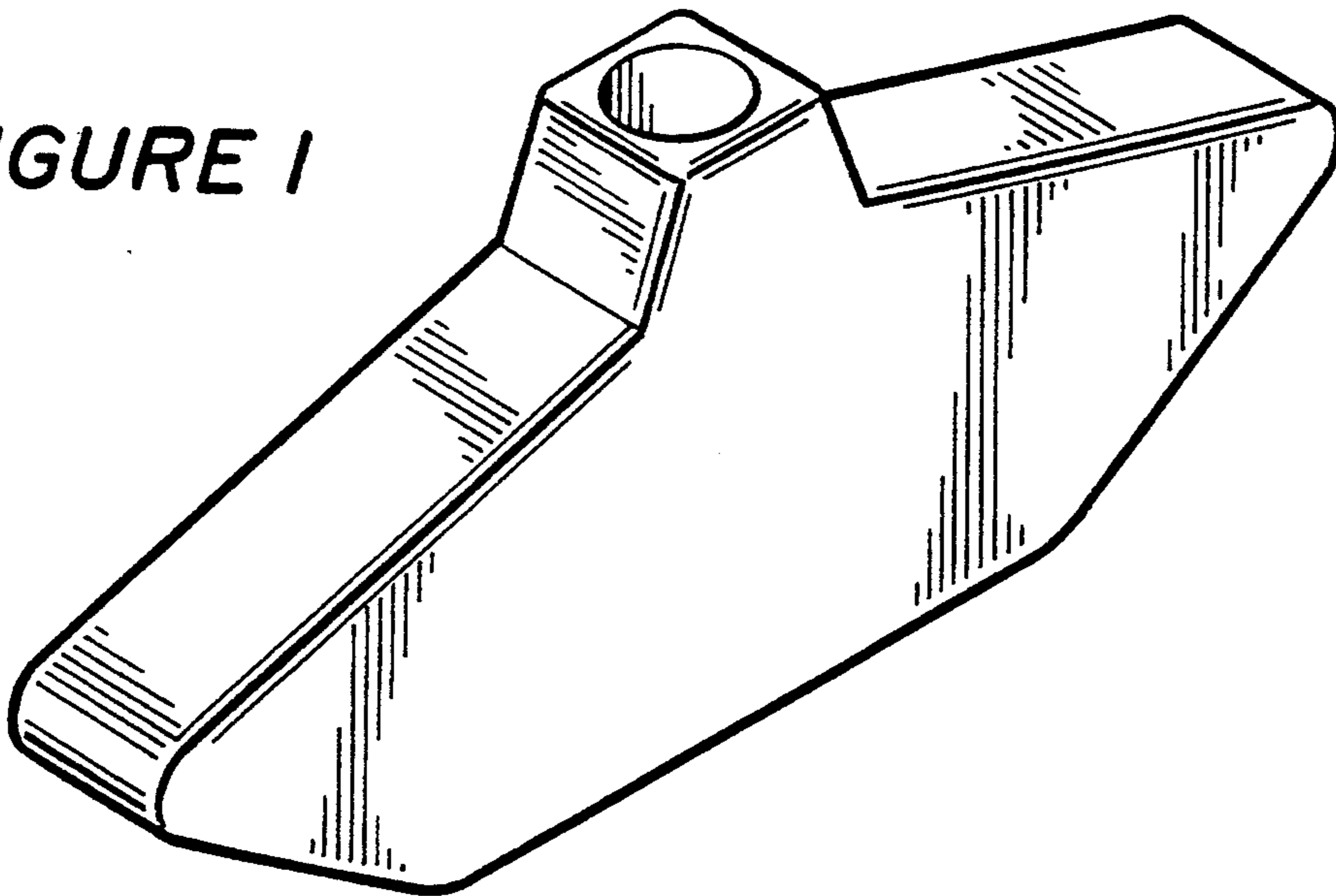
The ornamental design for a golf putter head, as shown  
and described.

**DESCRIPTION**

FIG. 1 is an isometric view of a golf putter head show-  
ing my new design;  
FIG. 2 is a side elevational view thereof;  
FIG. 3 is a top plan view thereof;  
FIG. 4 is a bottom plan view thereof; and,  
FIG. 5 is an end elevational view thereof, the opposite  
end being a mirror image of the end shown.

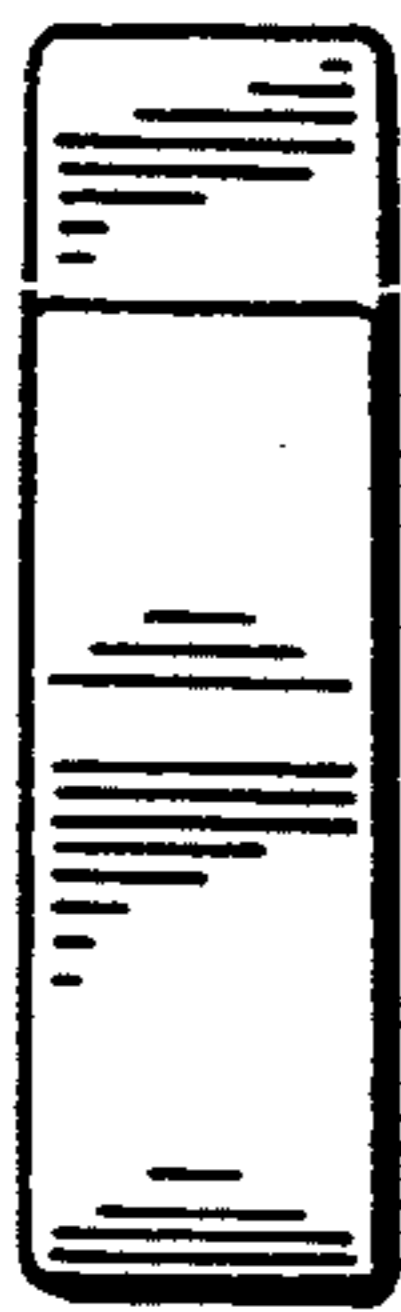
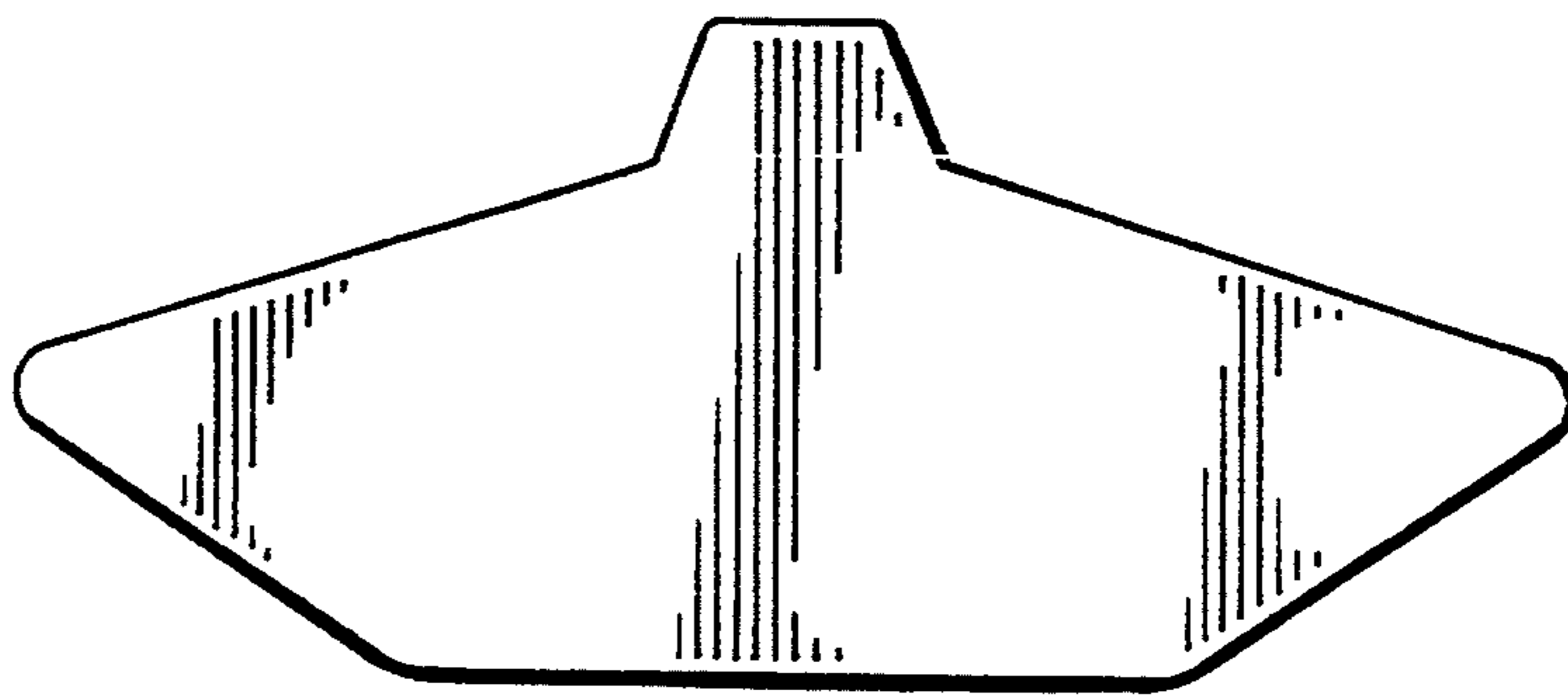


**FIGURE 1**



**FIGURE 3**

**FIGURE 2**



**FIGURE 5**

**FIGURE 4**

