



US00D355231S

United States Patent [19]

[11] Patent Number: **Des. 355,231**

Chien

[45] Date of Patent: **** Feb. 7, 1995**

[54] SHUTTLECOCK

3,831,943	8/1974	Popplewell	273/417
5,066,018	11/1991	Hinton	273/58 K X
5,199,716	4/1993	DeFluiter et al.	273/58 K X

[76] Inventor: **Tony Chien**, No. 24, Lane 46, Sec. 1, Chung Hsing Rd., U-Ku Hsiang, Taipei Hsien, Taiwan, Prov. of China

Primary Examiner—Melvin B. Feifer
Assistant Examiner—Cheri Cohen
Attorney, Agent, or Firm—Browdy and Neimark

[**] Term: **14 Years**

[57] **CLAIM**

[21] Appl. No.: **7,663**

The ornamental design for a shuttlecock, as shown and described.

[22] Filed: **Apr. 29, 1993**

DESCRIPTION

[52] U.S. Cl. **D21/207**

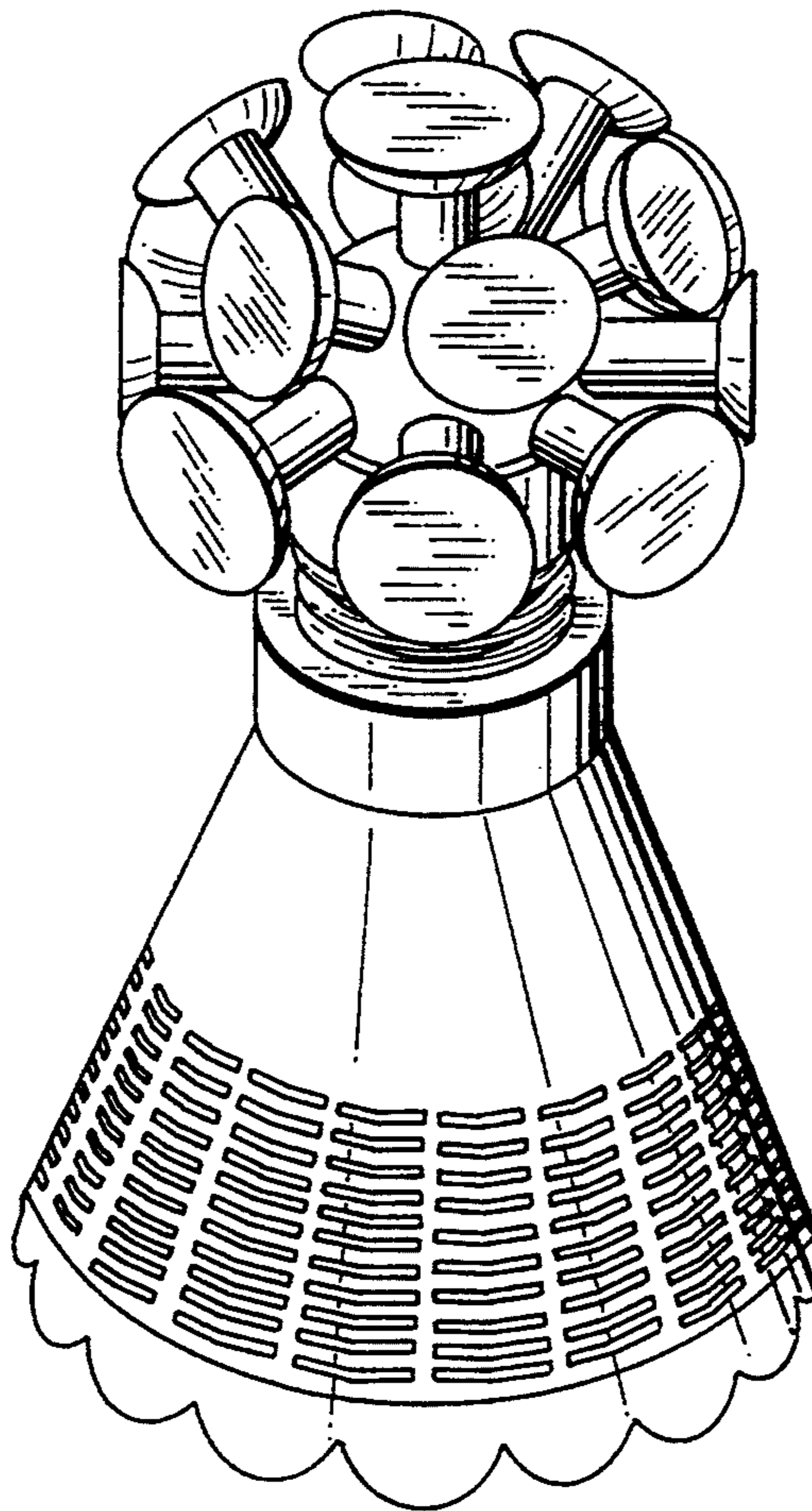
[58] Field of Search **D21/207; 273/58 K, 417**

FIG. 1 is the perspective view of the design for shuttlecock showing my design;
FIG. 2 is the front elevational view thereof;
FIG. 3 is the rear elevational view thereof;
FIG. 4 is the left side elevational view thereof;
FIG. 5 is the right side elevational view thereof;
FIG. 6 is the top plan view thereof; and,
FIG. 7 is the bottom plan view thereof.

[56] **References Cited**

U.S. PATENT DOCUMENTS

D. 233,246	10/1974	Popplewell	D21/207
2,187,524	1/1940	Price	273/58 K
2,212,079	8/1940	Saunders	D21/207 X
2,626,807	1/1953	Carlton	D21/207 X



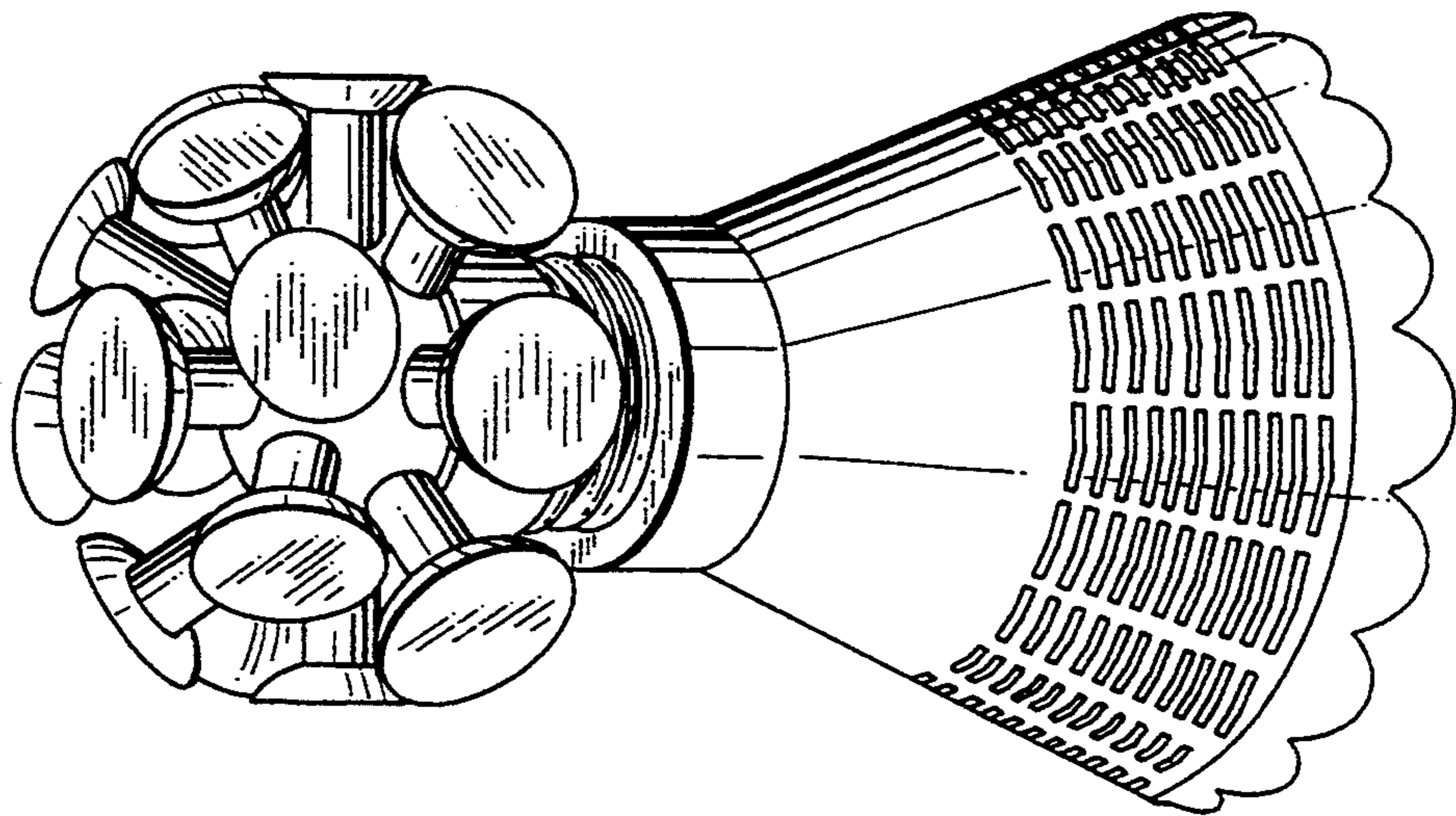


FIG. 1

FIG. 3

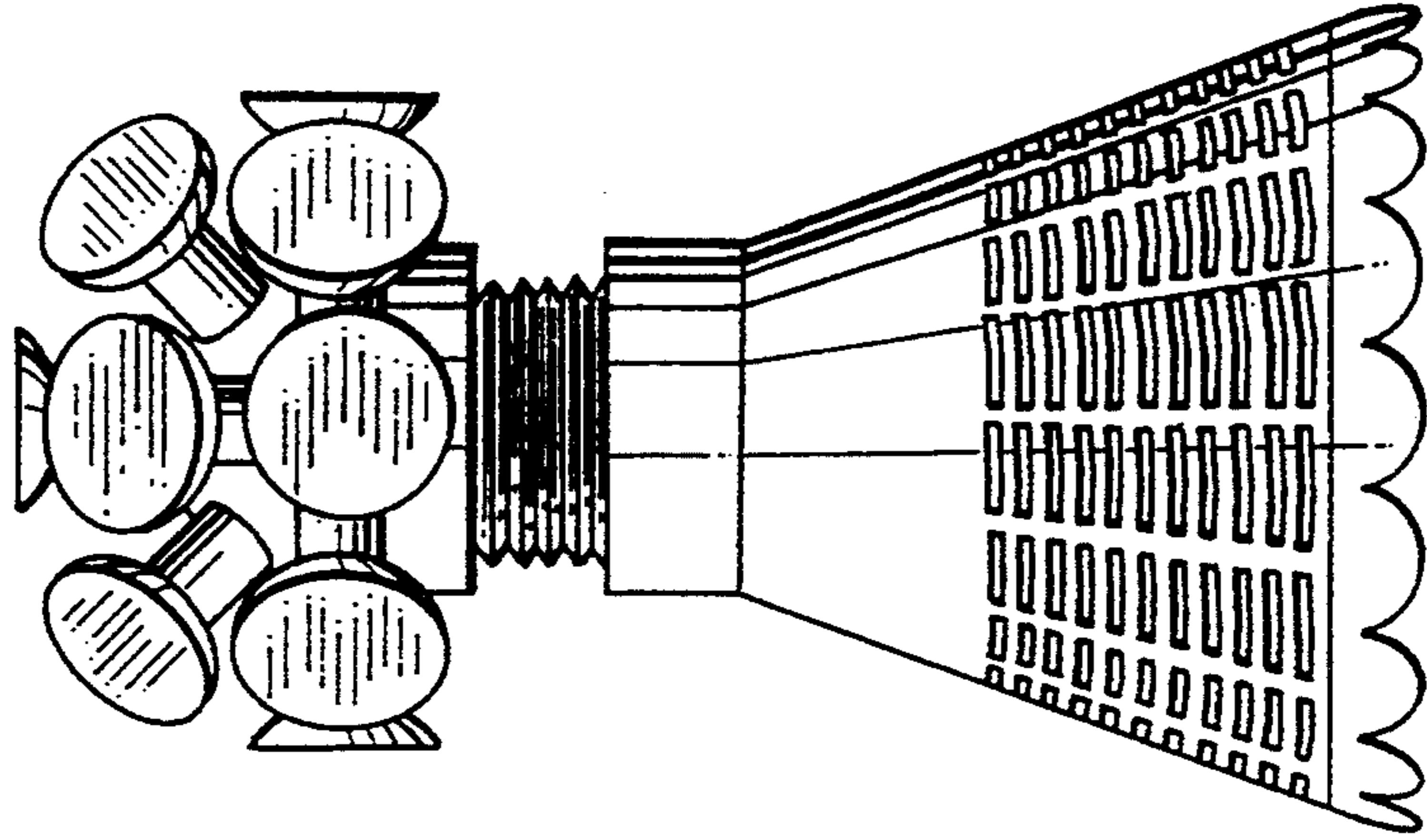


FIG. 2

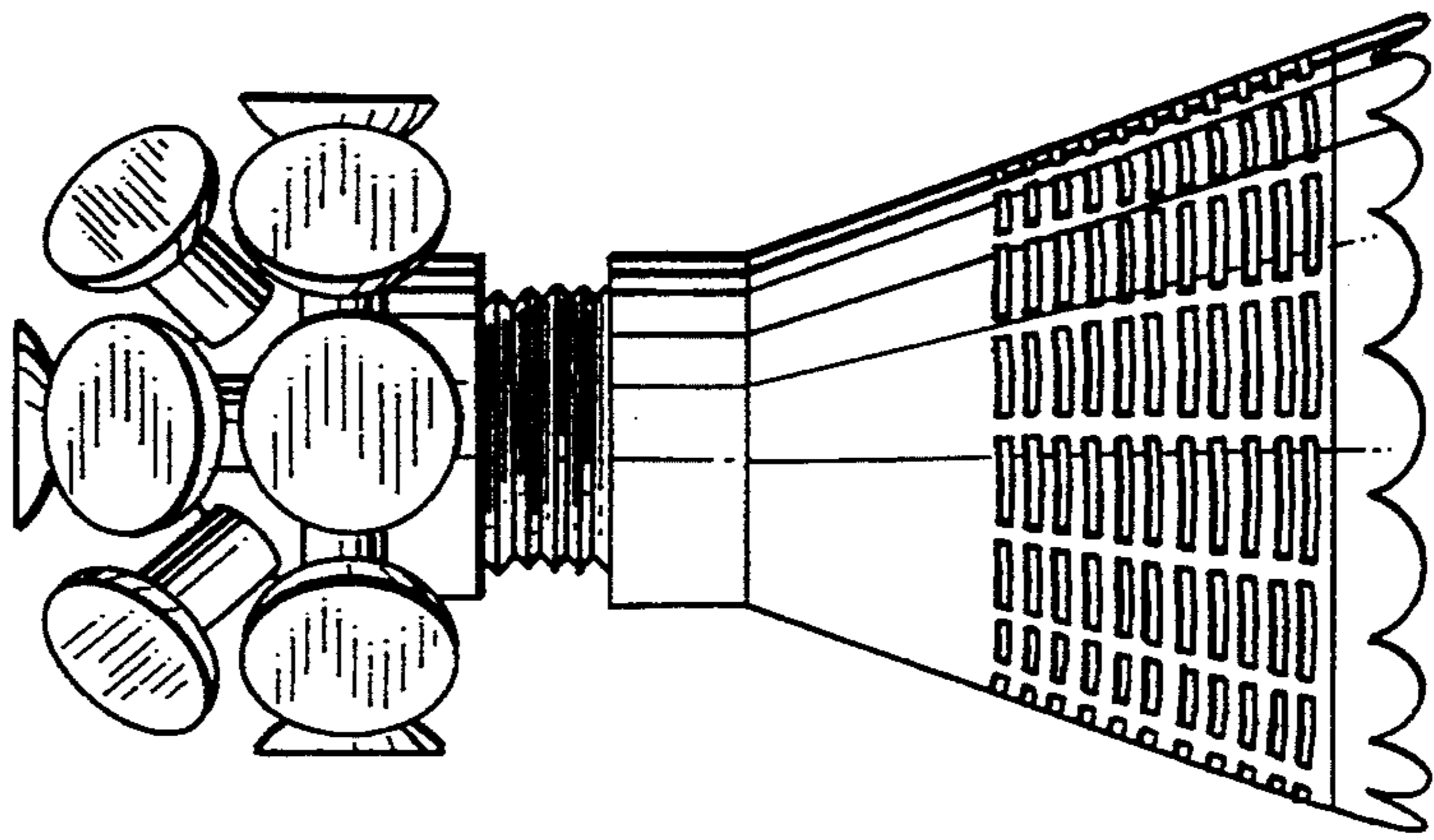


FIG. 5

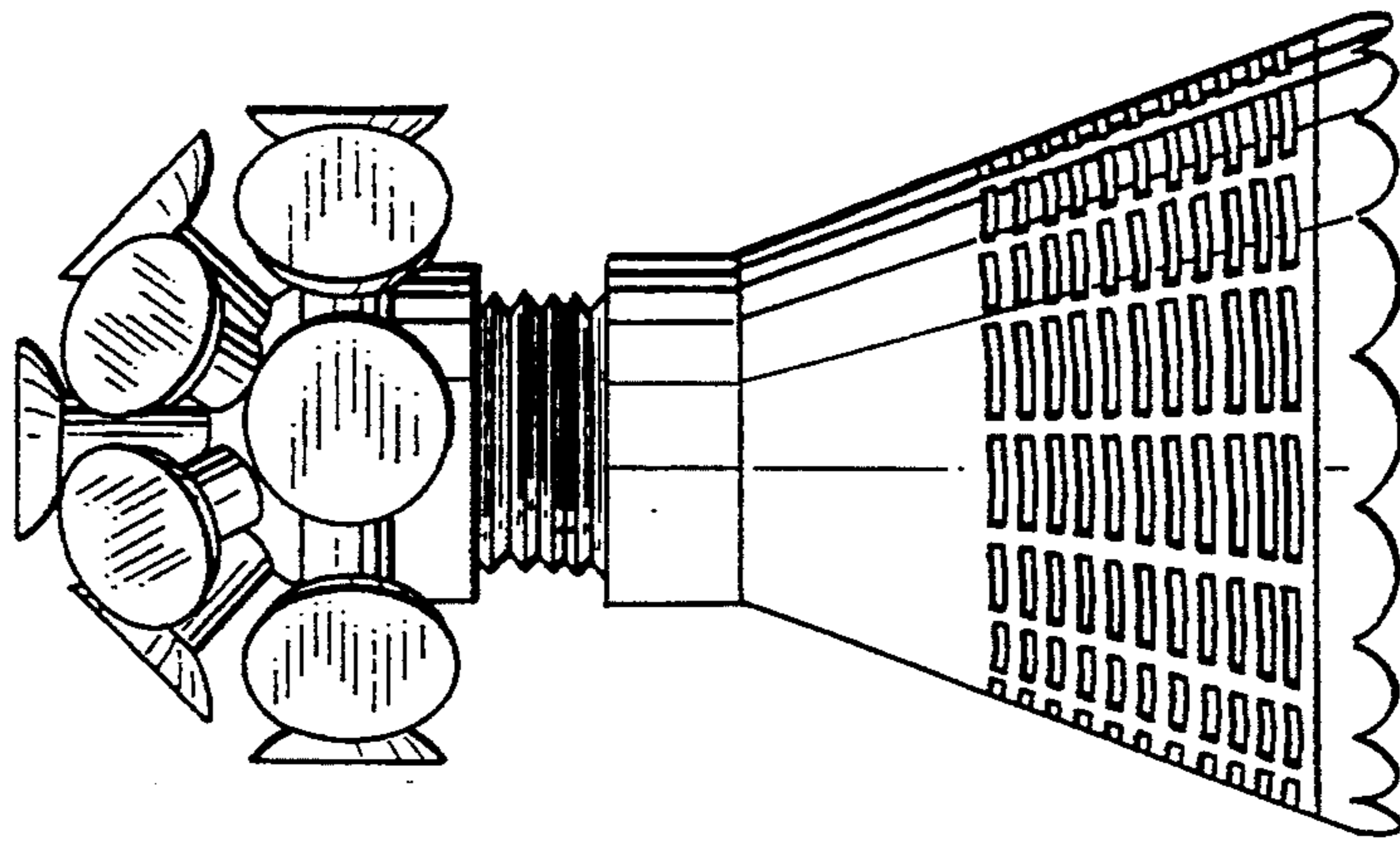


FIG. 4

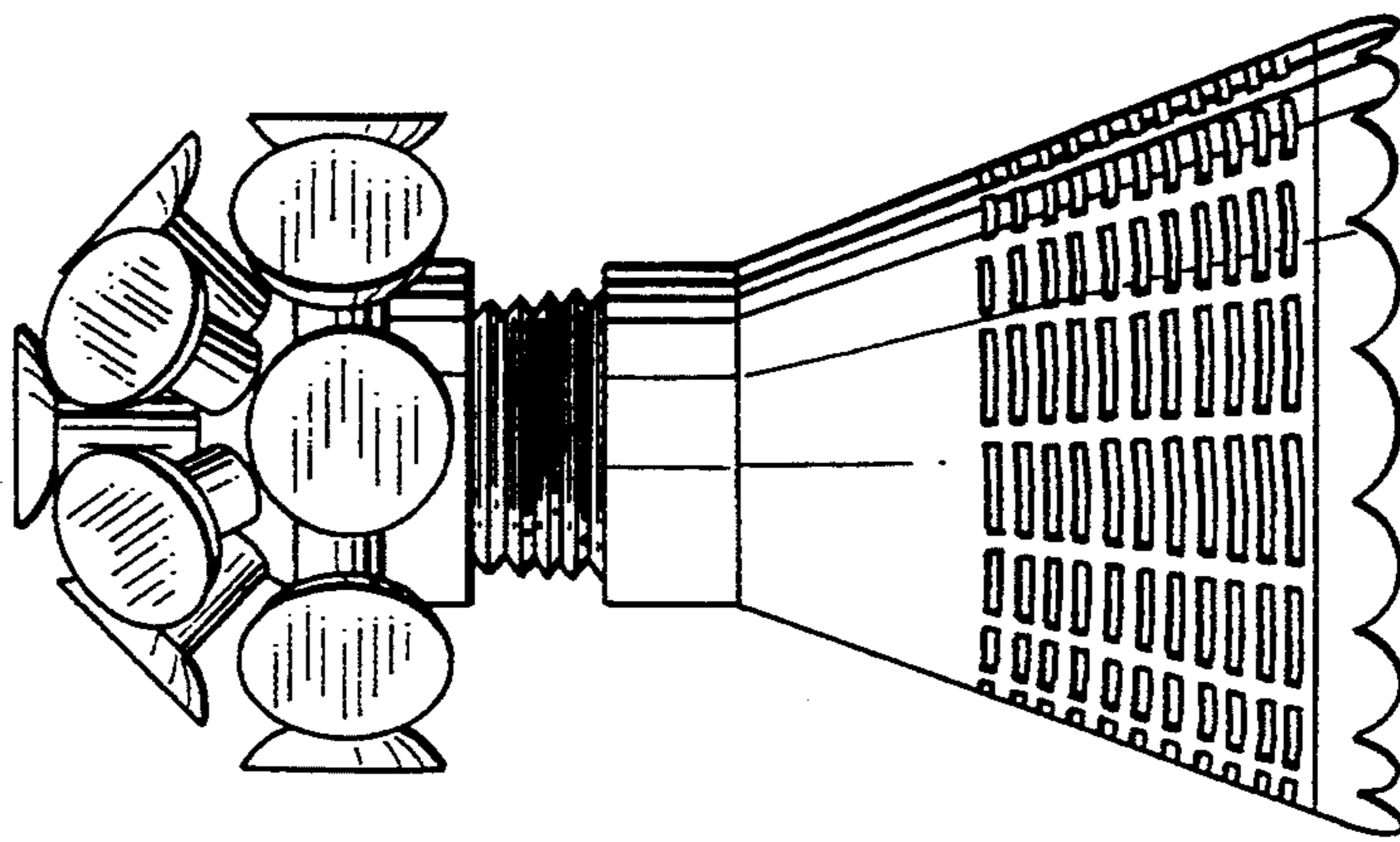


FIG. 7

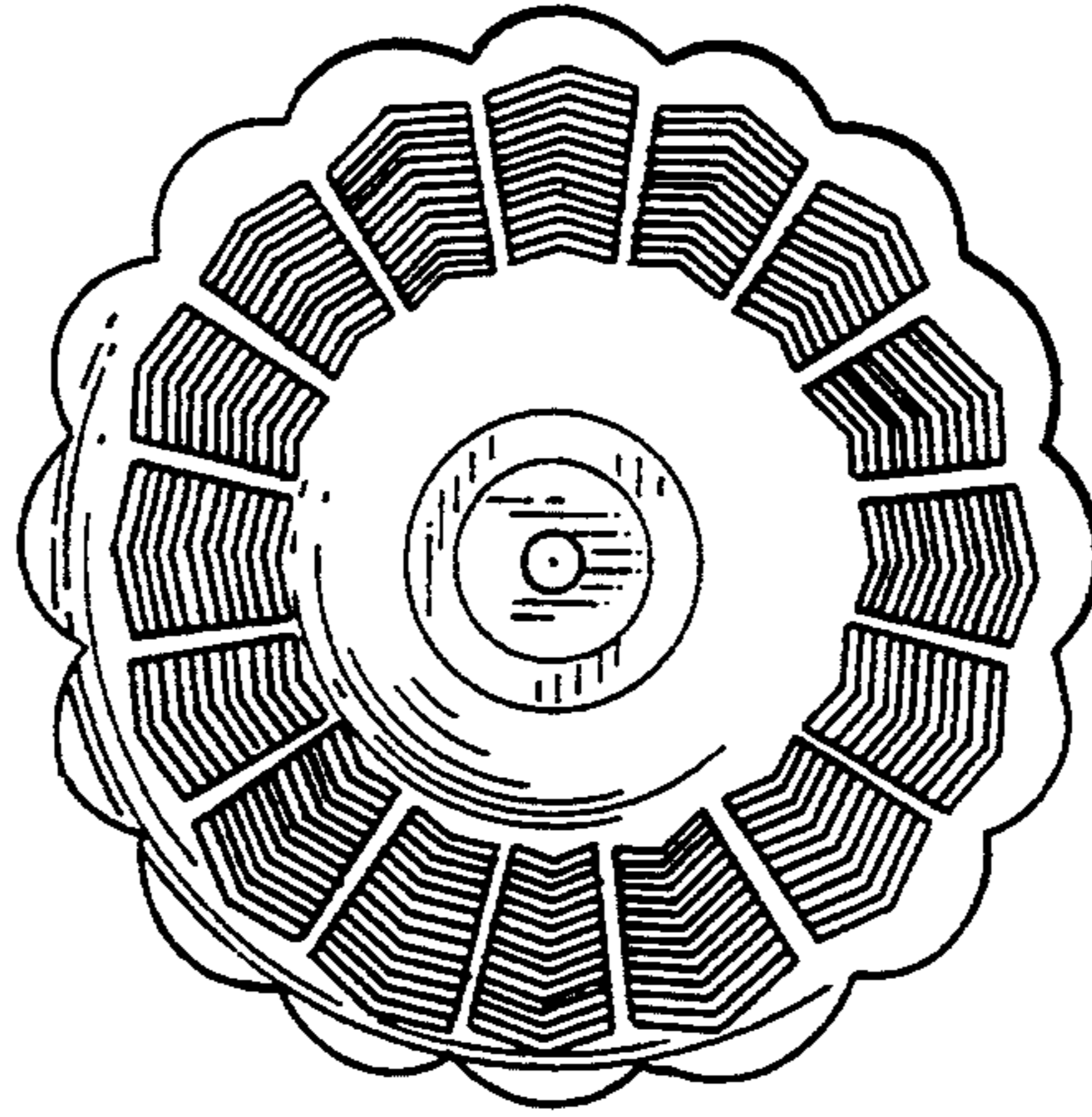


FIG. 6

