



US00D355229S

United States Patent [19]

[11] Patent Number: **Des. 355,229**

Mugnolo

[45] Date of Patent: **** Feb. 7, 1995**

[54] **HAND WEIGHT FOR RUNNERS AND JOGGERS**

[76] Inventor: **Anthony F. Mugnolo, P.O. Box 20646, Rochester, N.Y. 14602**

[**] Term: **14 Years**

[21] Appl. No.: **16,042**

[22] Filed: **Dec. 6, 1993**

[52] U.S. Cl. **D21/196**

[58] Field of Search **D21/191, 196, 197, 198; 482/105, 108, 106, 107, 109**

[56] **References Cited**

U.S. PATENT DOCUMENTS

D. 280,337	8/1985	Hood	D21/198
D. 297,962	10/1988	Wu	D21/197
D. 326,298	5/1992	King et al.	D21/197
D. 326,300	5/1992	King et al.	D21/197
D. 340,759	10/1993	Miller	D21/197
D. 343,433	1/1994	Crosson	D21/197
5,135,455	8/1992	King et al.	482/108

Primary Examiner—Theodore M. Shooman
Assistant Examiner—Philip Hyder
Attorney, Agent, or Firm—Shlesinger, Fitzsimmons & Shlesinger

[57] **CLAIM**

The ornamental design for a hand weight for runners and joggers, as shown and described.

DESCRIPTION

FIG. 1 is a top plan view of a hand weight showing my new design, the strap being shown in an open position relative to the weights;

FIG. 2 is a bottom plan view thereof;

FIG. 3 is a front elevational view thereof the rear view thereof being a mirror image of the front view;

FIG. 4 is a left side elevational view thereof, showing the straps in a closed position, the broken line showing of the hand being for illustrative purposes only and forming no part of the claimed design; and,

FIG. 5 is a perspective view thereof, showing the straps and weights in an alternate position.

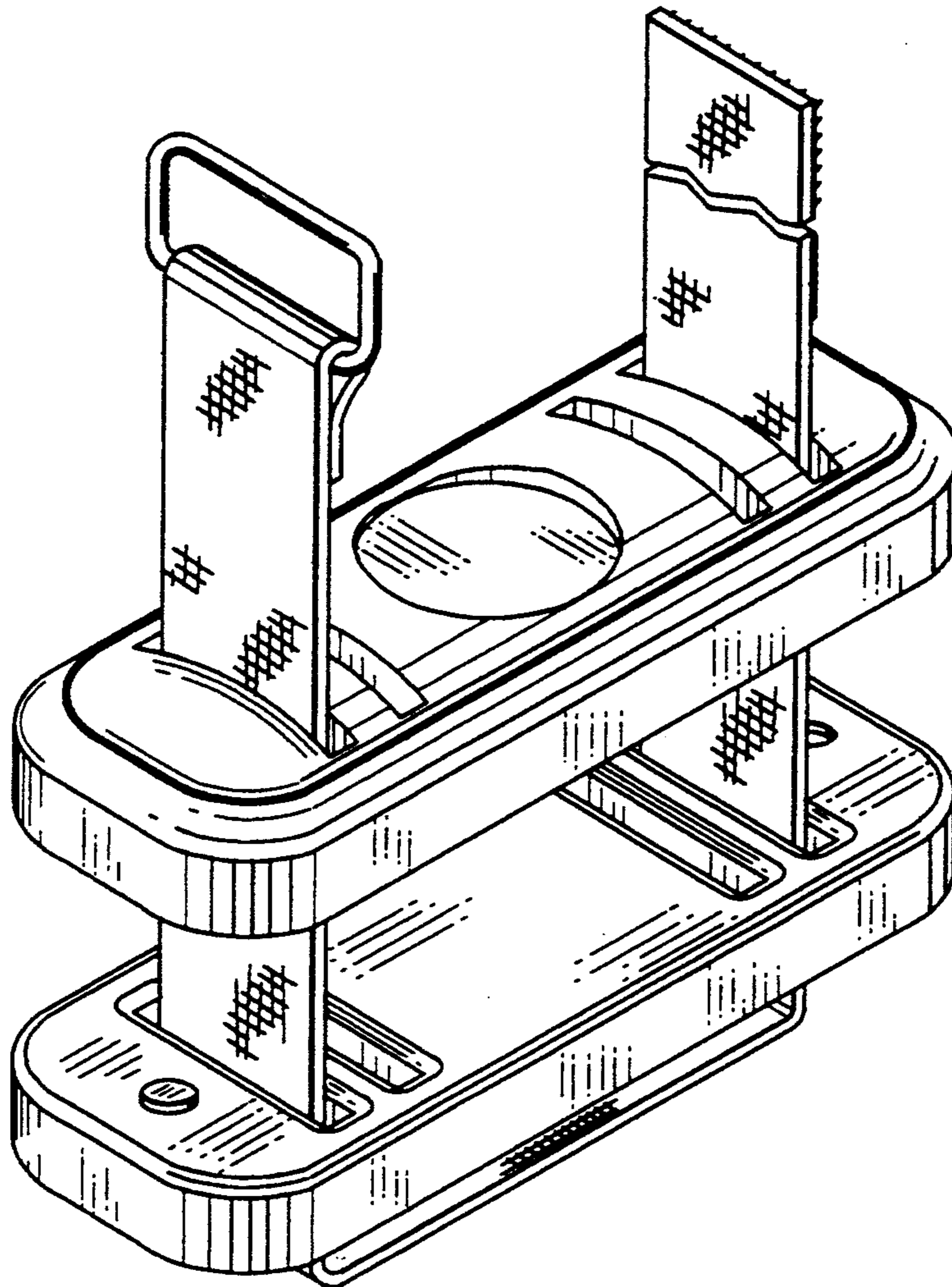


FIG. 1

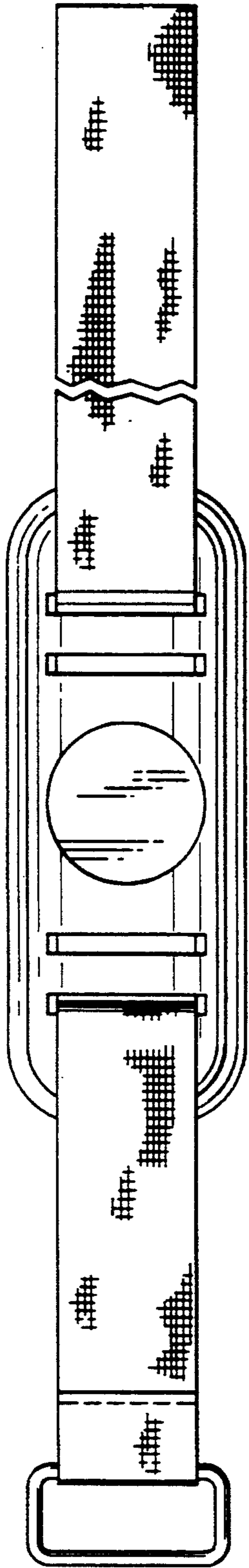


FIG. 2

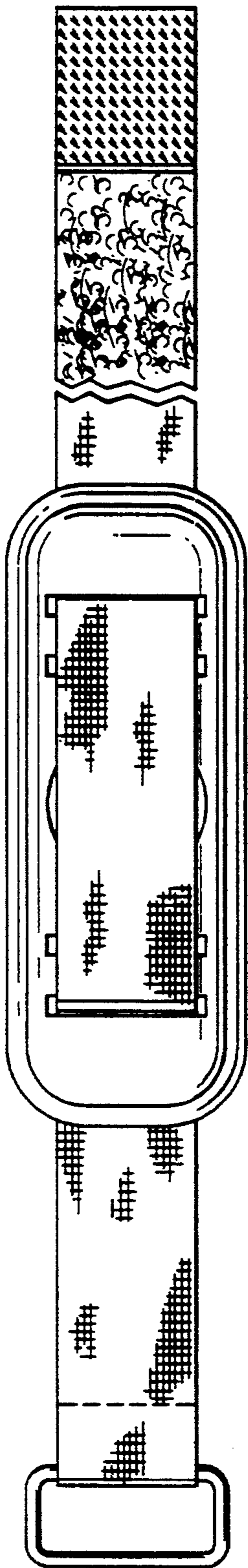
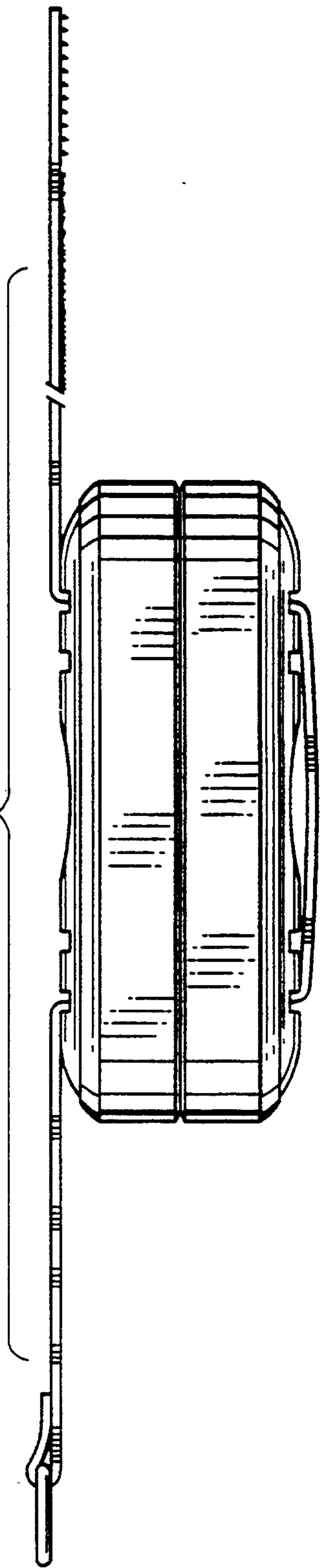


FIG. 3



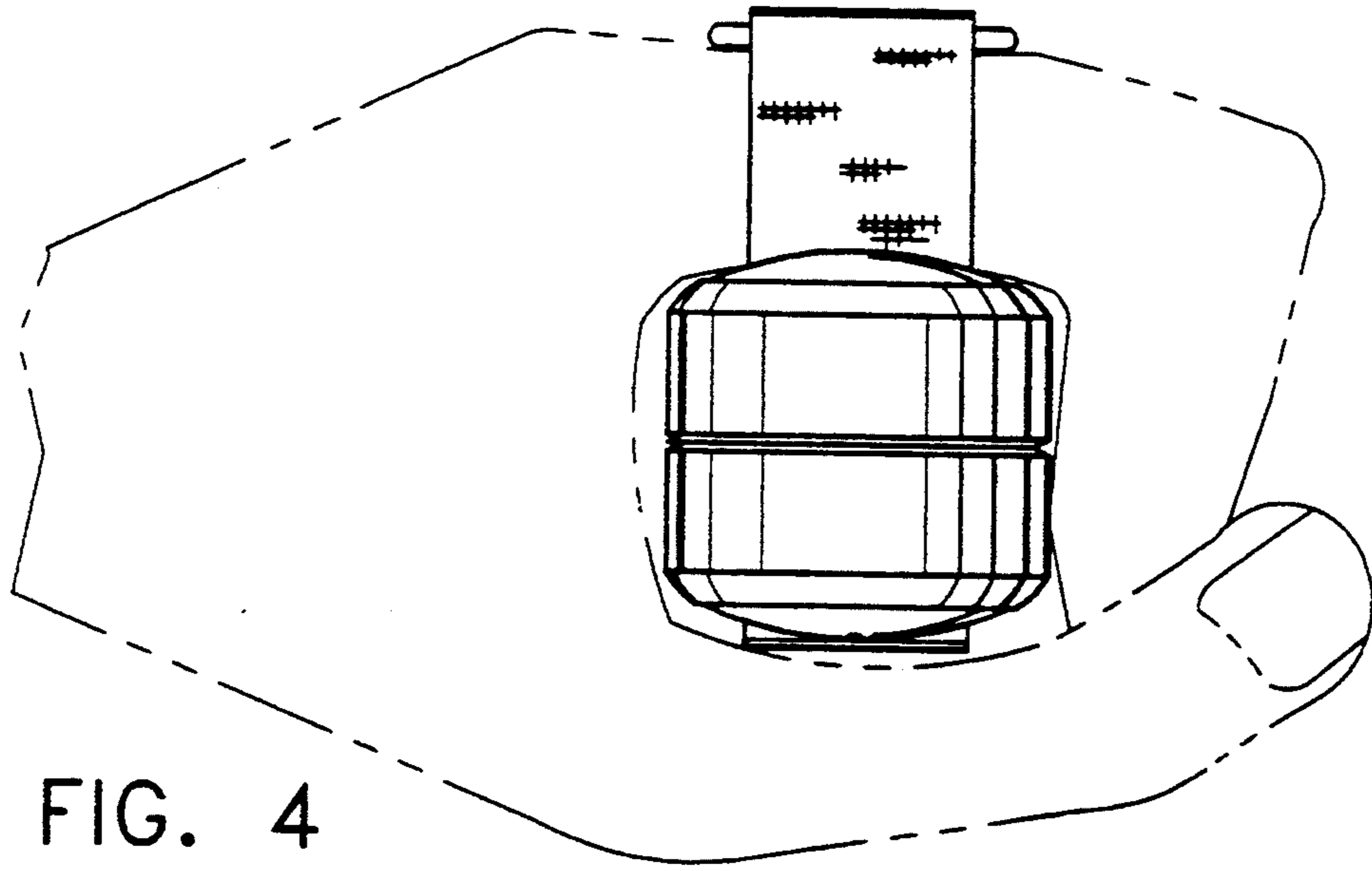


FIG. 4

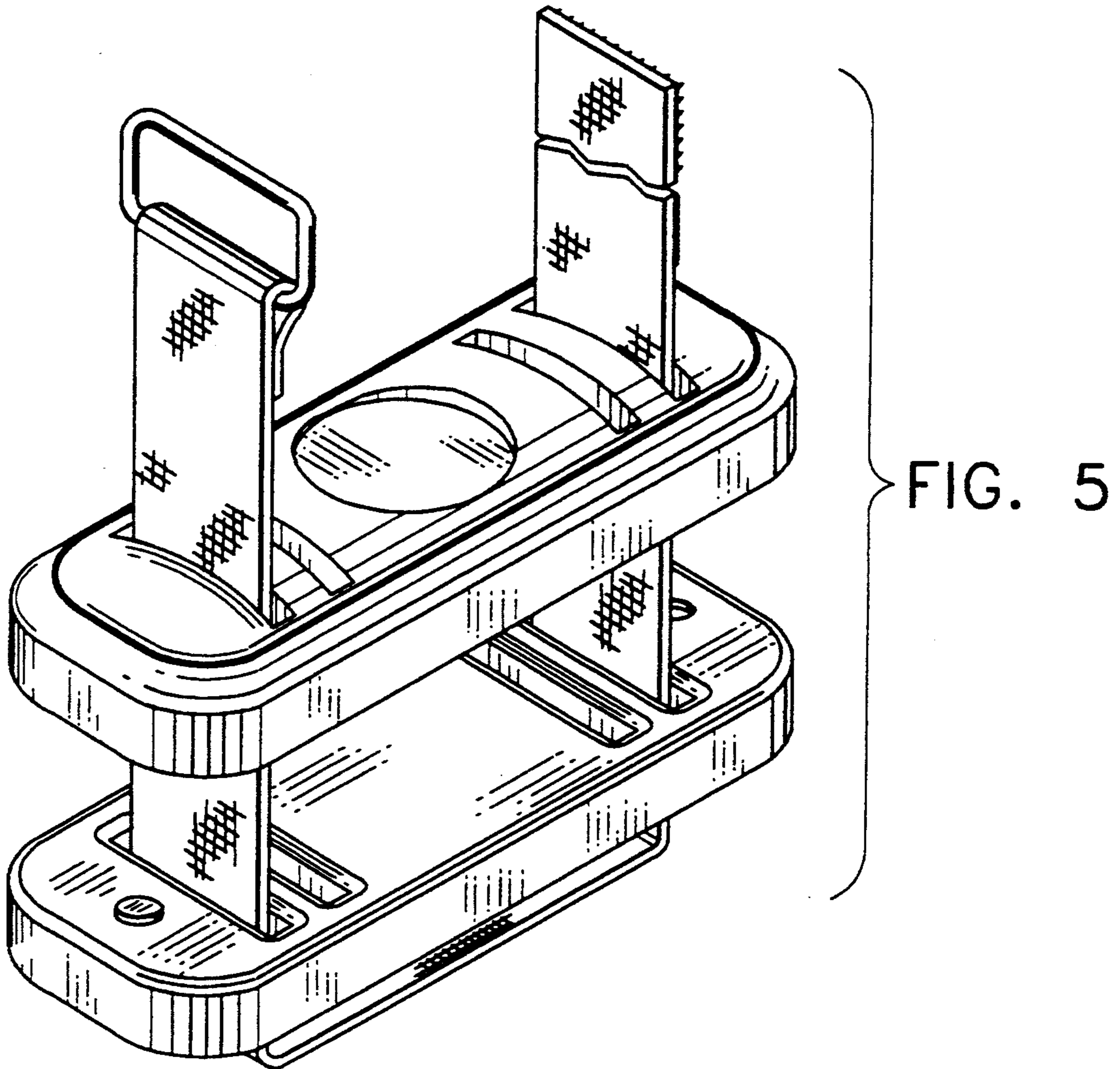


FIG. 5